

[54] HANGING FILE FOR PHOTOGRAPHIC SLIDES

[75] Inventors: James A. Truc, Wayzata, Minn.; Nils Lund-Nielsen, San Marcos, Calif.

[73] Assignee: Pakon, Inc., Minnetonka, Minn.

[\*\*] Term: 14 Years

[21] Appl. No.: 158,166

[22] Filed: Feb. 19, 1988

[52] U.S. Cl. .... D19/33

[58] Field of Search ..... D19/32, 33, 34, 28, D19/29, 26; 40/158.1, 159, 159.1, 333, 374; D3/35, 30.1; 206/455, 456; 281/45, 48, 51; D16/237, 246, 250

[56] References Cited

U.S. PATENT DOCUMENTS

D. 186,101	9/1959	Chase	.....	D19/26
D. 201,935	8/1965	Kelley	.....	D19/86
D. 268,348	3/1983	Beleckis	.....	D19/32 X
1,956,527	4/1934	DeGroot	.....	D19/33 X
2,291,173	8/1941	Simpson	.....	229/92.8
2,779,116	1/1957	Smith	.....	D19/26 X
3,216,581	11/1965	Church	.....	402/500 X
4,193,218	3/1980	Mermelstein	.....	40/374

FOREIGN PATENT DOCUMENTS

1278389	of 1961	France	.....	D19/33 X
2077186	12/1981	United Kingdom	.....	D19/33

OTHER PUBLICATIONS

*Highsmith*, 1985/86, p. 254, Element A.  
 Labogken Co., Ltd., circular entitled, "Film Sleever (Film Cutting Inserter)", 2 sheets.  
 Picture Pocket Corporation, brochure entitled, "The Supermarket for Sleeving Material", 4 pages.  
 Plastikan Corporation, circular entitled, "Organize Your Slides, Transparencies, Prints and Negatives in Plastikan Vinyl Pages", 2 sheets.  
 Plastikan Corporation, circular entitled, "Plastikan Slide Frames Twenty Slides at a Glance", 1 sheet.  
 Photo Plastic Products, Inc., circular entitled, "Print File", 2 sheets.  
 Vue-All, Inc., circular entitled, "Top Load Heavy-weight 2x2 Slide Page Format", 1 sheet.  
 Vue-All, Inc., circular entitled, "Slide Load Heavy-weight 2x2 Slide Page Format", 1 sheet.

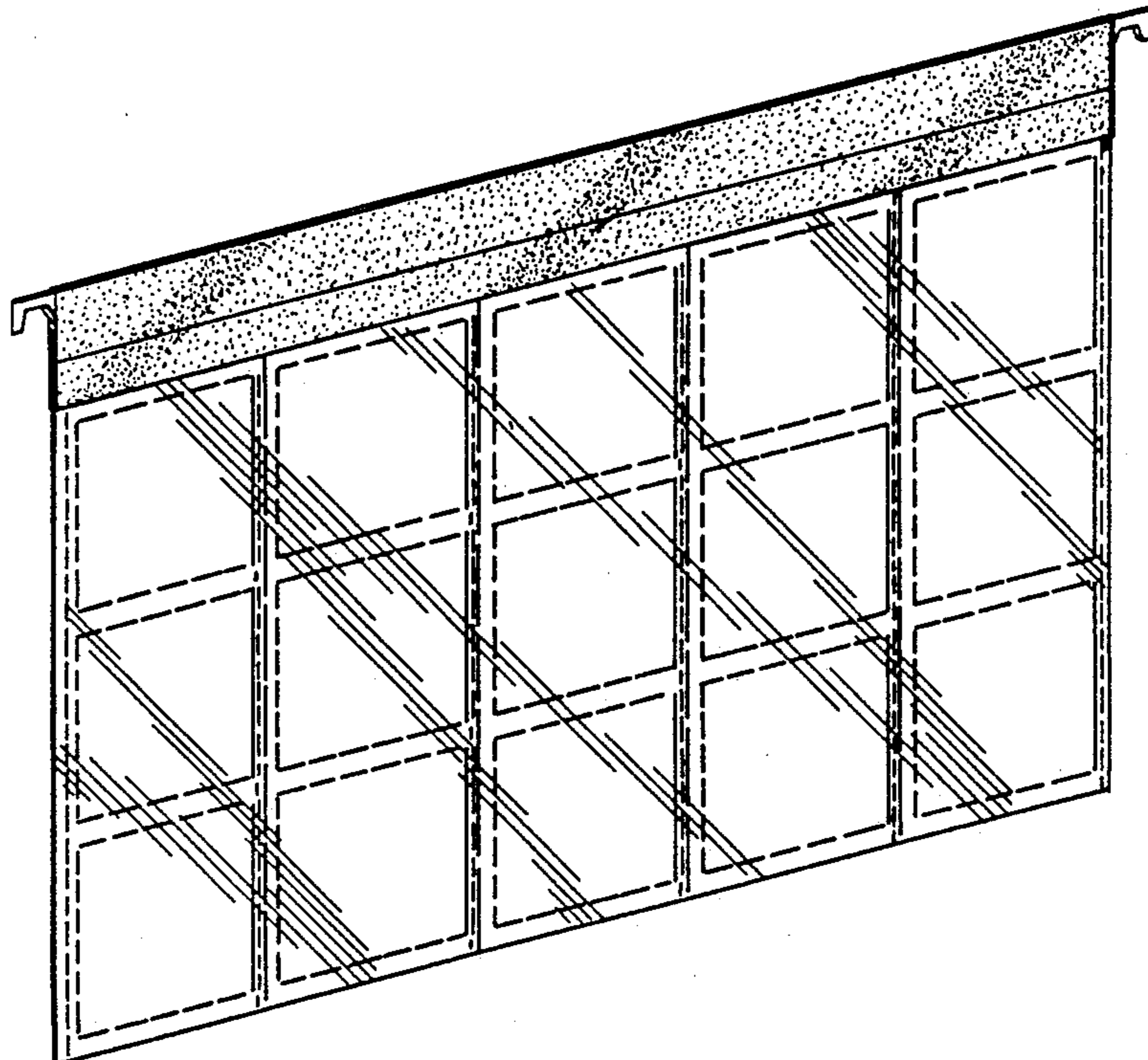
*Primary Examiner*—Wallace R. Burke  
*Assistant Examiner*—P. Schmidt  
*Attorney, Agent, or Firm*—Kinney & Lange

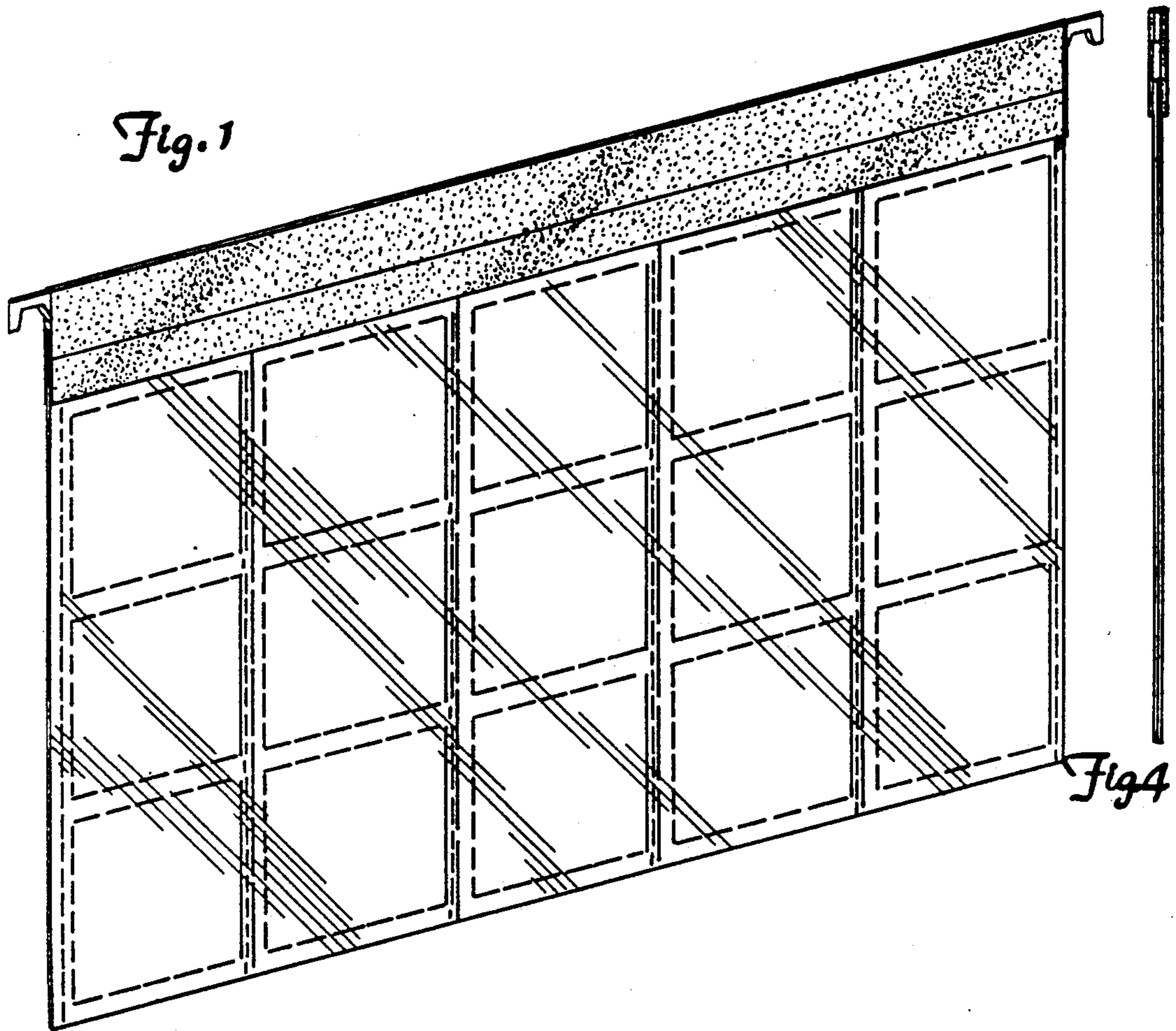
[57] CLAIM

The ornamental design for a hanging file for photographic slides, as shown and described.

DESCRIPTION

FIG. 1 is a front perspective view of a hanging photographic slide storage file showing our new design; FIG. 2 is a top plan view thereof; FIG. 3 is a bottom plan view thereof; and FIG. 4 is a side elevational view thereof, the undisclosed side being the same.  
 The broken lines shown in FIG. 1 represent a design pattern which forms a part of the claimed design.





*Fig. 2*



*Fig. 3*