

[54] CHILD'S ART BOX

[76] Inventor: Kevin M. Kennedy, 1309 Cook Ave., Lakewood, Ohio 44107

[\*\*] Term: 14 Years

[21] Appl. No.: 146,795

[22] Filed: Jan. 22, 1988

[52] U.S. Cl. .... D19/35; D19/75; D19/77

[58] Field of Search ..... D21/59, 126, 127; D19/35, 36, 52, 59, 75, 77, 78, 86, 83, 92, 100; 206/214, 215, 425, 371; 434/85

[56] References Cited

U.S. PATENT DOCUMENTS

D. 90,769	9/1933	Kamen	.....	D19/52
D. 200,881	4/1965	Anderson	.....	D19/35 X
D. 232,231	7/1974	Langieri	.....	D19/52 X
D. 247,441	3/1978	Kroll	.....	D19/36
D. 257,994	1/1981	Kroll	.....	D19/52 X
D. 262,728	1/1982	Kroll	.....	D21/59
D. 262,899	2/1982	Kroll	.....	D19/59 X
D. 264,232	5/1982	Lang	.....	D21/59
D. 279,482	7/1985	Mak	.....	D21/59

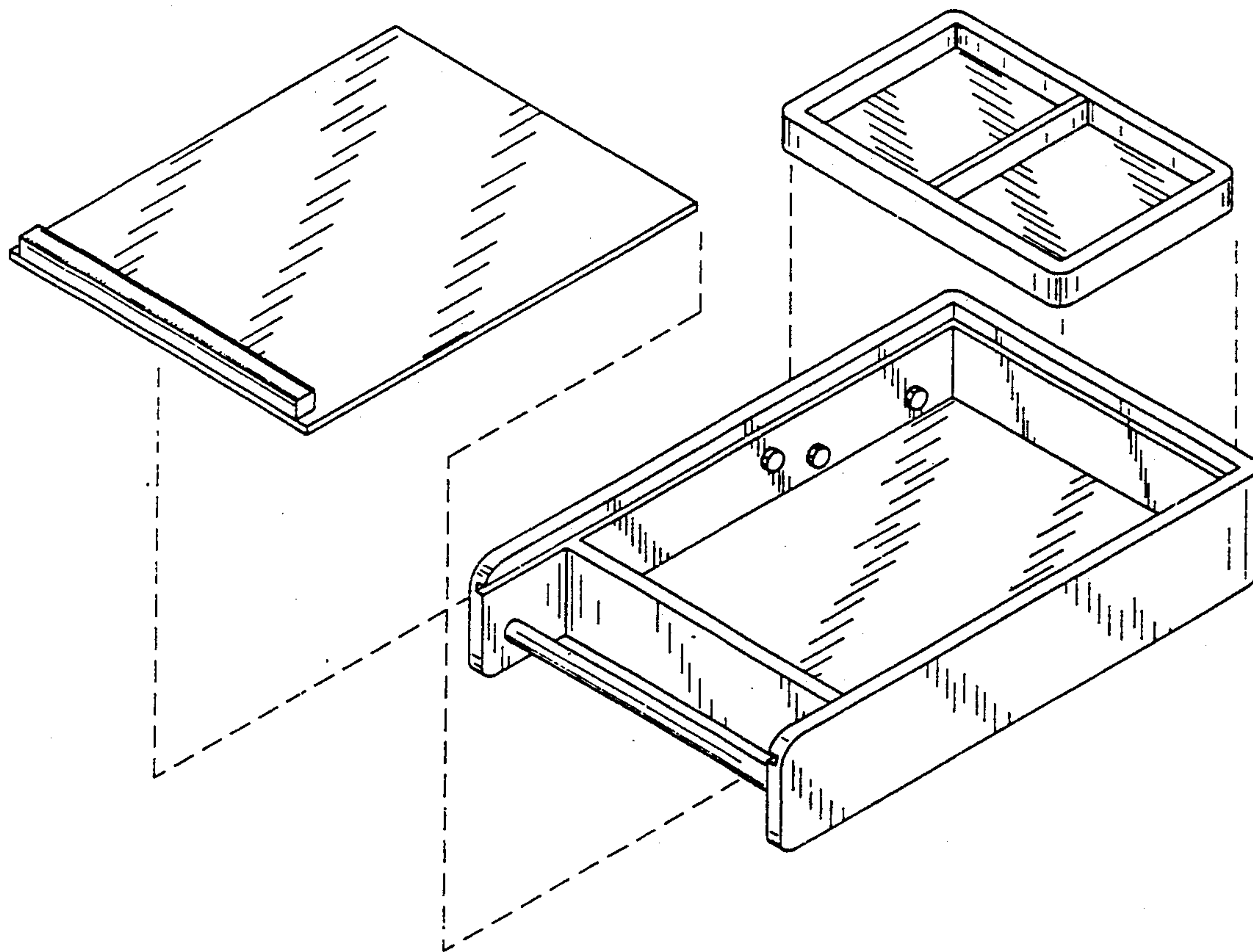
Primary Examiner—Bruce W. Dunkins  
Assistant Examiner—Martha Thompson  
Attorney, Agent, or Firm—James H. Tilberry

[57] CLAIM

The ornamental design for a child's art box, as shown and described.

DESCRIPTION

FIG. 1 is a top front perspective view of a child's art box showing my new design;  
 FIG. 2 is a top front perspective view in an exploded condition;  
 FIG. 3 is a top plan view;  
 FIG. 4 is a bottom plan view;  
 FIG. 5 is a rear elevational view;  
 FIG. 6 is a front elevational view;  
 FIG. 7 is a right side elevational view, the left side being a mirror image thereof;  
 FIG. 8 is a top plan view with the cover member removed for convenience of illustration;  
 FIG. 9 is a top plan view with the cover member and the tray removed for convenience of illustration; and  
 FIG. 10 is a cross-sectional view taken in the direction of arrows 10—10 in FIG. 8.



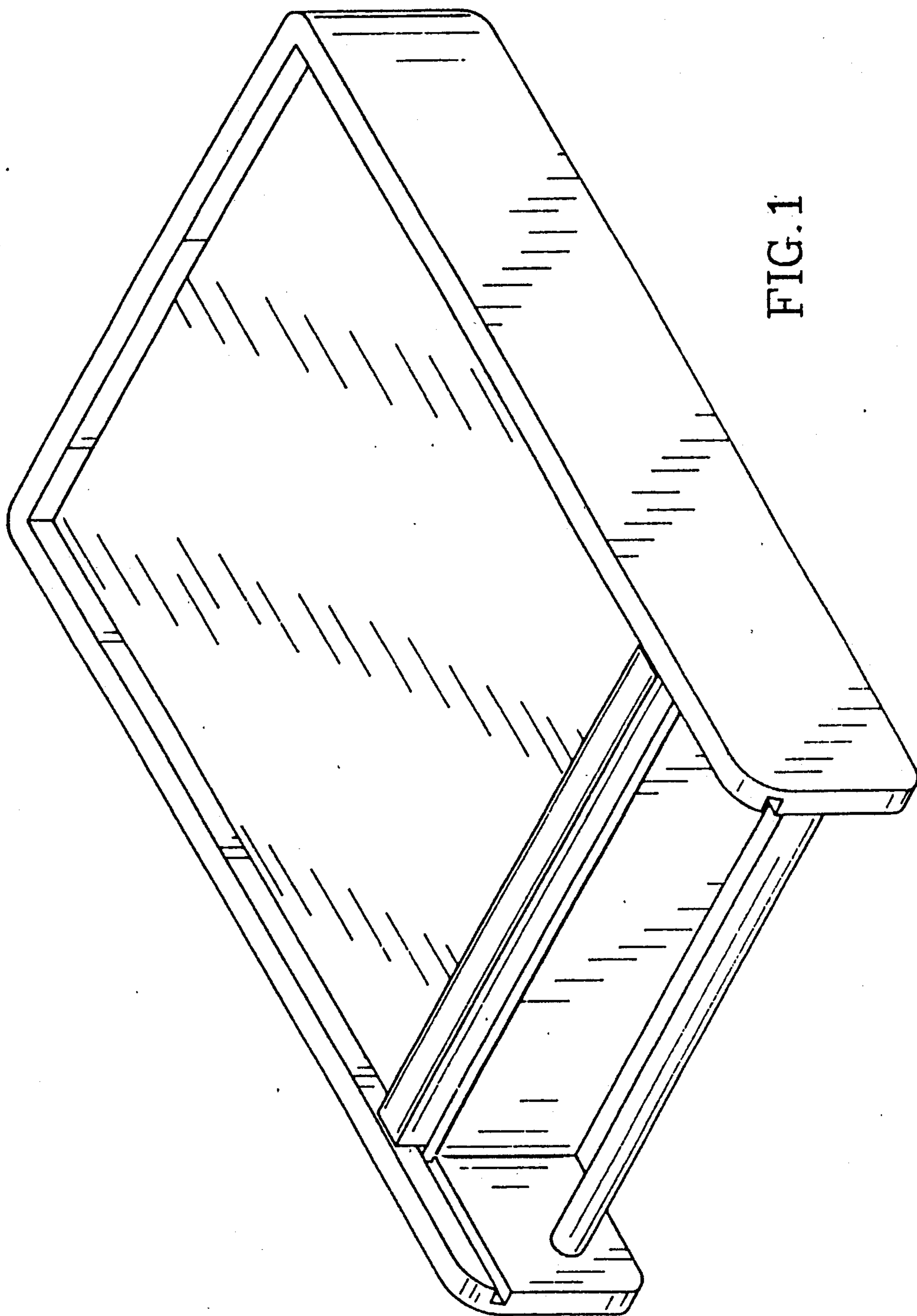


FIG. 1

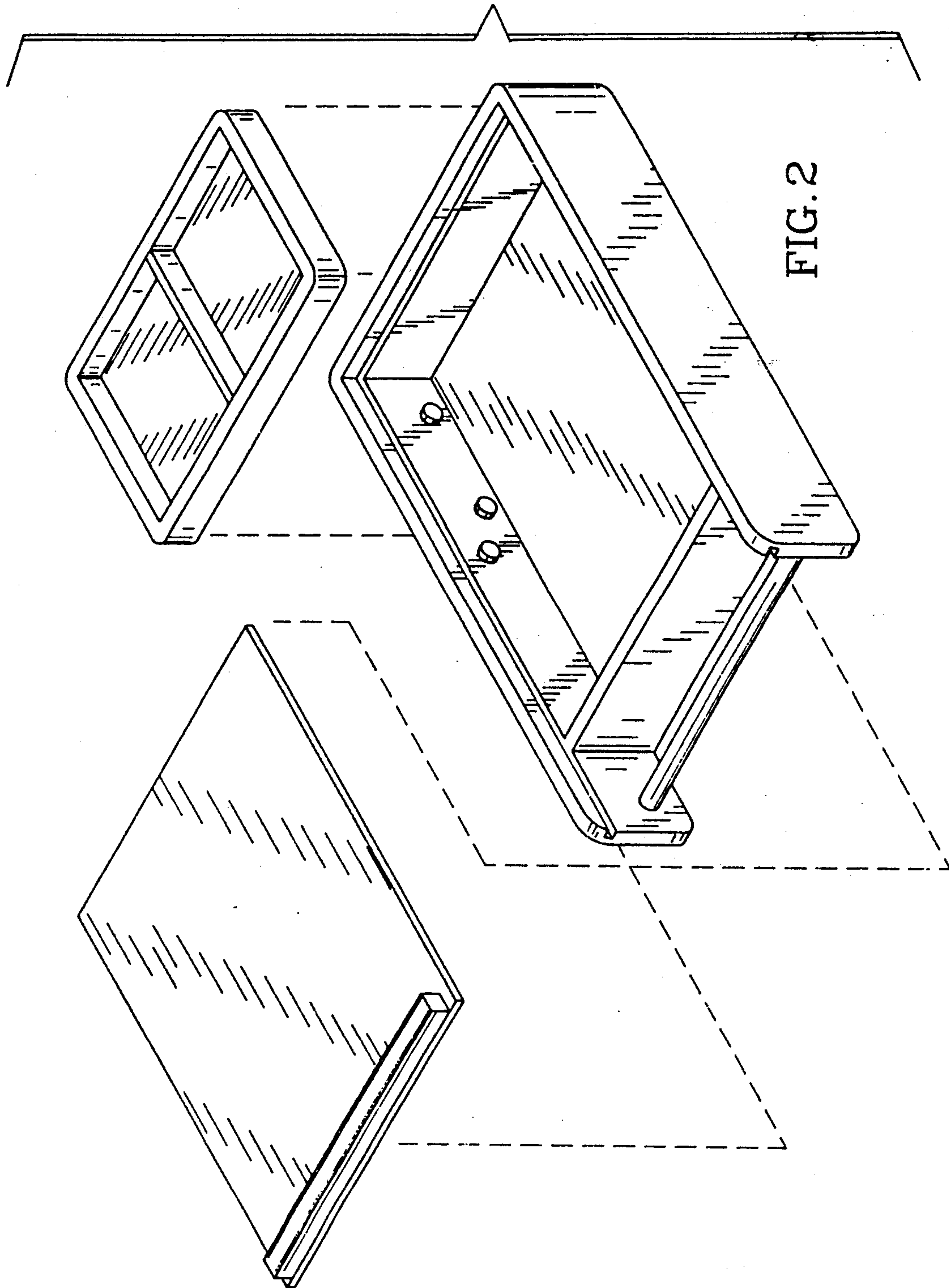


FIG. 2



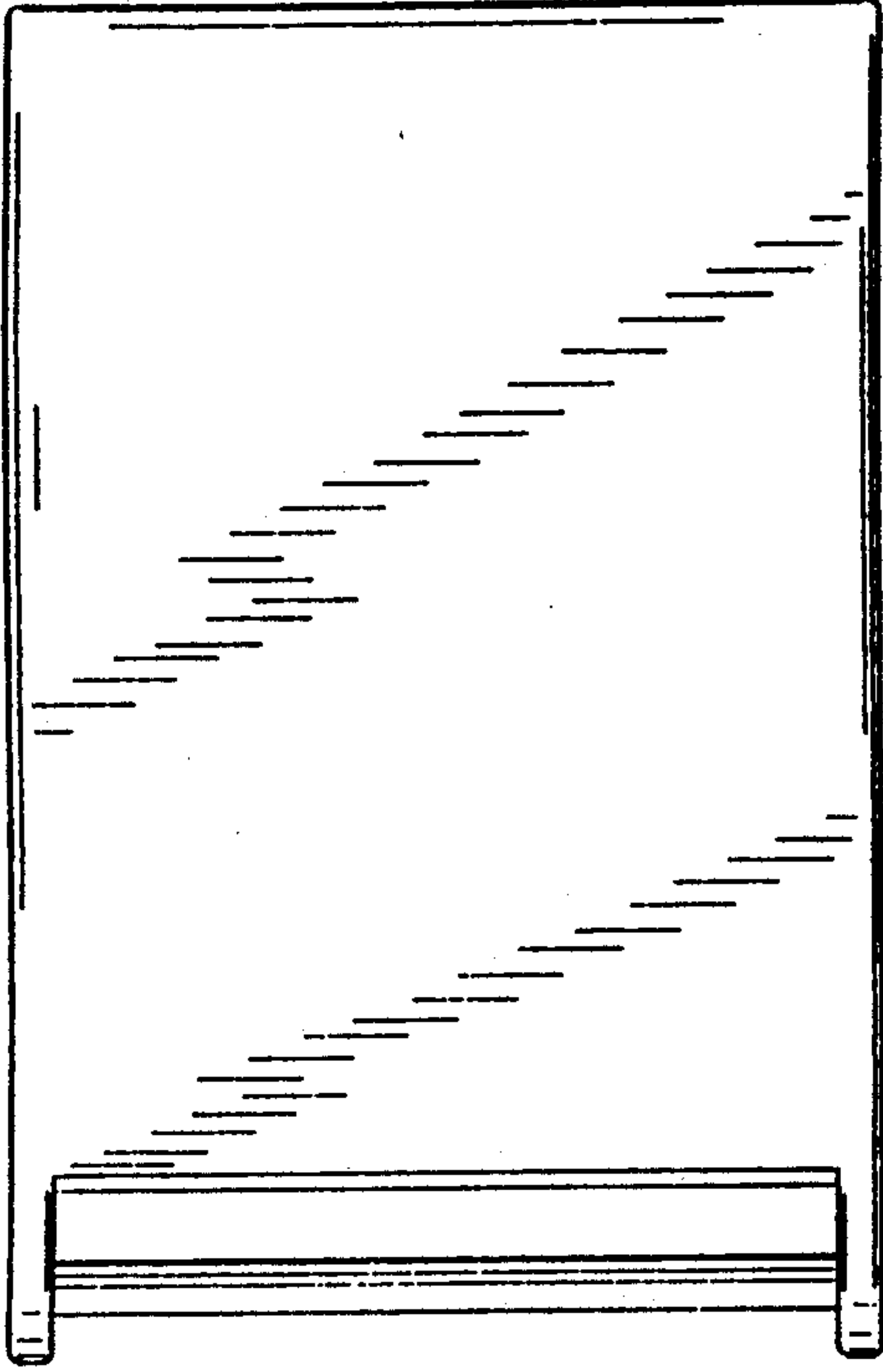


FIG. 4

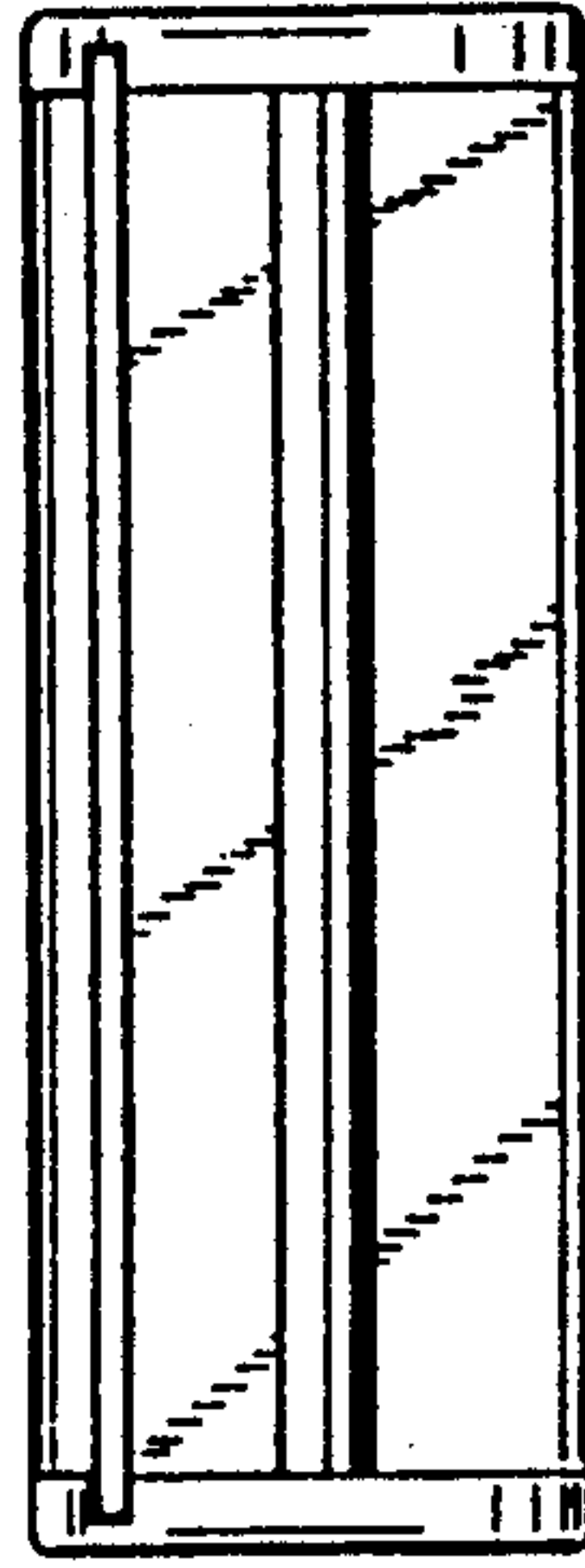


FIG. 6

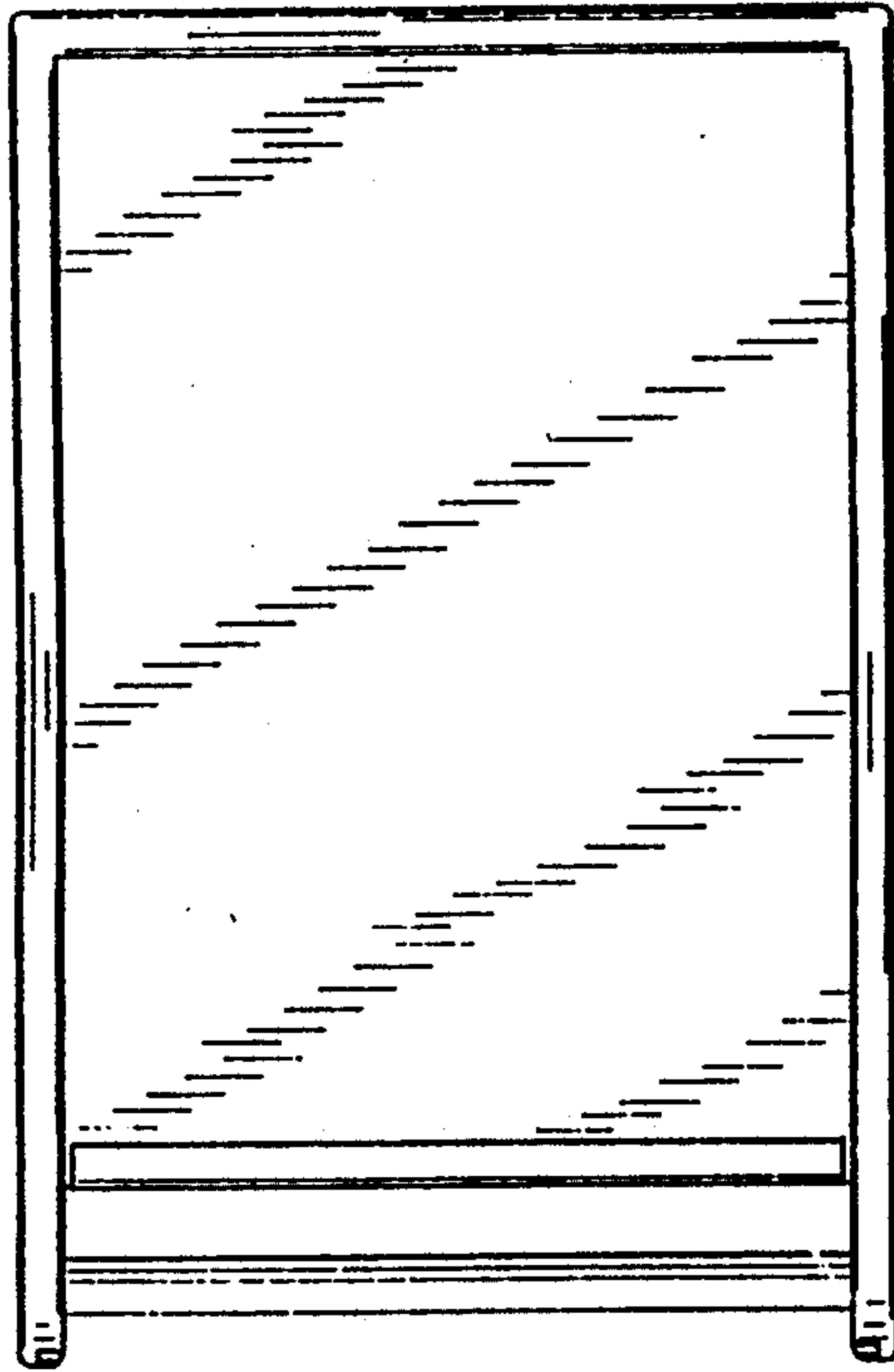


FIG. 3

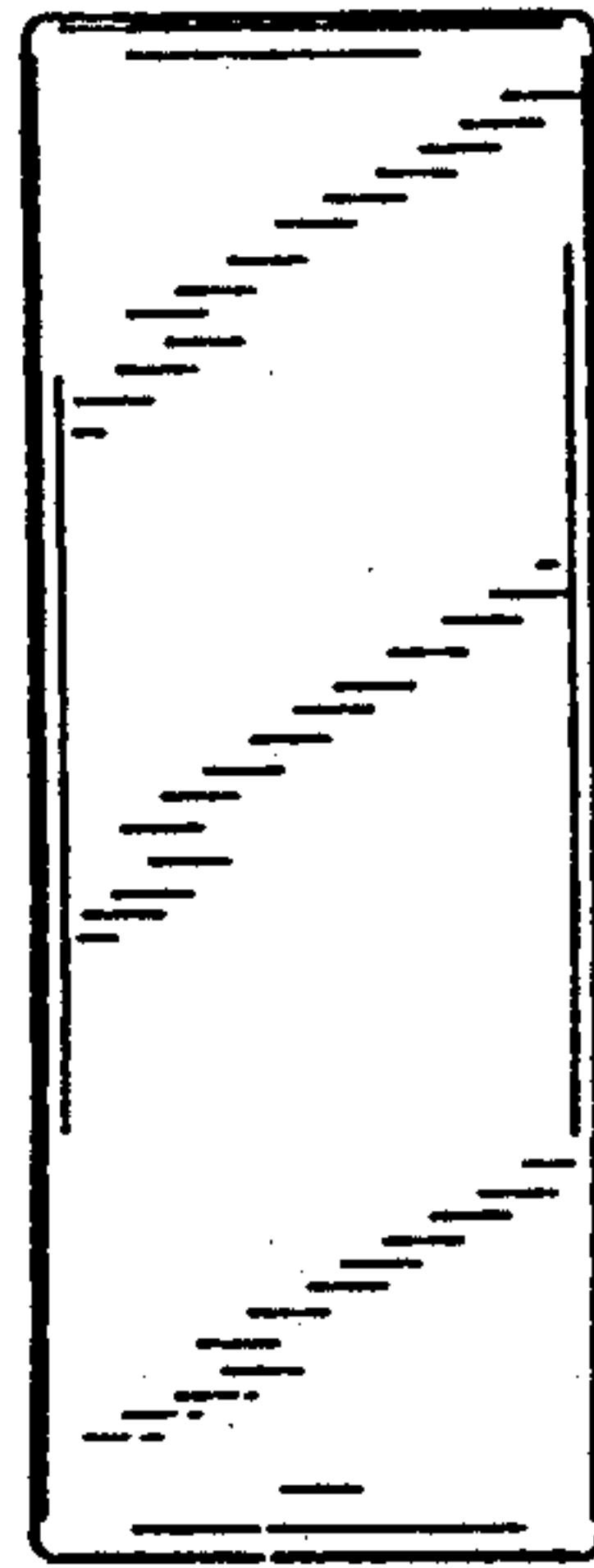


FIG. 5

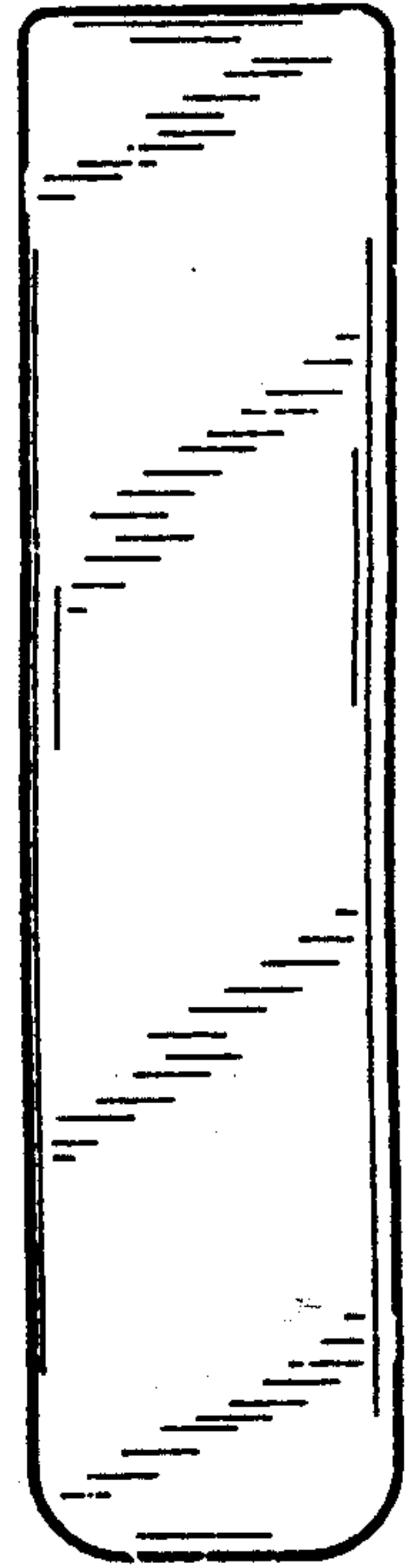


FIG. 7

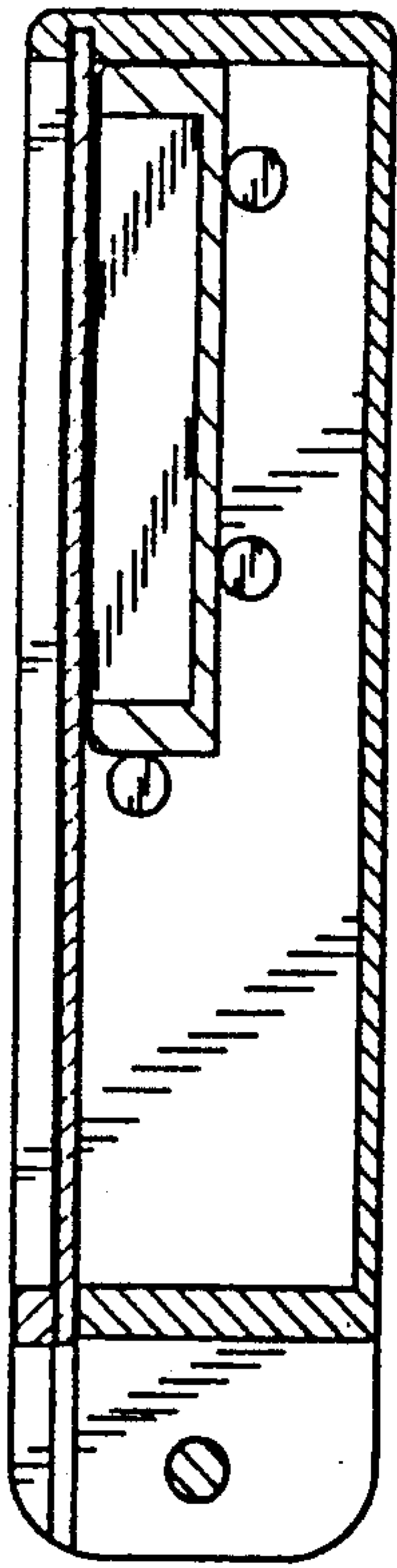


FIG. 10

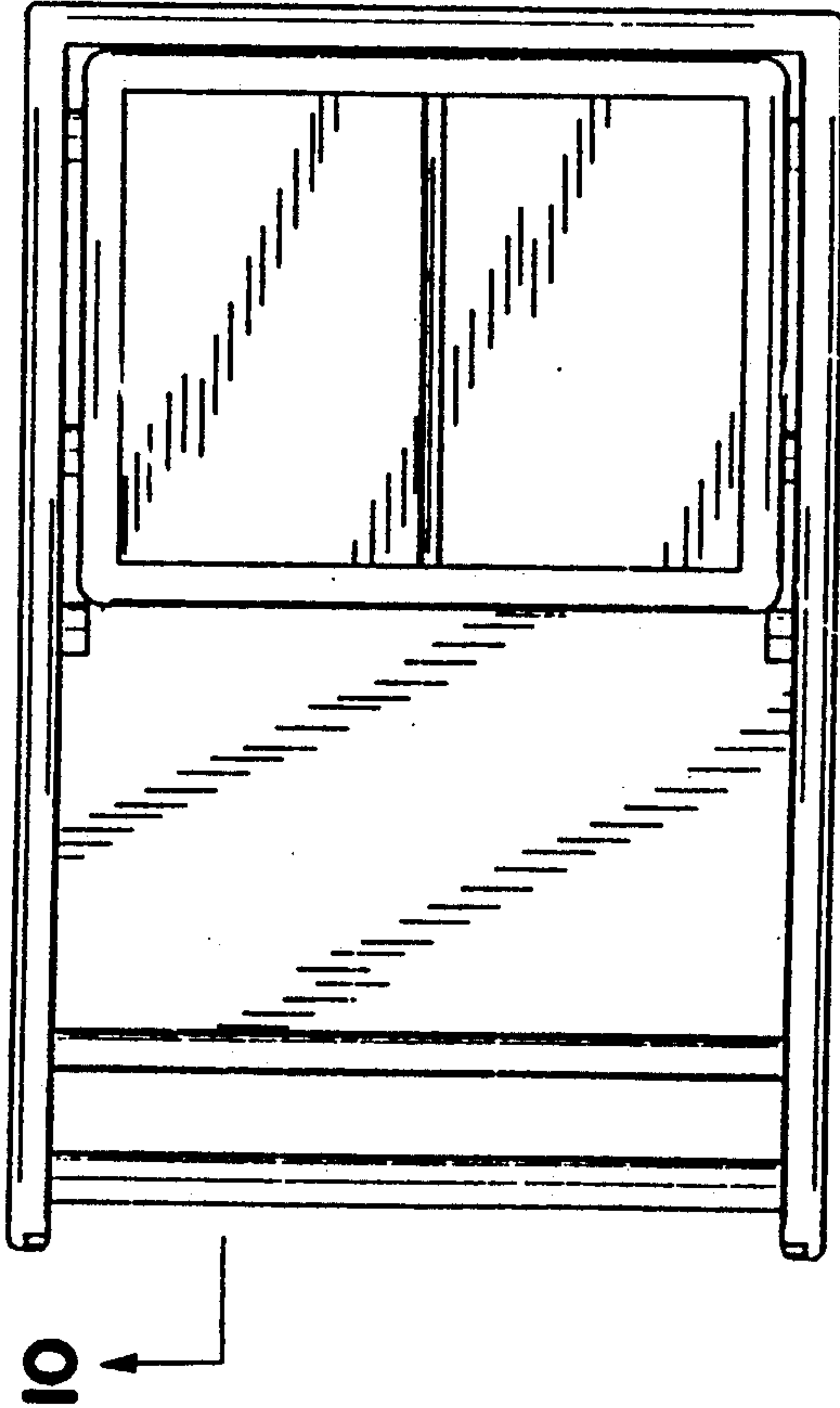


FIG. 8

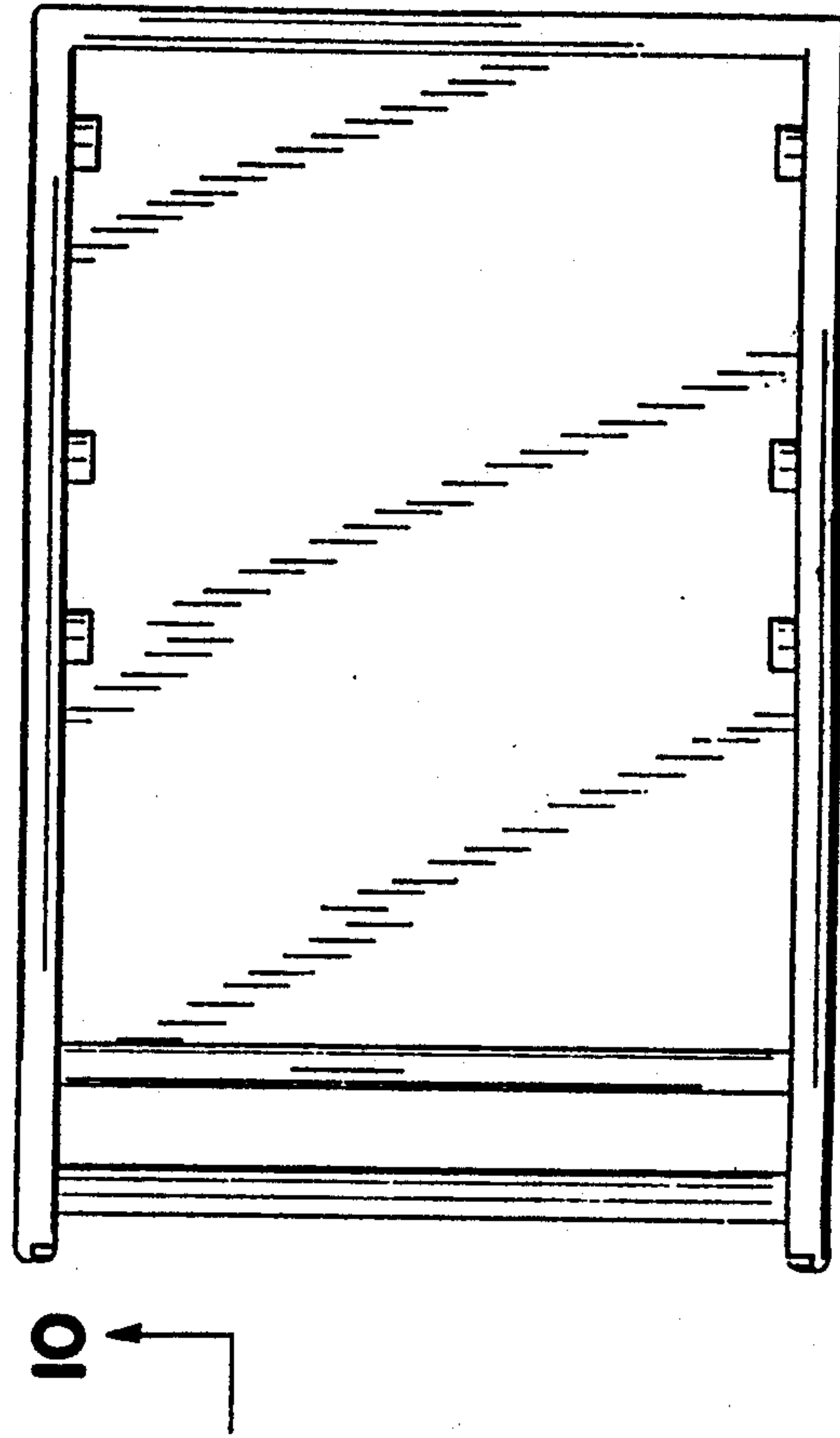


FIG. 9