

# United States Patent [19]

Hikawa et al.

[11] Patent Number: **Des. 318,485**

[45] Date of Patent: **\*\* Jul. 23, 1991**

[54] **ELECTROSTATIC COPYING MACHINE**

[75] Inventors: **Koji Hikawa, Tokyo; Yoko Nakamura, Kawasaki; Yuji Suzuki, Tokyo, all of Japan**

[73] Assignee: **Ricoh Company, Ltd., Tokyo, Japan**

[\*\*] Term: **14 Years**

[21] Appl. No.: **296,200**

[22] Filed: **Jan. 12, 1989**

[30] **Foreign Application Priority Data**

Jul. 13, 1988 [JP] Japan ..... 63-027993

[52] U.S. Cl. .... **D18/37**

[58] Field of Search ..... **D18/13, 36-39; D14/111, 112, 116, 118; 355/43-45, 49-51, 66, 112, 200, 210, 231, 233-236, 245; 358/400**

[56] **References Cited**

**U.S. PATENT DOCUMENTS**

- D. 251,912 5/1979 Nakade ..... D18/37
- D. 260,019 7/1981 Onoue et al. .... D18/37
- D. 270,452 9/1983 Sakurai ..... D18/37
- D. 280,633 9/1985 Saito ..... D18/37

- D. 283,330 4/1986 Masaki ..... D18/37
- D. 284,386 6/1986 Saito ..... D18/37
- D. 286,785 11/1986 Okuyama et al. .... D18/36
- D. 286,885 11/1986 Okuyama et al. .... D18/36
- D. 294,709 3/1988 Serbinski ..... D18/37
- D. 297,739 9/1988 Hashimoto et al. .... D18/37

*Primary Examiner*—Bruce W. Dunkins  
*Assistant Examiner*—Caron D. Veynar  
*Attorney, Agent, or Firm*—Oblon, Spivak, McClelland, Maier & Neustadt

[57] **CLAIM**

The ornamental design for electrostatic copying machine, as shown and described.

**DESCRIPTION**

FIG. 1 is a front and top-right perspective view of an electrostatic copying machine showing our new design; FIG. 2 is a rear and bottom-left perspective view thereof; FIG. 3 is a front elevational view thereof; FIG. 4 is a rear elevational view thereof; FIG. 5 is a left side elevational view thereof; FIG. 6 is a right side elevational view thereof; FIG. 7 is a top plan view thereof; and FIG. 8 is a bottom plan view thereof.

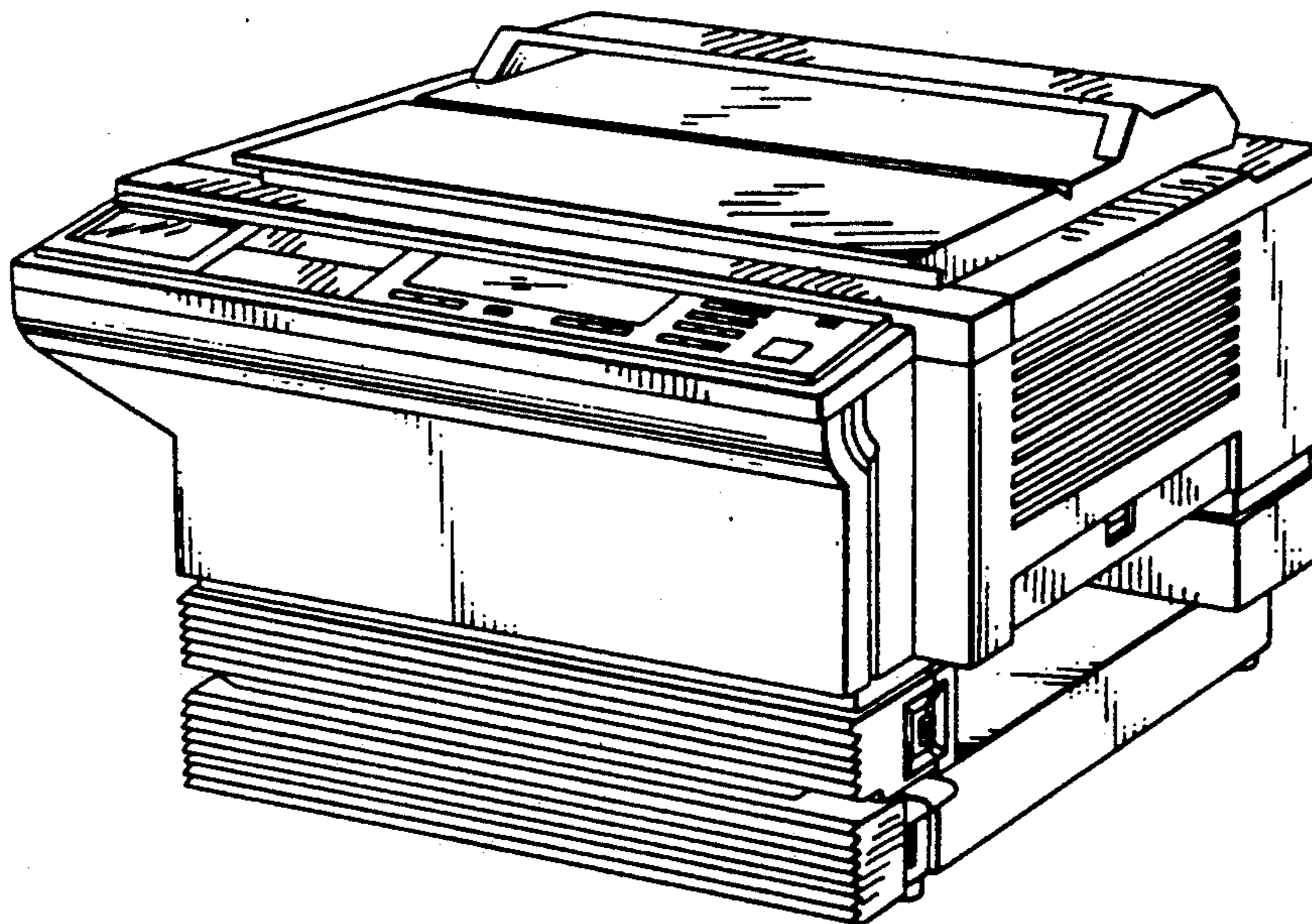


FIG. 1

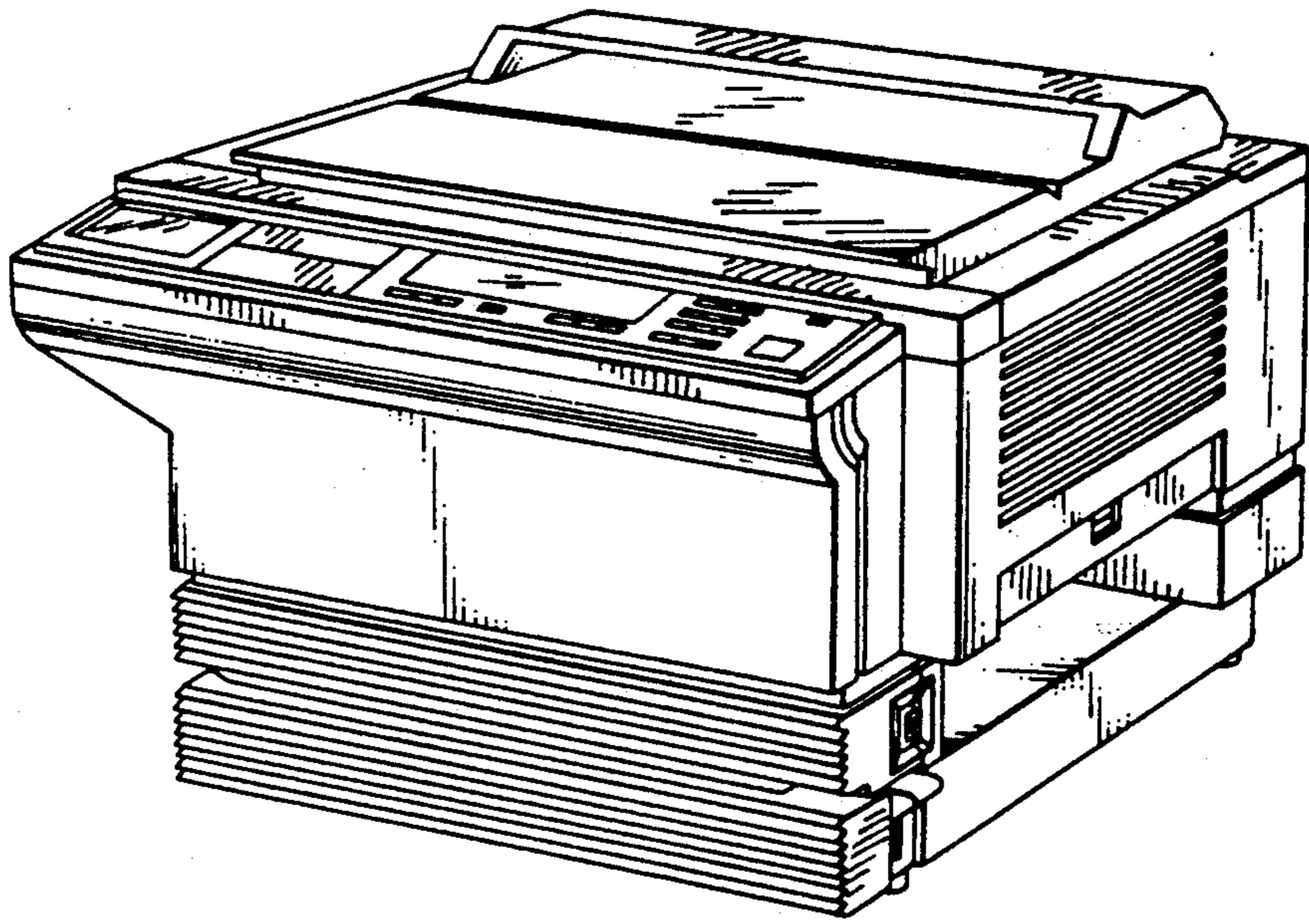


FIG. 2

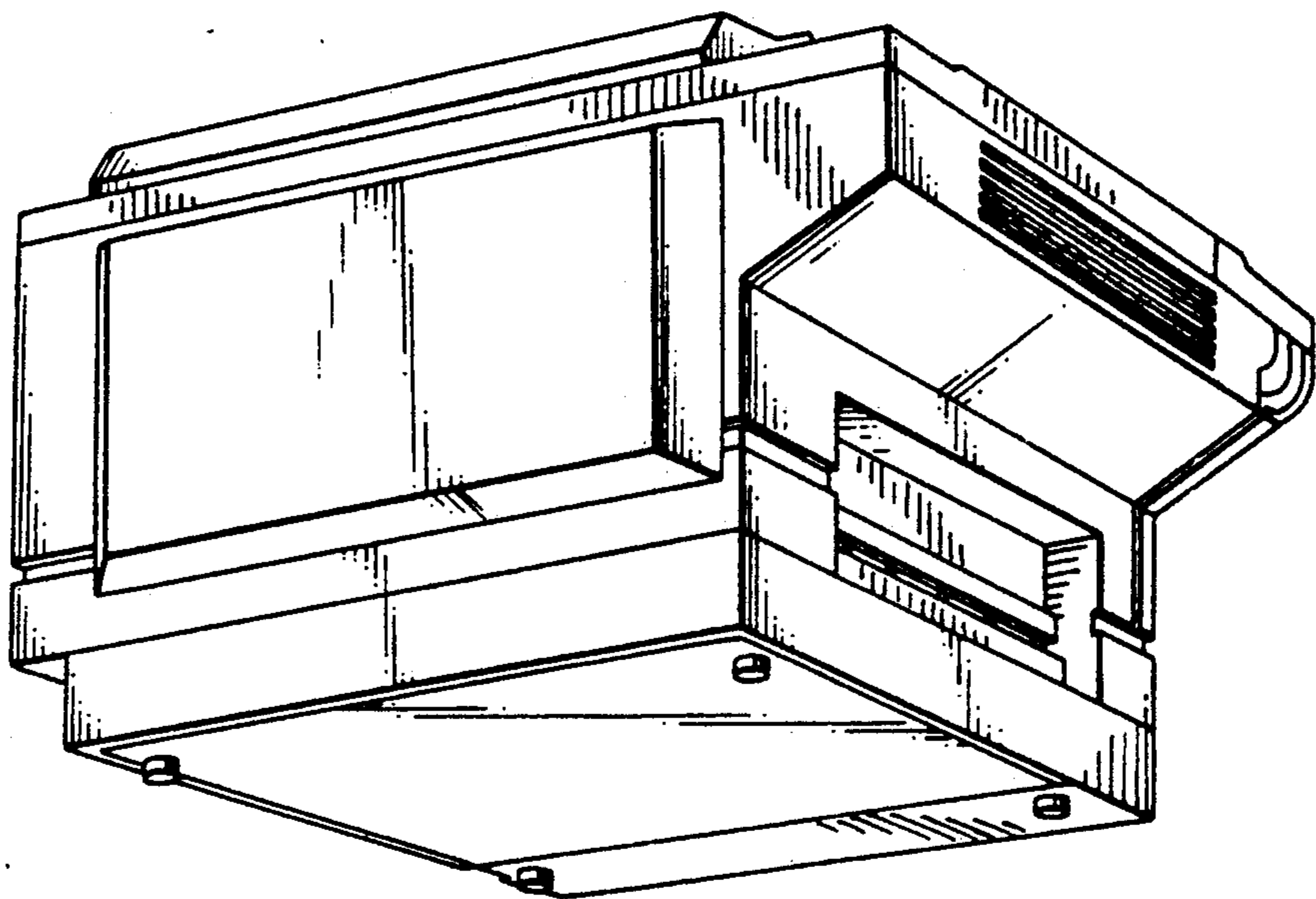


FIG. 4

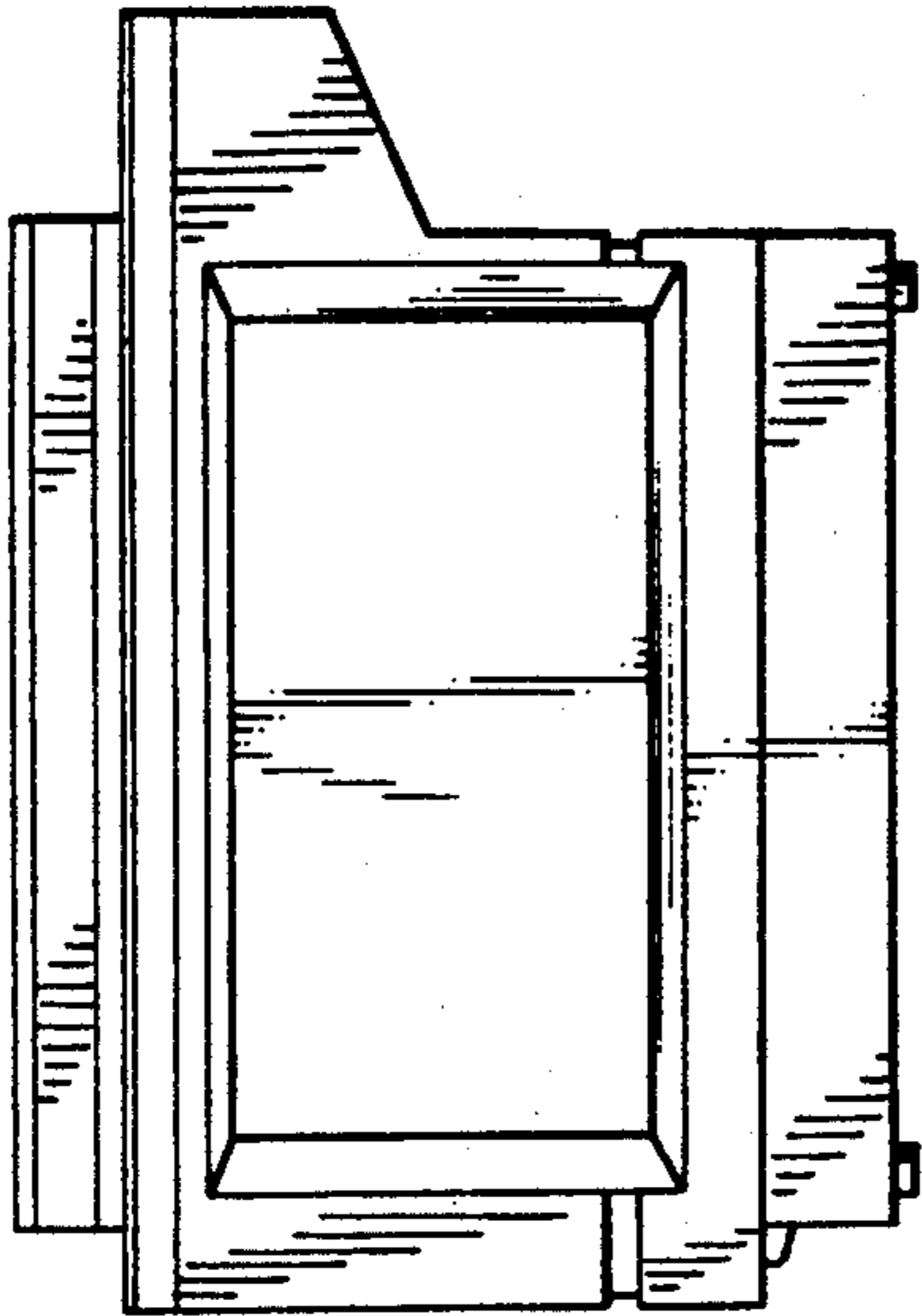


FIG. 6

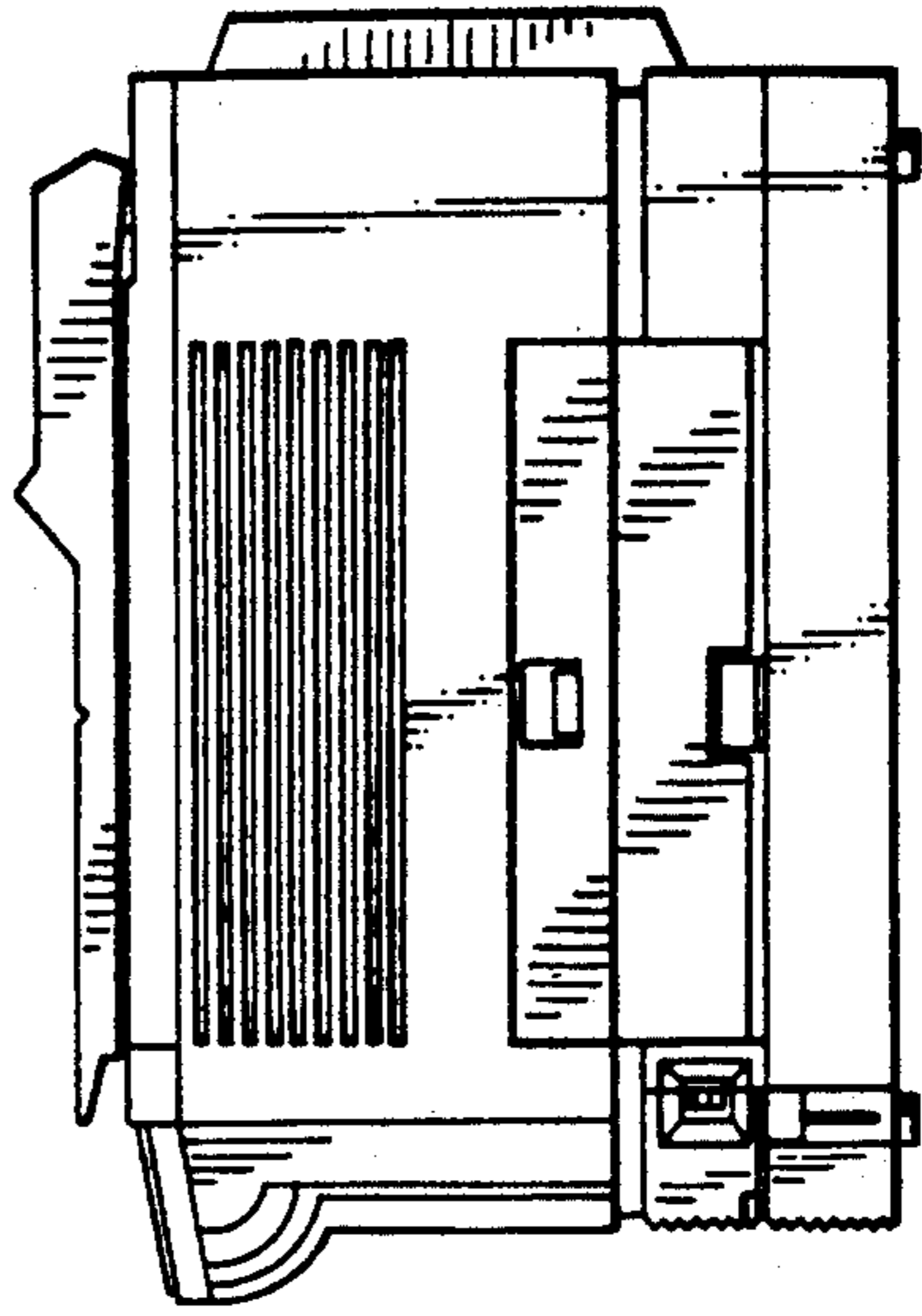


FIG. 3

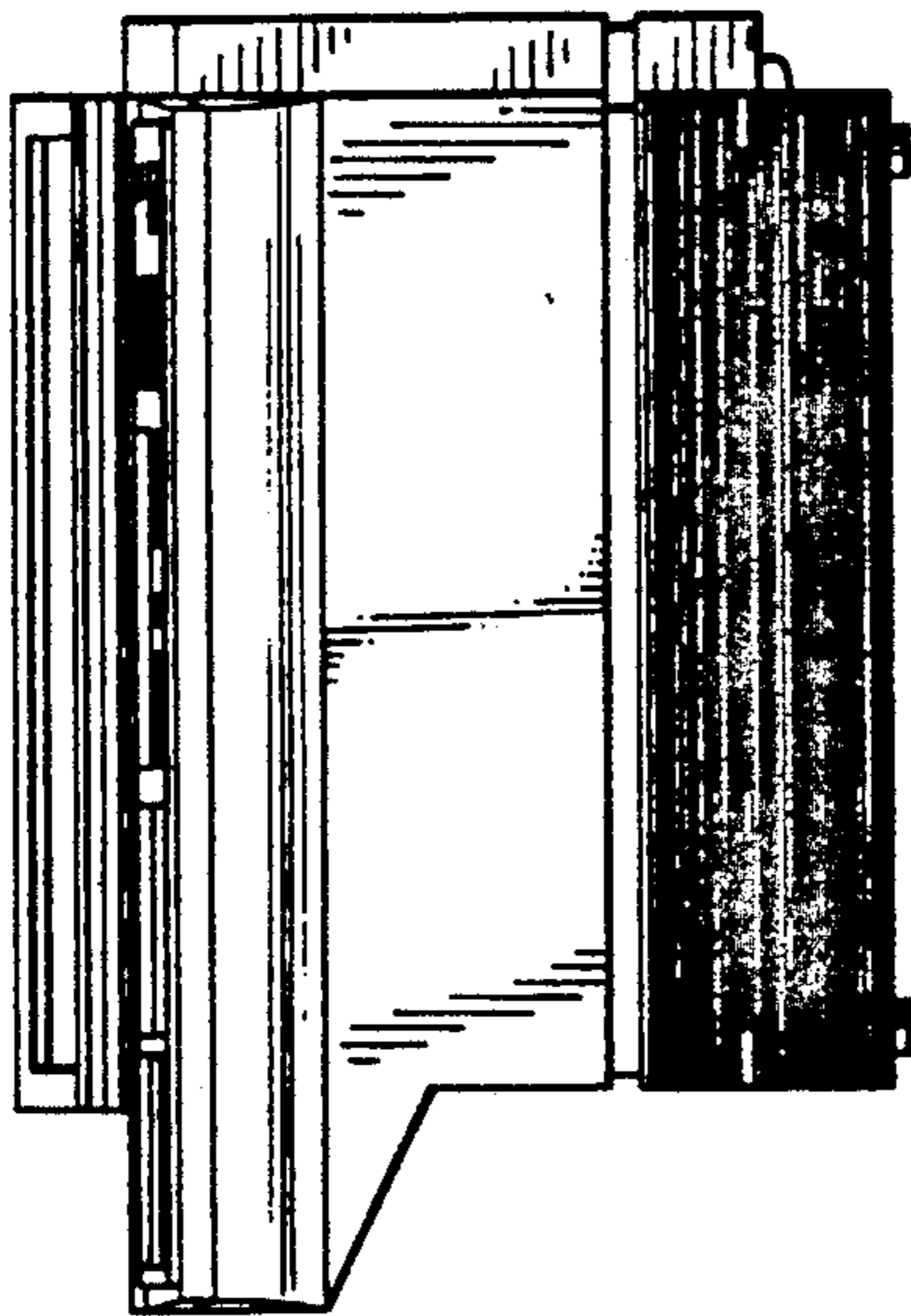


FIG. 5

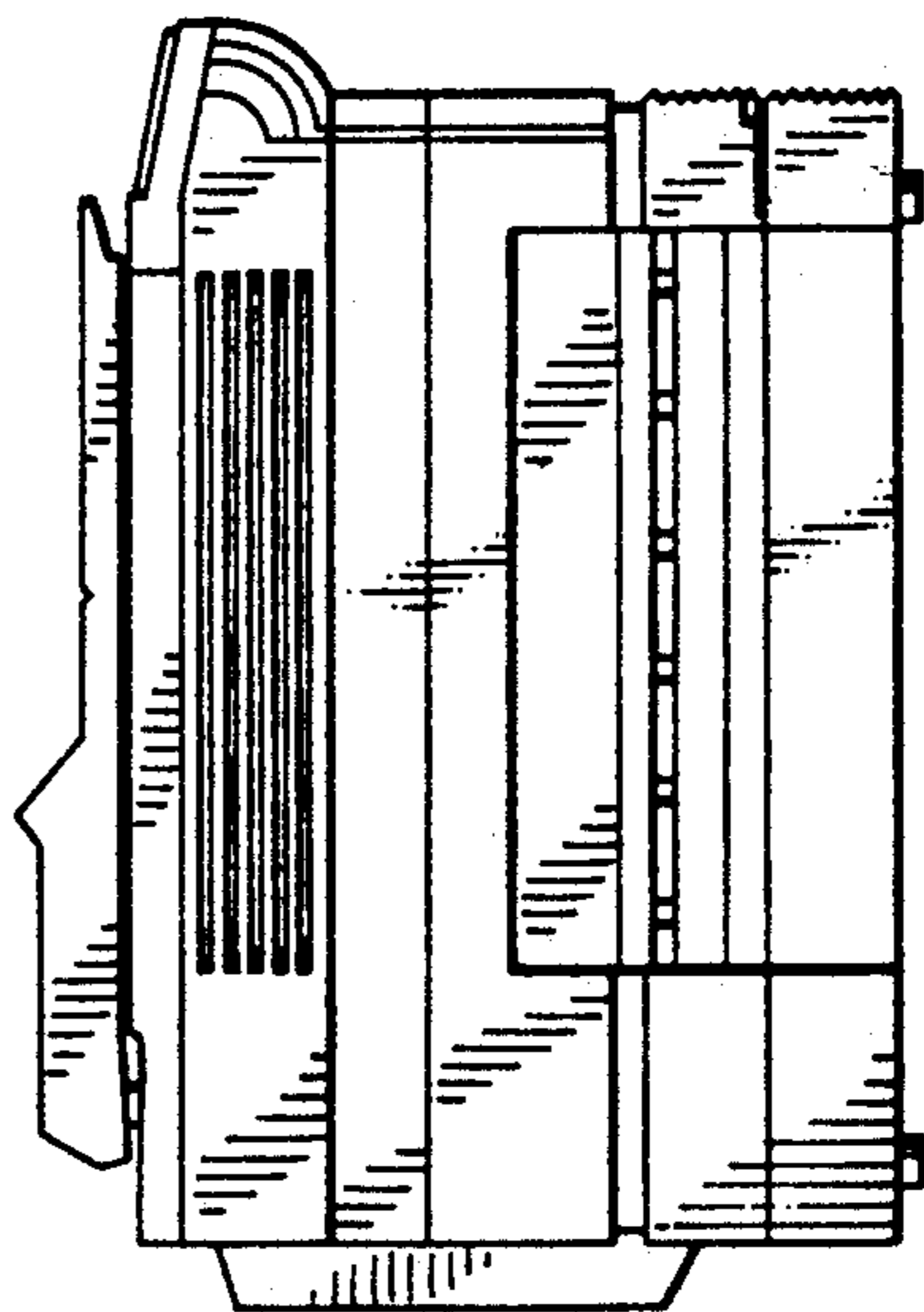


FIG. 7

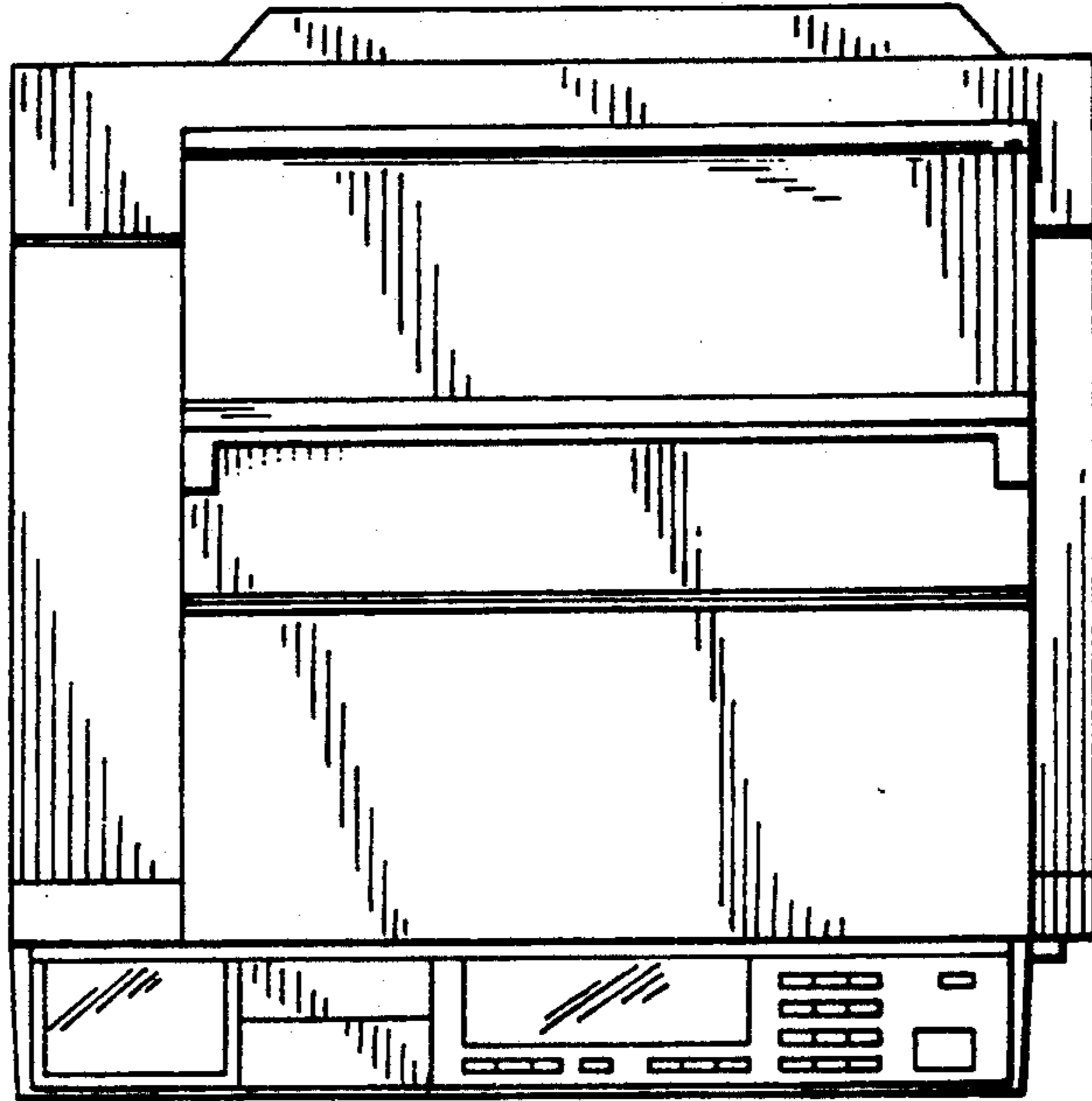


FIG. 8

