

[54] CAMERA WITH AN INTEGRAL ELECTRONIC FLASH

[75] Inventor: Wataru Nishiyama, Shiga, Japan

[73] Assignee: West Electric Co., Ltd., Osaka, Japan

[\*\*] Term: 14 Years

[21] Appl. No.: 322,828

[22] Filed: Mar. 9, 1989

[52] U.S. Cl. .... D16/209

[58] Field of Search ..... D16/200-213, D16/216-218; 354/126, 149.11, 187, 202, 288

[56] References Cited

U.S. PATENT DOCUMENTS

D. 271,881	12/1983	Kato	.....	D16/209
D. 290,464	6/1987	Kato	.....	D16/209
D. 295,527	5/1988	Soda et al.	.....	D16/209
D. 296,215	6/1988	Hansen	.....	D16/209
D. 306,307	2/1990	Suyama et al.	.....	D16/209

OTHER PUBLICATIONS

35 mm Photography, 9/85, p. 59 (Ricoh FF70).

Primary Examiner—Bernard Ansher

Assistant Examiner—Adir Aronovich

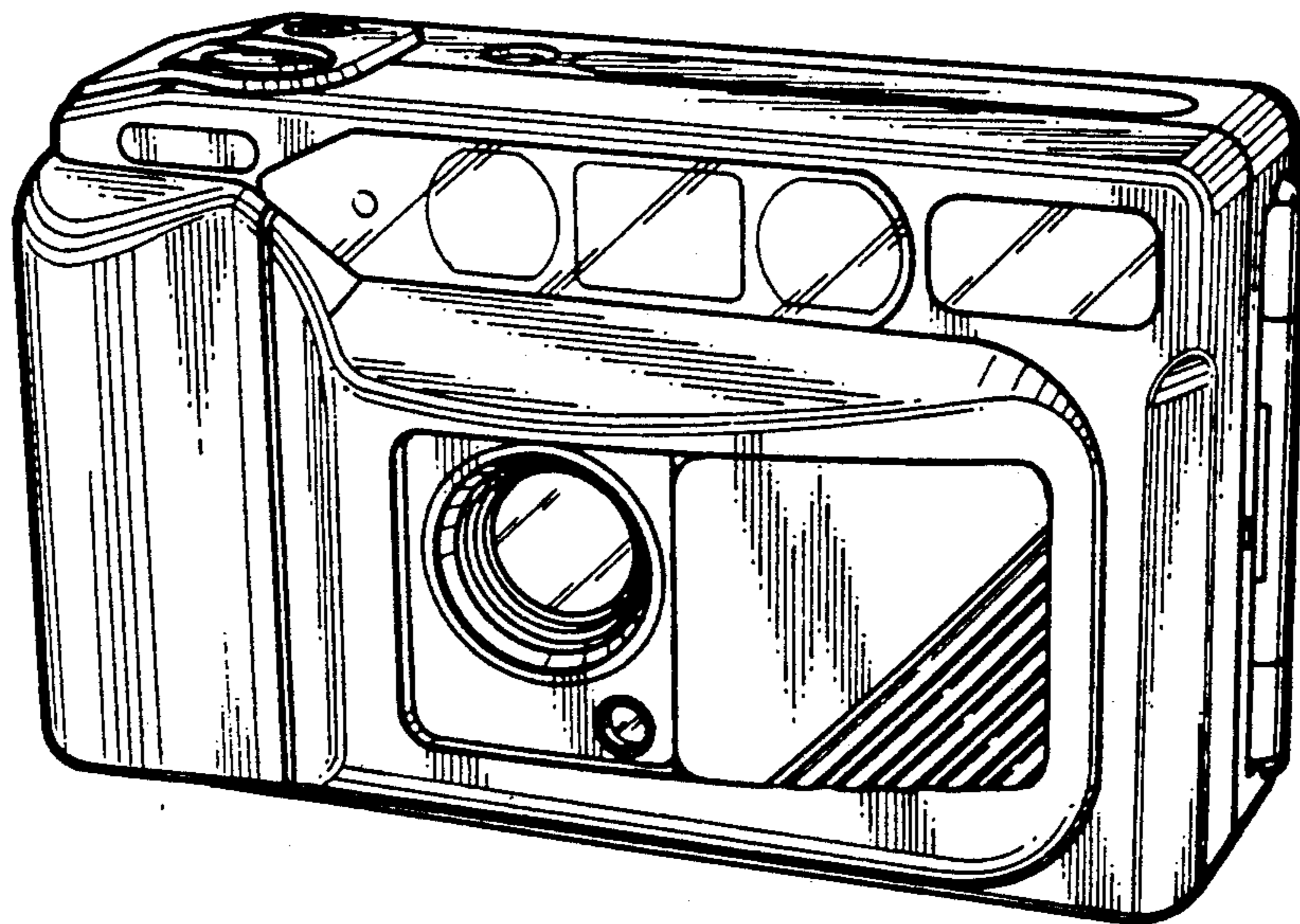
Attorney, Agent, or Firm—Sughrue, Mion, Zinn, Macpeak & Seas

[57] CLAIM

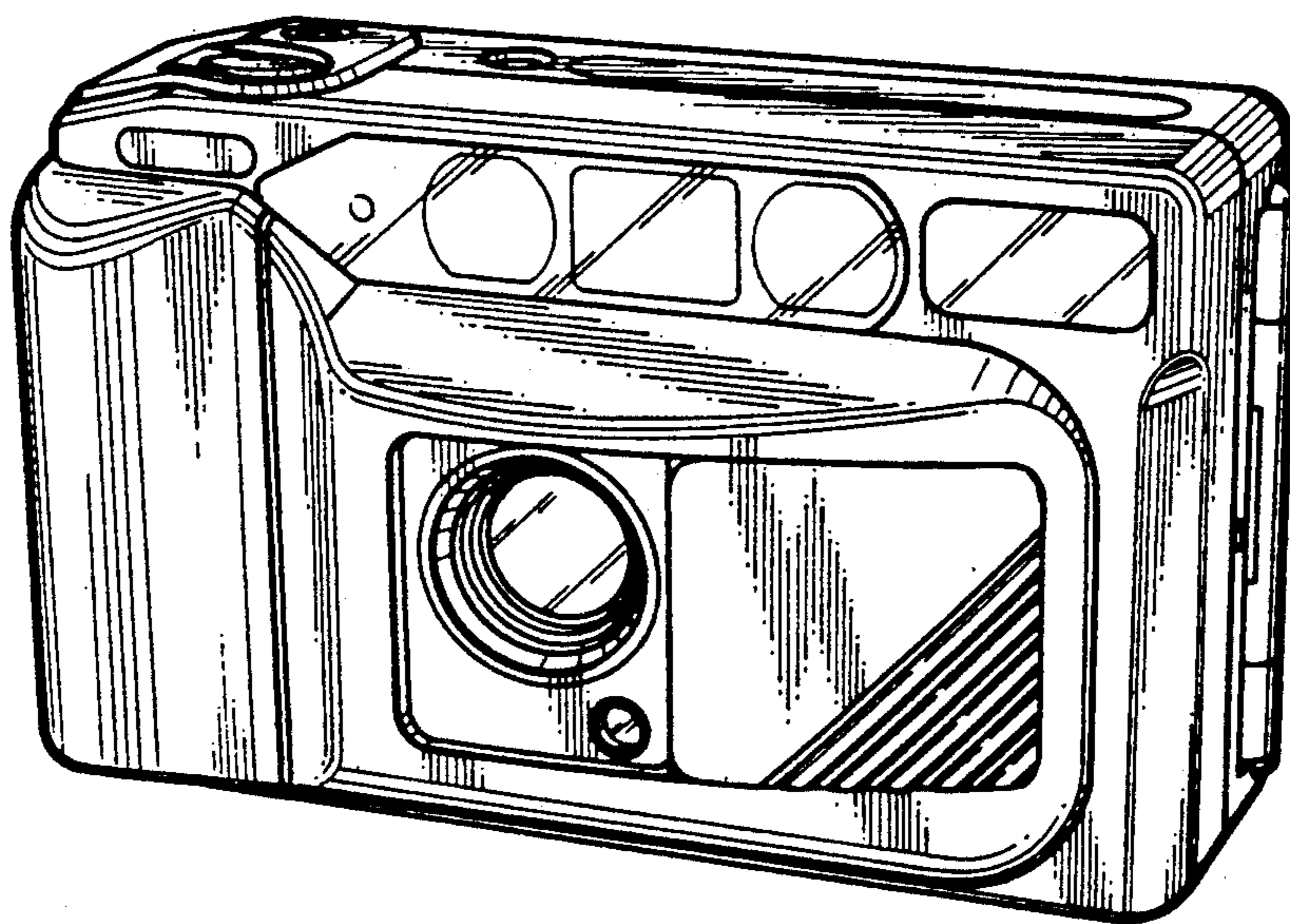
The ornamental design for a camera with an integral electronic flash, as shown and described.

DESCRIPTION

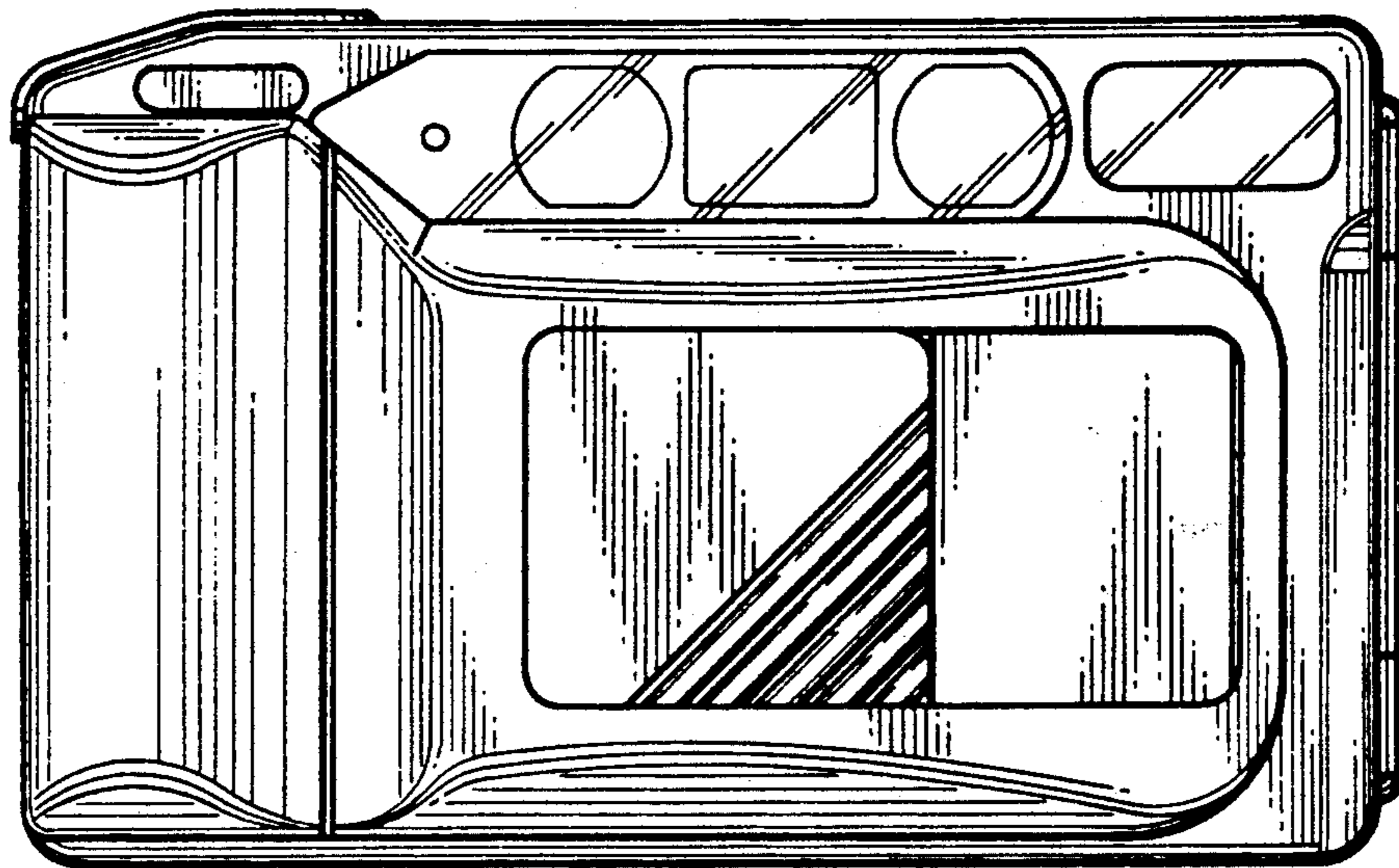
FIG. 1 is a top front prospective view of a camera with an integral electronic flash, showing my new design;  
 FIG. 2 is a front elevational view thereof;  
 FIG. 3 is a rear elevational view thereof;  
 FIG. 4 is a top plan view thereof;  
 FIG. 5 is a bottom plan view thereof;  
 FIG. 6 is a left side elevational view thereof;  
 FIG. 7 is a right side elevational view thereof;  
 FIG. 8 is a second modified embodiment of the camera;  
 FIG. 9 is a third modified embodiment of the camera.



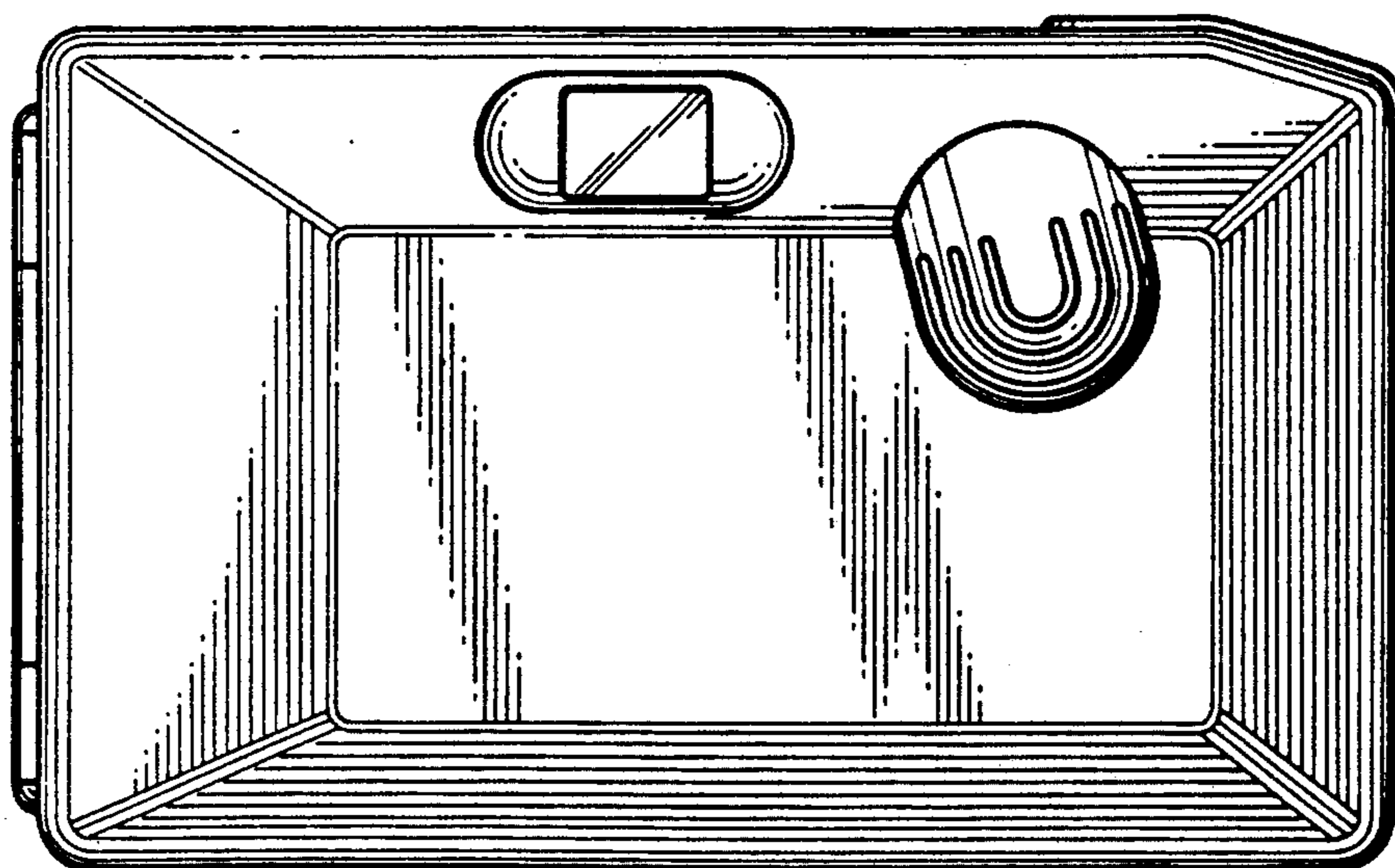
*Fig. 1*



*Fig. 2*

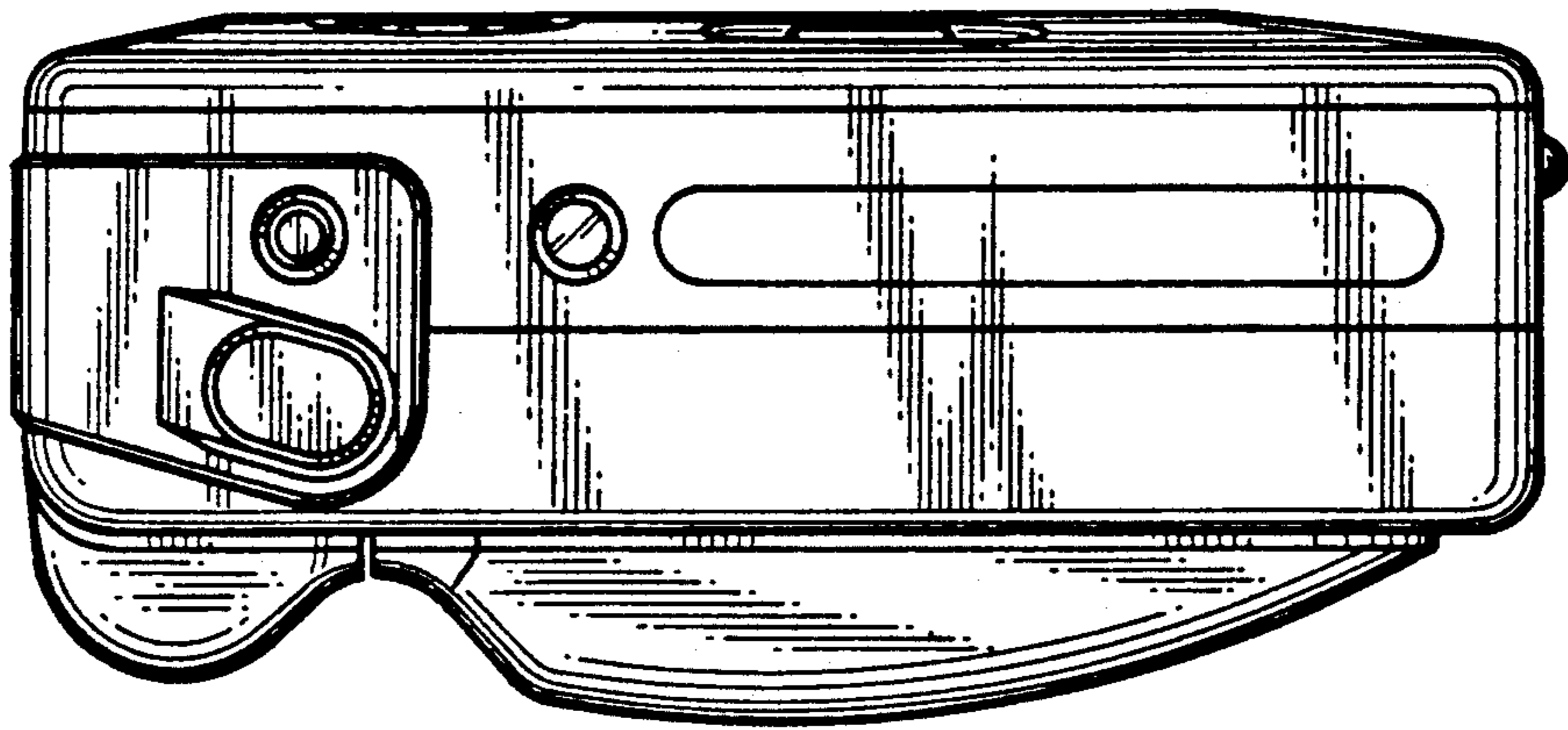


*Fig. 3*

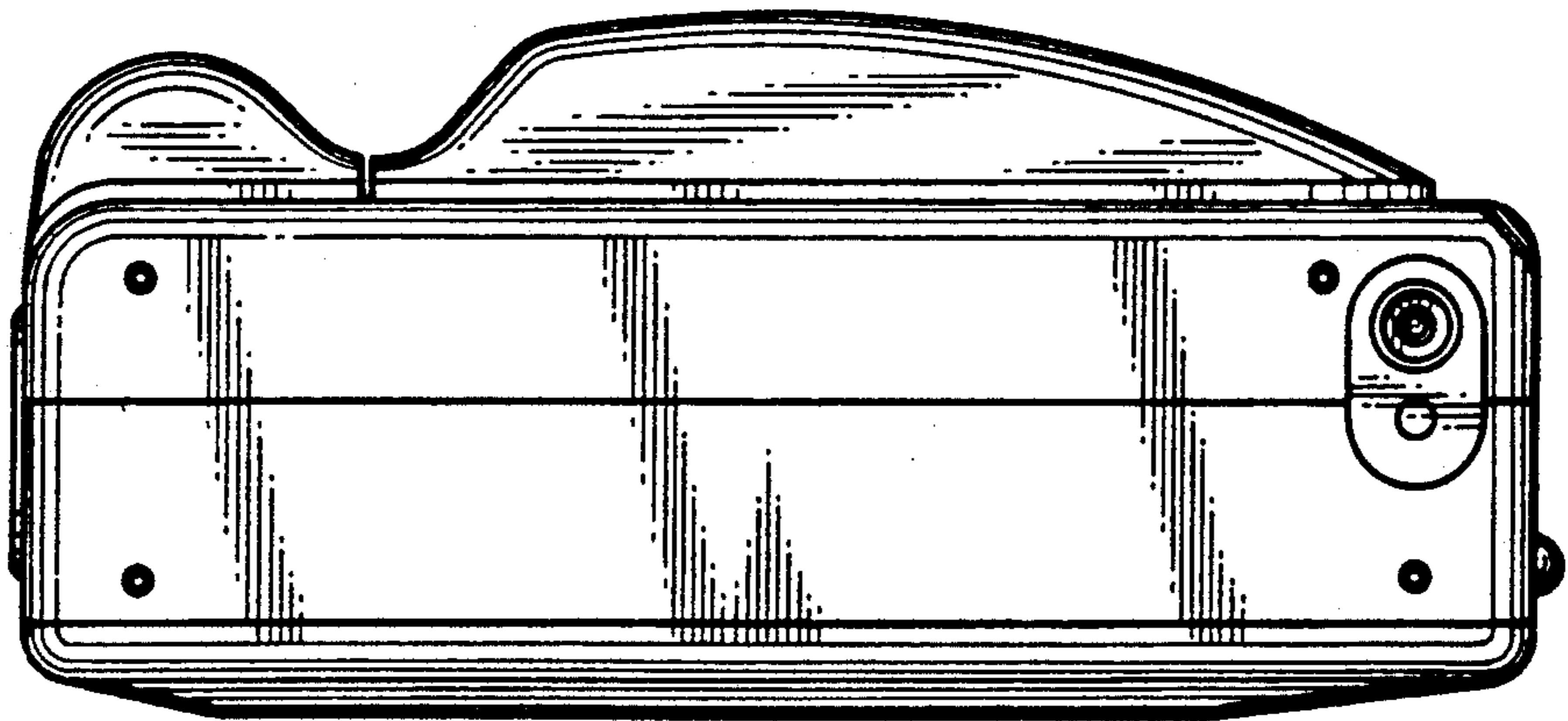




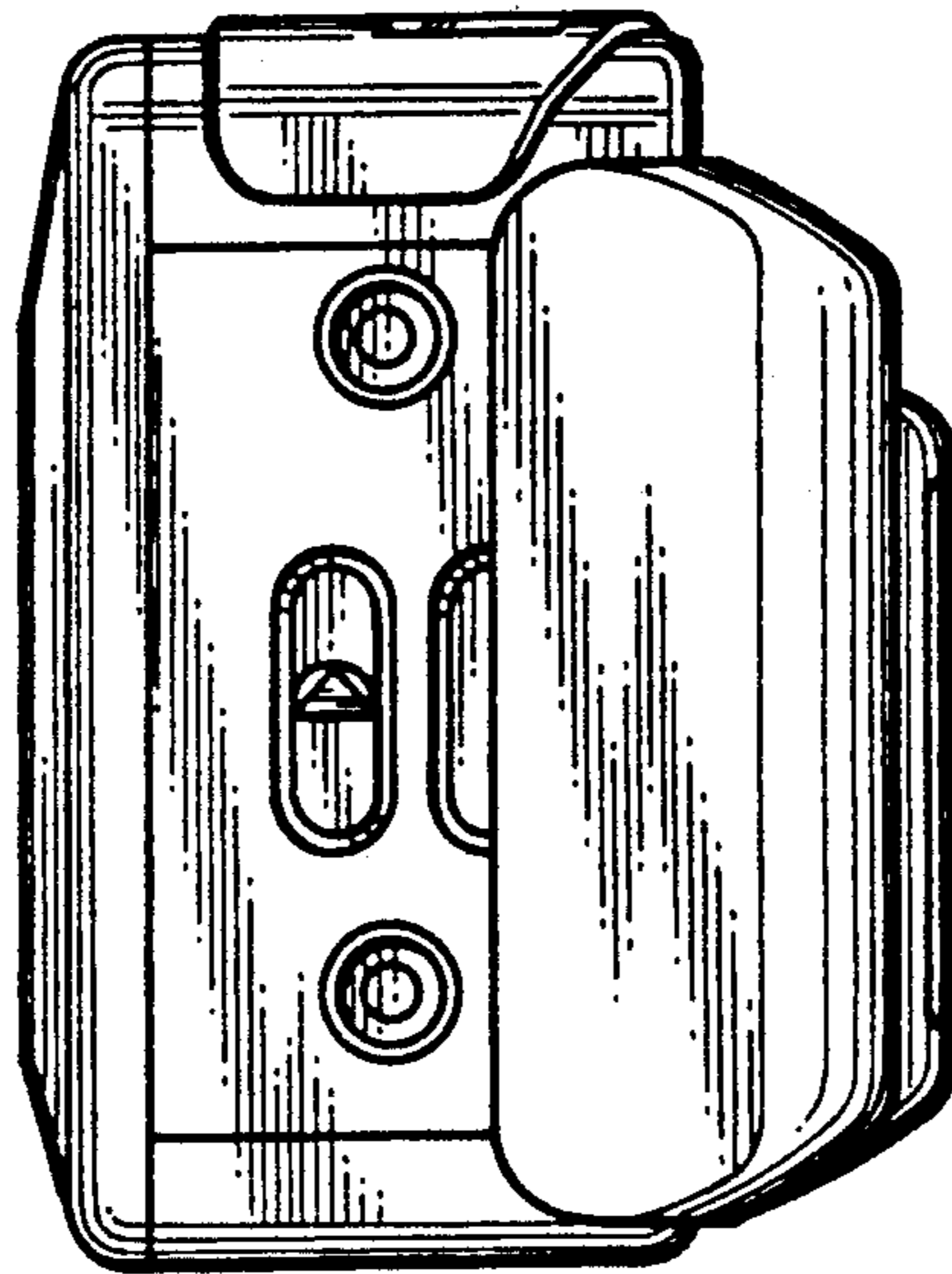
*Fig. 4*



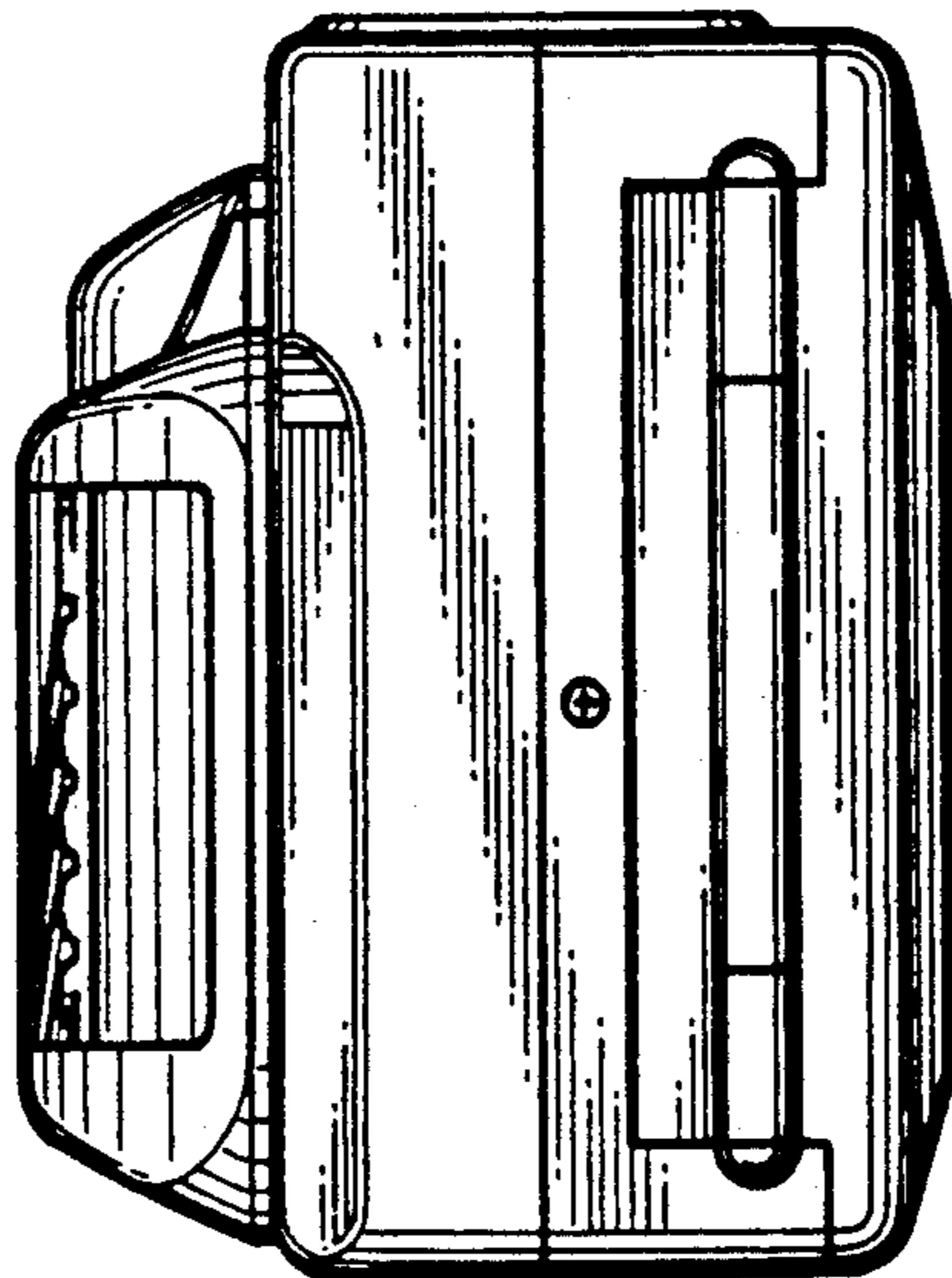
*Fig. 5*



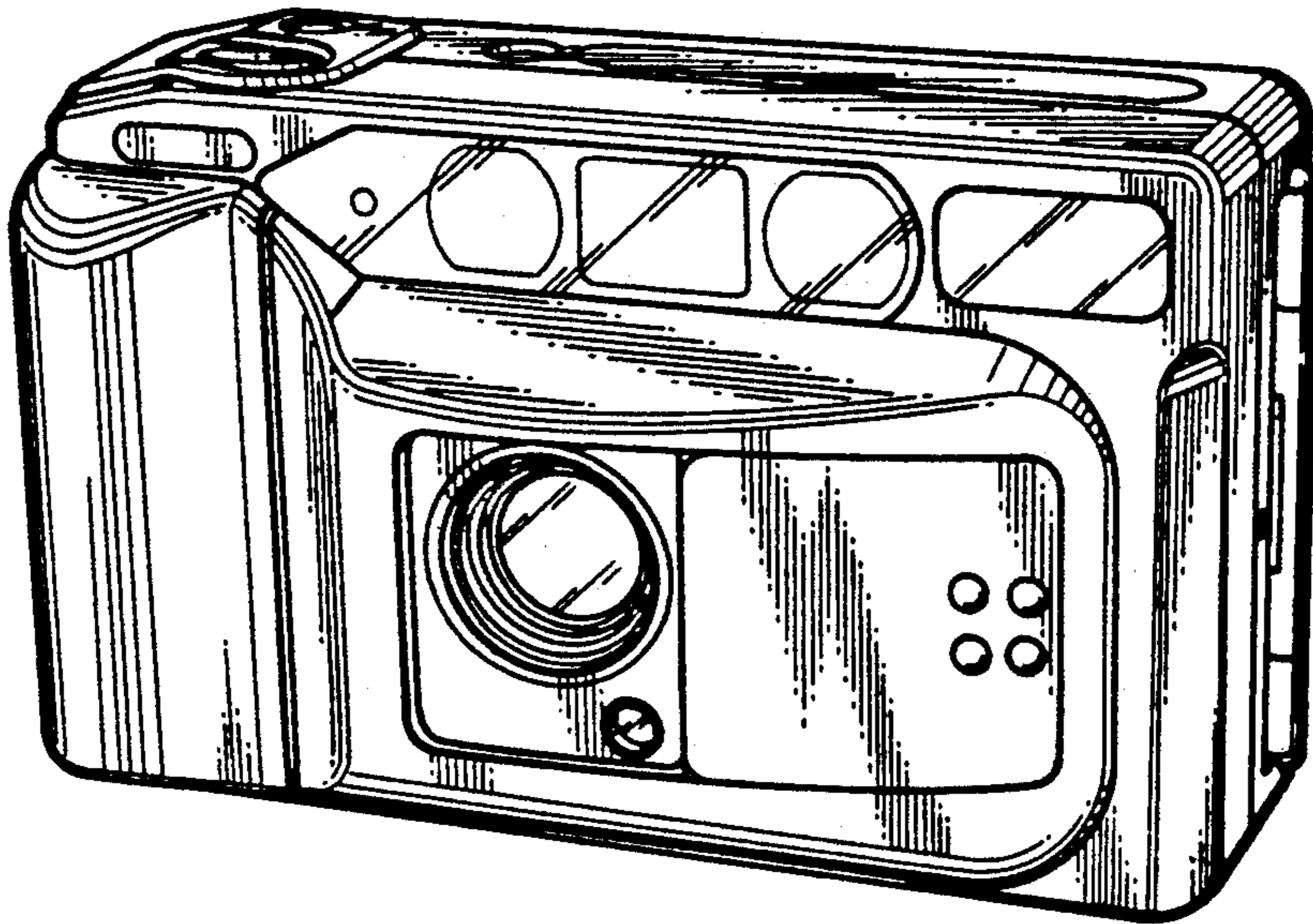
*Fig. 6*



*Fig. 7*



*Fig. 8*



*Fig. 9*

