

[54] **DEBARKING TOOL**

[76] **Inventor: Karl-Erik Jonsson, Sodra Skeppsbron 4, 802 33, Gavle, Sweden**

[\*\*] **Term: 14 Years**

[21] **Appl. No.: 380,735**

[22] **Filed: Jul. 17, 1989**

**Related U.S. Application Data**

[62] **Division of Ser. No. 841,322, Mar. 19, 1986, Pat. No. Des. 305,895.**

[52] **U.S. Cl. .... D15/29**

[58] **Field of Search ..... D15/28, 29, 129-131, D15/138-140; 144/340, 341, 392, 241**

[56] **References Cited**

**U.S. PATENT DOCUMENTS**

D. 276,161	10/1984	Valo	.....	D15/28
3,973,607	8/1976	Jonsson	.....	144/208 E
4,231,406	11/1980	Jonsson	.....	144/241
4,657,056	4/1987	Hutson	.....	144/340

*Primary Examiner—A. Hugo Word*  
*Assistant Examiner—Ruth McInroy*  
*Attorney, Agent, or Firm—Jordan B. Bierman*

[57] **CLAIM**

The ornamental design for a debarking tool, as shown.

**DESCRIPTION**

FIG. 1 is a top, front and left side perspective view of a debarking tool showing my new design;

FIG. 2 is a top, rear and right side perspective view thereof; and

FIG. 3 is a bottom, rear and left side perspective view thereof.

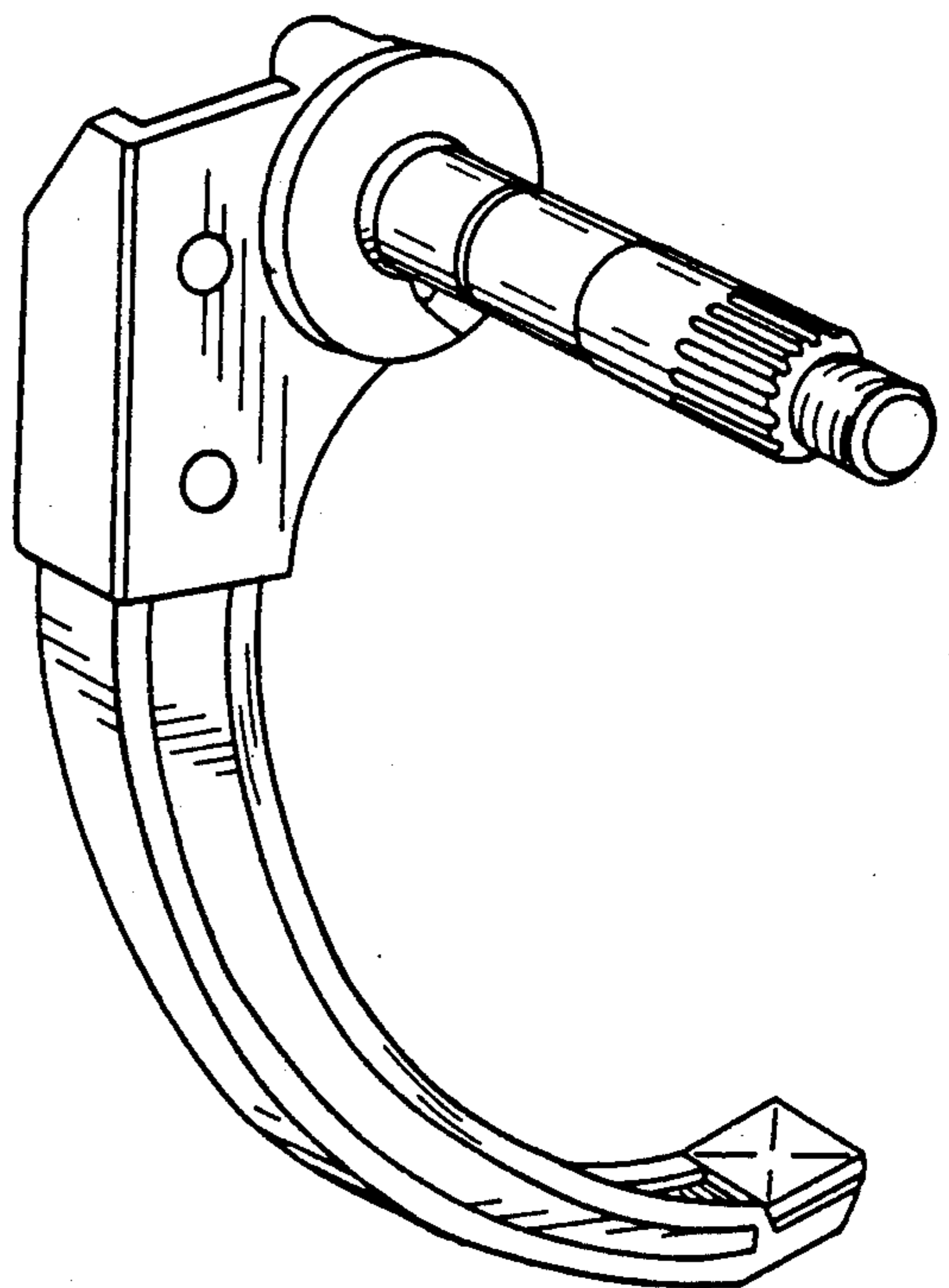
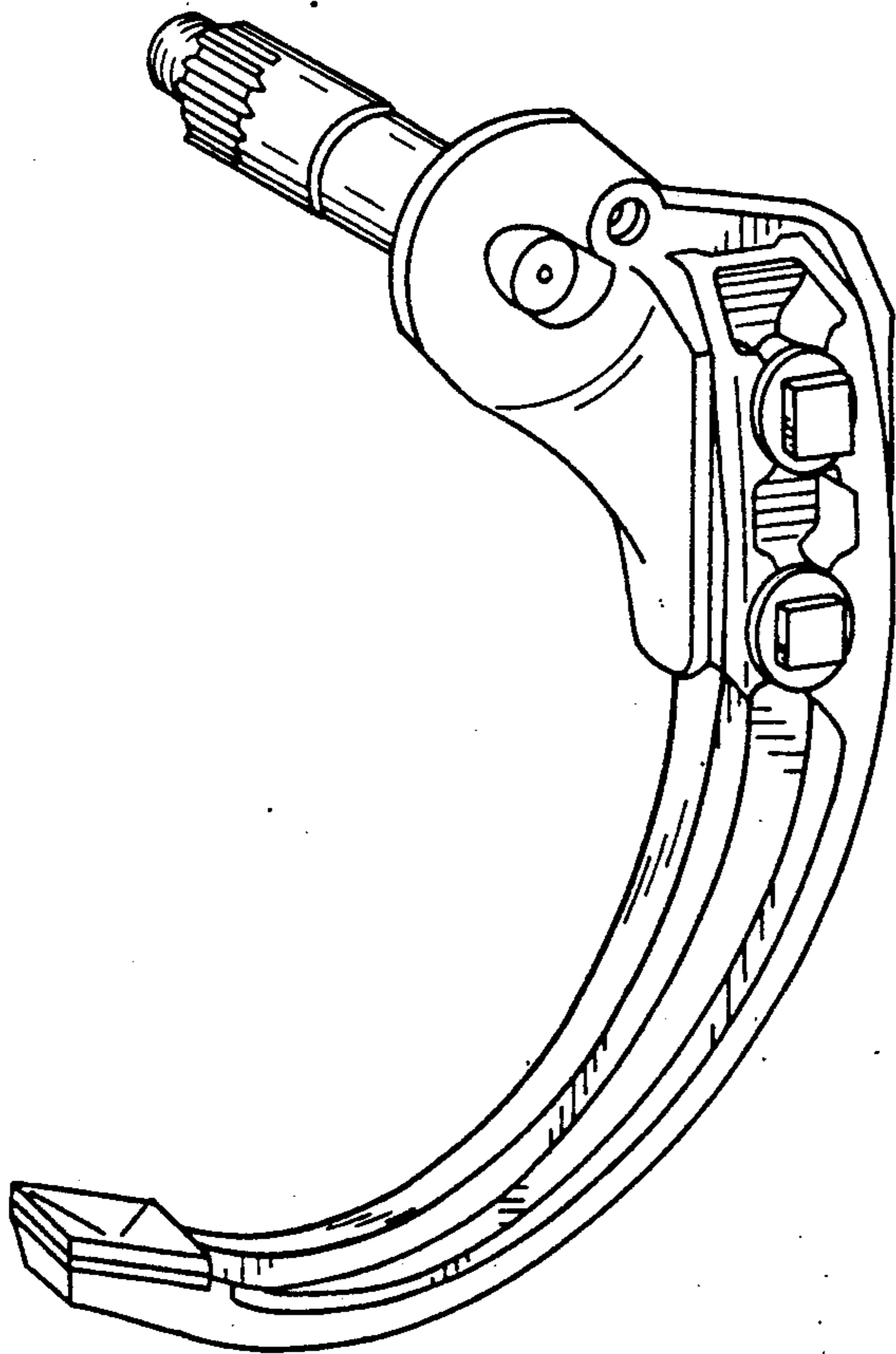


FIG. 1

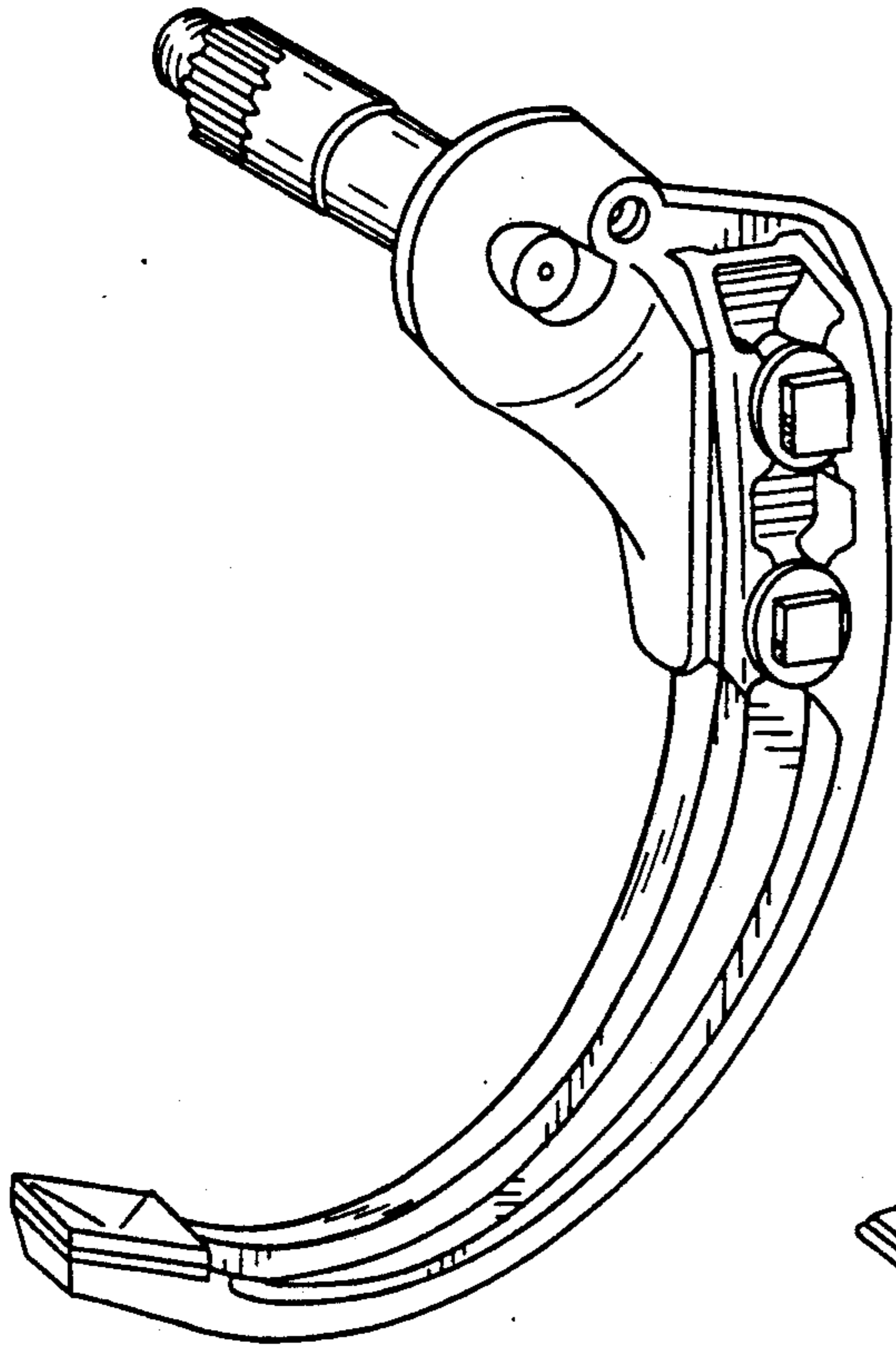


FIG. 2

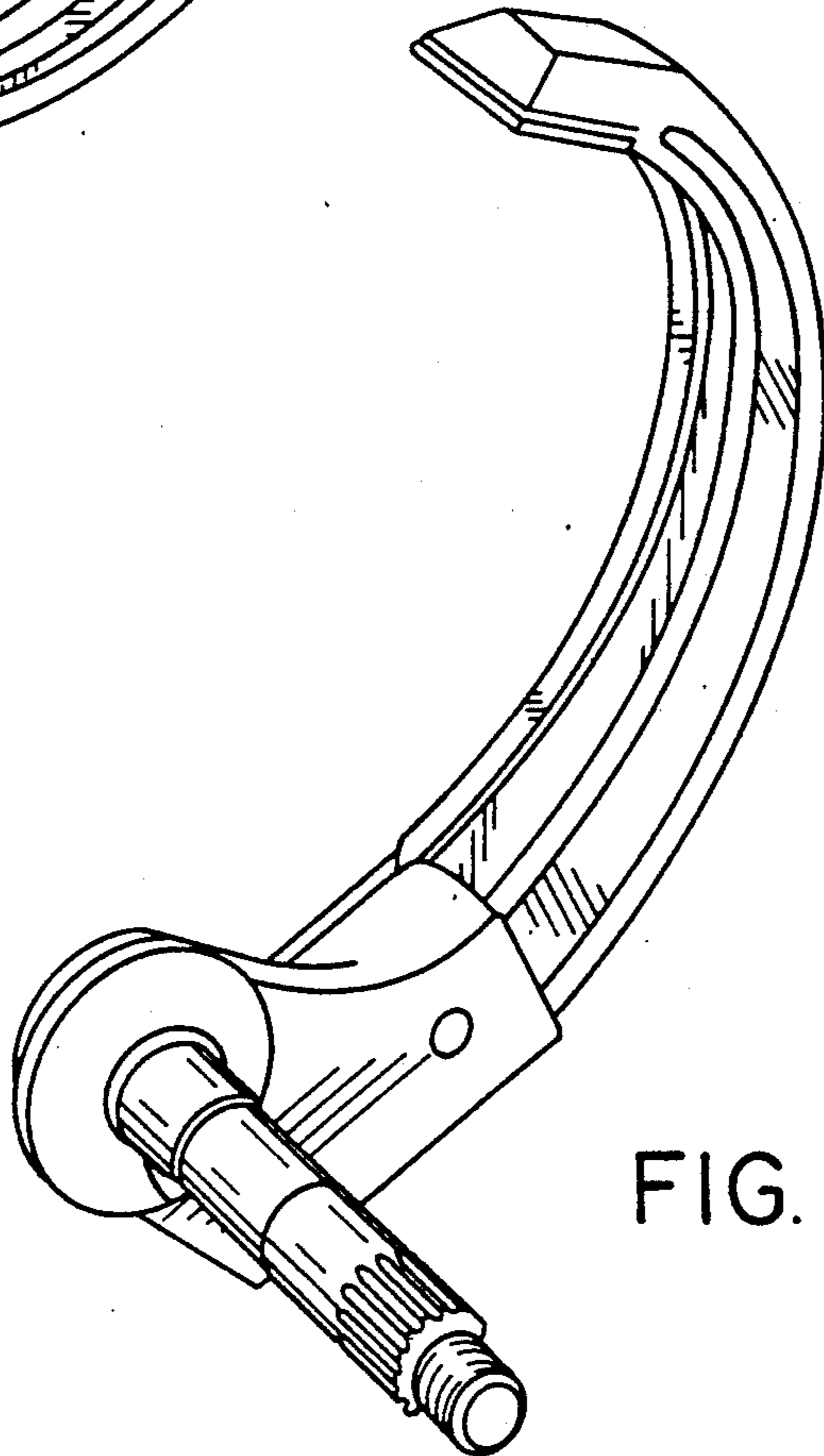
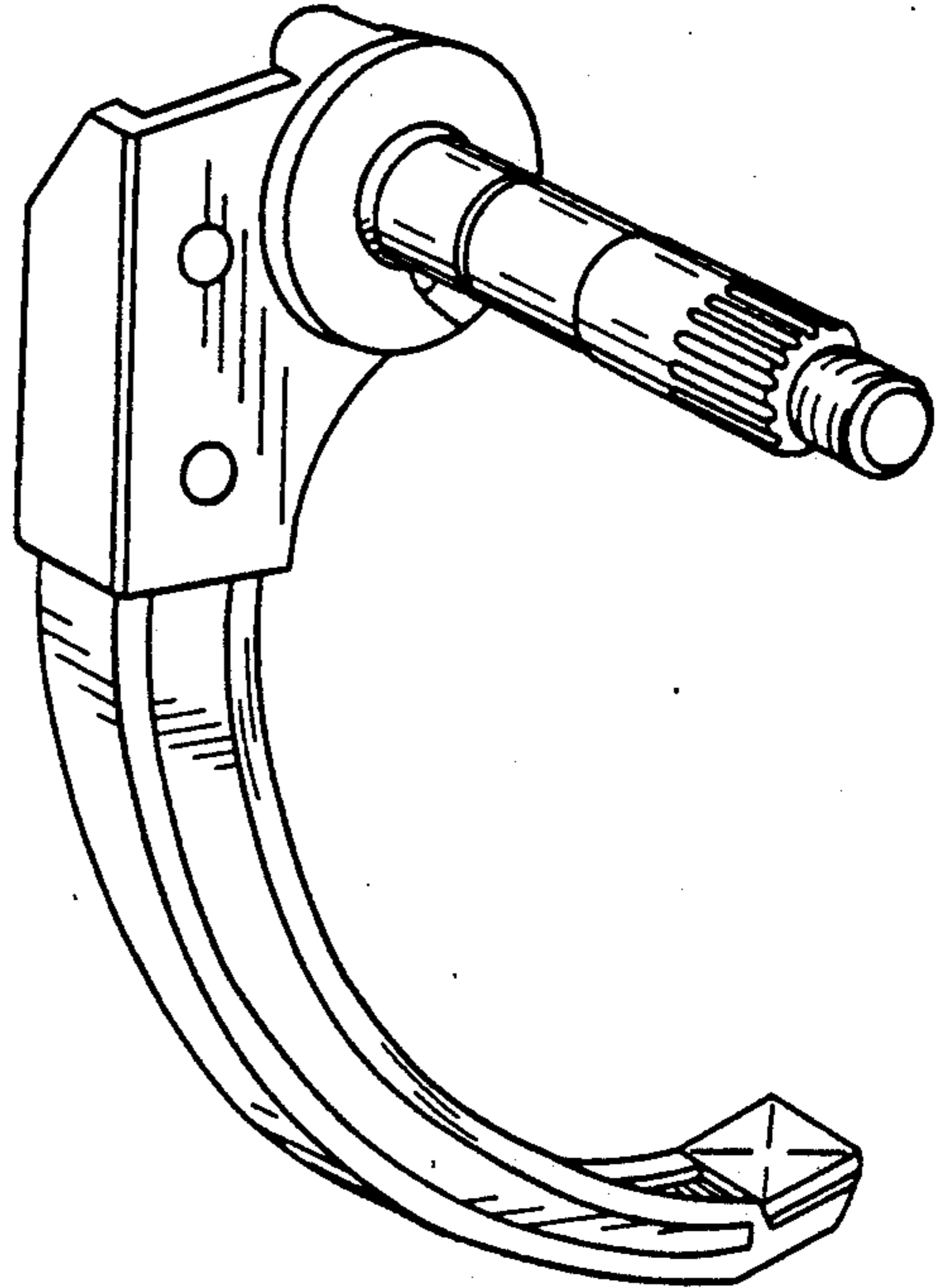


FIG. 3