

[54] **OUTBOARD MOTOR**

[75] **Inventor: George Reynolds, Surrey, Canada**

[73] **Assignee: Ronald F. Taylor, Vancouver, Canada**

[**] **Term: 14 Years**

[21] **Appl. No.: 378,811**

[22] **Filed: Jul. 10, 1989**

[30] **Foreign Application Priority Data**

May 19, 1989 [CA] Canada 19-05-89-1

[52] **U.S. Cl. D15/4**

[58] **Field of Search D15/1-5, D15/9.1-9.3; 440/900, 3-4, 6; 290/43, 46, 54**

[56] **References Cited**

U.S. PATENT DOCUMENTS

D. 224,758	9/1972	Kitovich	D15/4
D. 308,525	6/1990	Robbins	D15/4
3,812,379	5/1974	Kaufman	D15/4
4,838,818	6/1989	Edwards	440/6

Primary Examiner—Louis S. Zarfes
Assistant Examiner—R. T. Seifert
Attorney, Agent, or Firm—John Russell Uren

[57] **CLAIM**

The ornamental design for an outboard motor, as shown and described.

DESCRIPTION

FIG. 1 is a top plan view of an outboard motor showing my new design;

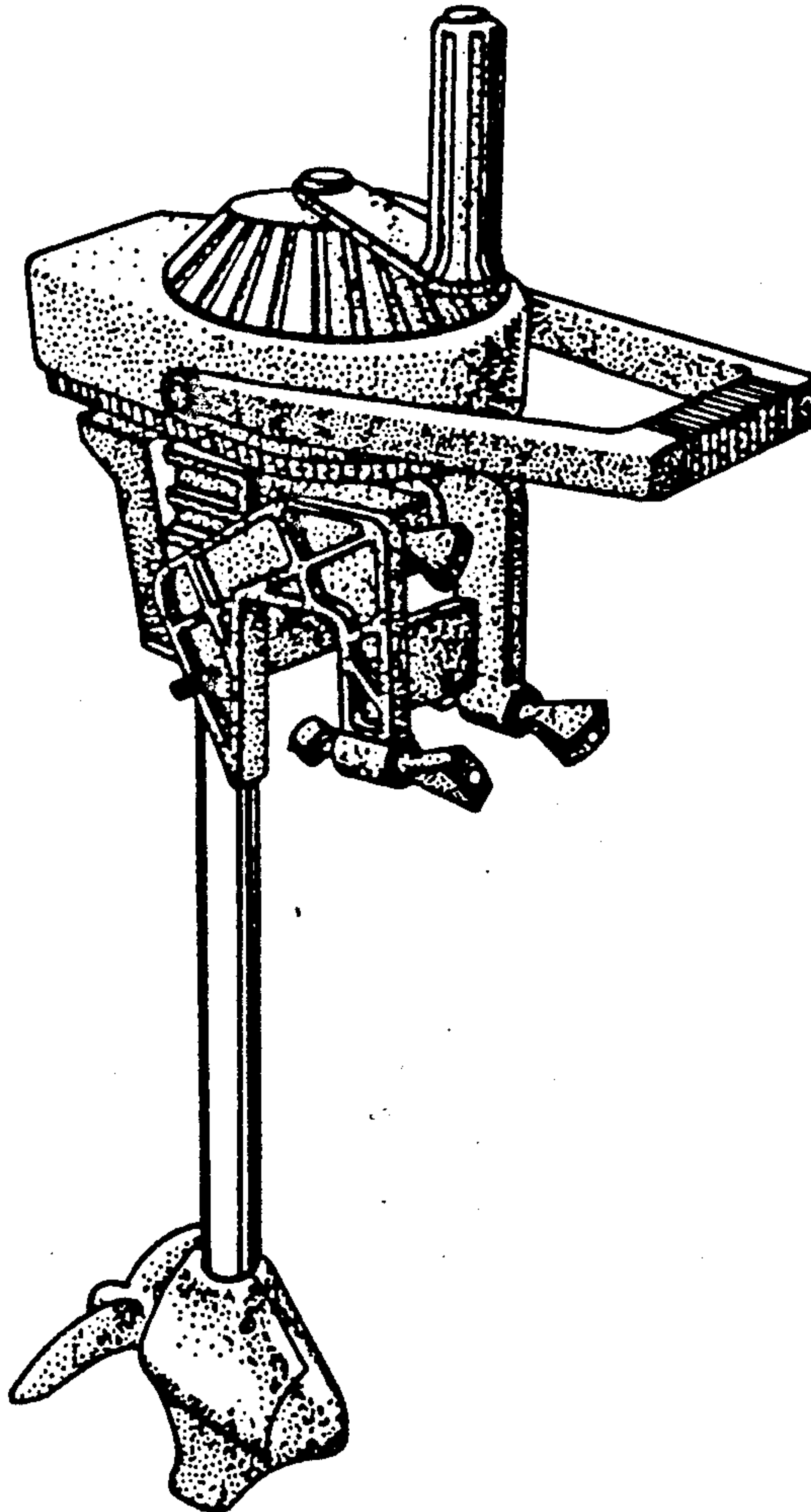
FIG. 2 is a side elevational view;

FIG. 3 is a perspective view;

FIG. 4 is a rear elevational view;

FIG. 5 is a front elevational view; and

FIG. 6 is a bottom plan view.



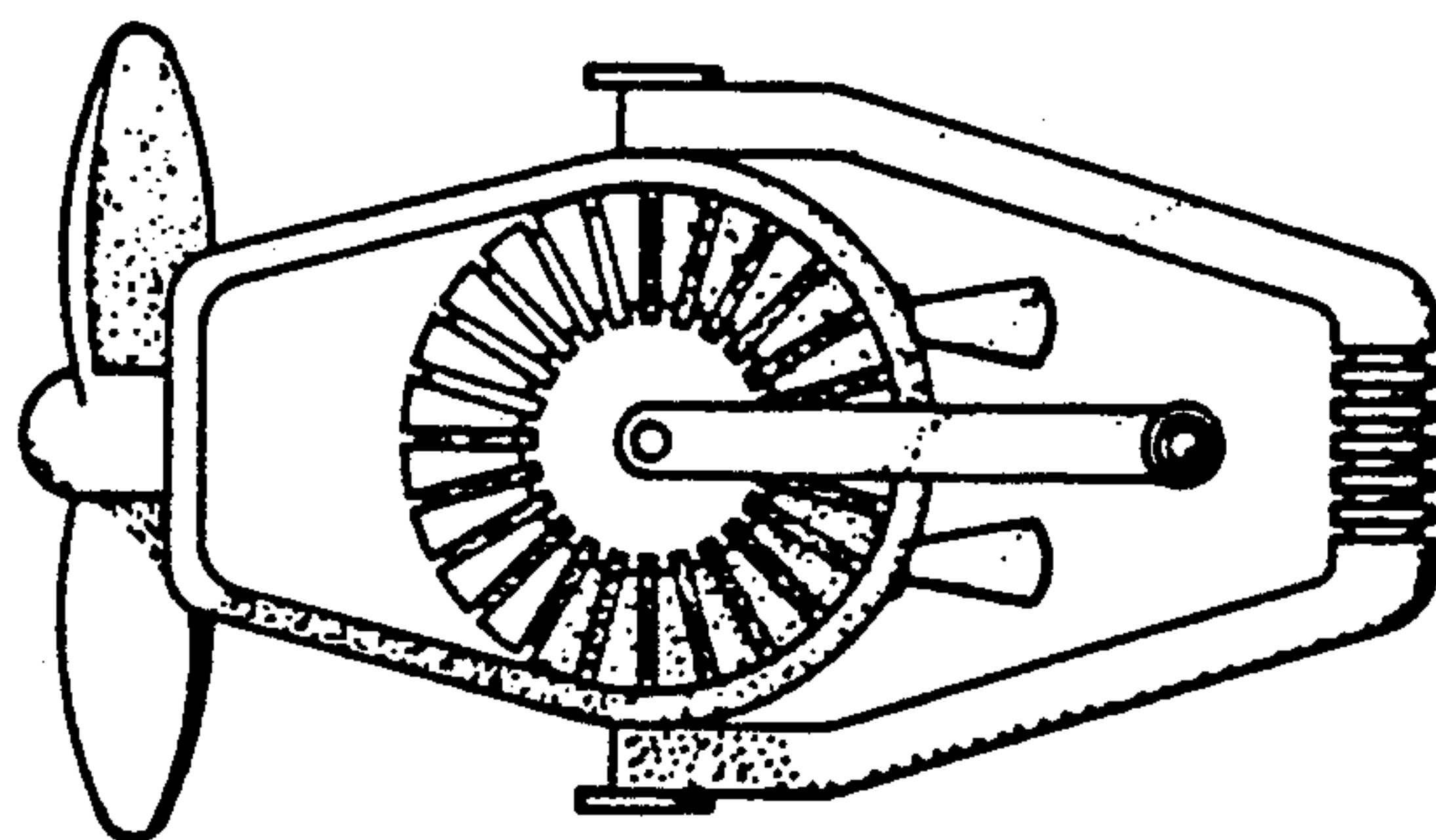


FIG. 1

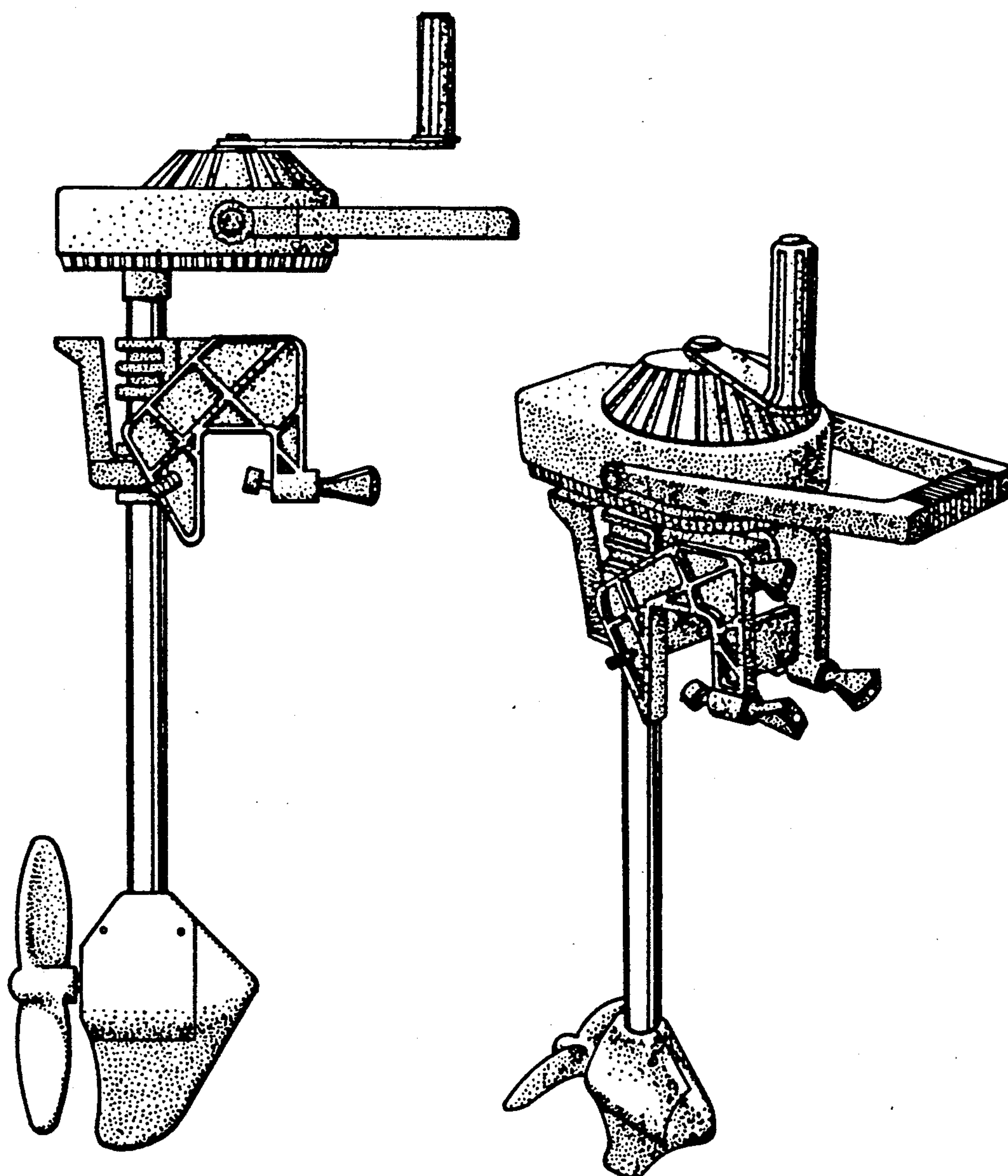


FIG. 2

FIG. 3

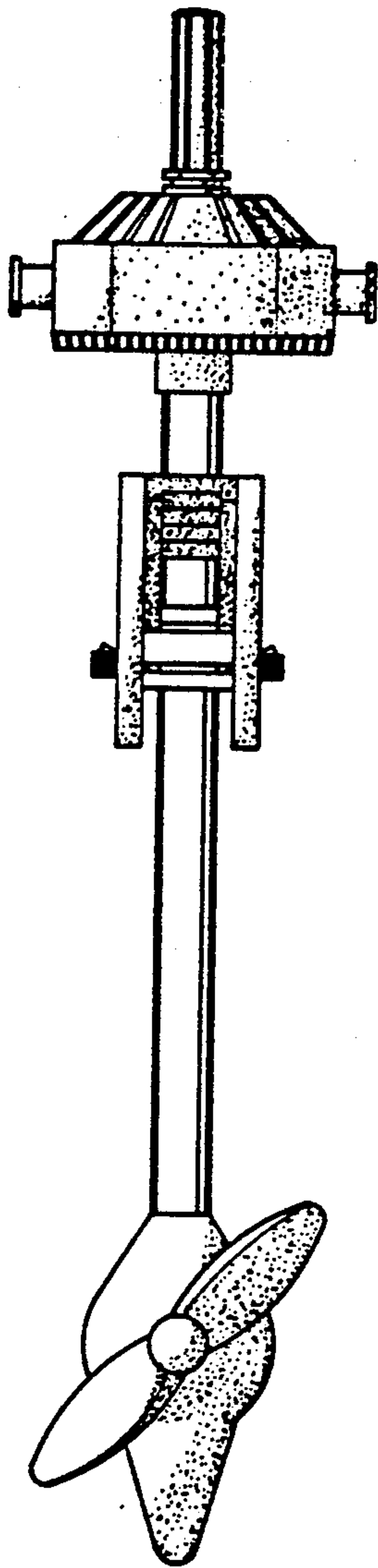


FIG. 4

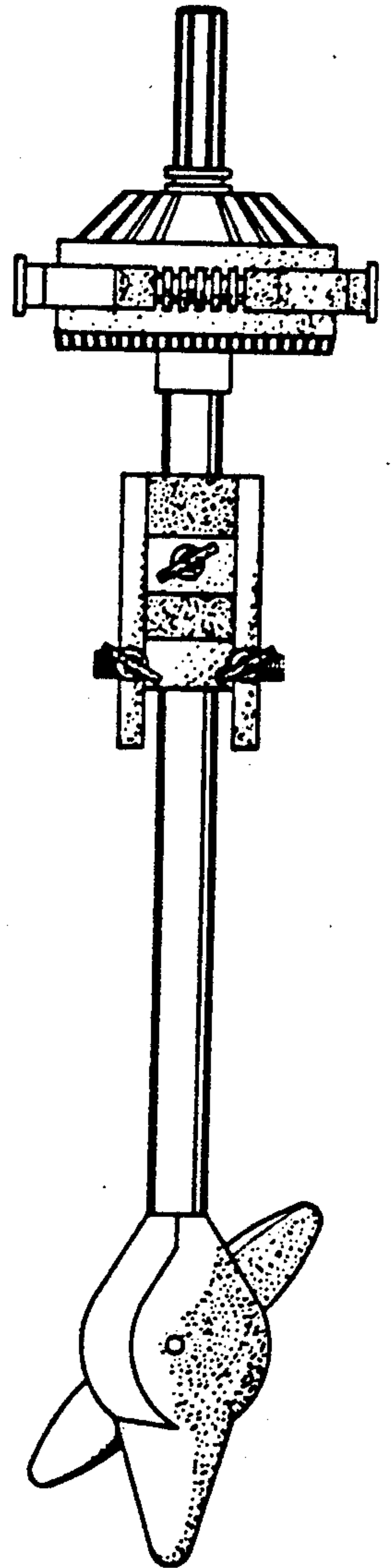


FIG. 5

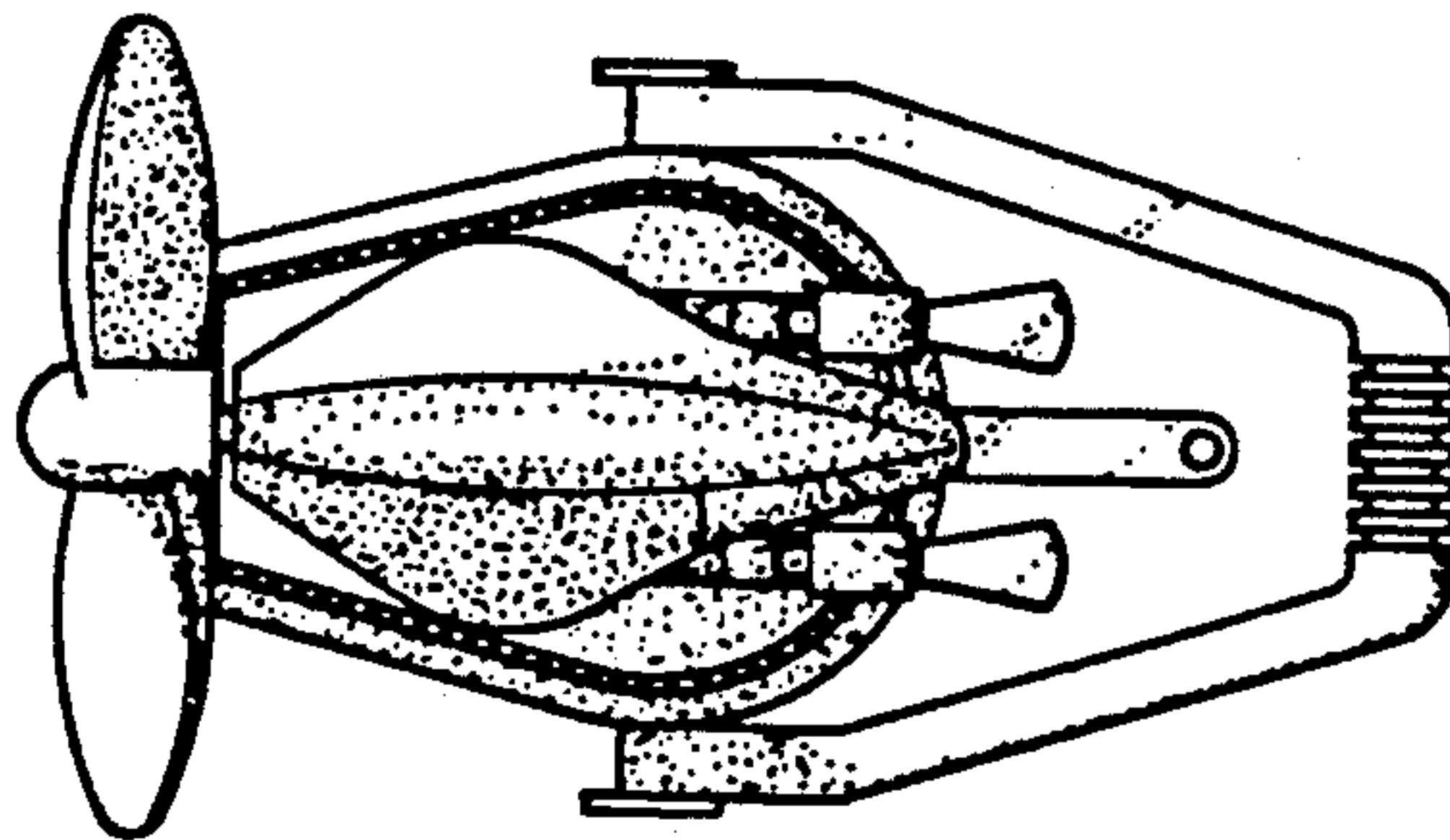


FIG. 6