

[54] COMPUTER DISPLAY

[75] Inventors: Atuo Yoshida, Kokubunji; Masayuki Tamasaku, Koganei; Keiji Kitazawa; Kunihiro Ohnuma, both of Hitachi, all of Japan

[73] Assignee: Hitachi, Ltd., Tokyo, Japan

[\*\*] Term: 14 Years

[21] Appl. No.: 344,842

[22] Filed: Apr. 28, 1989

[30] Foreign Application Priority Data

Oct. 31, 1988 [JP] Japan ..... 63-42502
[52] U.S. Cl. .... D14/113
[58] Field of Search ..... D14/100, 101, 105, 106, D14/113, 124, 125, 126; 341/22, 23; 340/700, 706, 707, 711, 712; 358/248, 249, 254; 364/706-710.14; 248/917-923, 349, 371, 372.1, 422, 649

[56] References Cited

U.S. PATENT DOCUMENTS

D. 288,567 3/1987 Moggridge ..... D14/106
D. 294,944 3/1988 Chu ..... D14/113

D. 295,978 5/1988 Brunner ..... D14/113
D. 302,151 7/1989 Ji ..... D14/113
D. 312,453 11/1990 Oh ..... D14/113

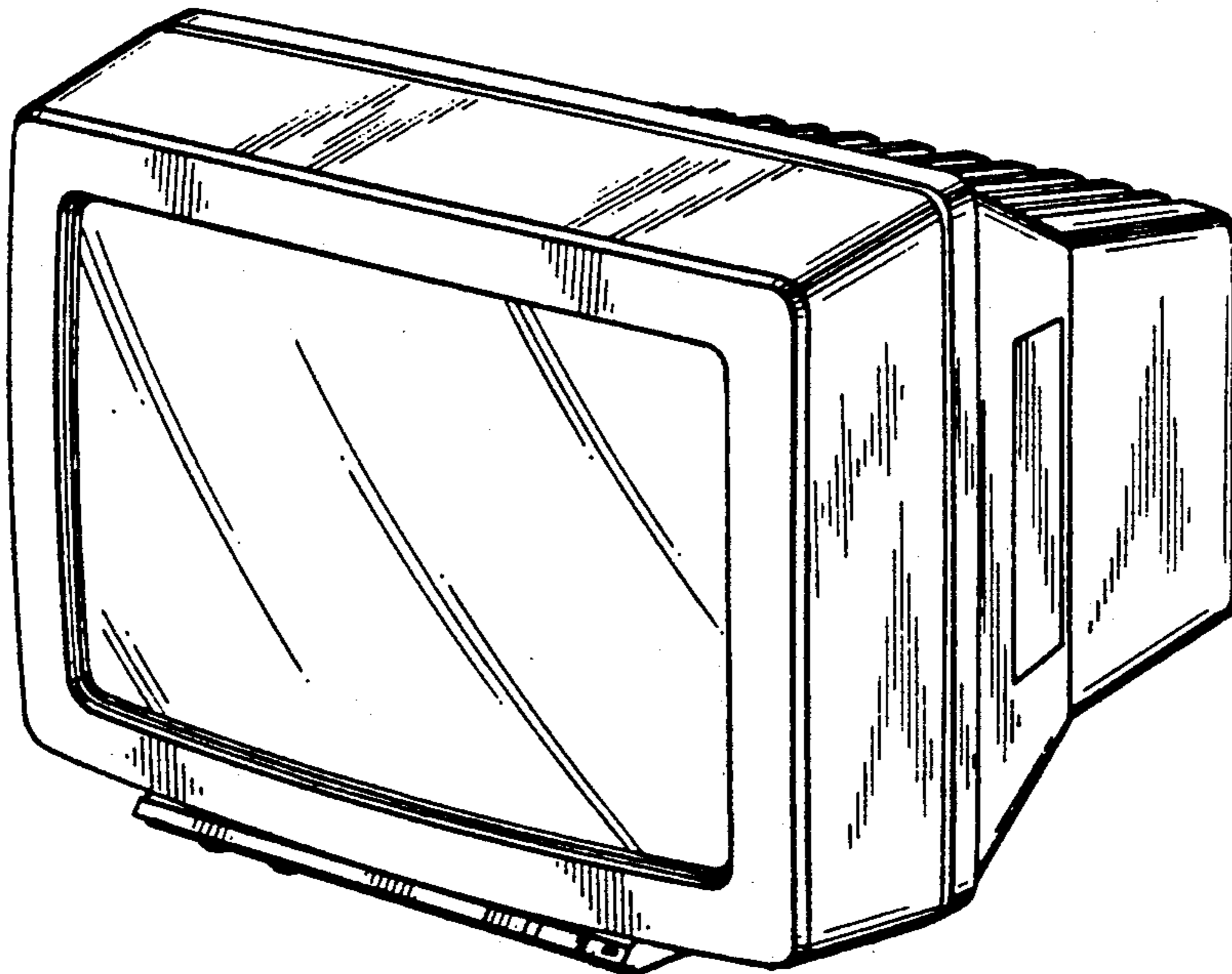
Primary Examiner—Wallace R. Burke
Assistant Examiner—Freda S. Nunn
Attorney, Agent, or Firm—Antonelli, Terry, Stout & Kraus

[57] CLAIM

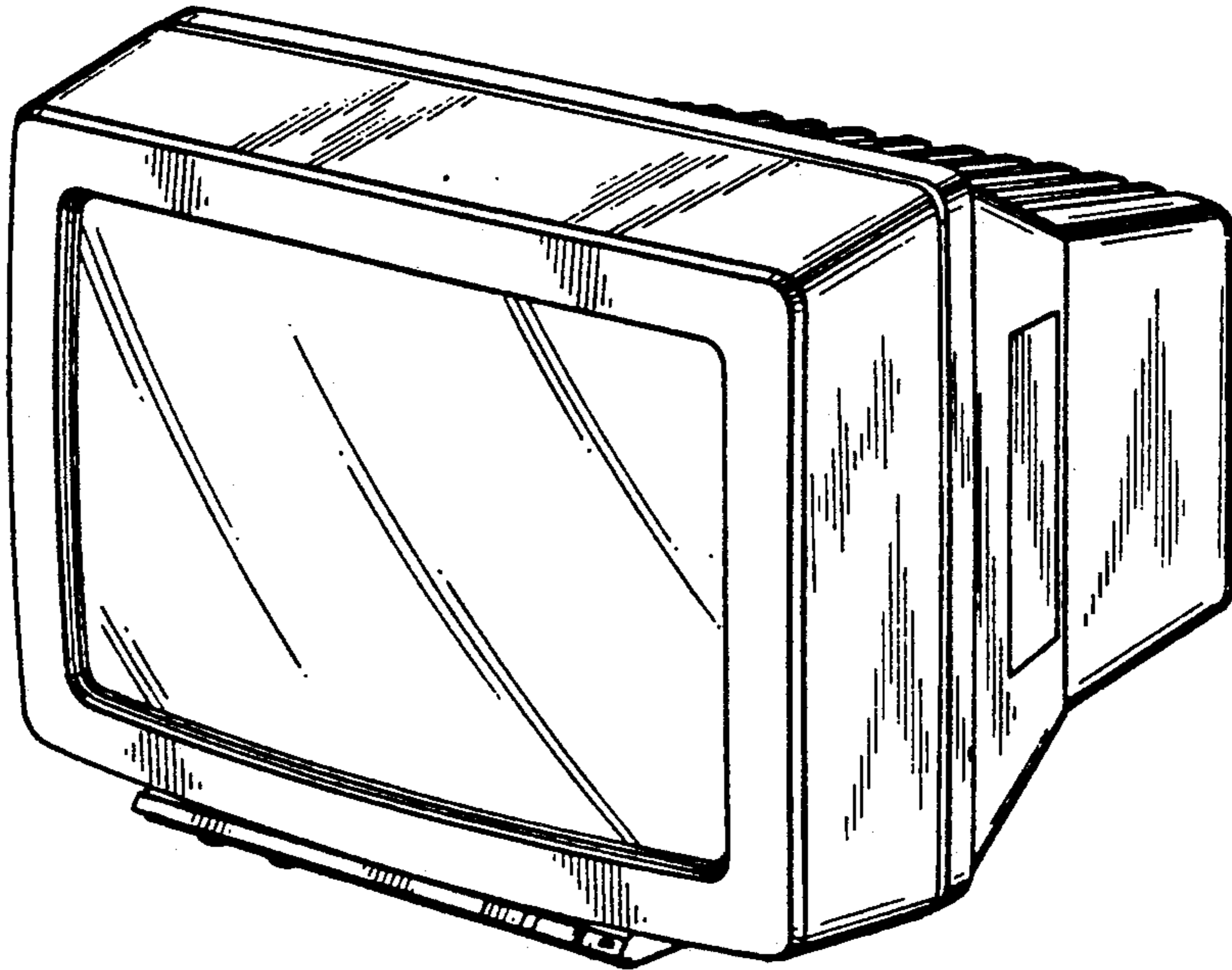
The ornamental design for a computer display, as shown and described.

DESCRIPTION

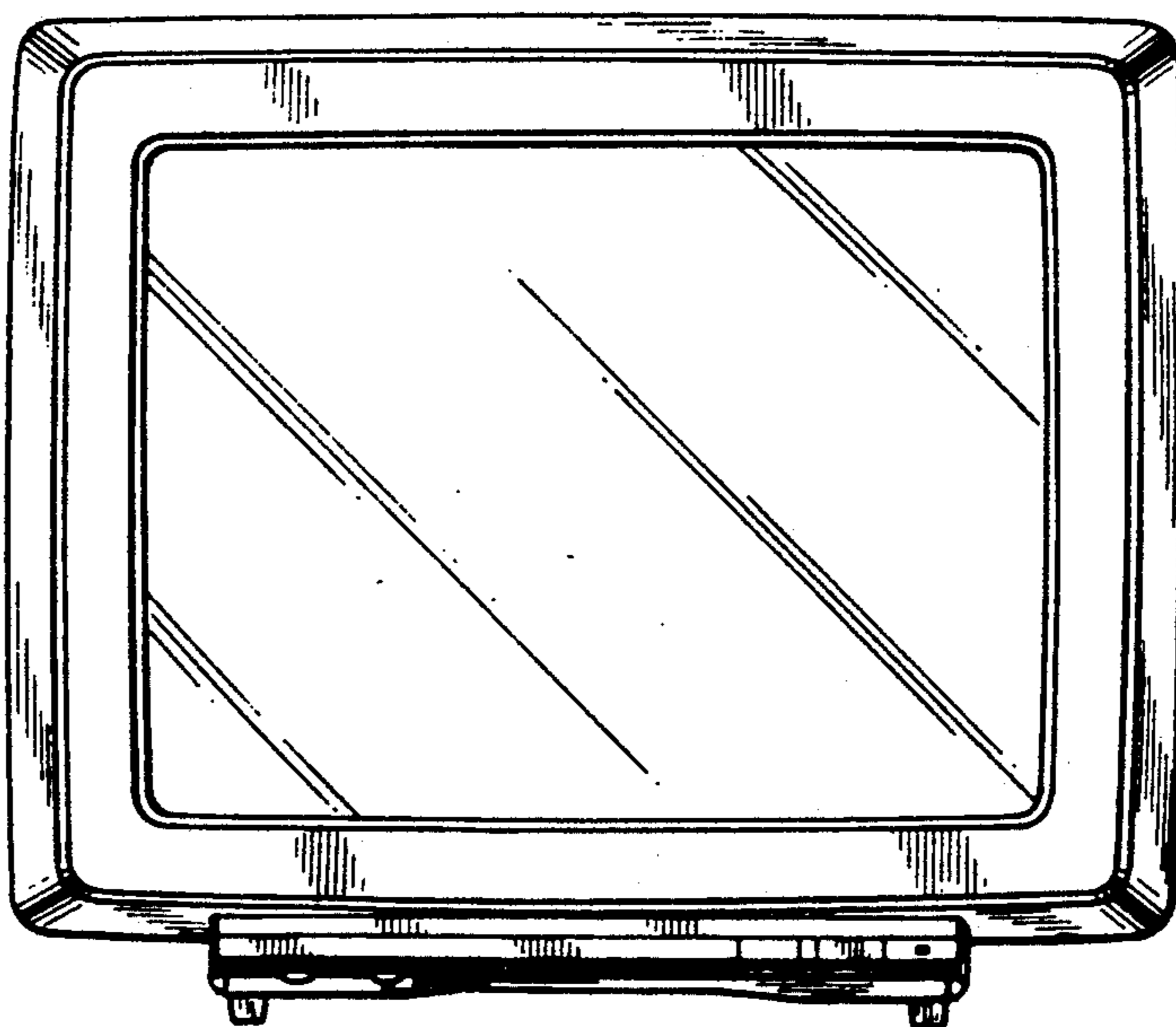
FIG. 1 is a front, top and right side perspective view of a computer display showing our new design; FIG. 2 is a front elevational view thereof; FIG. 3 is a right side elevational view thereof; FIG. 4 is a left side elevational view thereof; FIG. 5 is a top plan view thereof; FIG. 6 is a rear elevational view thereof; FIG. 7 is a bottom plan view thereof; FIG. 8 is a front, top and right side perspective view of a second embodiment of our new design; FIG. 9 is a right side elevational view thereof. The undisclosed views of the second embodiment are identical to those of the first except for the addition of the base.



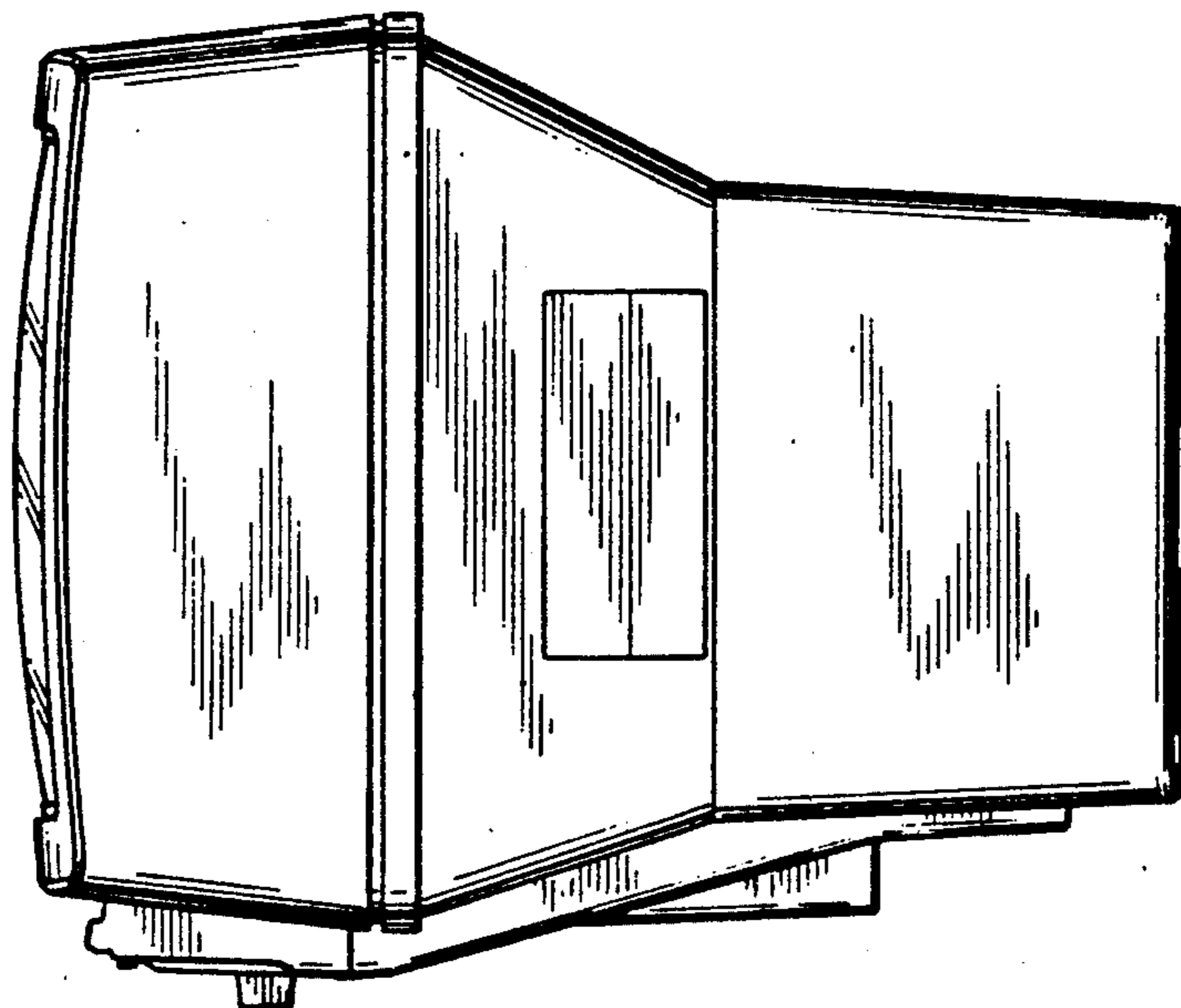
*FIG. 1*



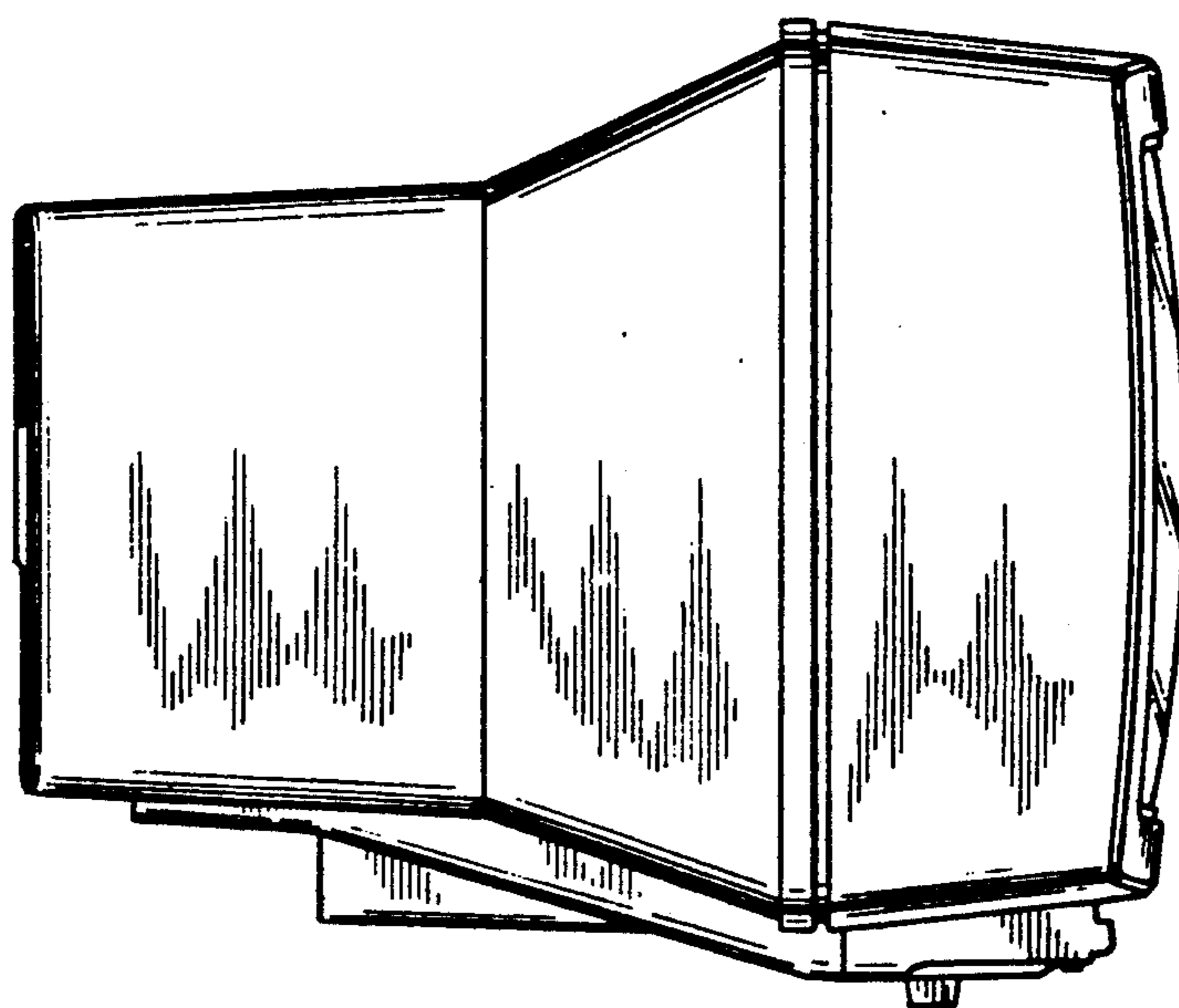
*FIG. 2*



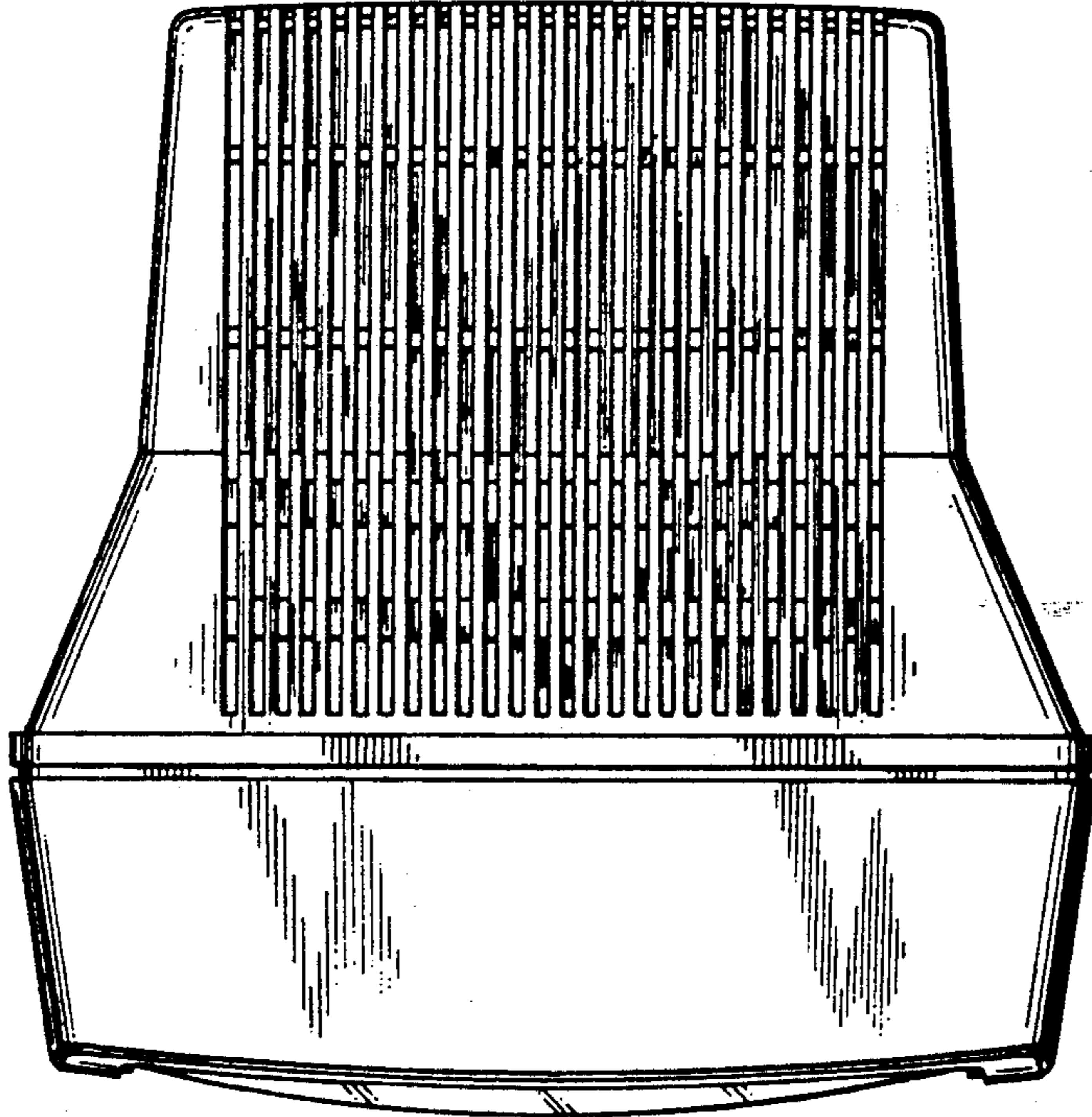
*FIG. 3*



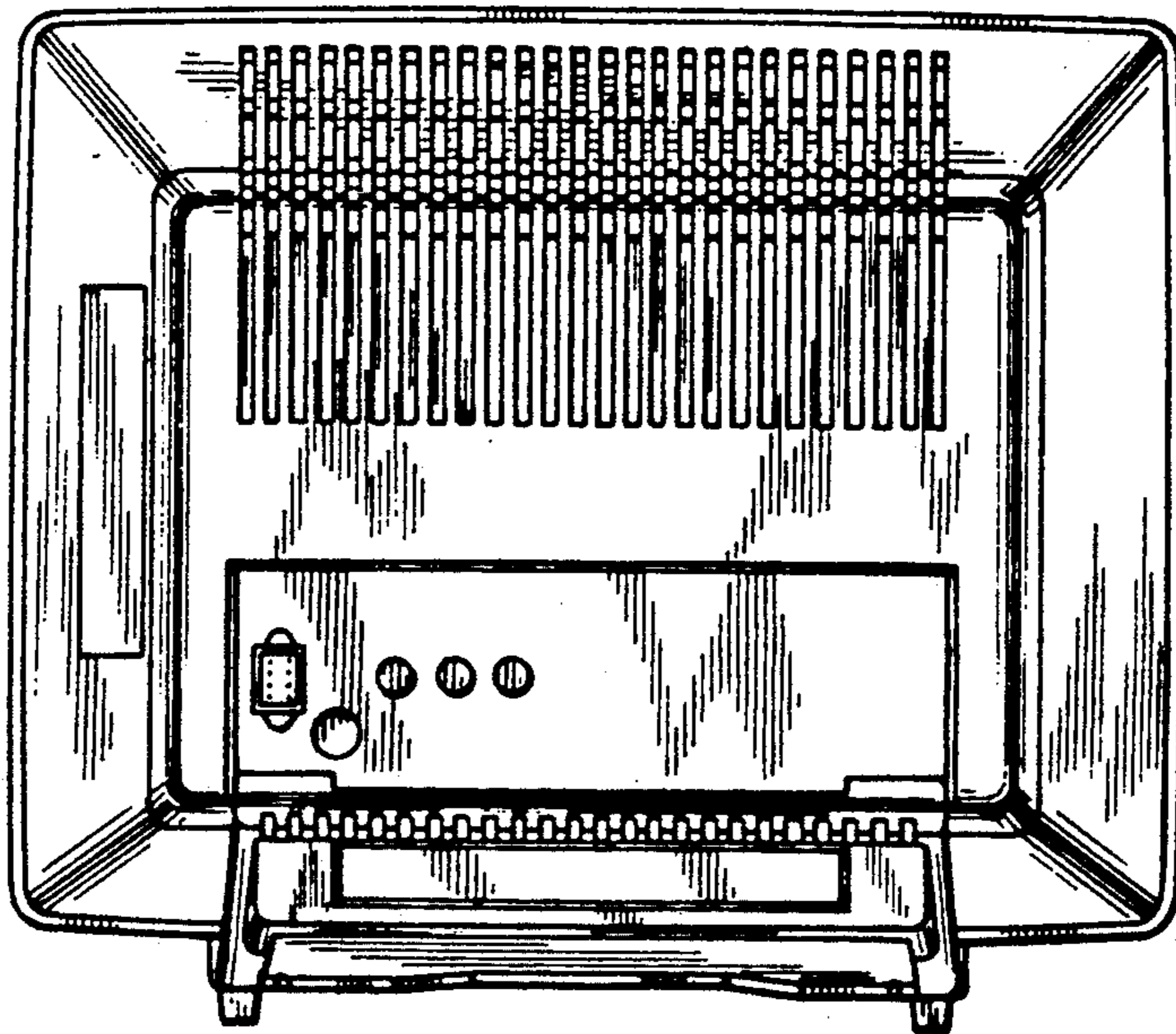
*FIG. 4*



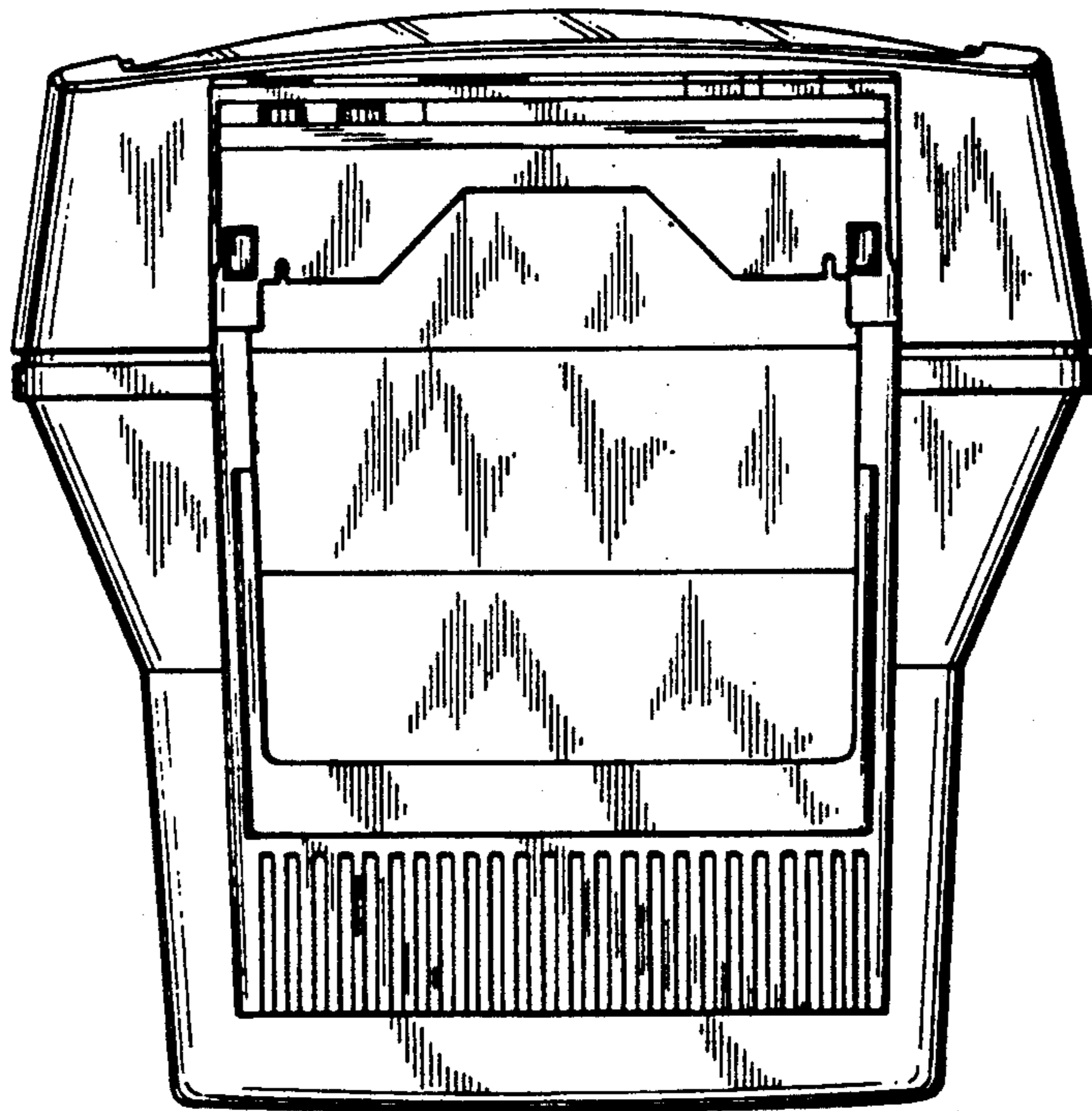
*FIG. 5*



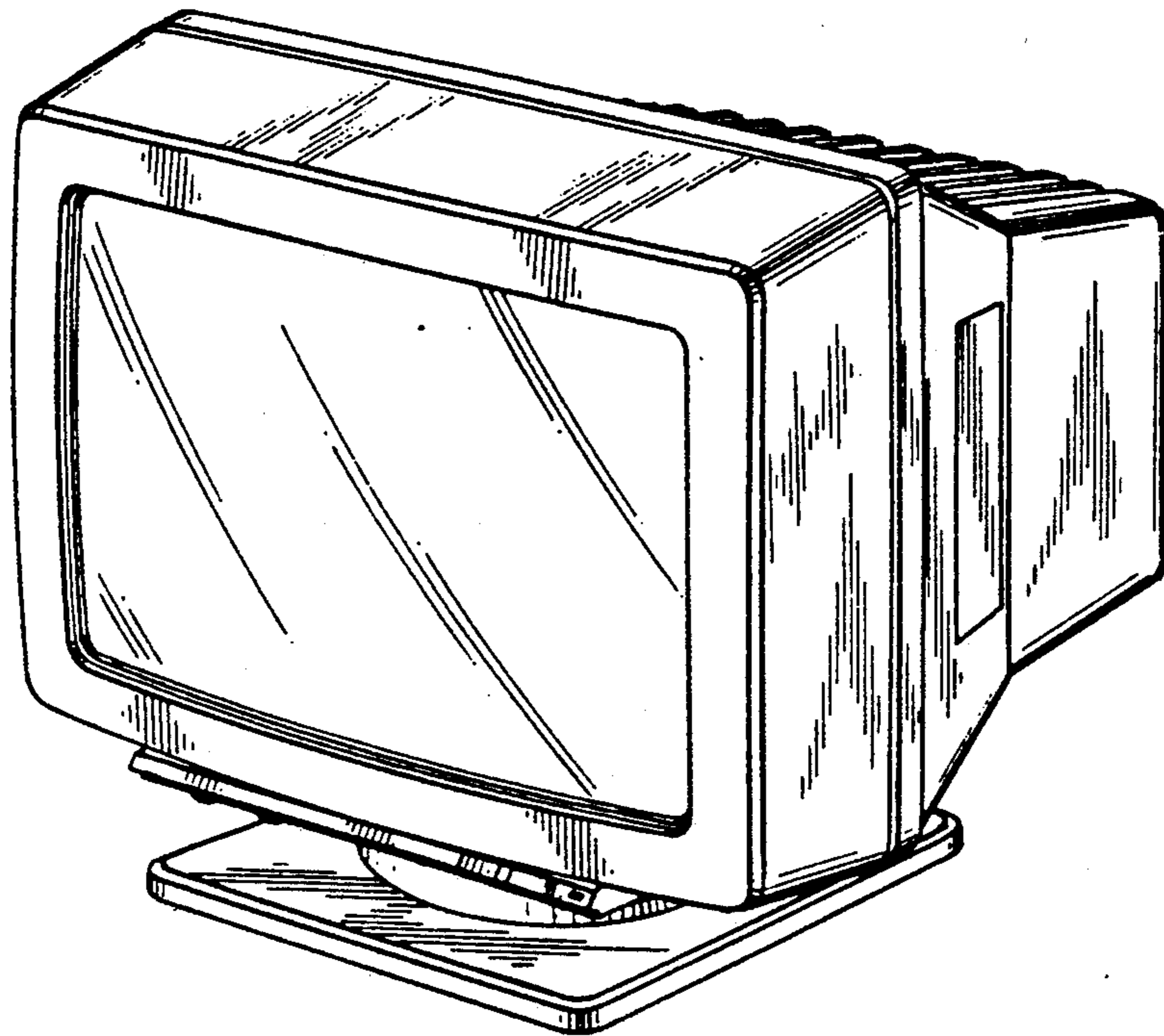
*FIG. 6*



*FIG. 7*



*FIG. 8*



*FIG. 9*

