

[54] ALTERNATOR TERMINAL COVER

[75] Inventors: Kouichi Hamaguchi, Yokkaichi; Shigeharu Adachi, Tokyo, both of Japan

[73] Assignee: Sumitomo Wiring Systems, Ltd., Yokkaichi, Japan

[\*\*] Term: 14 Years

[21] Appl. No.: 99,831

[22] Filed: Sep. 16, 1987

[30] Foreign Application Priority Data

Mar. 19, 1987 [JP] Japan ..... 62-10299

[52] U.S. Cl. .... D13/156

[58] Field of Search ..... D13/156, 133, 137, 145; 174/77.5, 77.1; 439/149, 125, 367, 892, 893

[56] References Cited

U.S. PATENT DOCUMENTS

D. 204,136 3/1966 Schaefer ..... D13/133  
2,916,719 12/1959 Toms ..... 174/77.5

FOREIGN PATENT DOCUMENTS

0545627 7/1956 Italy ..... 174/77.1

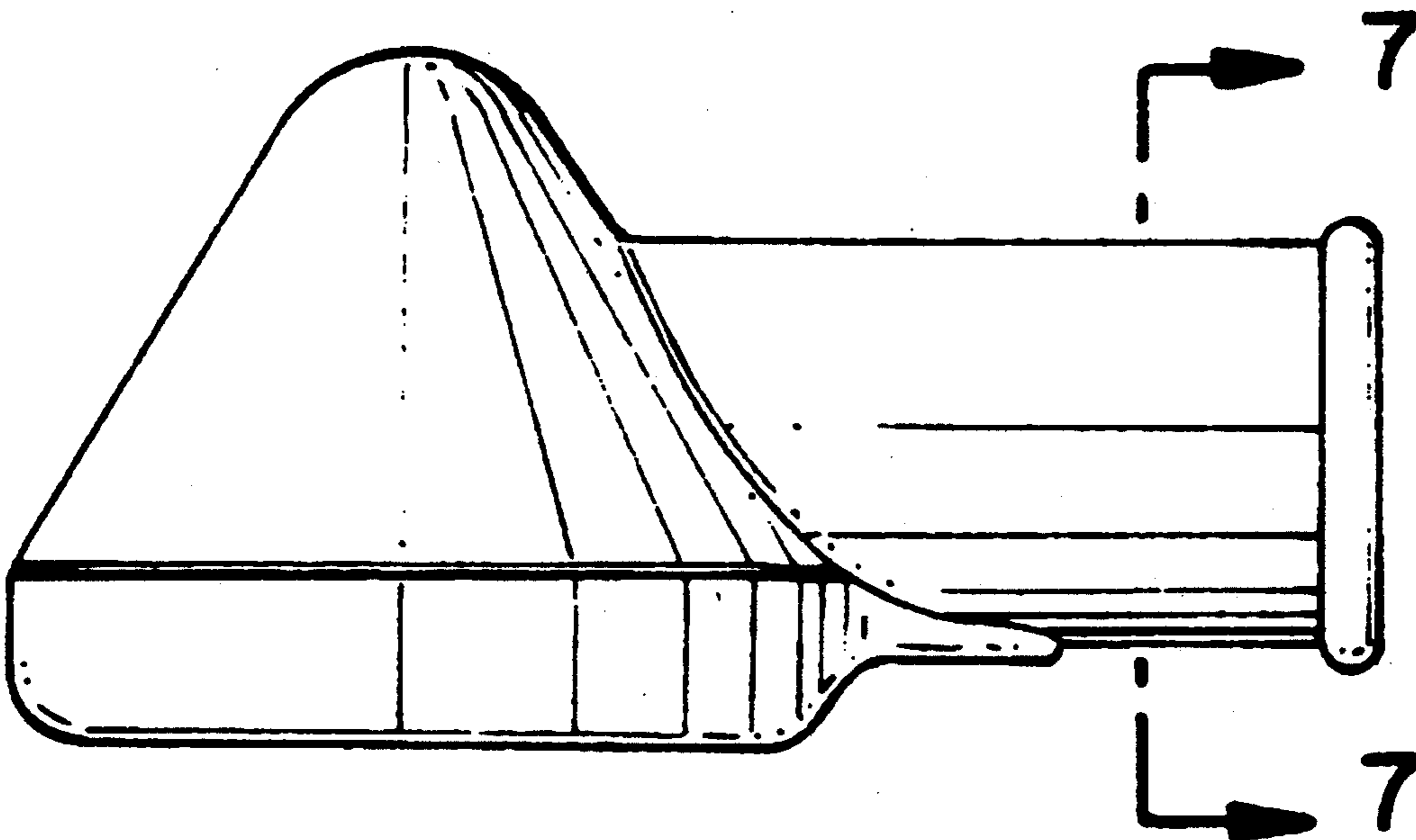
Primary Examiner—James M. Gandy  
Assistant Examiner—Melody Brown  
Attorney, Agent, or Firm—Liddy Sullivan Galway  
Belger & Peroff

[57] CLAIM

The ornamental design for an alternator terminal cover, as shown and described.

DESCRIPTION

FIG. 1 is a top plan view showing the alternator terminal cover of our new design;  
FIG. 2 is a left side elevational view thereof;  
FIG. 3 is a front elevational view thereof;  
FIG. 4 is a bottom plan view thereof;  
FIG. 5 is a right side elevational view thereof;  
FIG. 6 is a sectional view thereof taken along the lines 6—6 of FIG. 5; and  
FIG. 7 is a sectional view thereof taken along the lines 7—7 of FIG. 3.



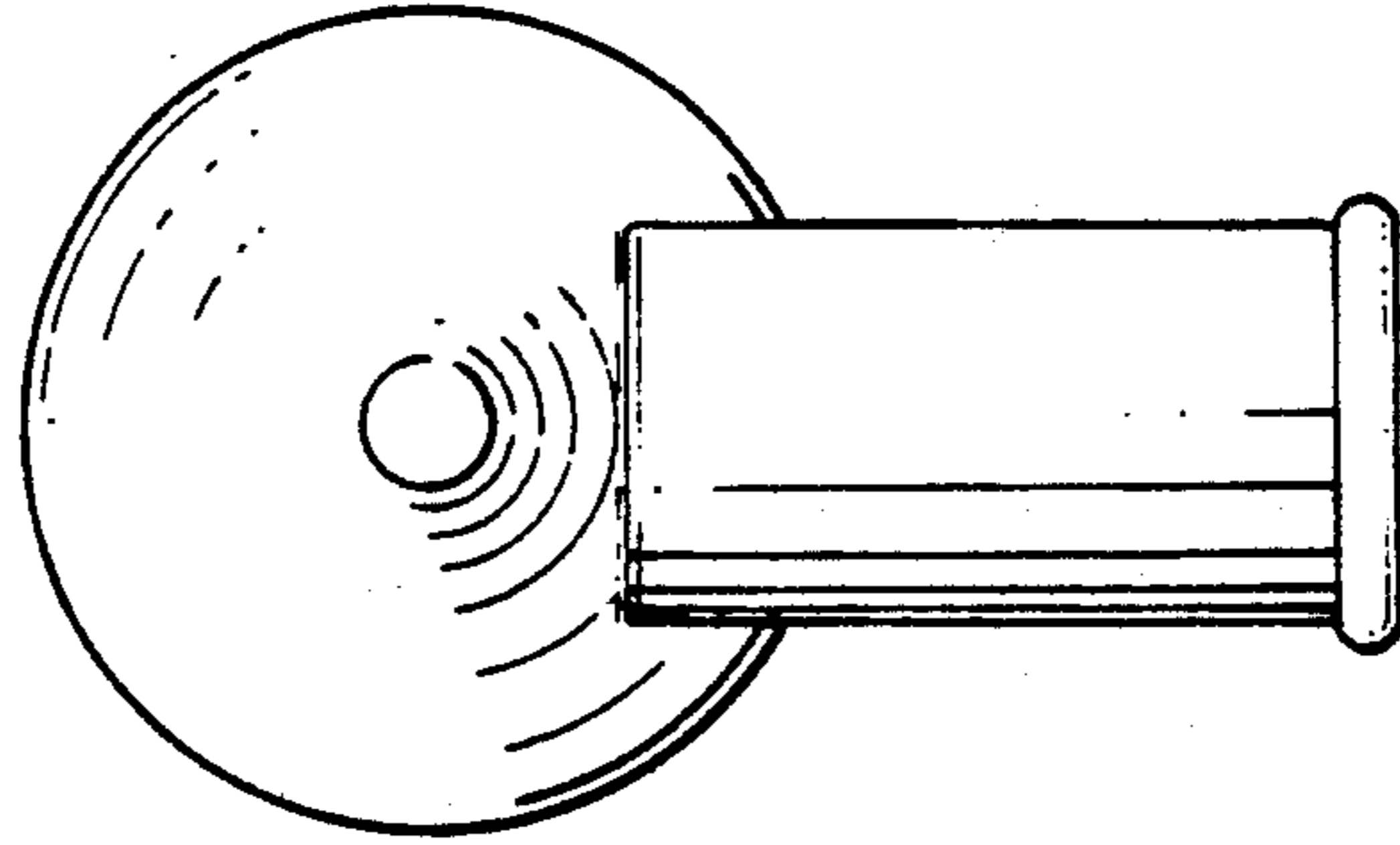


FIG. 1

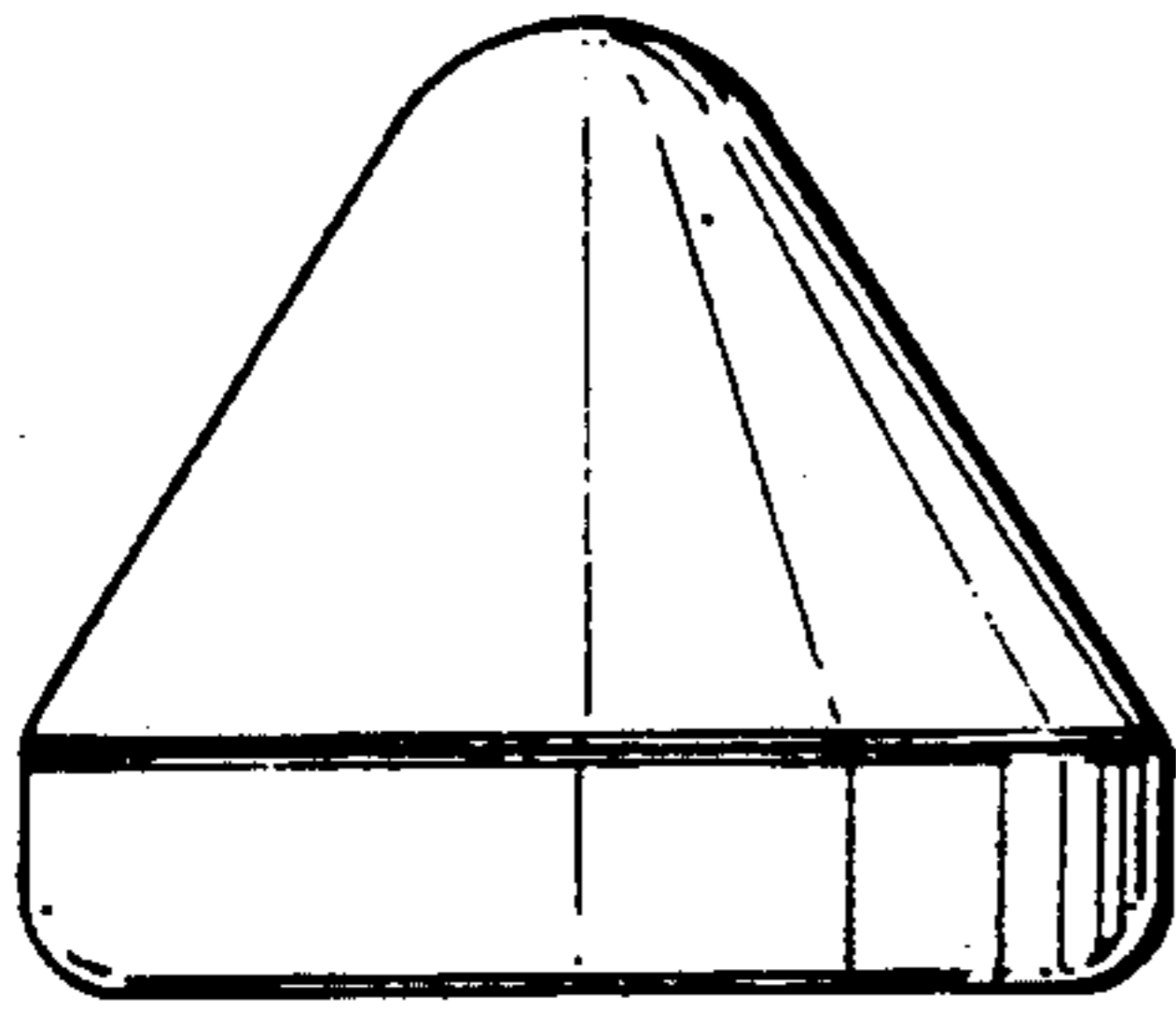


FIG. 2

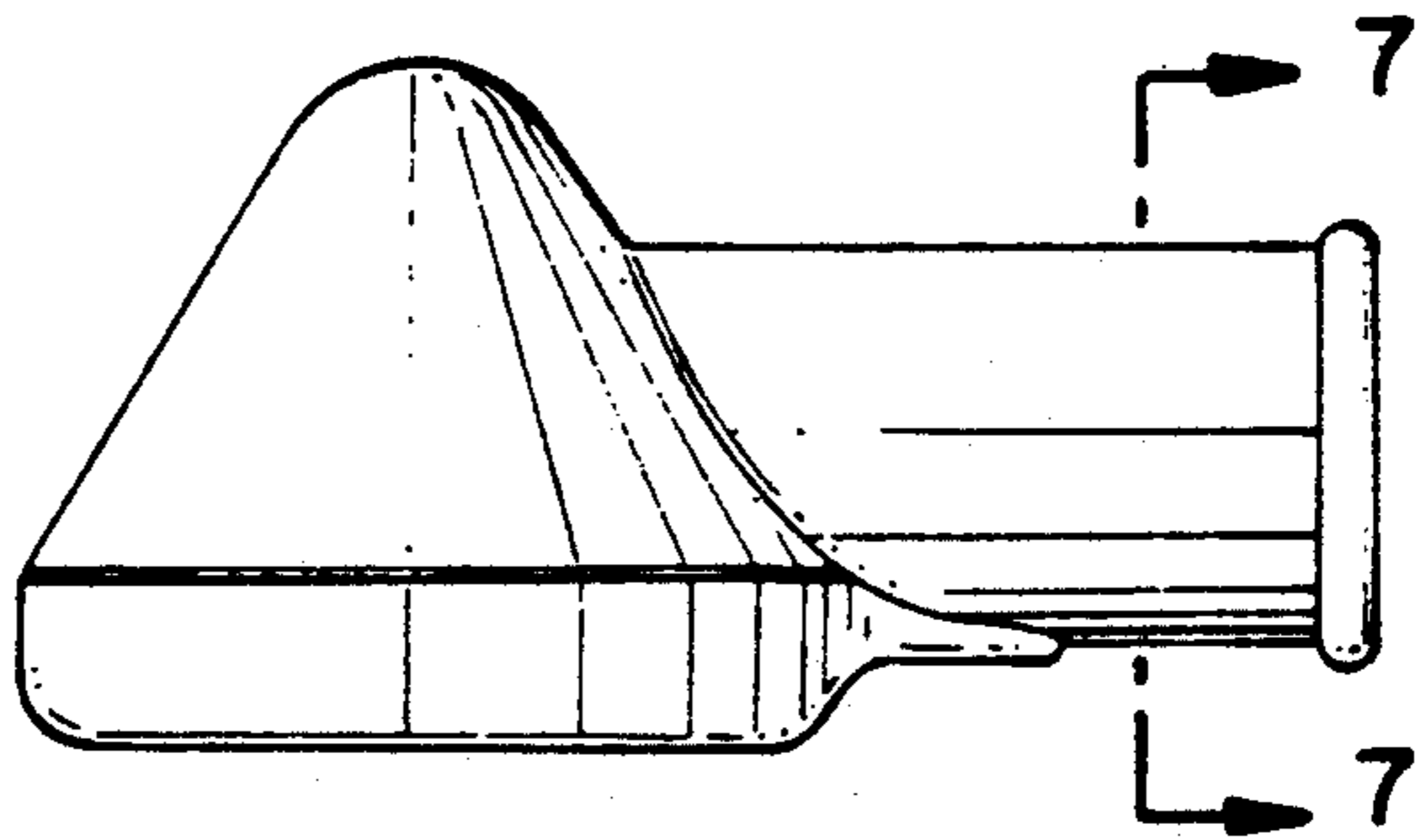


FIG. 3

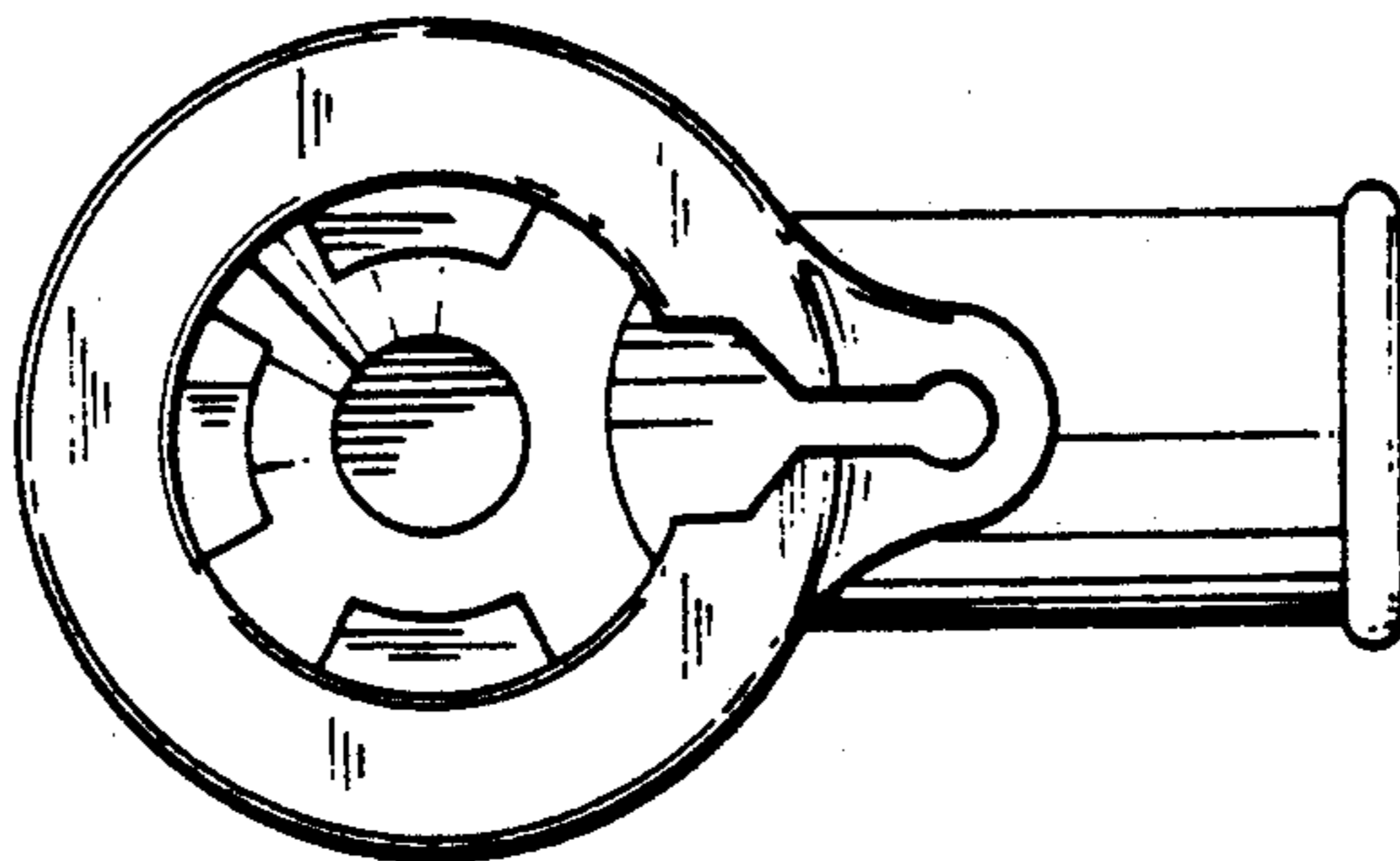


FIG. 4

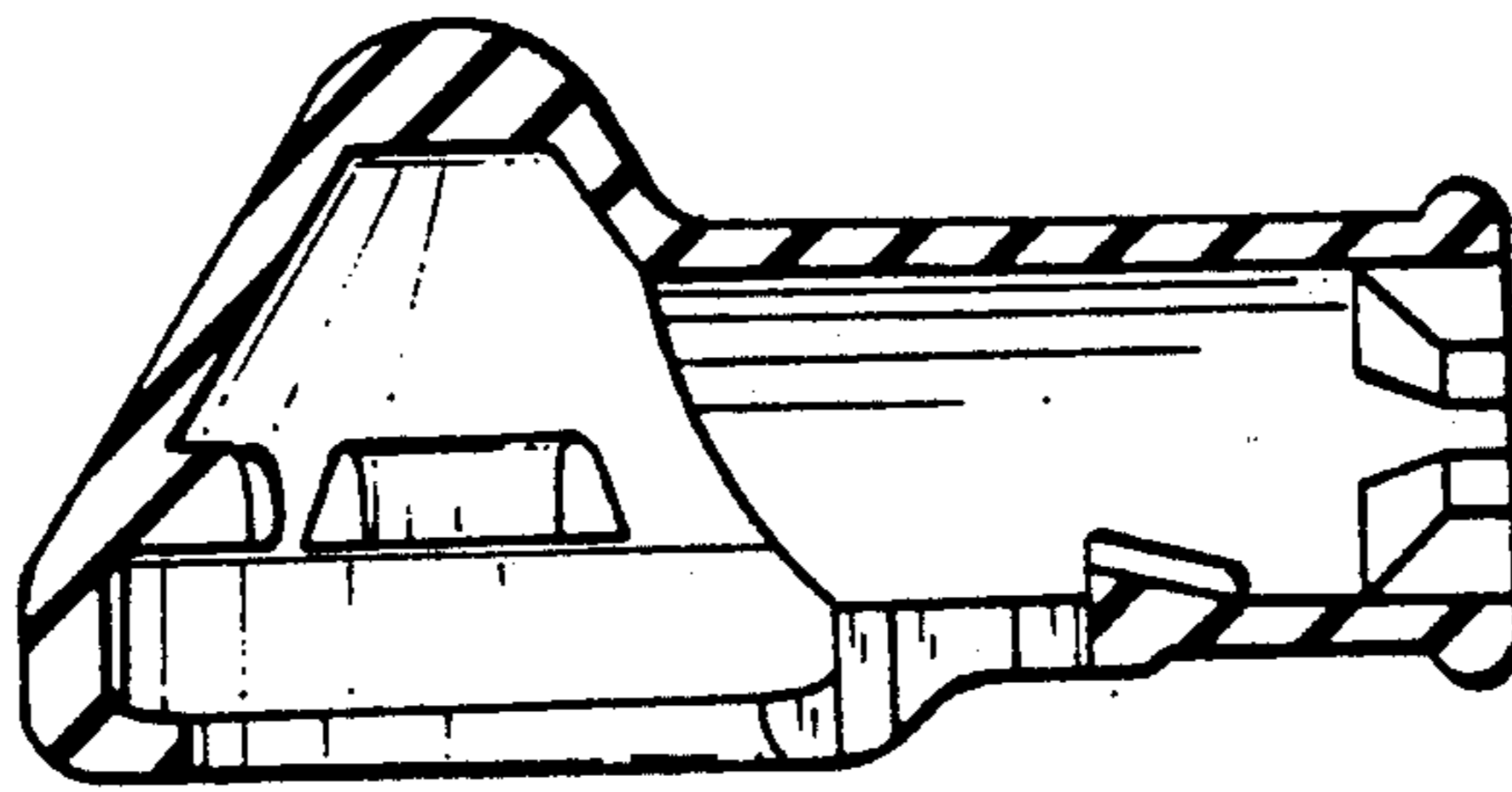
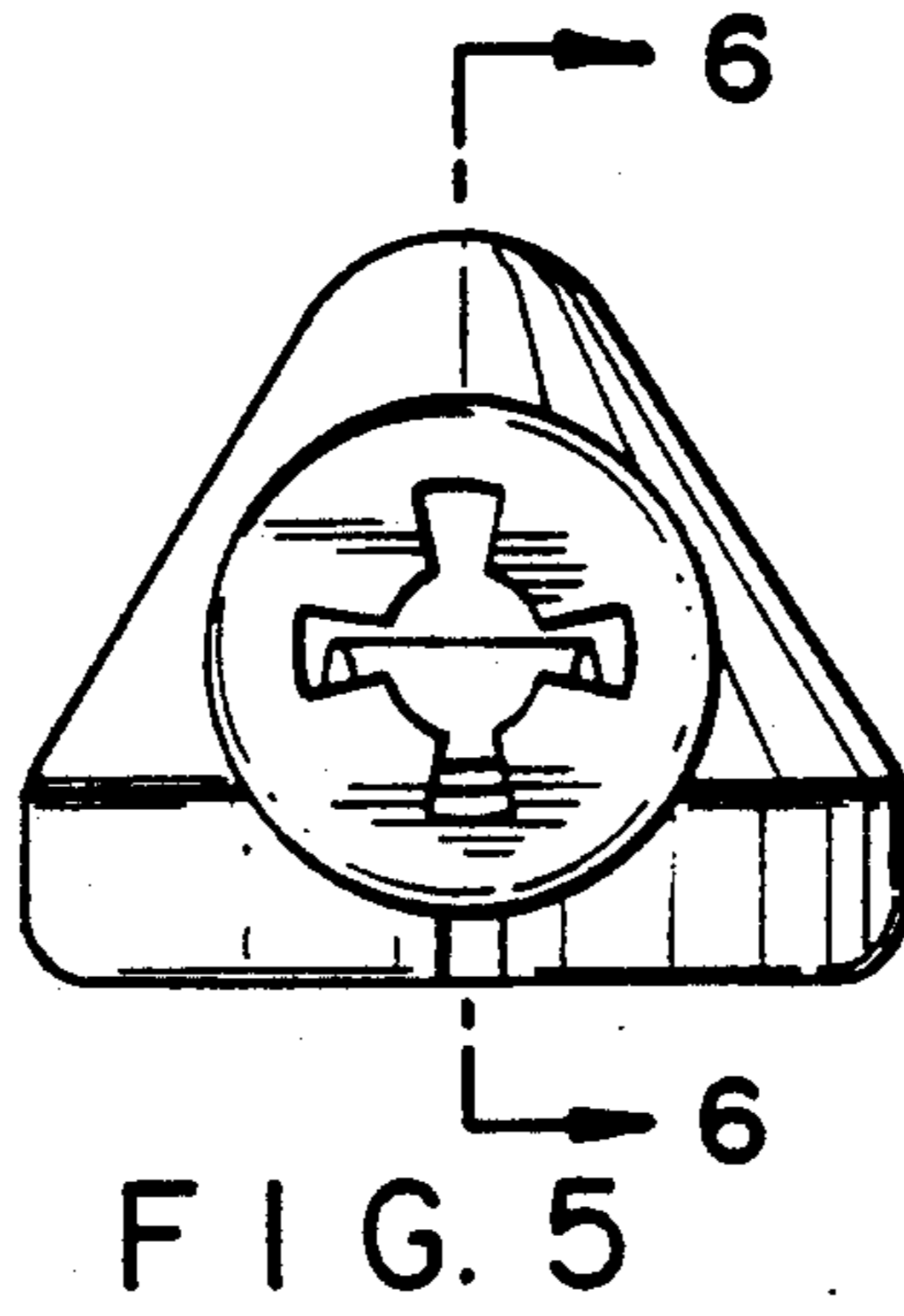


FIG. 6

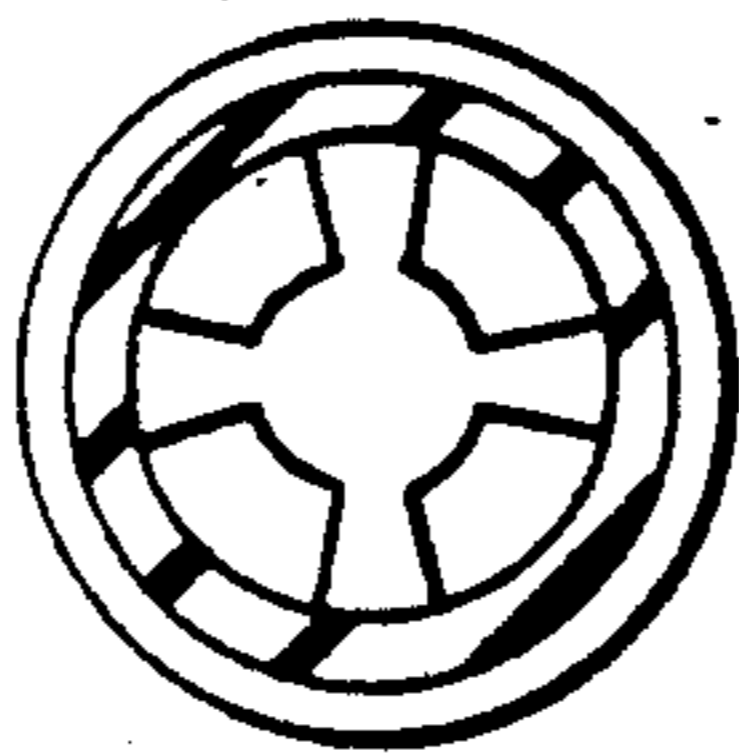


FIG. 7