

[54] CATHODE RAY TUBE SOCKET

4,649,315 3/1987 Inaba et al. 439/613 X

[75] Inventors: Hirofumi Inaba; Yasunori Nishikawa, both of Yao, Japan

Primary Examiner—Susan J. Lucas
Assistant Examiner—J. Sincavage
Attorney, Agent, or Firm—Pollock, Vande Sande and Priddy

[73] Assignee: Hosiden Electronics Co., Ltd., Osaka, Japan

[**] Term: 14 Years

[57] CLAIM

The ornamental design for a cathode ray tube socket, as shown and described.

[21] Appl. No.: 295,943

[22] Filed: Jan. 11, 1989

DESCRIPTION

[30] Foreign Application Priority Data

FIG. 1 is a perspective view of a cathode ray tube socket showing my new design;
FIG. 2 is a front elevational view thereof;
FIG. 3 is a rear elevational view thereof;
FIG. 4 is a right side elevational view thereof;
FIG. 5 is a left side elevational view thereof;
FIG. 6 is a top plan view thereof;
FIG. 7 is a bottom plan view thereof;
FIG. 8 is a perspective view of a cathode ray tube socket showing a second embodiment of my new design;
FIG. 9 is a front elevational view thereof;
FIG. 10 is a rear elevational view thereof;
FIG. 11 is a right side elevational view thereof;
FIG. 12 is a left side elevational view thereof;
FIG. 13 is a top plan view thereof;
FIG. 14 is a bottom plan view thereof.

Jul. 29, 1988 [JP] Japan 63-30612
Jul. 29, 1988 [JP] Japan 63-30613

[52] U.S. Cl. D13/146; D13/134

[58] Field of Search D13/133, 146, 147;
439/280, 325, 356, 366, 375, 602, 605, 611, 613,
618, 683; 313/318, 325

[56] References Cited

U.S. PATENT DOCUMENTS

D. 313,587	1/1991	Inaba et al.	D13/133 X
3,805,108	4/1974	Suzuki	439/683 X
3,818,278	6/1974	Adler	439/683 X
3,883,210	5/1975	Fujita et al.	439/683 X
4,075,531	2/1978	Marino	313/318 X
4,400,645	8/1983	Simovits, Jr. et al.	439/683 X

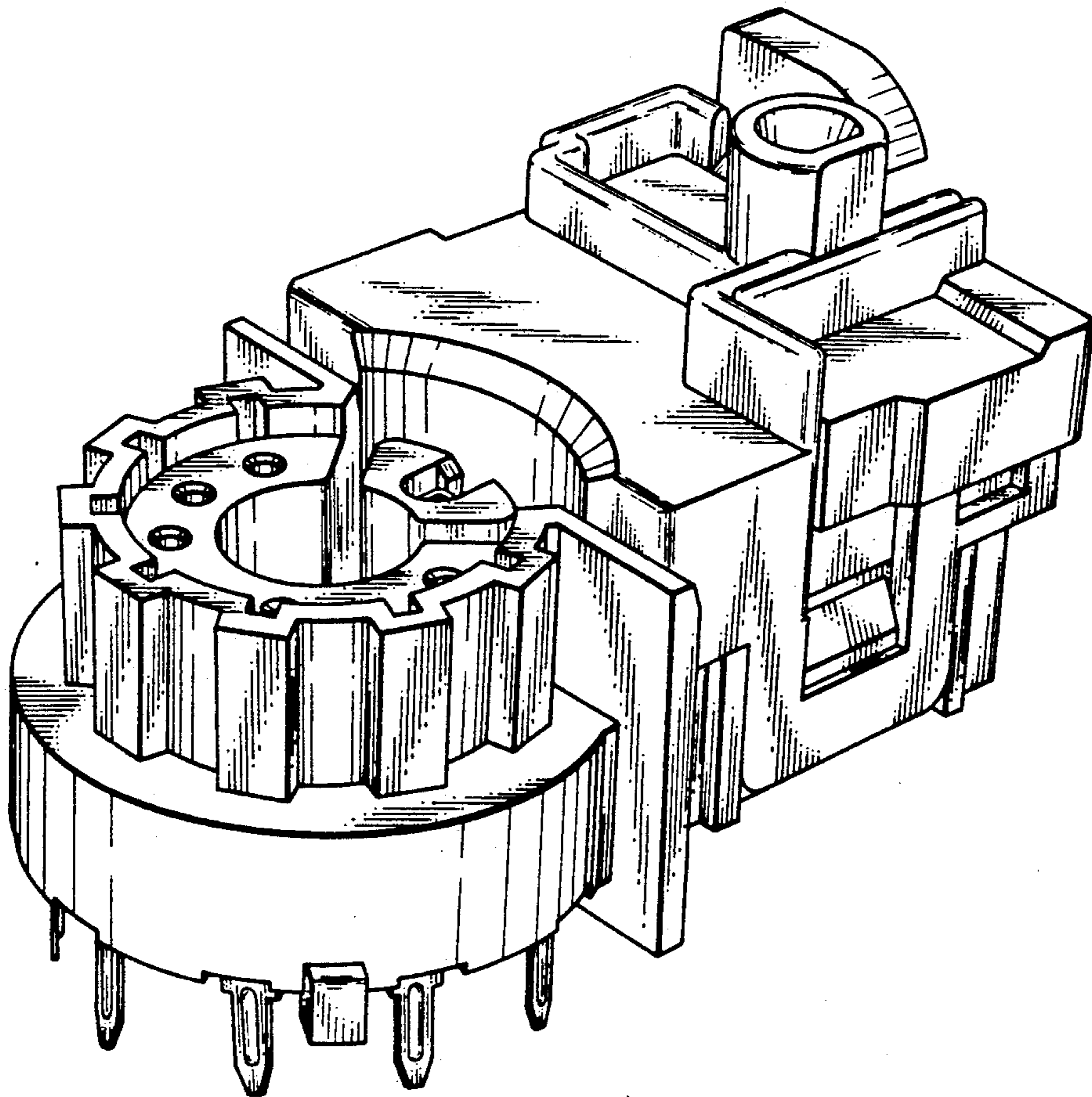


FIG. 1

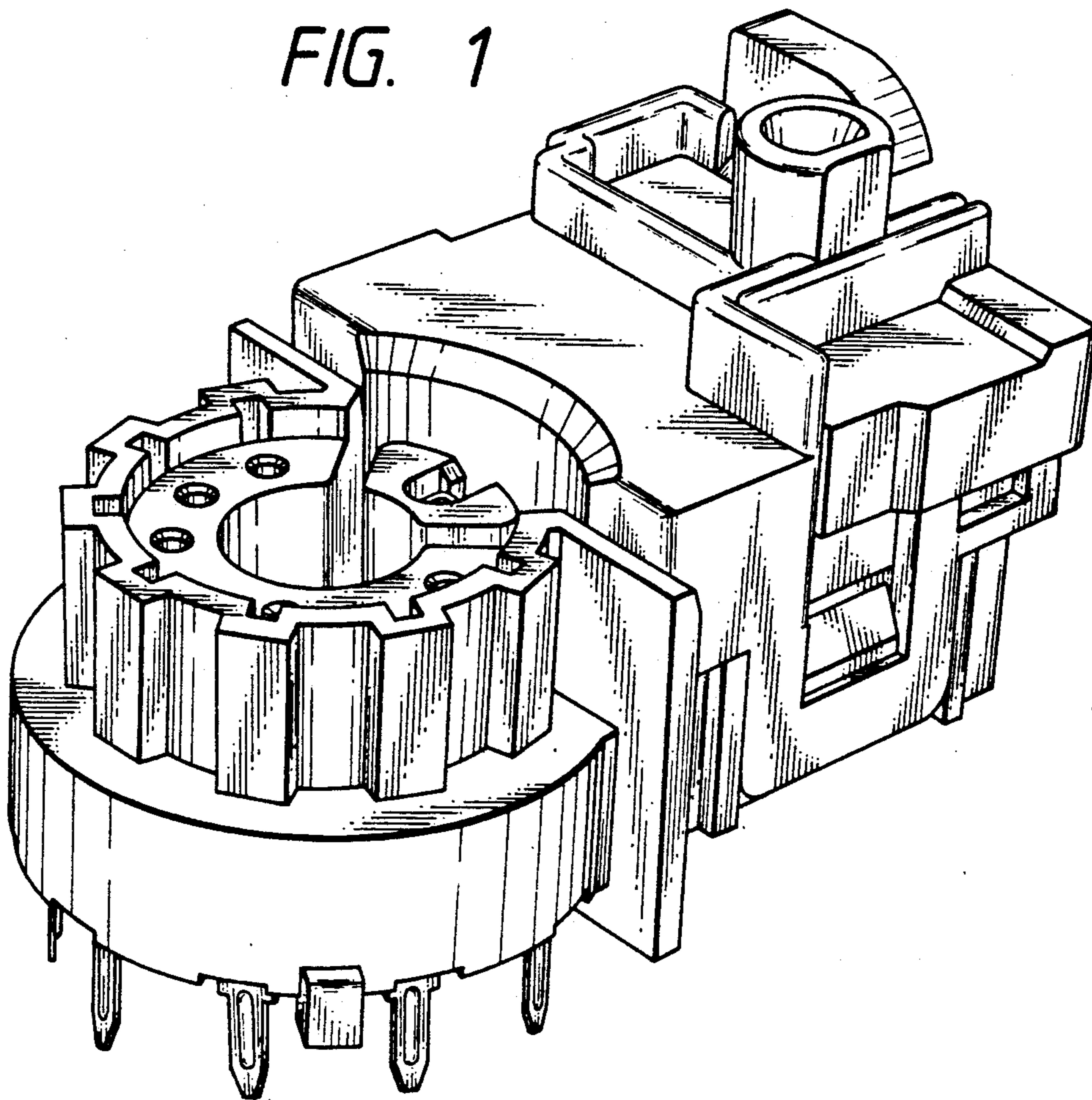


FIG. 2

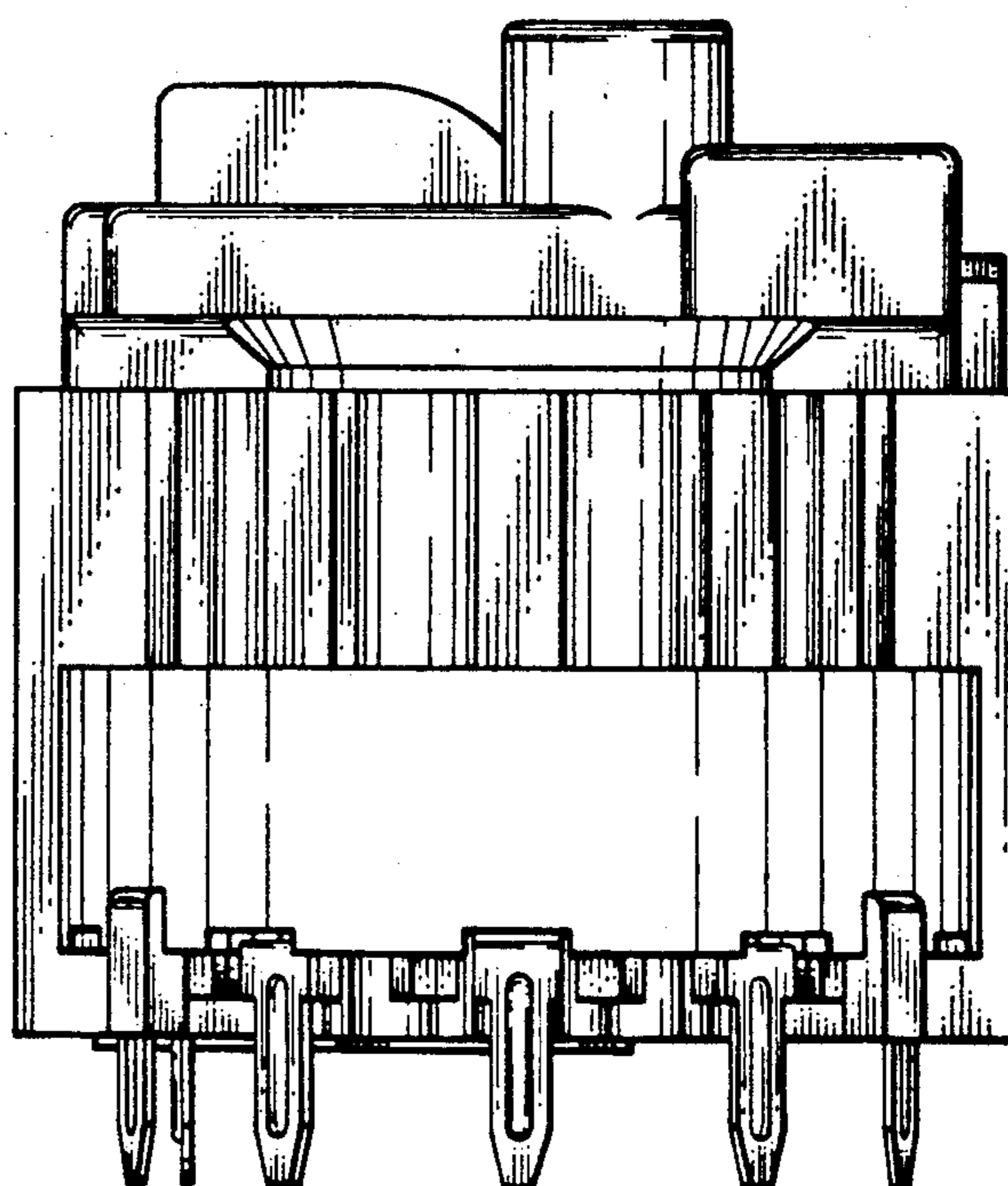


FIG. 3

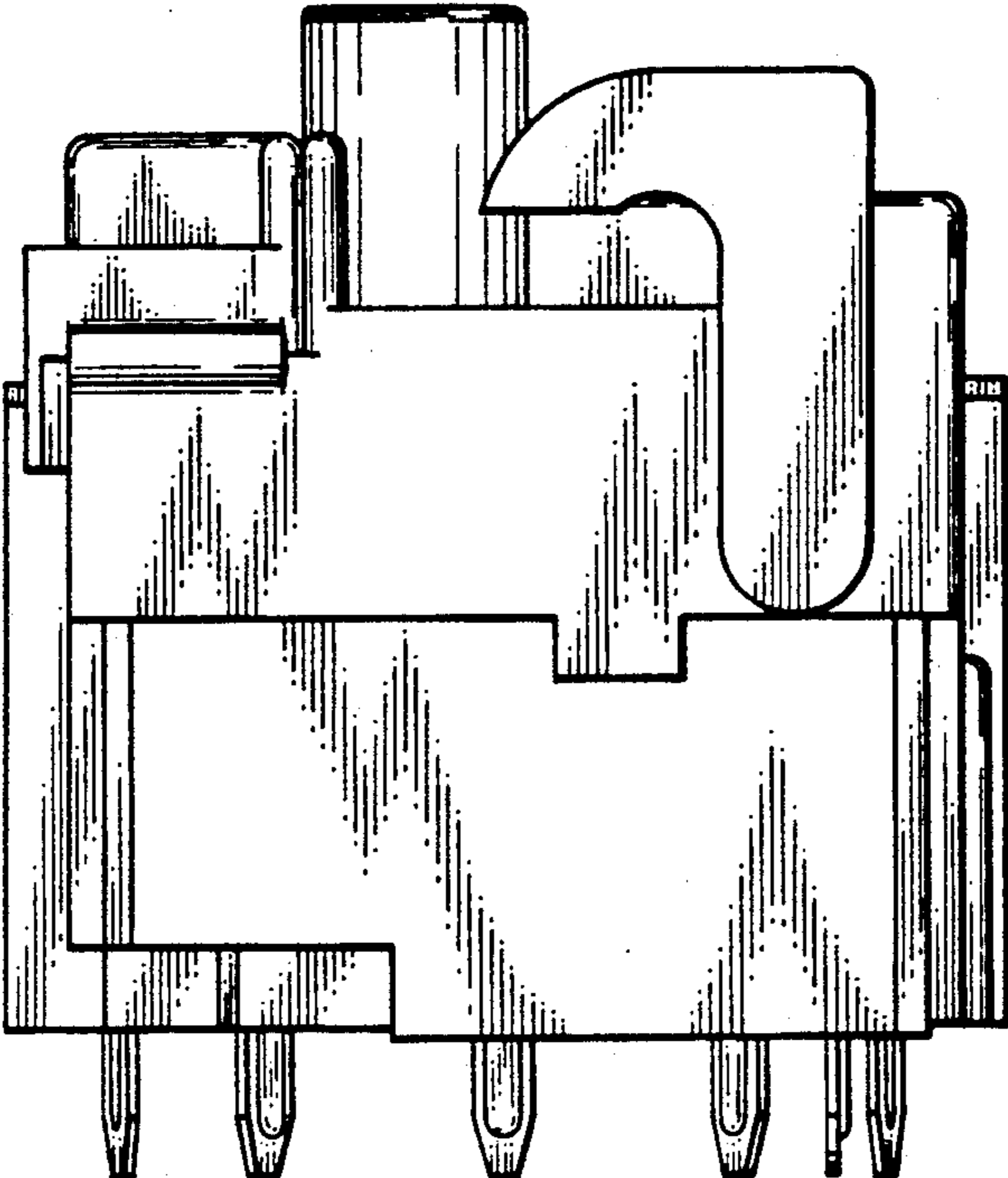


FIG. 4

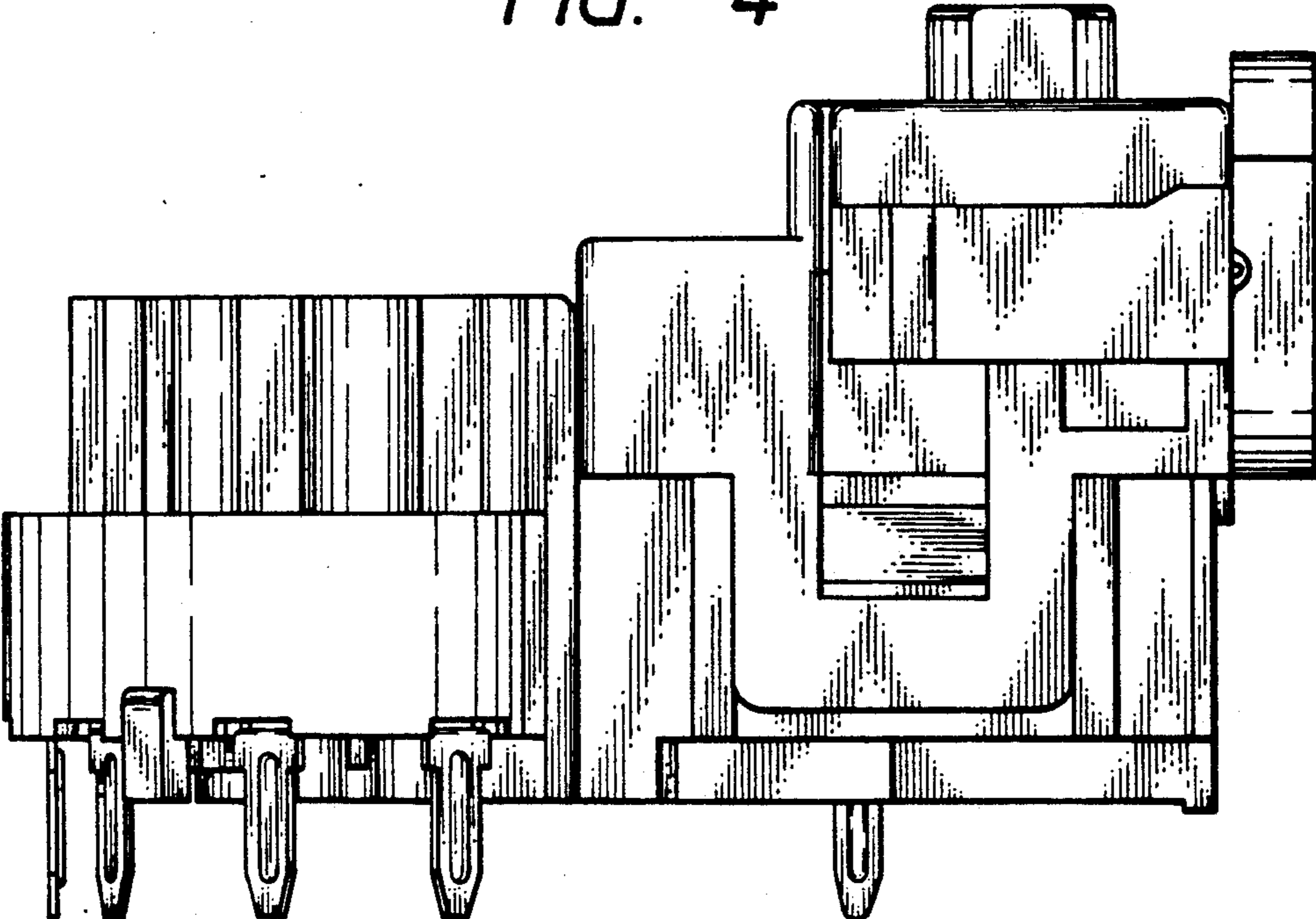


FIG. 5

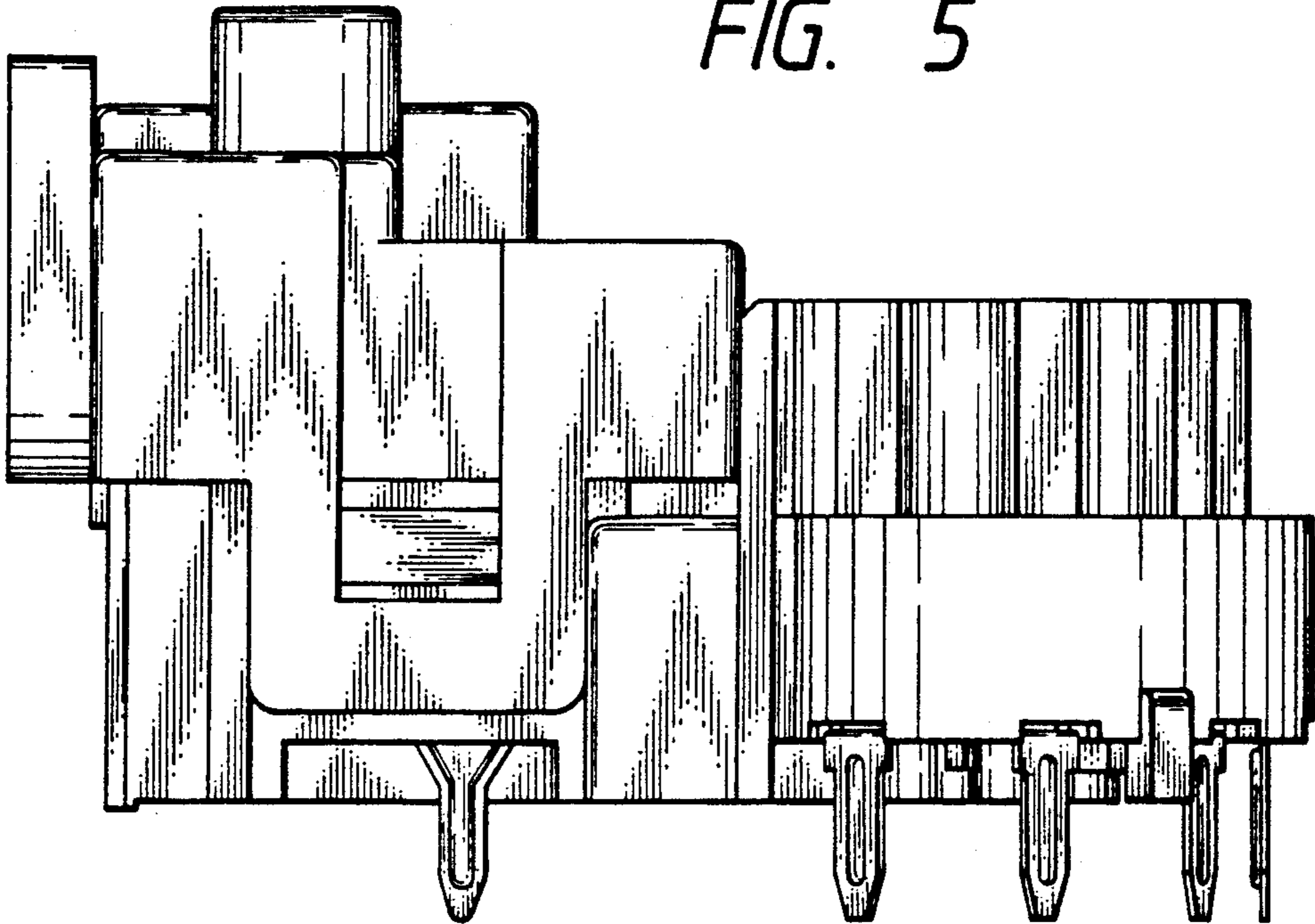


FIG. 6

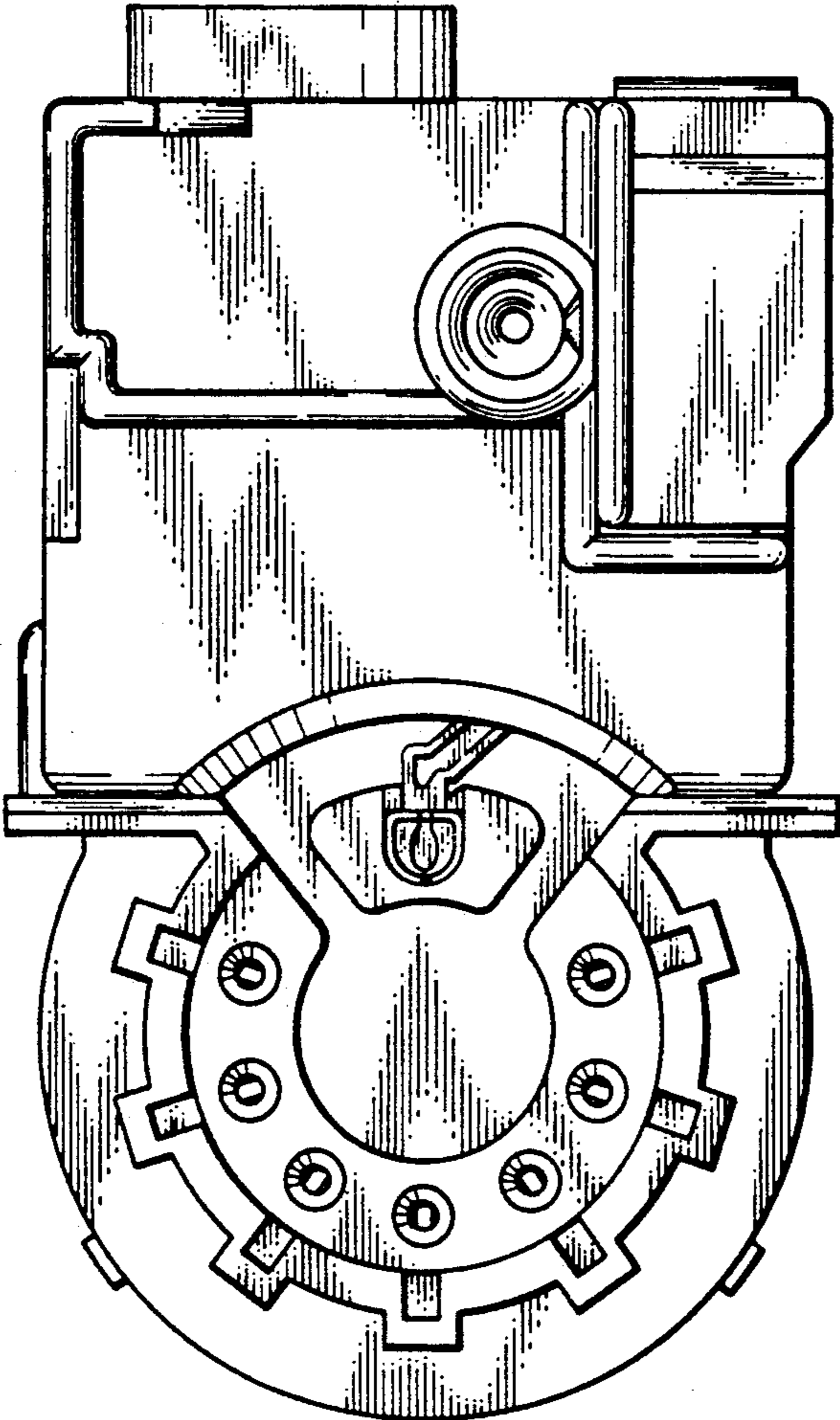


FIG. 7

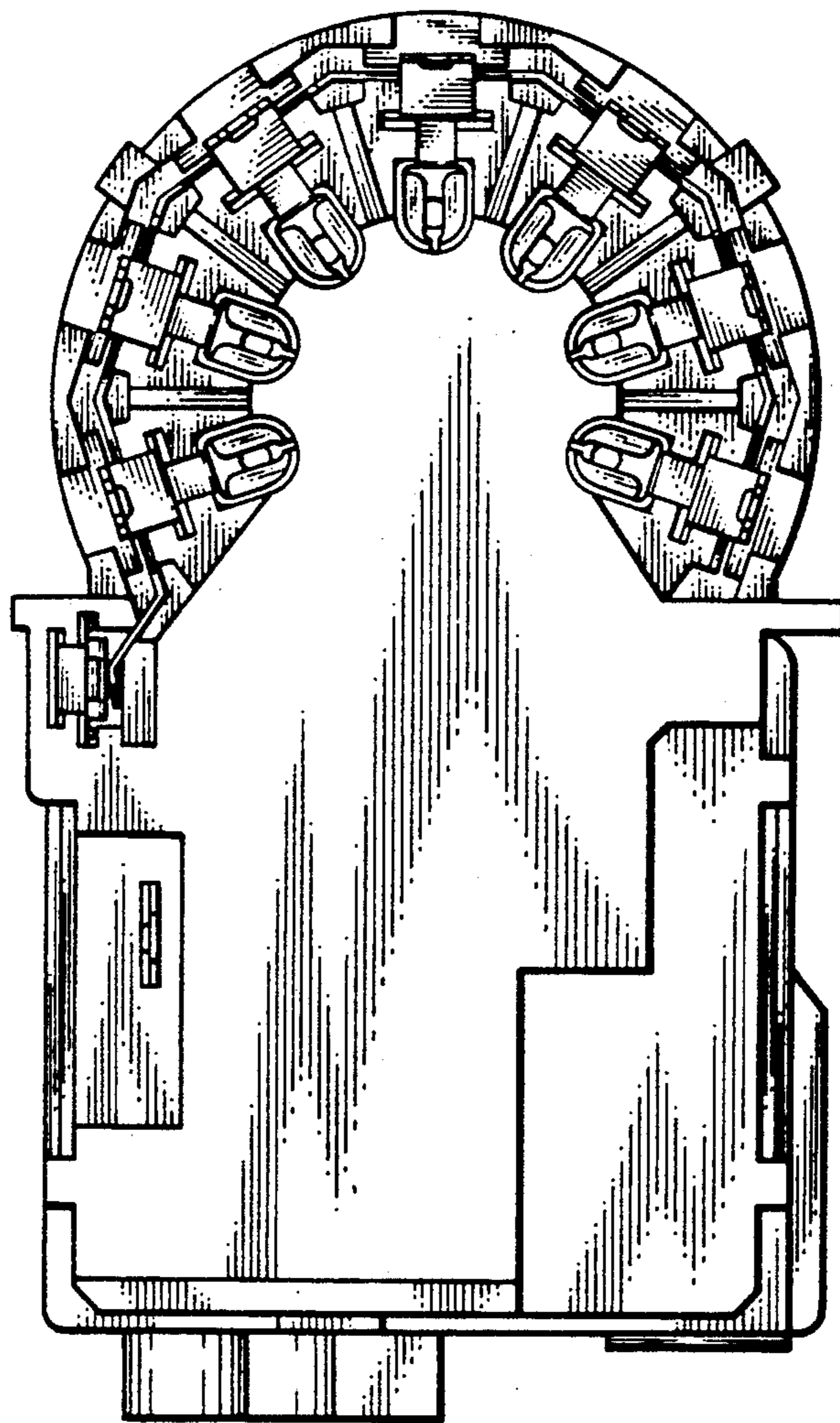


FIG. 8

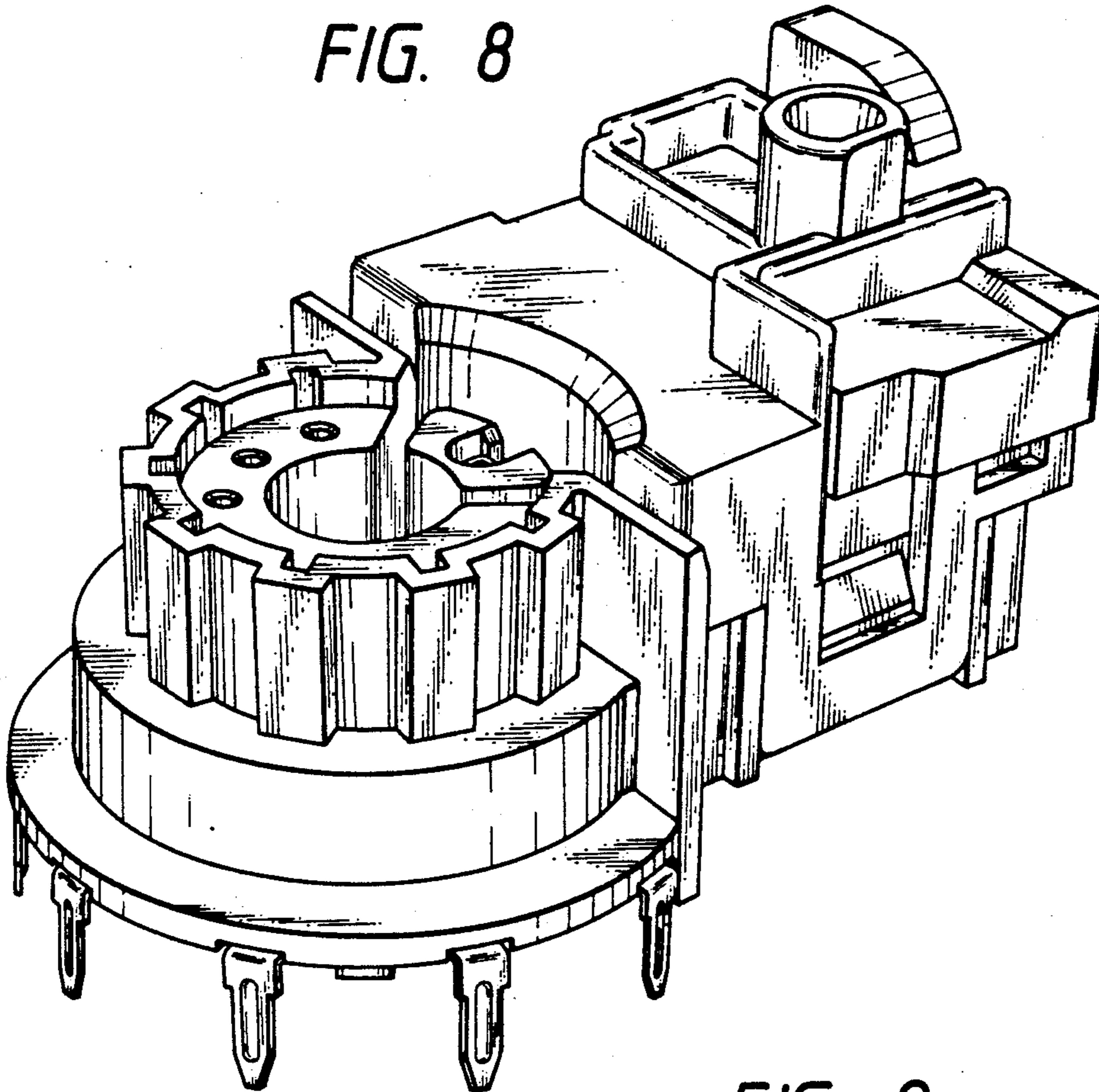


FIG. 9

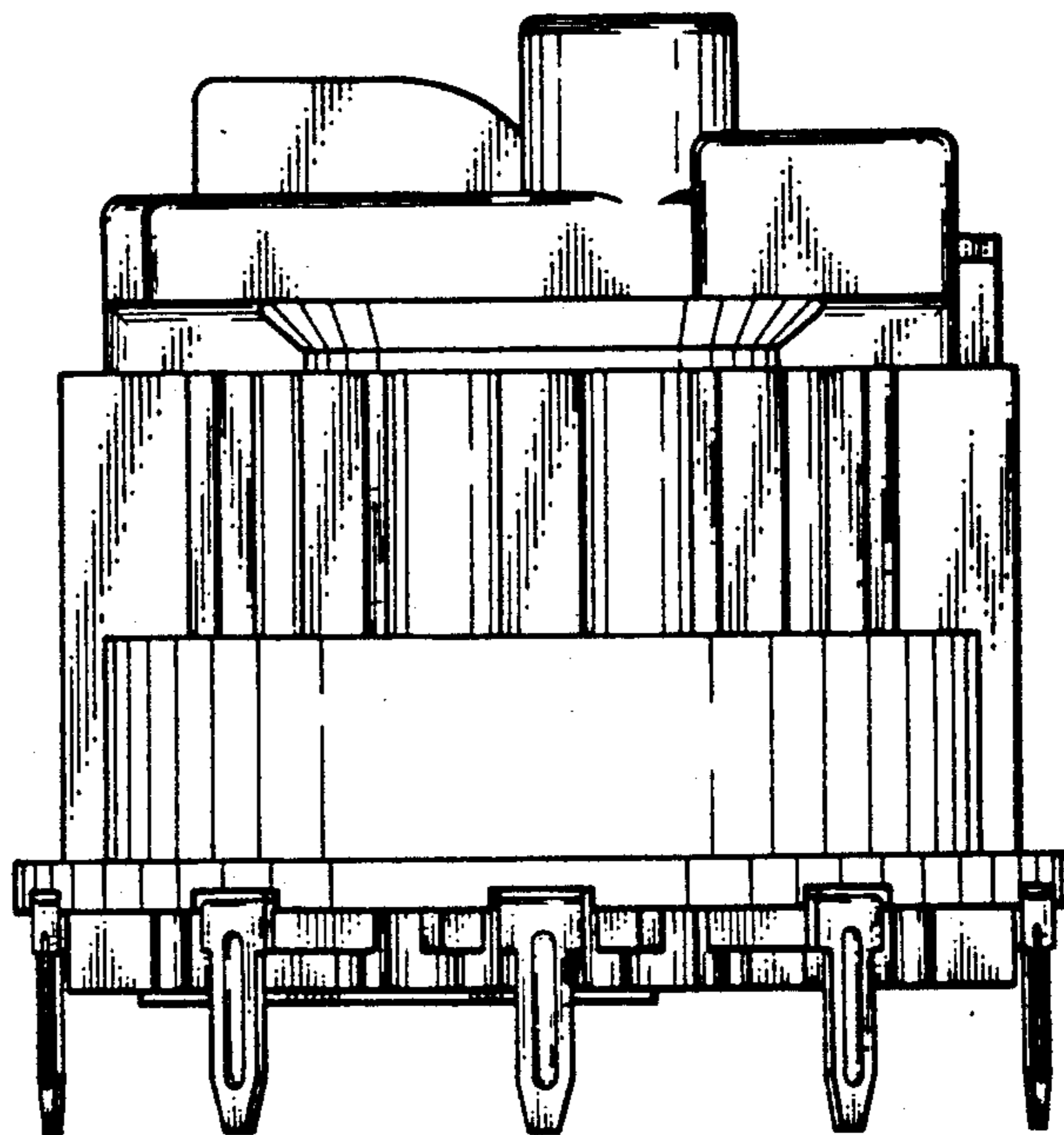


FIG. 10

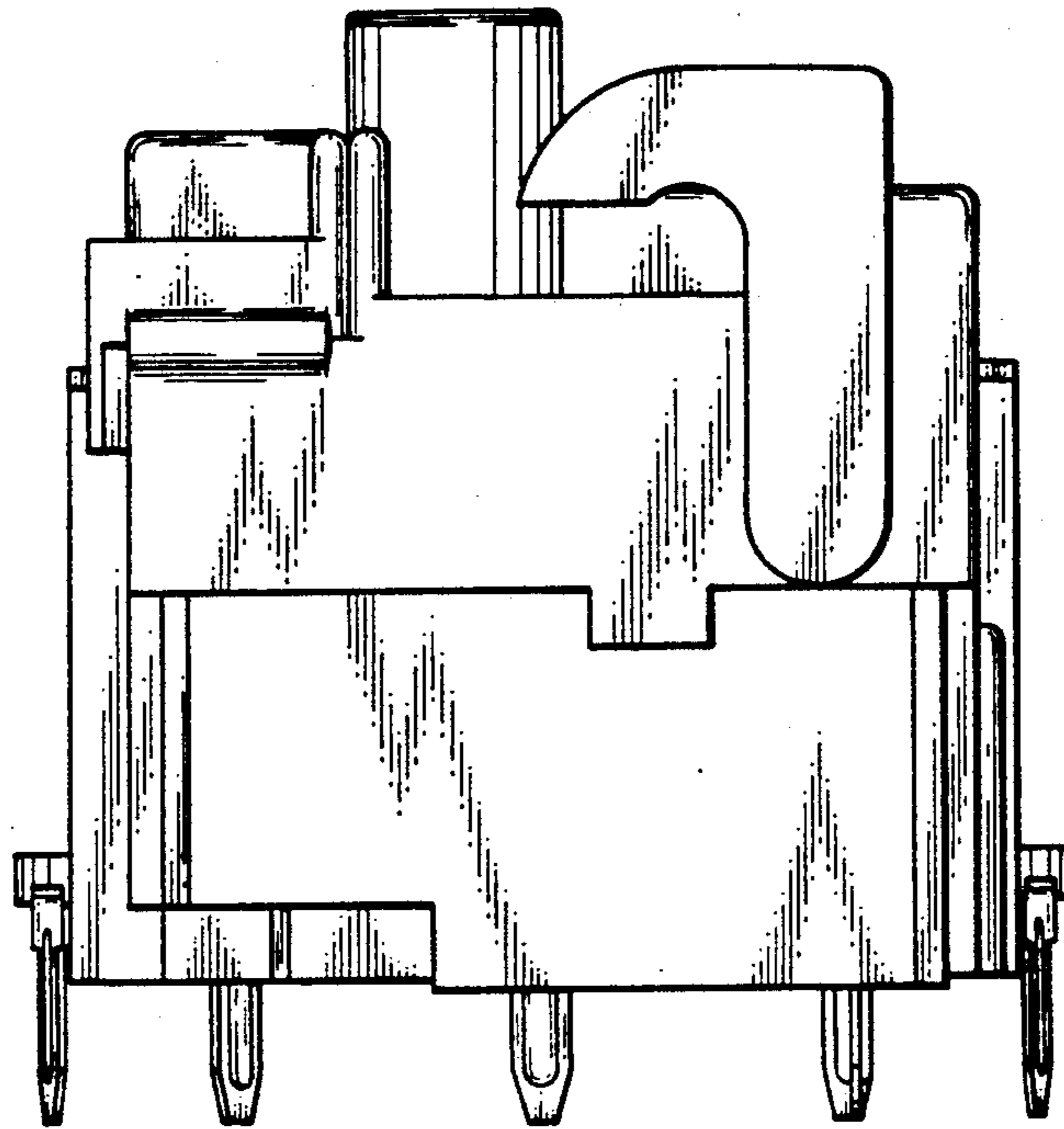


FIG. 11

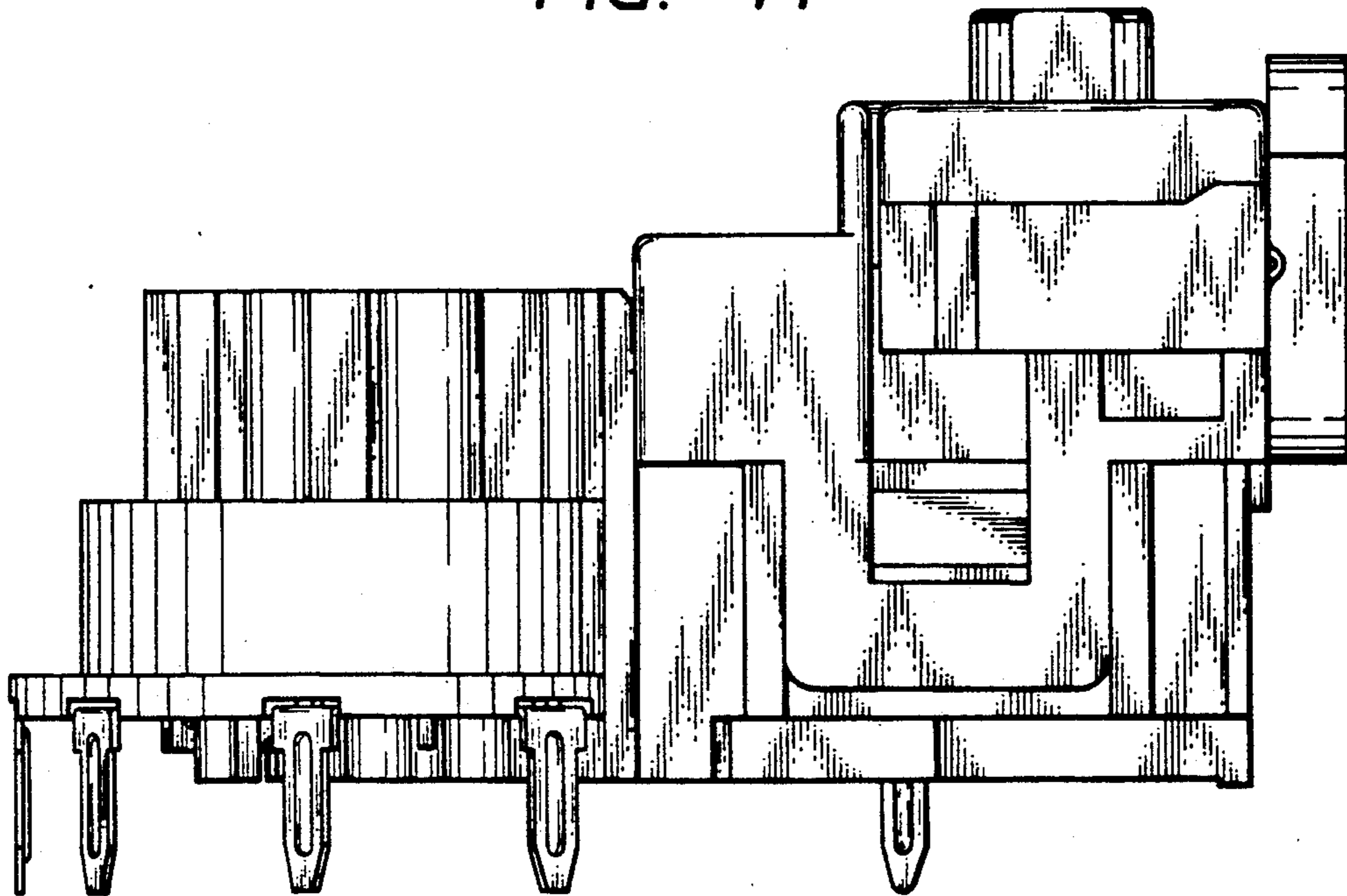


FIG. 12

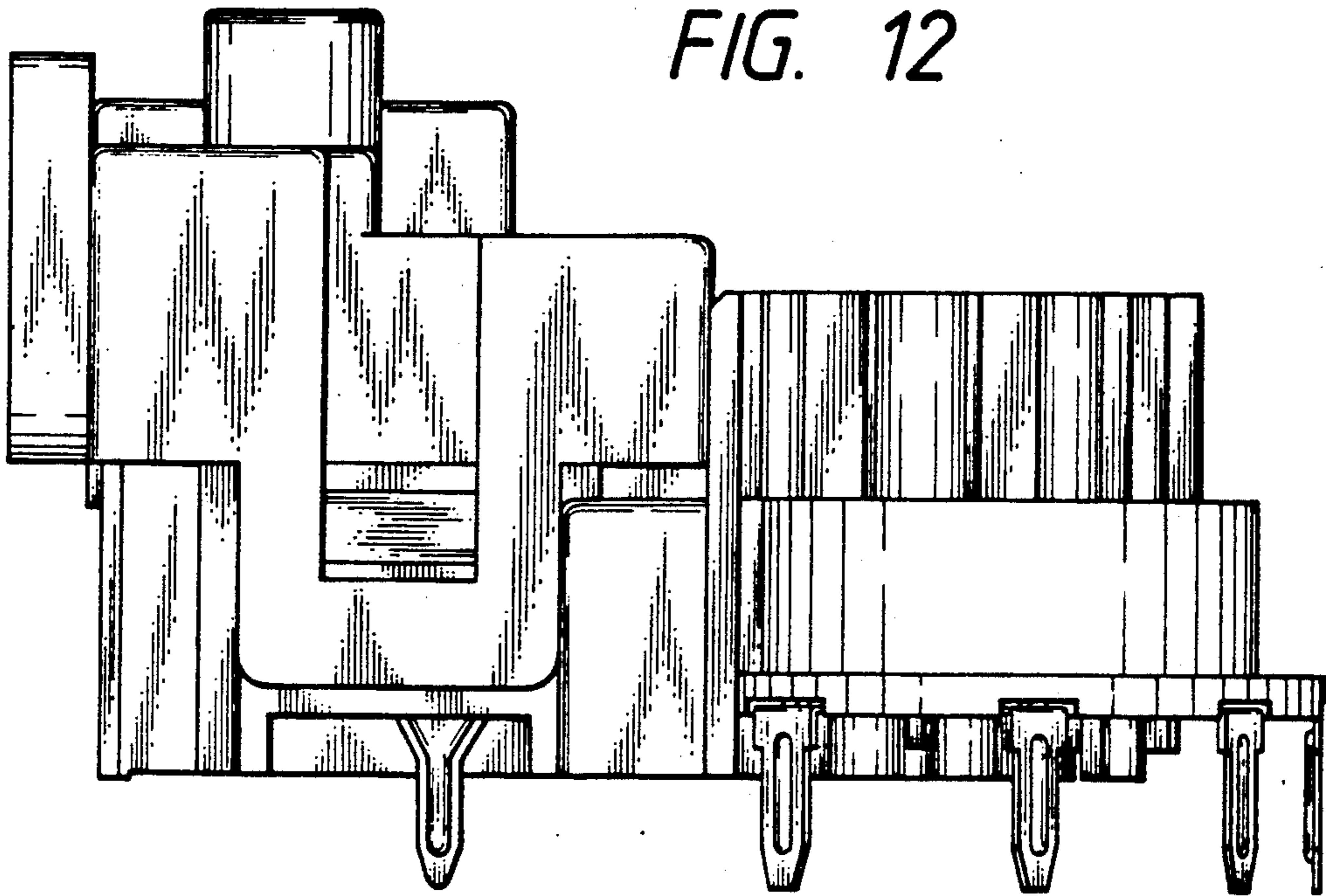


FIG. 13

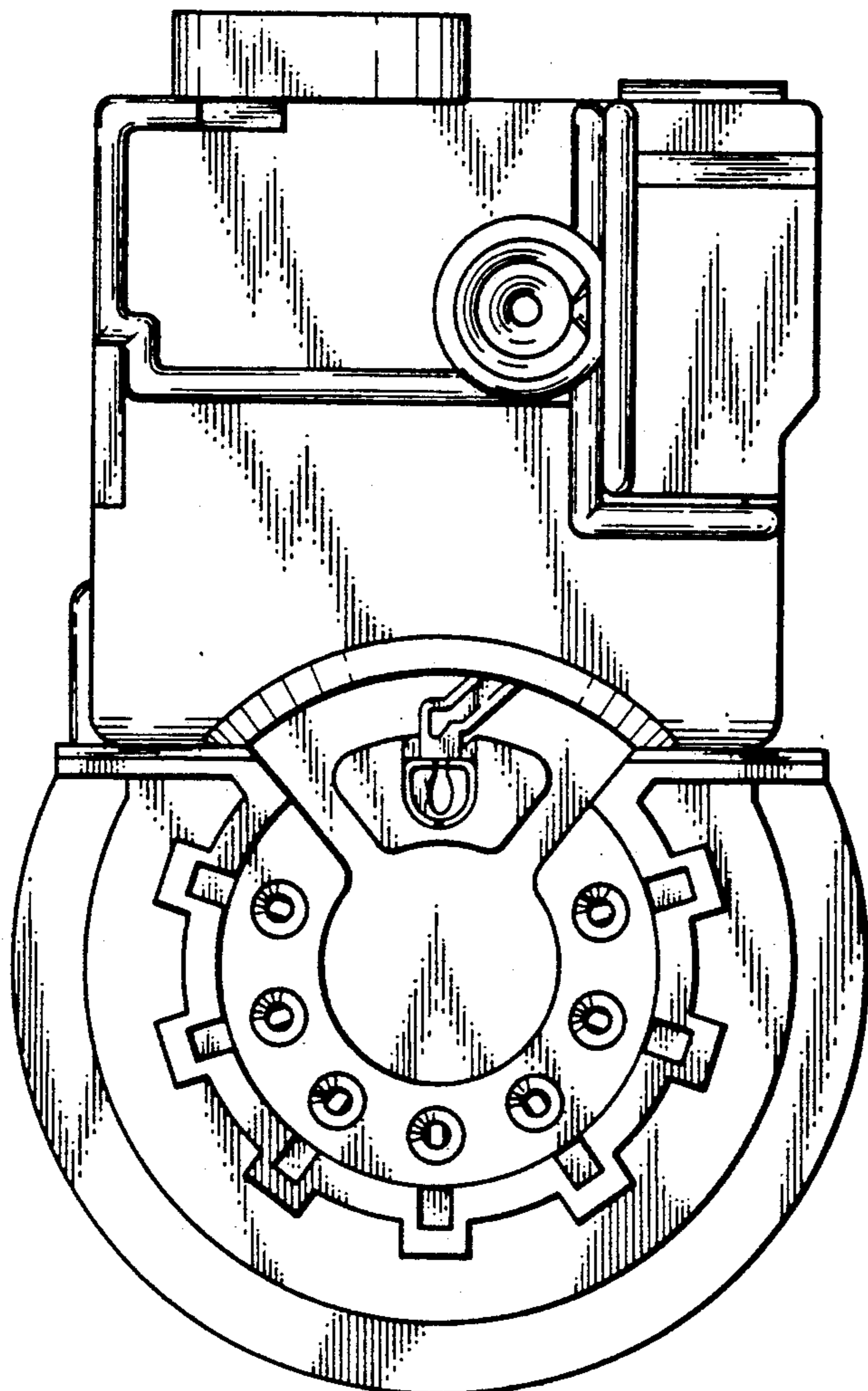


FIG. 14

