

[54] TRUCK MOUNTED TENT

[76] Inventors: David J. Magyar, 6524 Hamden, Parma Hts., Ohio 44130; Julius Magyar, 5527 W. 48 St., Parma, Ohio 44134

[\*\*] Term: 14 Years

[21] Appl. No.: 344,082

[22] Filed: Apr. 27, 1989

[52] U.S. Cl. .... D12/156

[58] Field of Search ..... D12/156; D21/253; 296/10, 99.1, 100, 26; 135/88, 102, 104

[56] References Cited

U.S. PATENT DOCUMENTS

D. 291,074	7/1987	Ravana	.....	D12/156
D. 297,424	8/1988	Norris, III	.....	D12/156
3,052,249	9/1962	Seaman et al.	.....	D21/2.53
3,857,601	12/1974	Robbins	.....	296/10
3,901,548	8/1975	Seaman, Jr.	.....	296/10

Primary Examiner—James M. Gandy  
Attorney, Agent, or Firm—Weston Hurd Fallon Paisley & Howley

[57] CLAIM

The ornamental design for a truck mounted tent, as shown and described.

DESCRIPTION

FIG. 1 is a side elevation view of a truck mounted tent showing our new design;

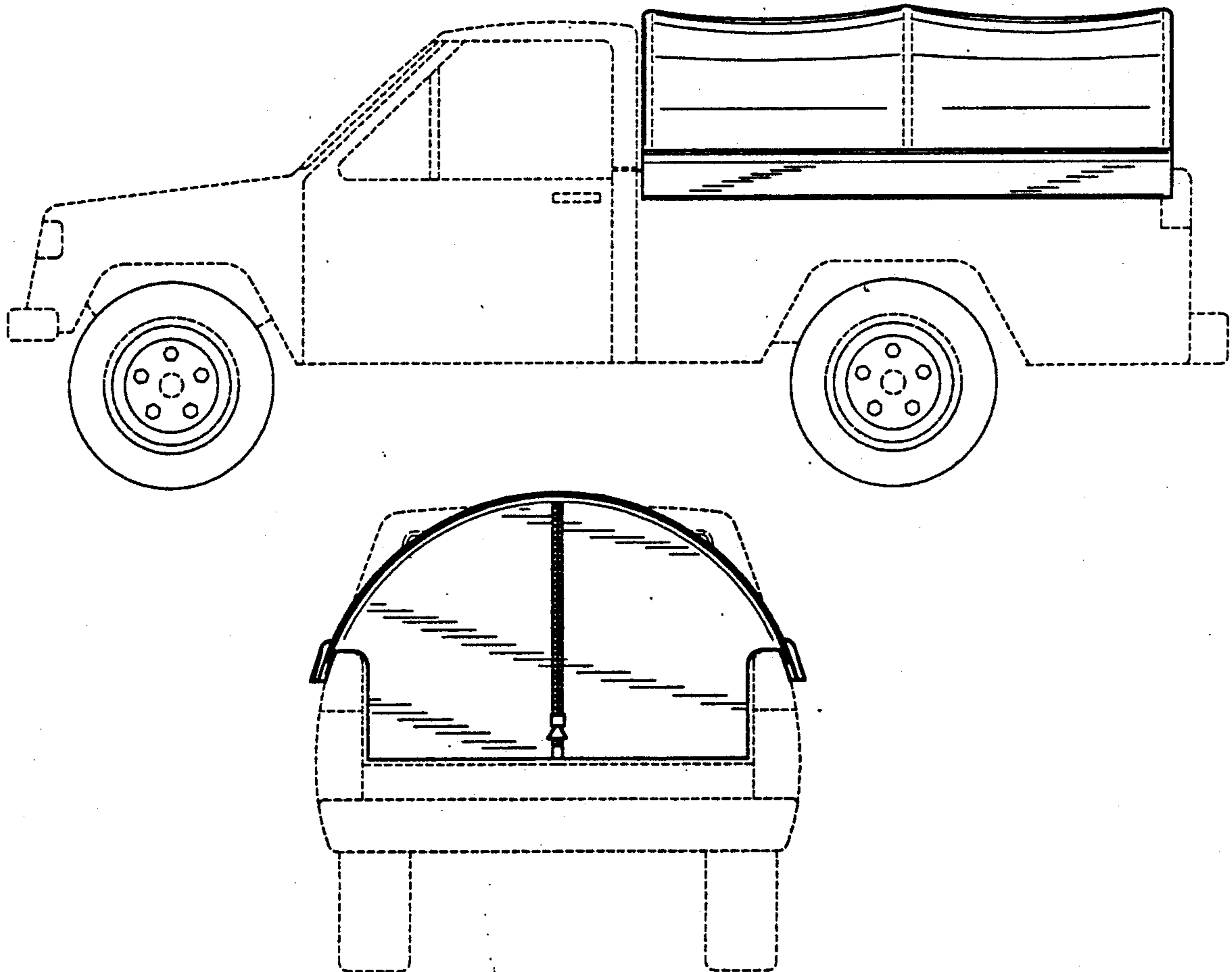
FIG. 2 is a rear elevation view thereof it being understood that the front is a mirror image of that shown;

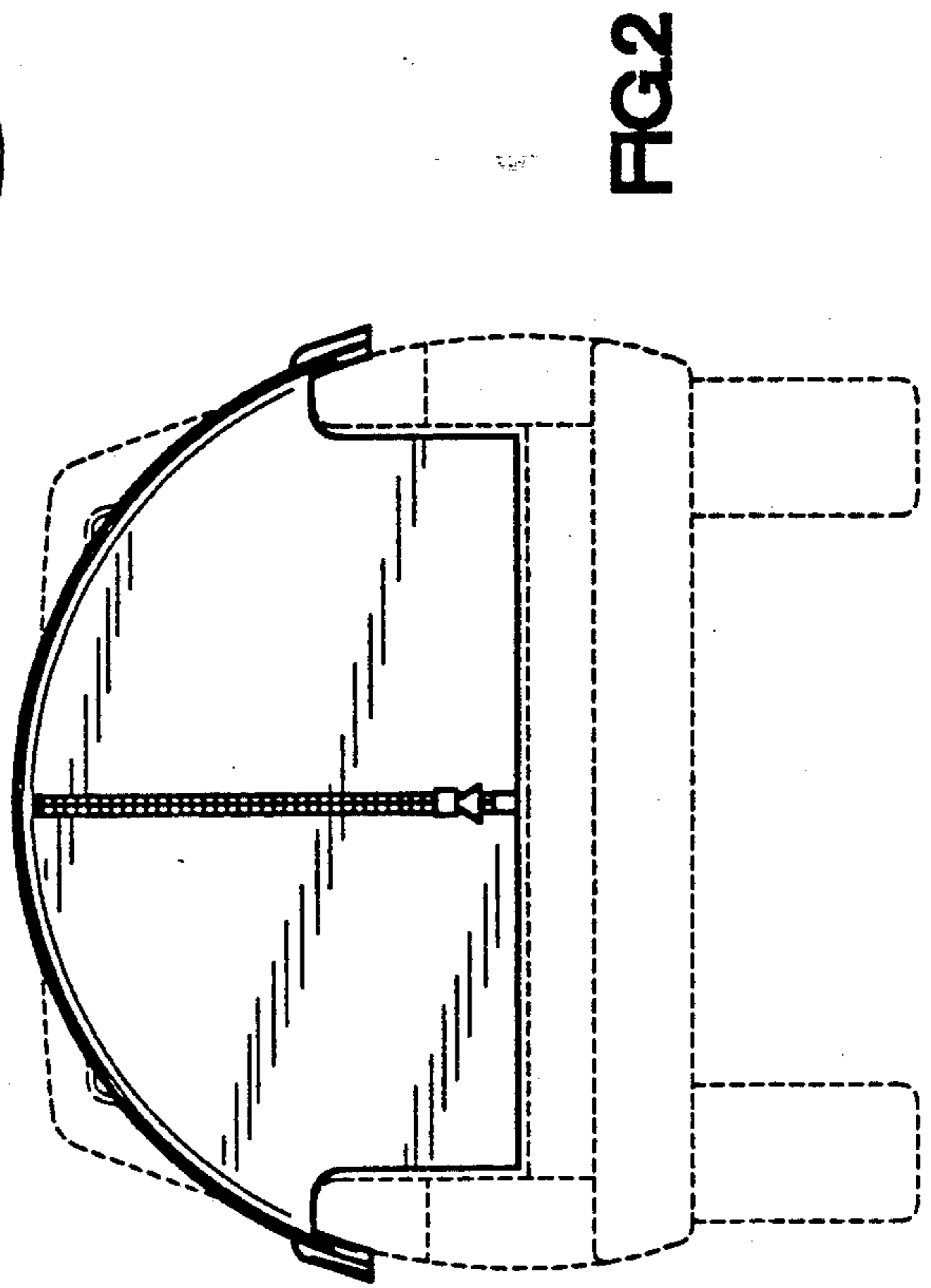
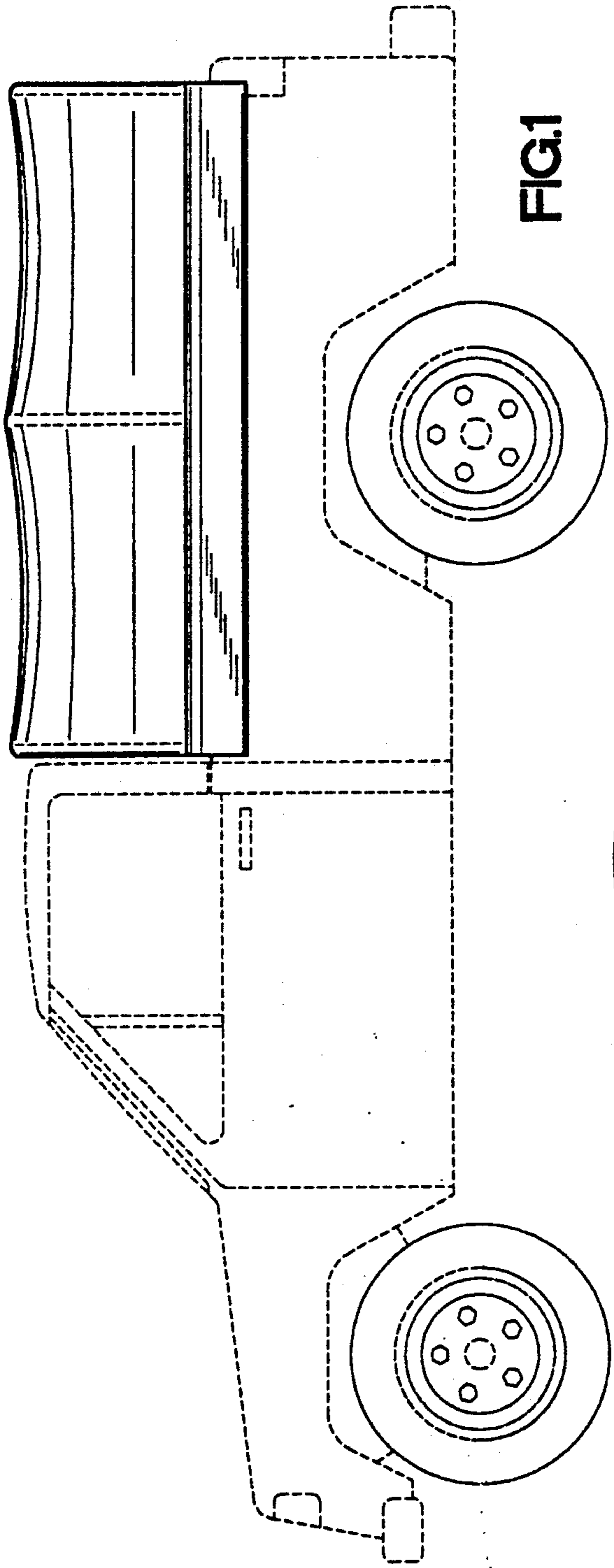
FIG. 3 is a top plan view thereof on a slightly reduced scale;

FIG. 4 is a bottom plan view of FIG. 3; and

FIG. 5 is a developed top plan view of FIG. 3 in flattened condition.

The broken line showing of a truck in FIGS. 1 and 2 is for illustrative purposes only and forms no part of the claimed design.





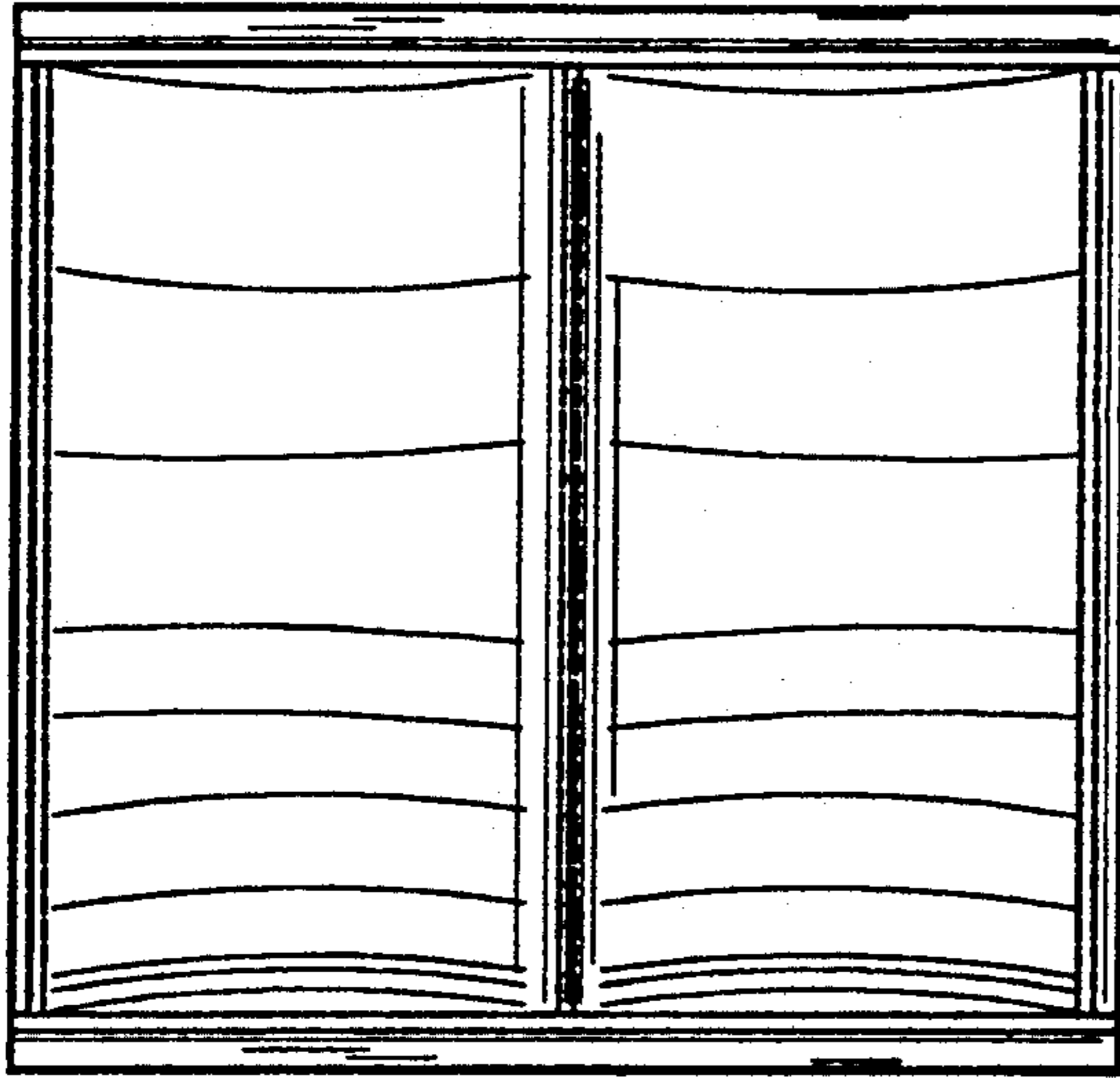


FIG.3

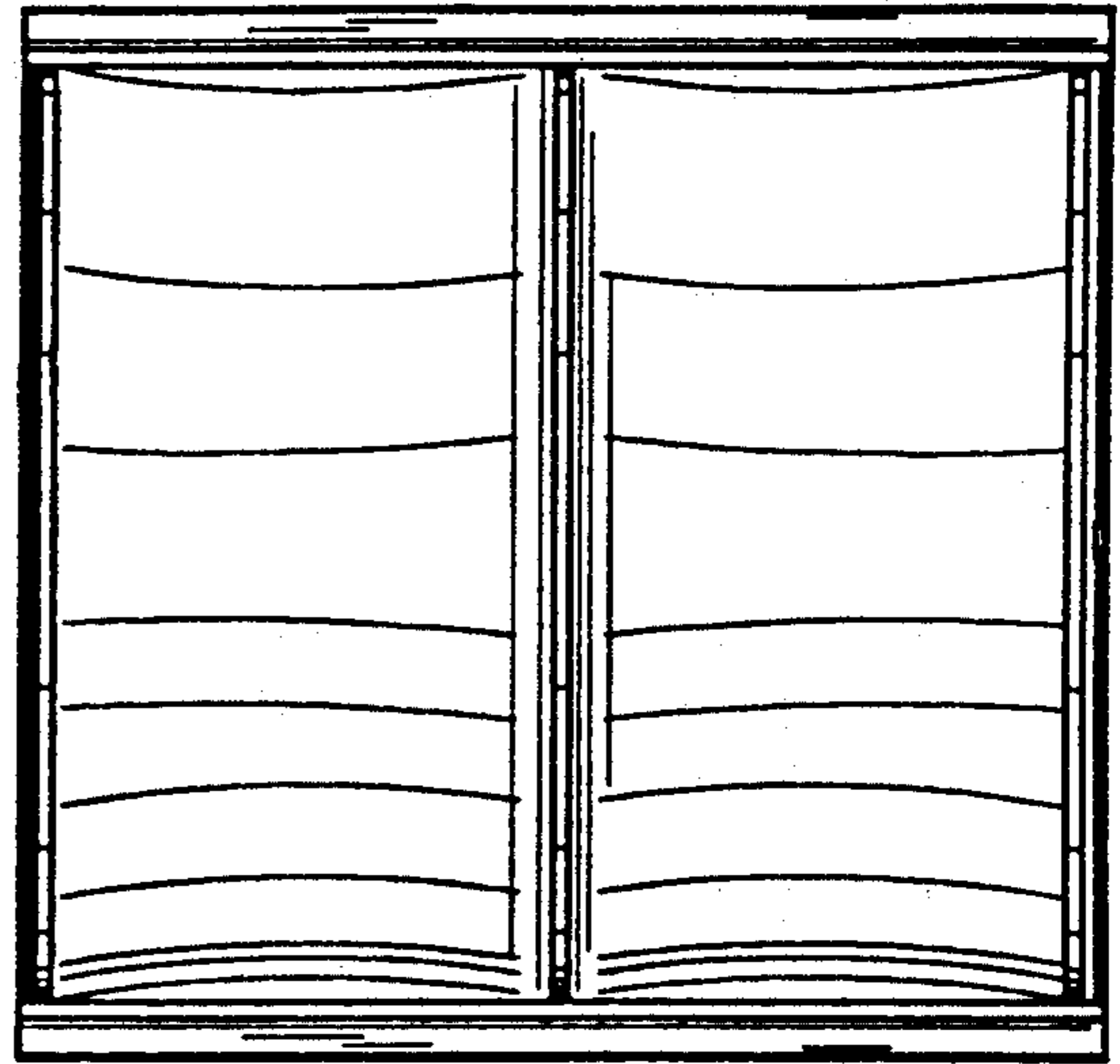


FIG.4

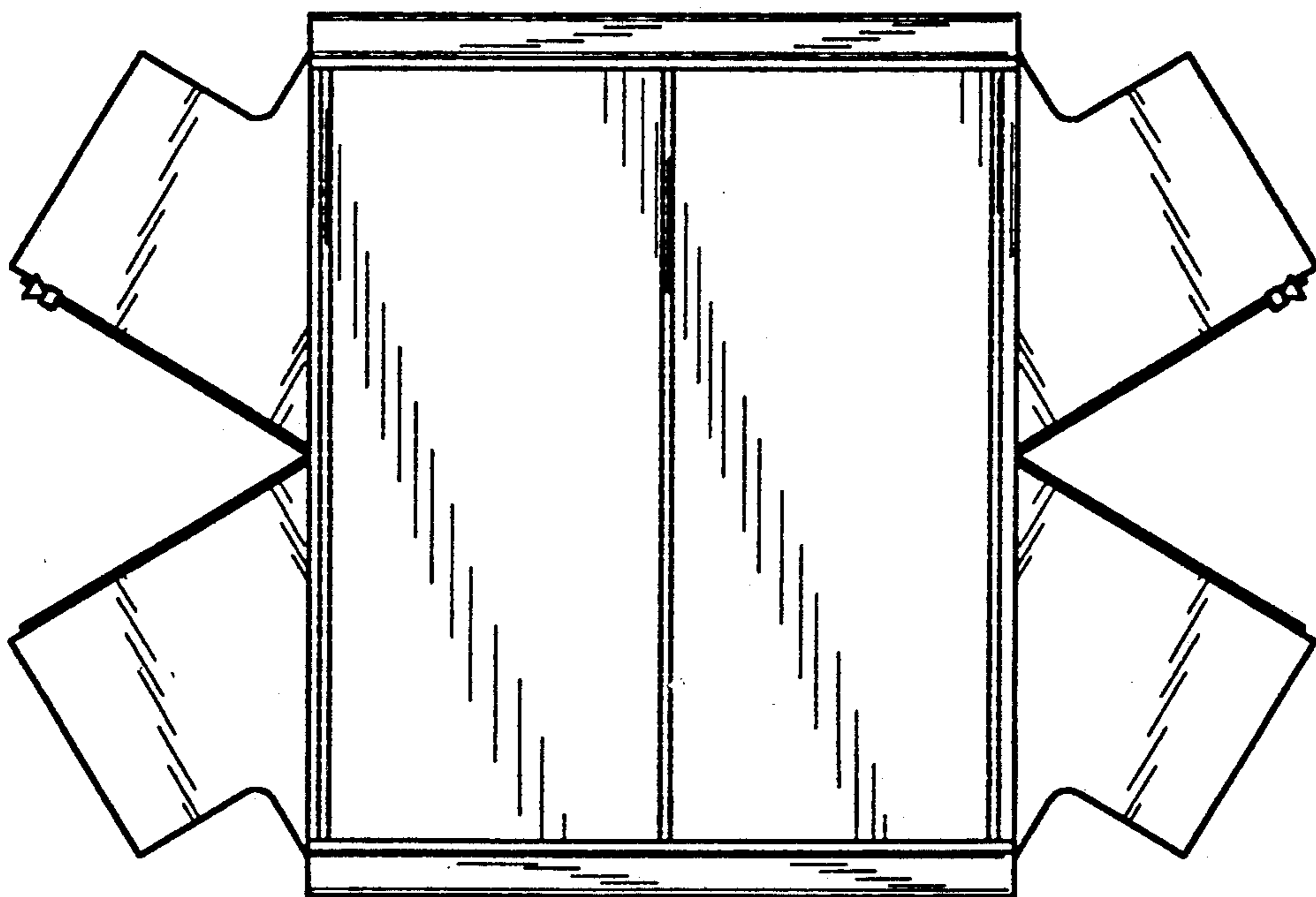


FIG.5