

[54] SIREN FOR FIRE ALARM

[75] Inventors: Yoshikazu Kojima, Urawa; Seita Moriya, Ageo, both of Japan

[73] Assignee: Kobishi Electric Co., Ltd., Tokyo, Japan

[**] Term: 14 Years

[21] Appl. No.: 376,804

[22] Filed: Jul. 7, 1989

[52] U.S. Cl. D10/120; D10/106

[58] Field of Search D10/104, 106, 121; 340/628, 629, 630, 695, 384 R, 384 E, 392, 500, 539, 545, 547, 555, 578, 584, 586

[56] References Cited

U.S. PATENT DOCUMENTS

- D. 243,321 2/1977 Mayer D10/106
- D. 244,362 5/1977 Mayer D10/106

- D. 246,700 12/1977 Gilson D10/106
- D. 256,002 7/1980 Price D10/120
- D. 265,802 8/1982 Vickery D10/106
- D. 279,771 7/1985 Hinata D10/120
- 4,525,703 6/1985 Bellino D10/106

Primary Examiner—Wallace R. Burke
Assistant Examiner—Marcus Jackson
Attorney, Agent, or Firm—Darby & Darby

[57] CLAIM

The ornamental design for a siren for a fire alarm as shown and described.

DESCRIPTION

FIG. 1 is a front elevational view of a siren for a fire alarm showing my new design;
FIG. 2 is a bottom plan view thereof, with the top plan being a mirror image;
FIG. 3 is a right side elevational view thereof, with the left side being a mirror image;
FIG. 4 is a perspective view thereof.

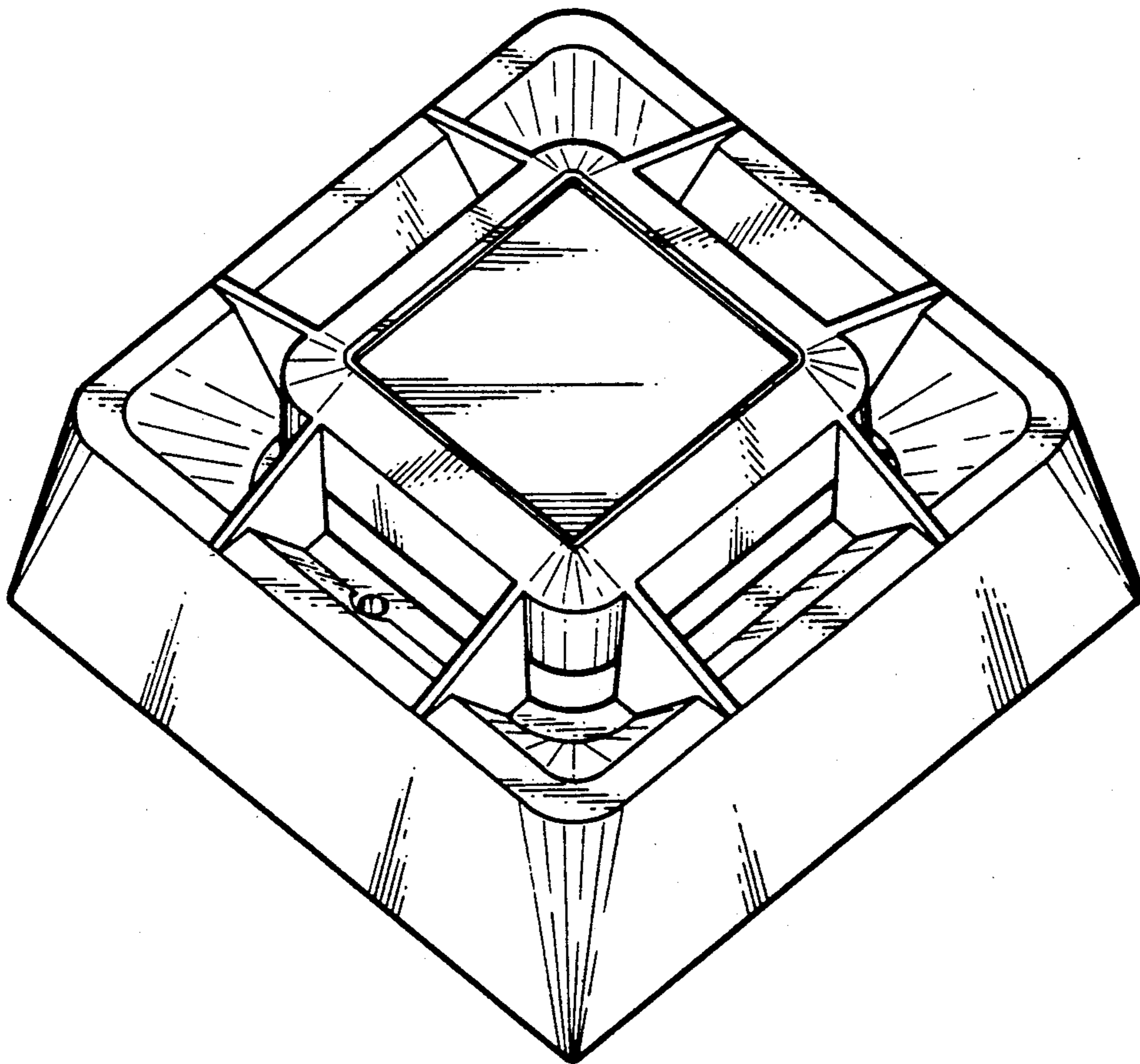


FIG. 1

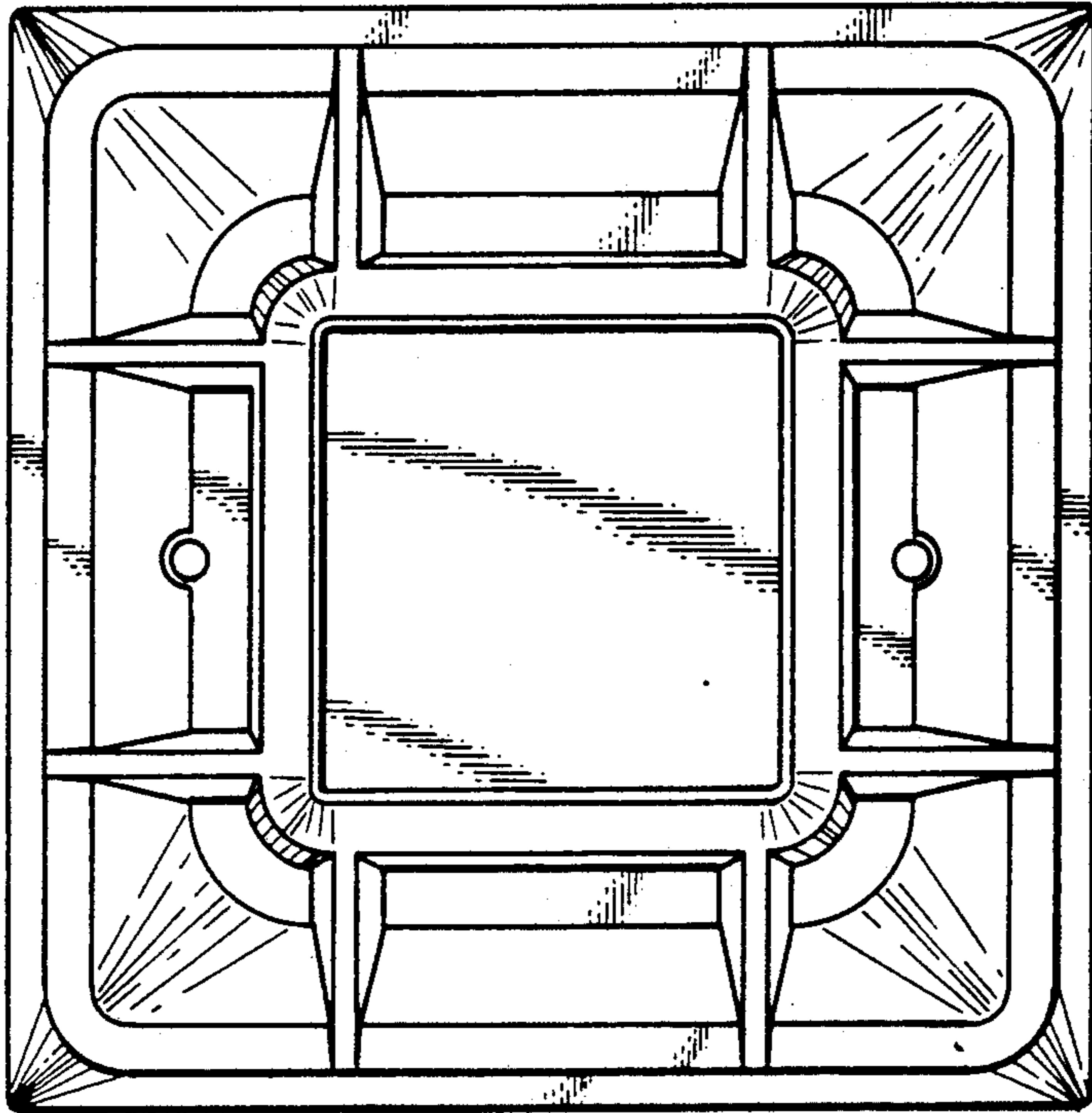


FIG. 2

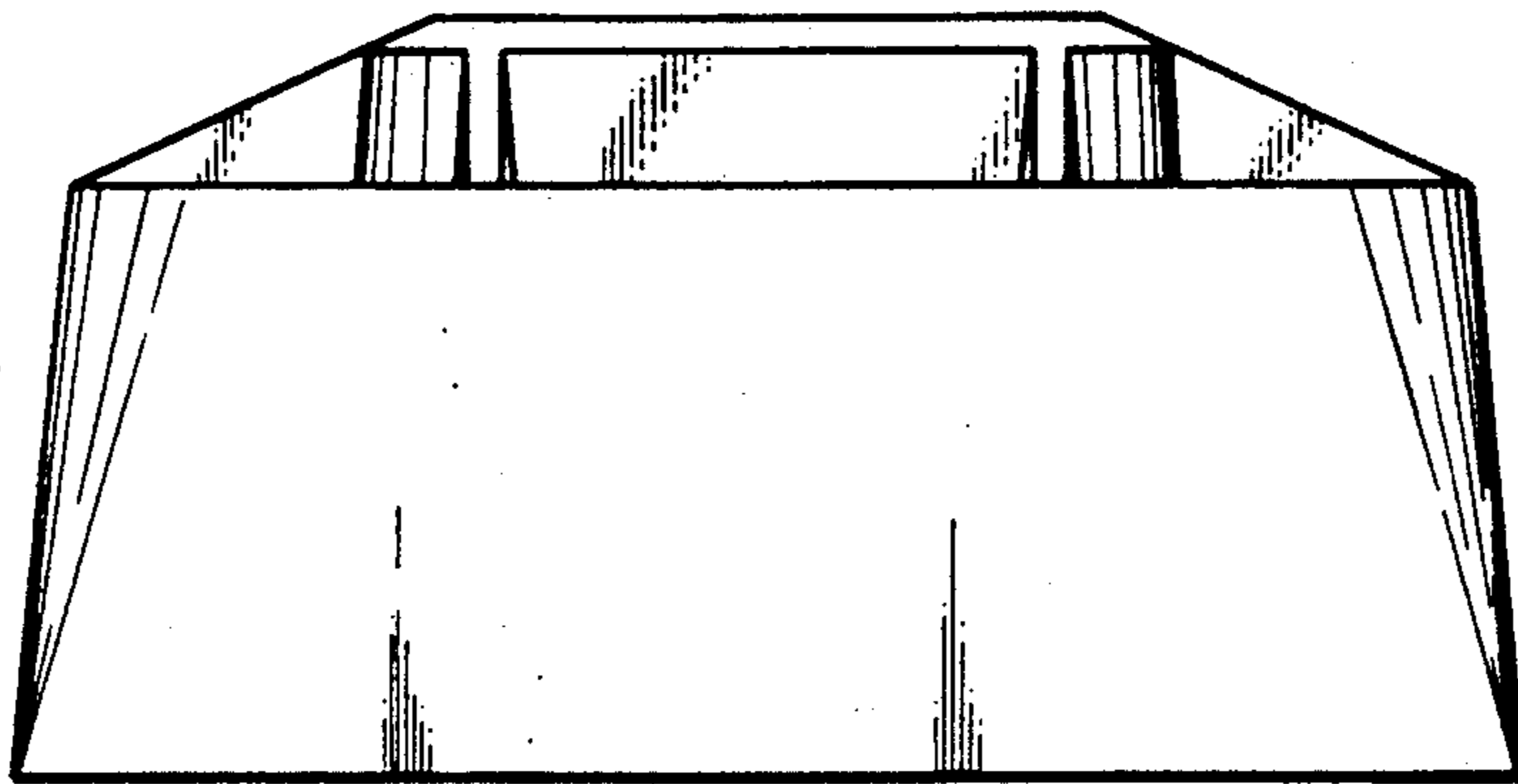


FIG. 3

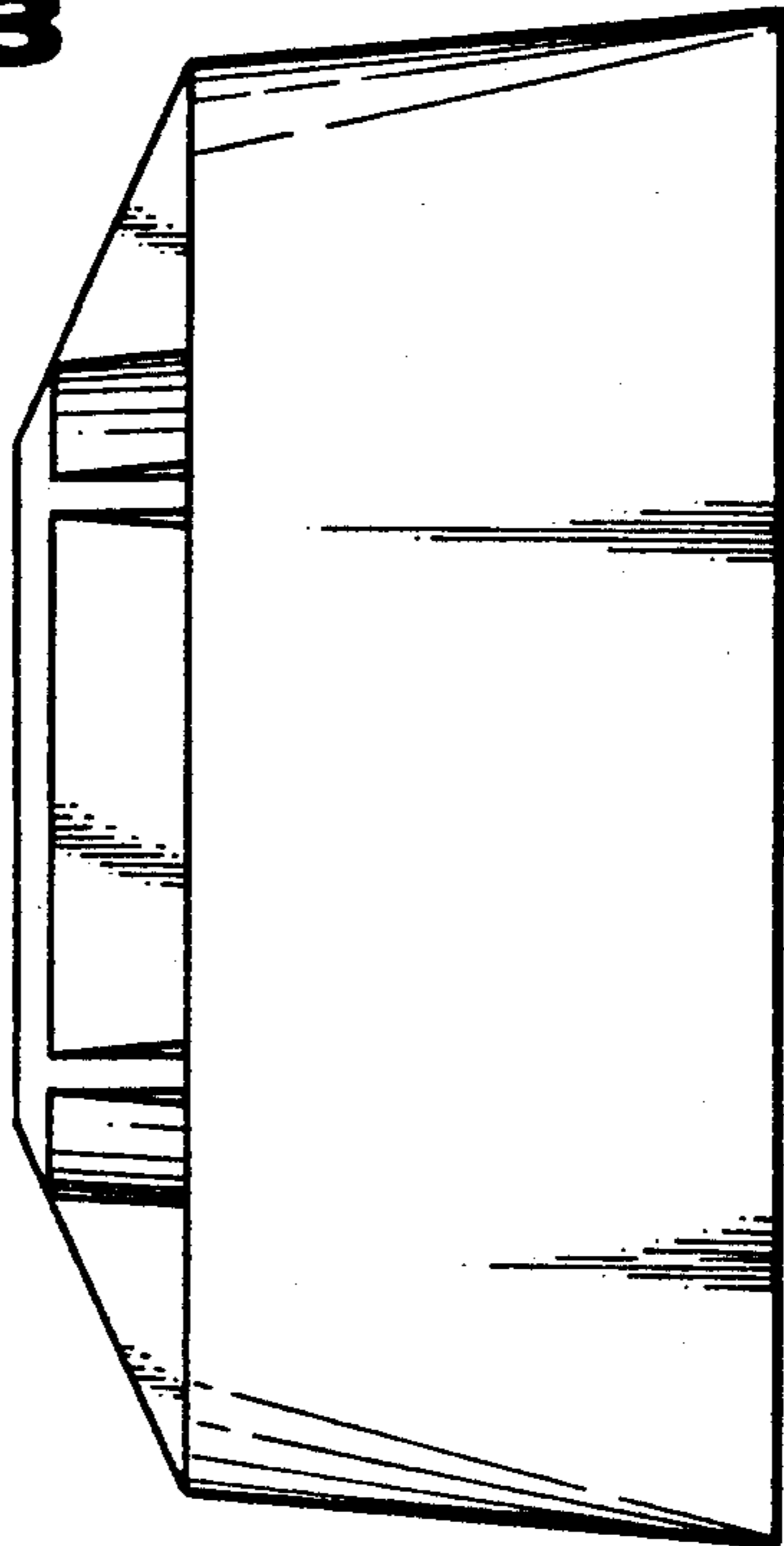


FIG. 4

