

[54] COMBINED THERMOMETER AND COMPASS HOLDER

[75] Inventor: Gregory L. Cross, Arvada, Colo.

[73] Assignee: Sun Company, Inc., Wheat Ridge, Colo.

[**] Term: 14 Years

[21] Appl. No.: 315,028

[22] Filed: Feb. 23, 1989

[52] U.S. Cl. D10/103; D3/30.1; D10/53; D10/74; D10/60

[58] Field of Search D3/30.1, 75, 85; D10/49, 52, 53, 54, 55, 56, 57, 58, 59, 60, 62, 69, 74, 103; D19/75, 85; 374/208, 209; 206/232, 234, 301, 305, 306, 308; 73/334

[56] References Cited

U.S. PATENT DOCUMENTS

- D. 111,139 9/1938 Ford D10/60
- D. 204,999 6/1966 Edwards D3/40
- D. 241,727 10/1976 Barton .

- D. 265,267 7/1982 Conti D3/30.1
- D. 290,140 6/1987 Wolff D19/75
- D. 303,934 10/1989 Iacovelli D10/53 X
- D. 312,418 11/1990 Yusa D10/60
- 801,793 10/1905 Kibele 73/334
- 4,061,226 12/1977 Essen D3/30.1 X
- 4,506,371 3/1985 Cross 374/136

Primary Examiner—Nelson C. Holtje
Assistant Examiner—Antoine D. Davis
Attorney, Agent, or Firm—William P. O'Meara

[57] CLAIM

The ornamental design for a combined thermometer and compass holder, as shown and described.

DESCRIPTION

FIG. 1 is a top, front and left side perspective view of a combined thermometer and compass holder showing my new design;

FIG. 2 is a front elevational view;

FIG. 3 is a rear elevational view;

FIG. 4 is a top plan view;

FIG. 5 is a bottom plan view; and

FIG. 6 is a right side elevational view thereof.

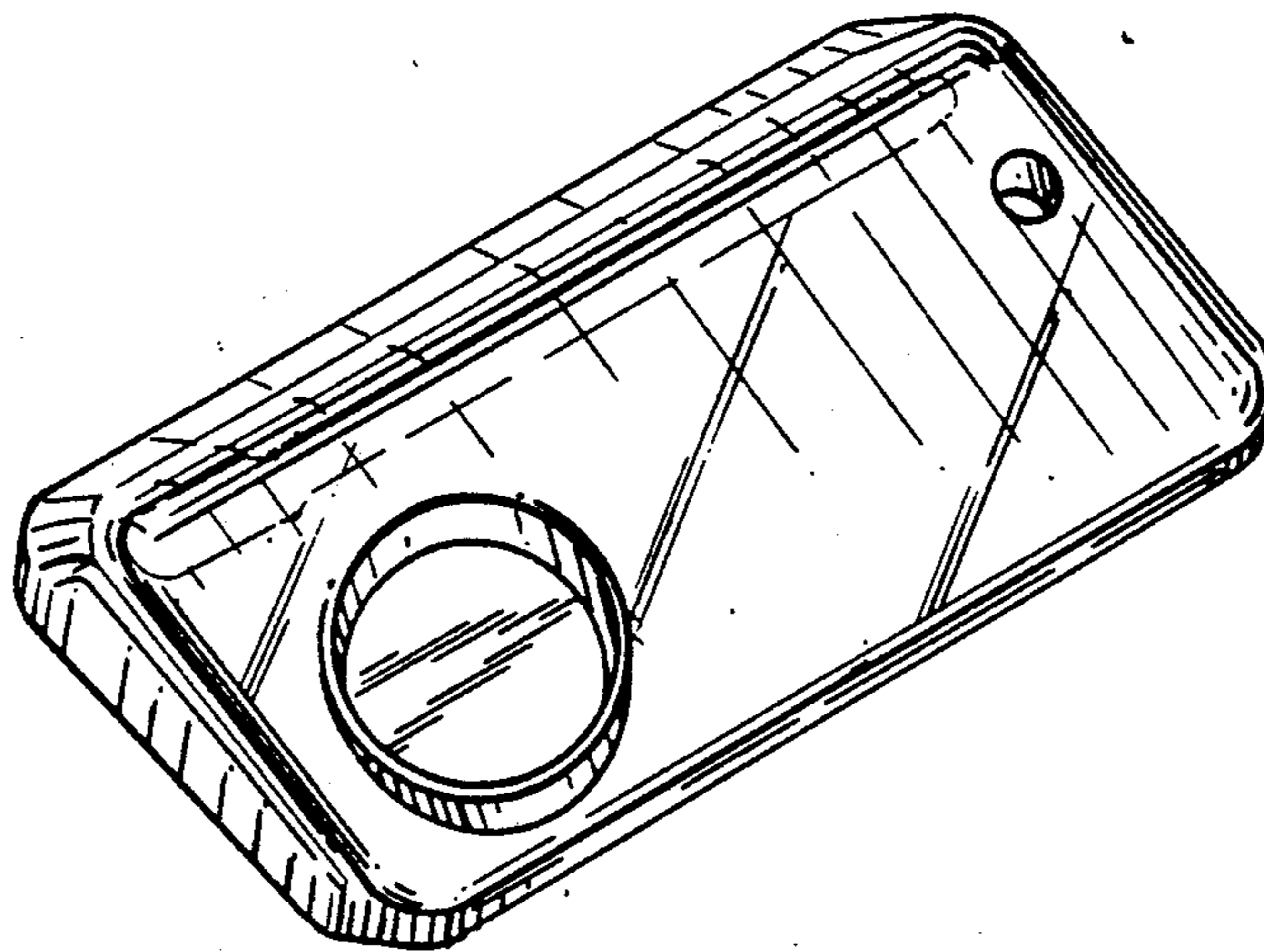


FIG. 1

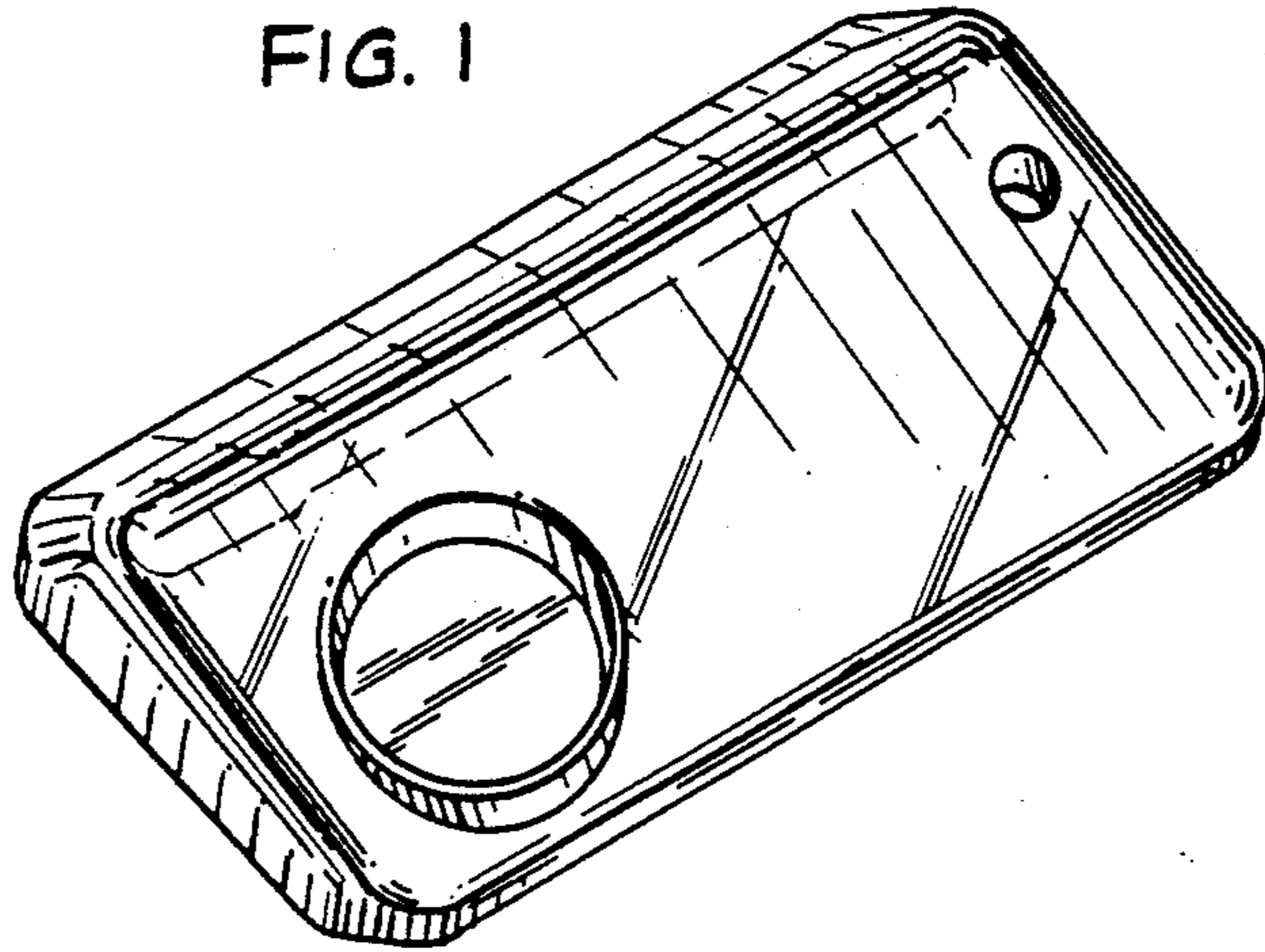


FIG. 2



FIG. 3

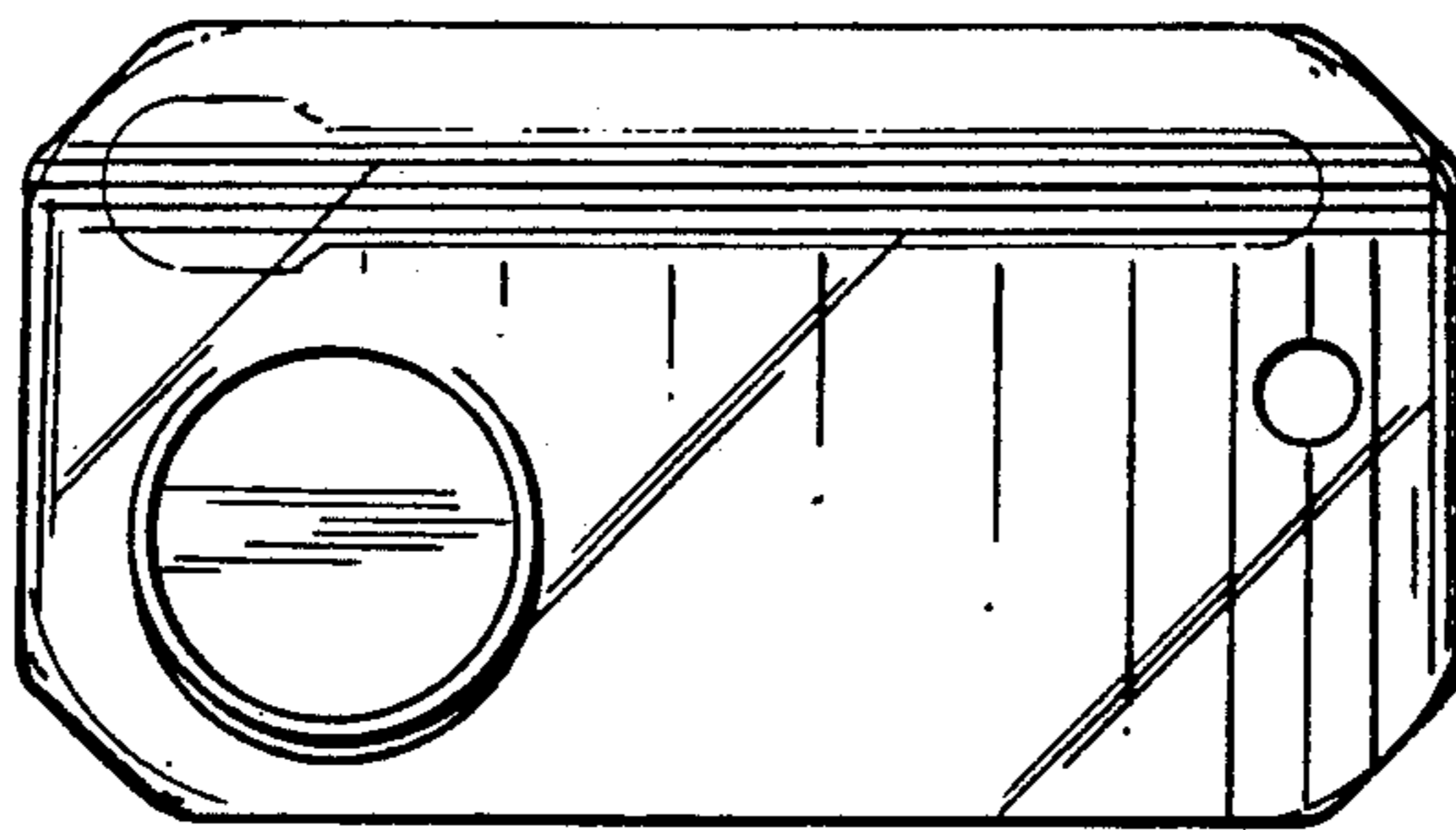
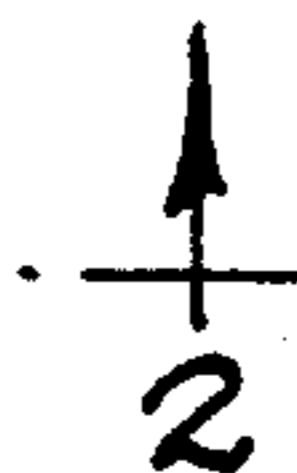
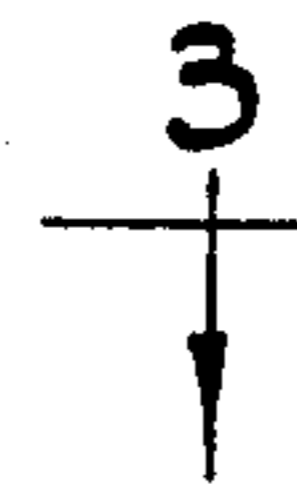
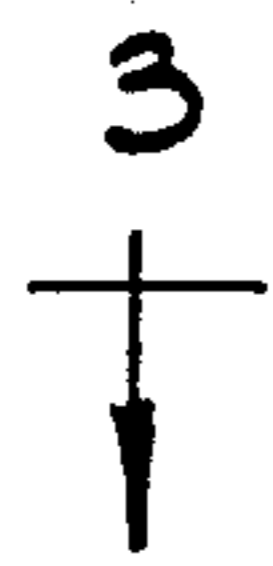


FIG. 4



FIG. 6

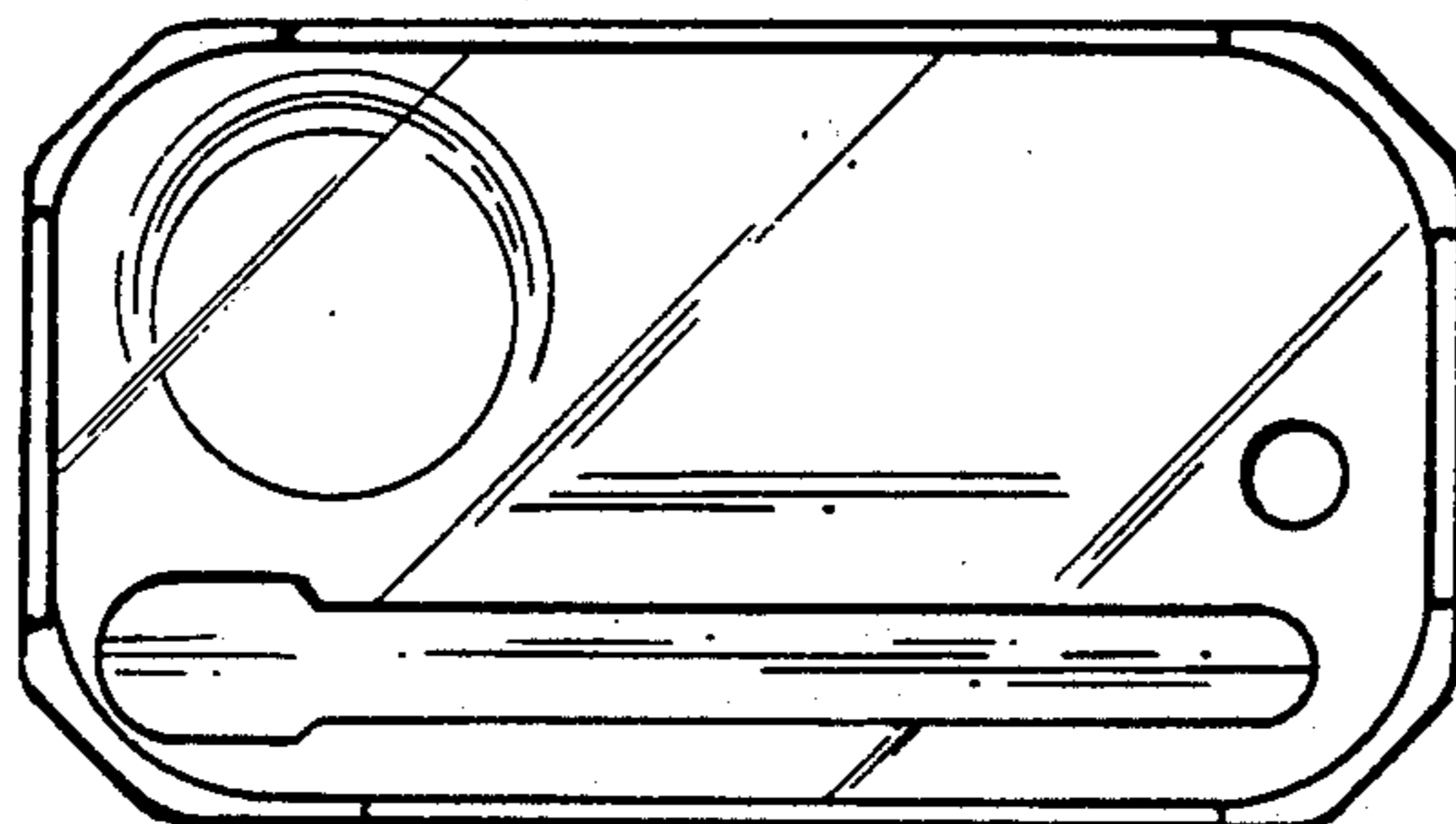


FIG. 5