

United States Patent [19]

Wurst

[11] Patent Number: **Des. 318,434**

[45] Date of Patent: **** Jul. 23, 1991**

[54] **ILLUMINATED LEVEL**

[76] Inventor: **Gregory H. Wurst, RD 1 88A
Whitehall Rd., Williamstown, N.J.
08094**

[**] Term: **14 Years**

[21] Appl. No.: **249,578**

[22] Filed: **Sep. 26, 1988**

[52] U.S. Cl. **D10/69**

[58] Field of Search **D10/61, 65, 69; 33/348,
33/348.2, 365, 366, 367, 368, 369, 370, 371, 372,
373, 374, 375, 376, 379, 380, 381**

[56] **References Cited**

U.S. PATENT DOCUMENTS

D. 222,722	12/1971	Ostrager	D10/69
D. 280,185	8/1985	Wright	D10/69
1,818,843	8/1931	Dill	33/348.2
2,720,709	10/1955	Stankawitz	33/381
3,114,507	12/1963	Dommen	33/348.2
3,192,375	6/1965	Olson	33/348.2
3,603,000	9/1971	Ostrager	33/382

4,506,450	3/1985	Fleming et al.	33/366
4,543,731	10/1985	Boundy	33/375
4,590,680	5/1986	Hanchett et al.	D10/69 X

OTHER PUBLICATIONS

Exact Consumer Cat., No. 976, 9/76, Cover.

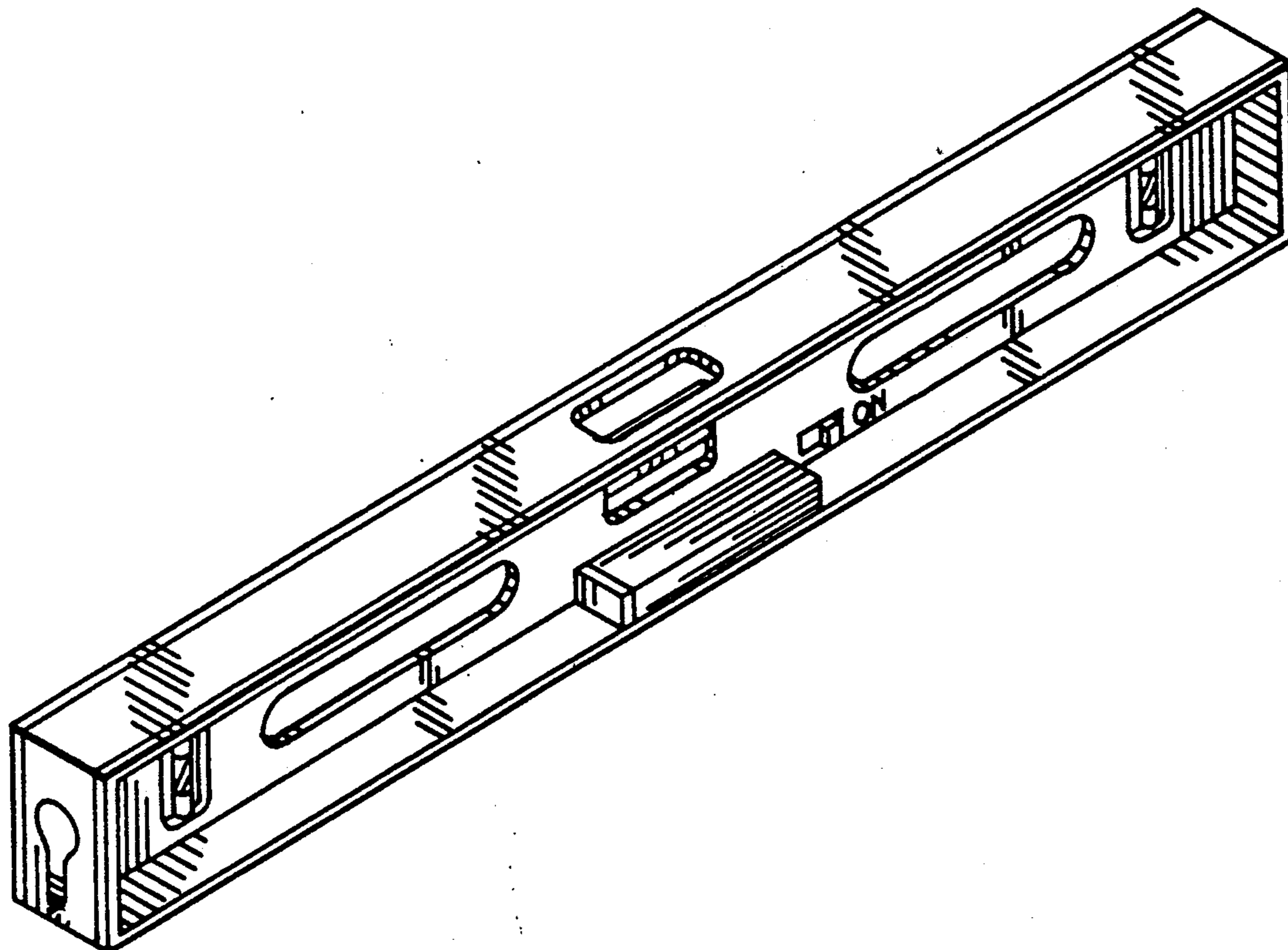
Primary Examiner—Nelson C. Holtje
Assistant Examiner—Antoine D. Davis
Attorney, Agent, or Firm—Leon Gilden

[57] **CLAIM**

The ornamental design for a illuminated level, as shown and described.

DESCRIPTION

FIG. 1 is a front elevational view of an illuminated level showing my new design;
FIG. 2 is a rear elevational view;
FIG. 3 is a left side elevational view;
FIG. 4 is a right side elevational view;
FIG. 5 is a top plan view;
FIG. 6 is a bottom plan view; and
FIG. 7 is a top, front and left side perspective view thereof.



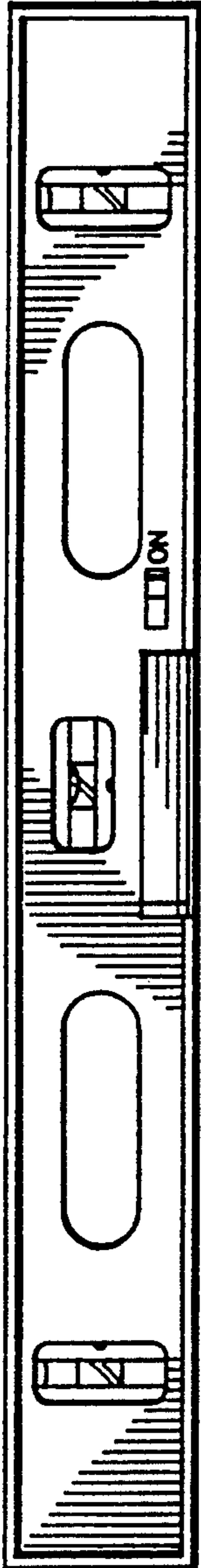


FIG. 1

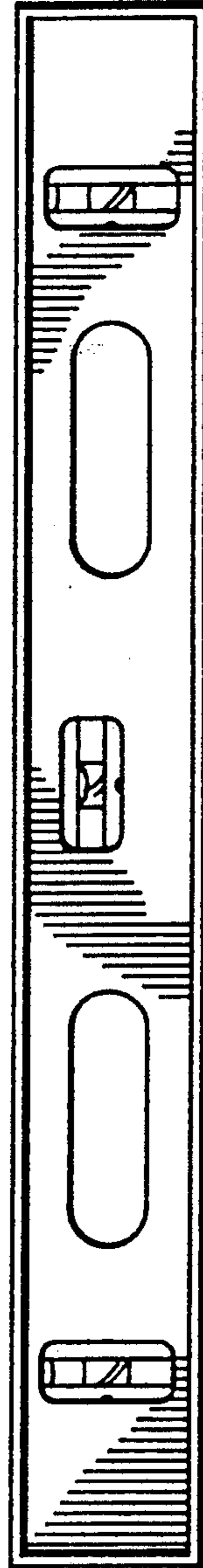


FIG. 2





Fig. 5



Fig. 6

