

[54] CORNER MEASURING INSTRUMENT

[76] Inventor: Thomas E. Eveleth, 4733 Fiddleneck
La., Redding, Calif. 96002

[**] Term: 14 Years

[21] Appl. No.: 330,879

[22] Filed: Mar. 31, 1989

[52] U.S. Cl. D10/65

[58] Field of Search D10/61, 64, 65; 33/1 N,
33/418, 422, 424, 425, 426, 452, 465, 471, 526,
534, 538

[56] References Cited

U.S. PATENT DOCUMENTS

D. 220,208	3/1971	Dhir	D10/65
D. 298,806	12/1988	Tandy	D10/62
D. 306,980	4/1990	Pivovarovff	D10/62 X
465,121	12/1891	Welch	33/526
1,409,303	3/1922	Lewis	33/471
1,624,788	4/1927	Hofmaister	33/471
1,959,832	5/1934	Lesh	33/471
1,972,759	9/1934	Burnette	33/465 X
2,529,640	11/1950	Thomas	33/471

3,416,232 12/1968 Overbay 33/424

FOREIGN PATENT DOCUMENTS

302335 10/1932 Italy 33/424

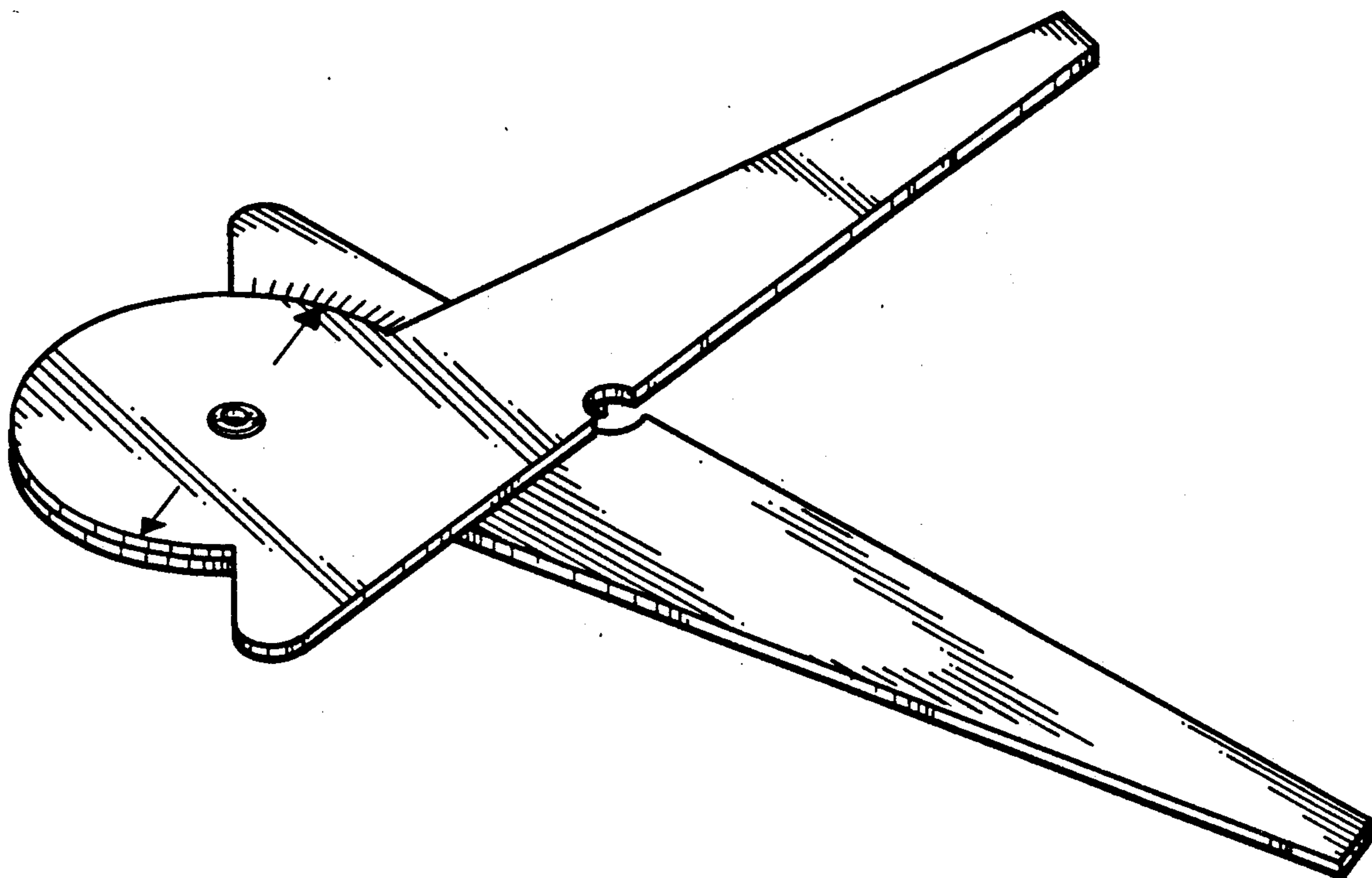
Primary Examiner—Bruce W. Dunkins
Assistant Examiner—Antoine D. Davis
Attorney, Agent, or Firm—Richard C. Litman

[57] CLAIM

The ornamental design for a corner measuring instrument, as shown and described.

DESCRIPTION

FIG. 1 is a top, front and right side perspective view of a corner measuring instrument showing my new deisgn, shown in an acute angle position;
FIG. 2 is a top and rear perspective view, shown in an obtuse angle position;
FIG. 3 is a top plan view;
FIG. 4 is another top plan view, positioned adjacent to a wall portion at a right angle;
FIG. 5 is a bottom plan view, positioned adjacent to a wall portion at an obtuse angle; and
FIG. 6 is a left side elevational view thereof.



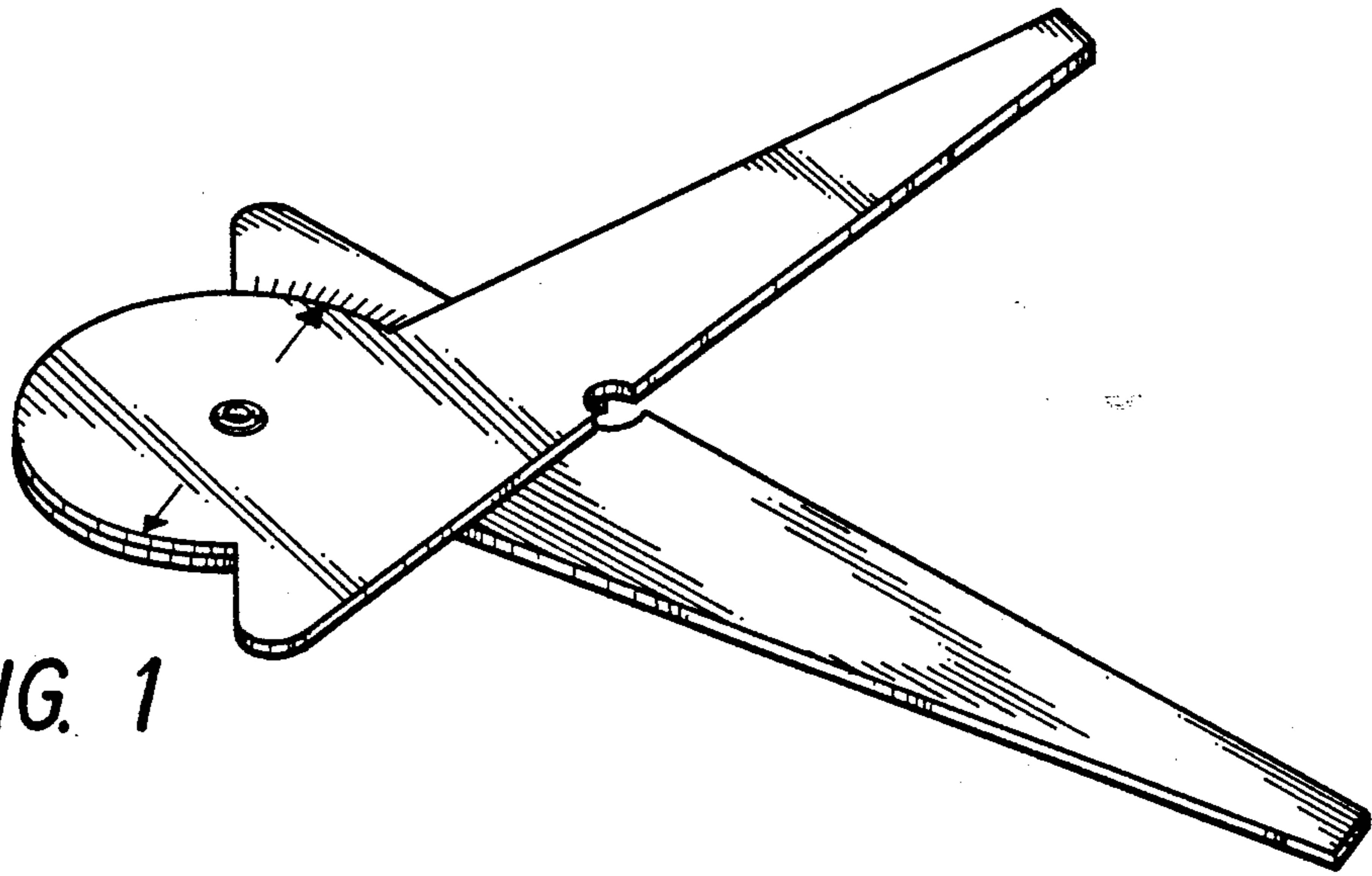


FIG. 1

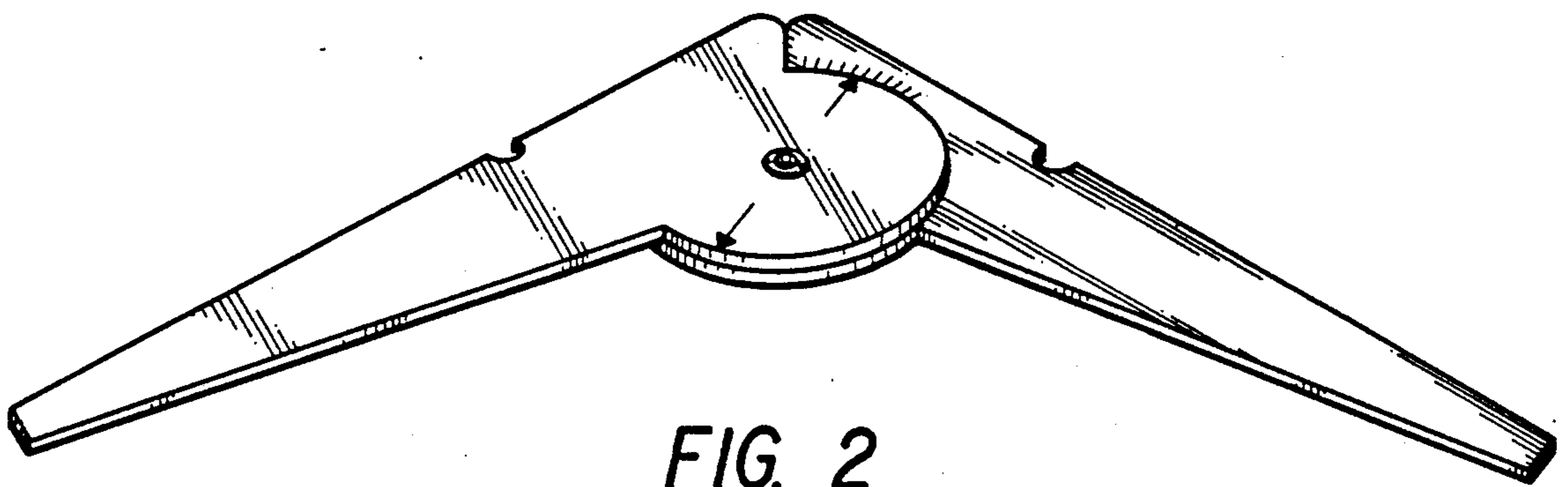


FIG. 2

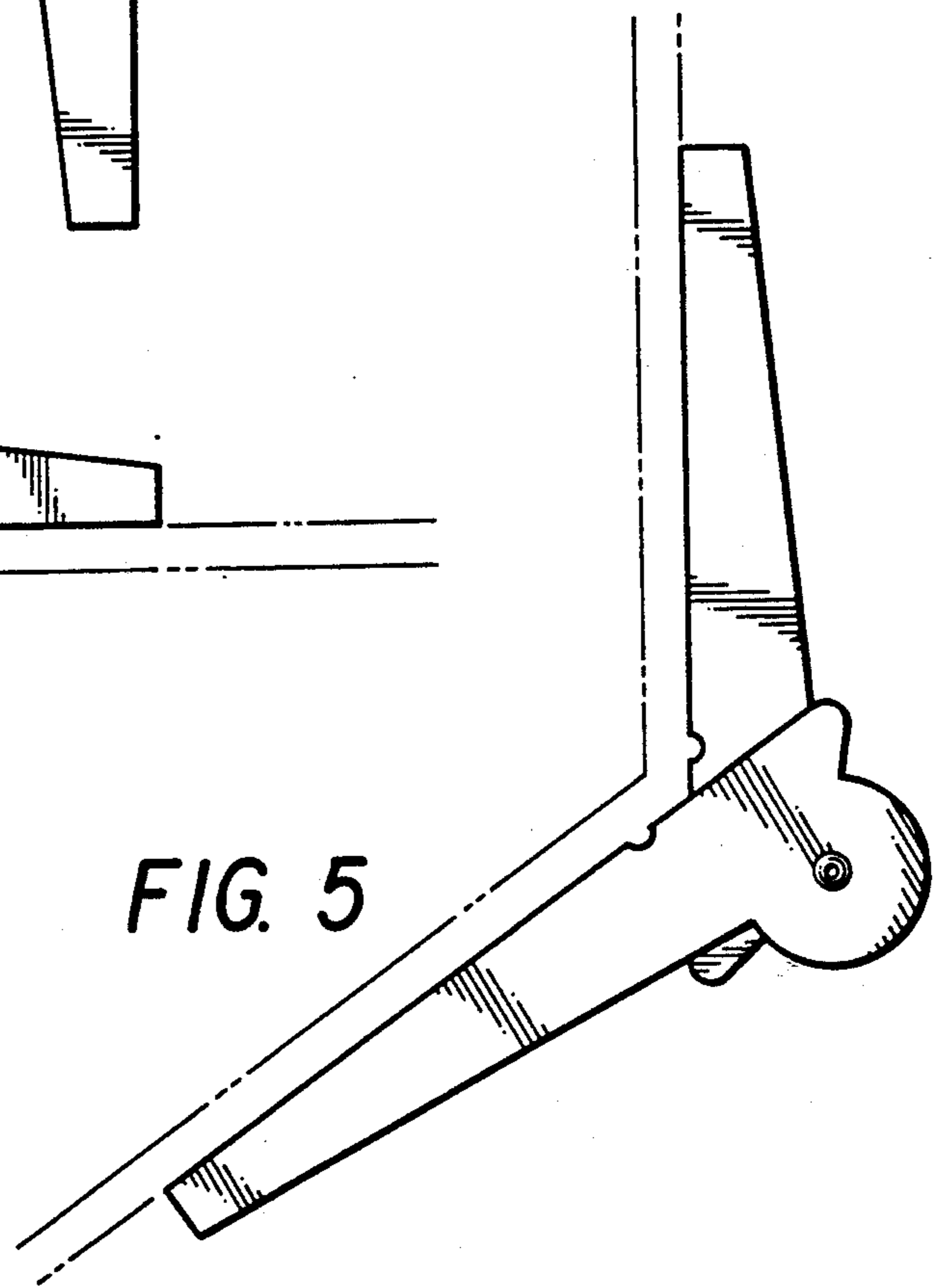
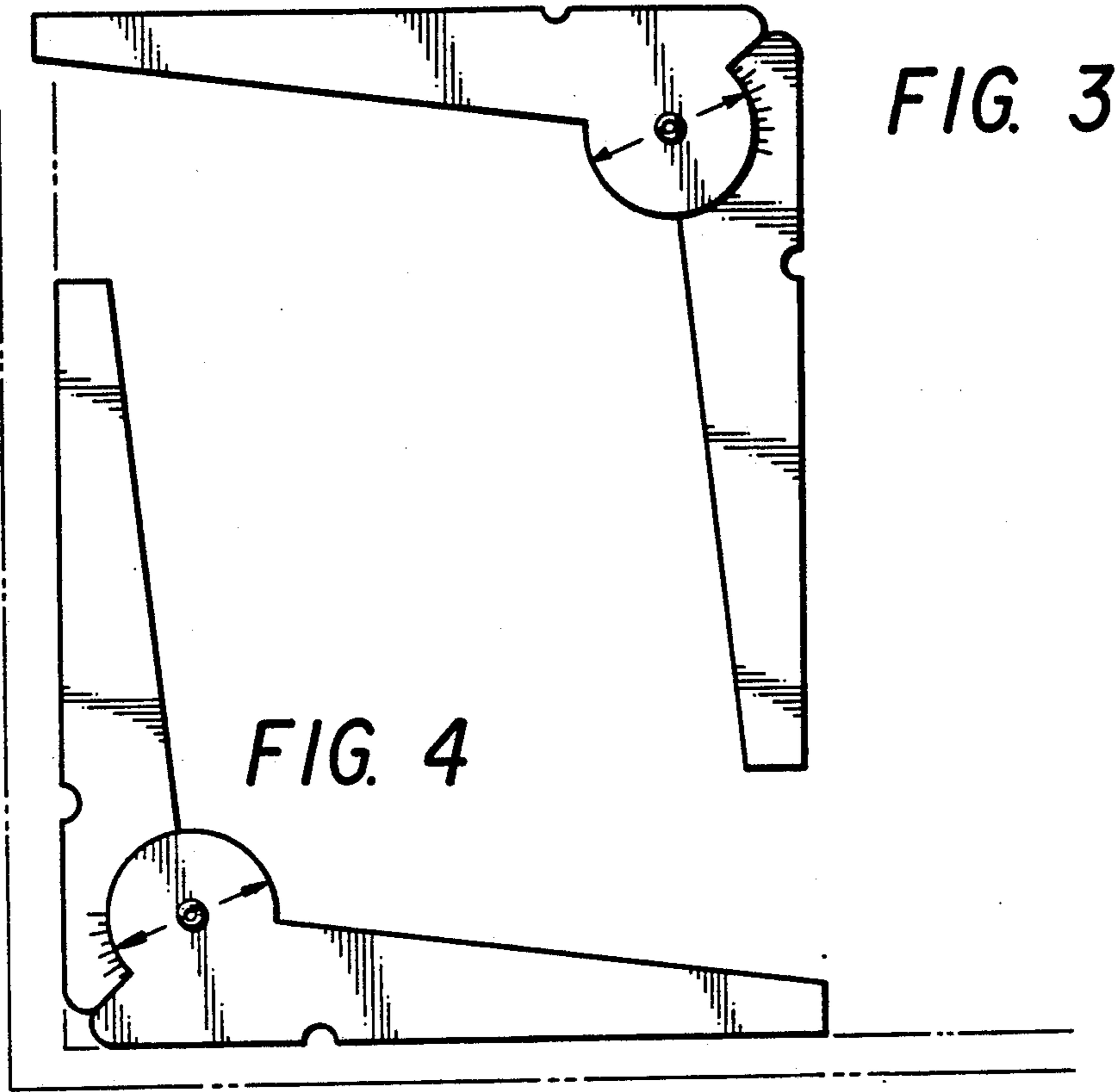


FIG. 6

