

[54] PRESSURE TRANSMITTER HOUSING

[75] Inventors: David A. Broden, Chanhassen; David W. Lee, Lakeville; Timothy A. Miller; Debra K. Zeller, both of Eagan, all of Minn.

[73] Assignee: Rosemount Inc., Eden Prairie, Minn.

[**] Term: 14 Years

[21] Appl. No.: 184,696

[22] Filed: Apr. 22, 1988

[52] U.S. Cl. D10/46

[58] Field of Search D10/46, 83, 85, 94; D14/155; D23/214, 229; 73/717, 718, 719, 720, 721, 722, 704, 756

[56] References Cited

U.S. PATENT DOCUMENTS

D. 297,314 8/1988 Hedtke D10/46
4,745,810 5/1988 Pierce et al. 73/717

Primary Examiner—Melvin B. Feifer
Assistant Examiner—Philip Hyder
Attorney, Agent, or Firm—Kinney & Lange

[57] CLAIM

The ornamental design for a pressure transmitter housing, as shown and described.

DESCRIPTION

FIG. 1 is a front elevational view of a pressure transmitter housing embodying my new design; FIG. 2 is a right side elevational view thereof; FIG. 3 is a top plan view thereof; FIG. 4 is a rear elevational view thereof; FIG. 5 is a left side elevational view thereof; FIG. 6 is a bottom plan view thereof; FIG. 7 is a right side elevational view of a modified form of the transmitter with coplanar flange embodying our new design the left side being a mirror image; and FIG. 8 is a rear elevational view of FIG. 7. The broken line showings in the drawings are for illustrative purposes only and form no part of the claimed design.

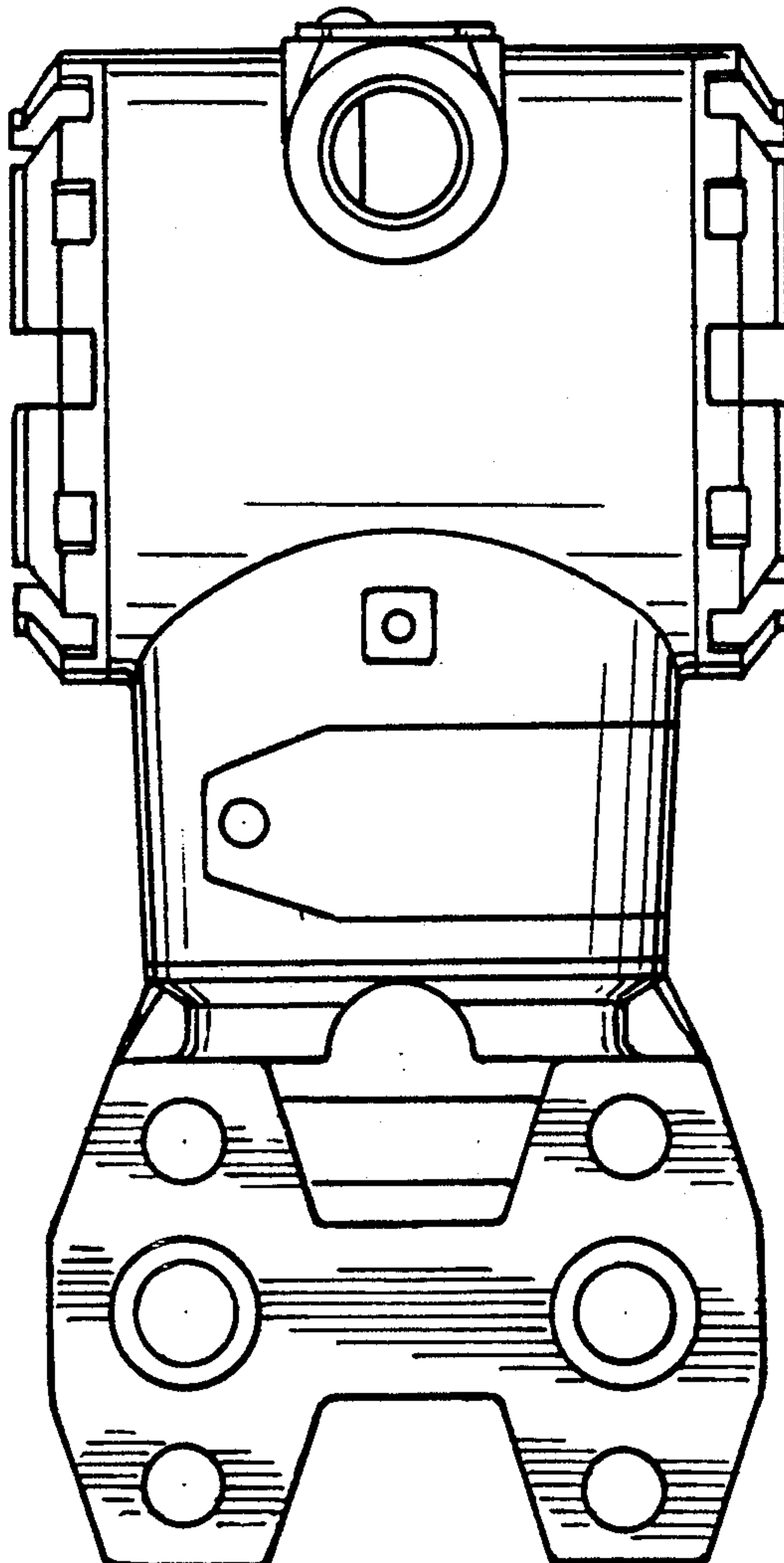


FIG. 3

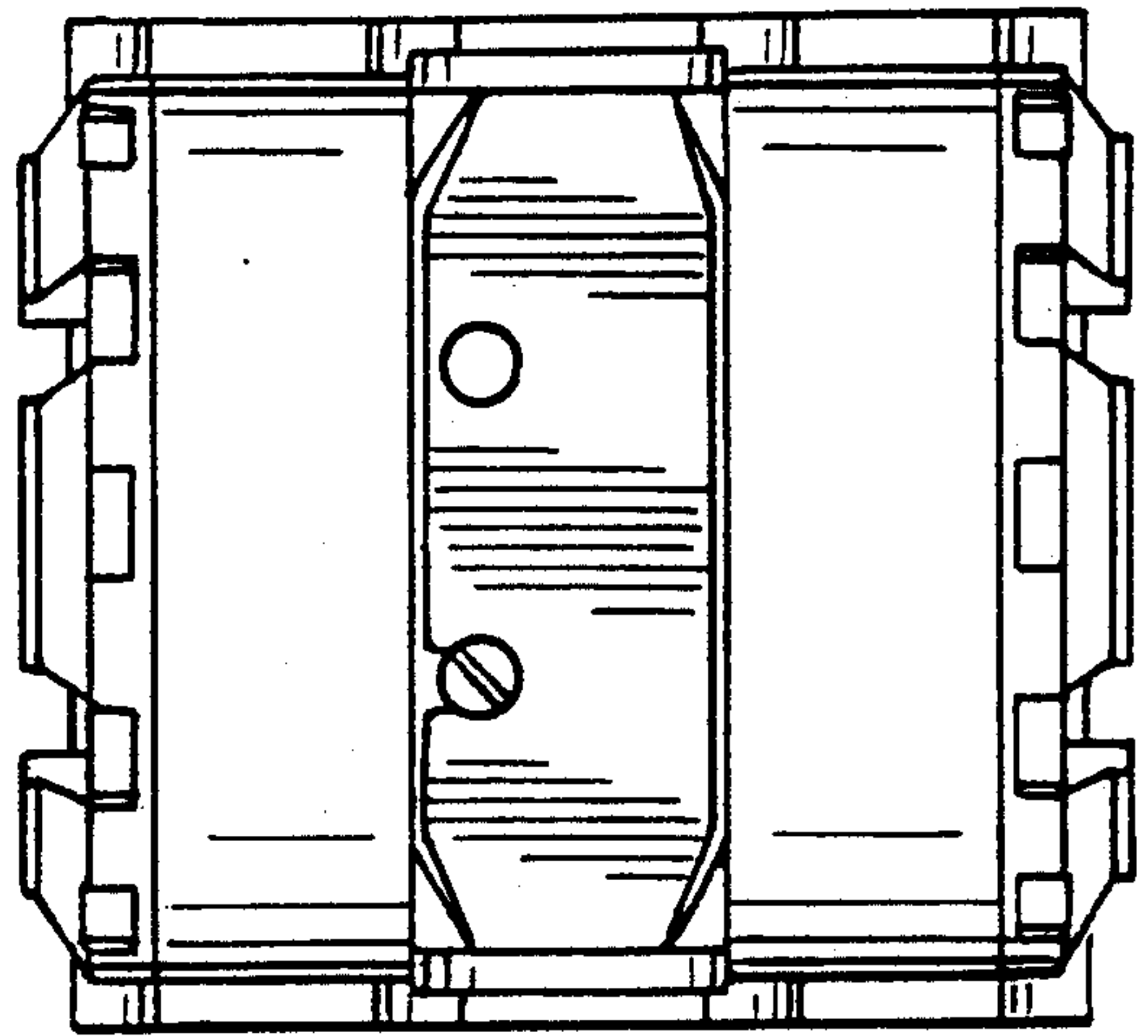


FIG. 1

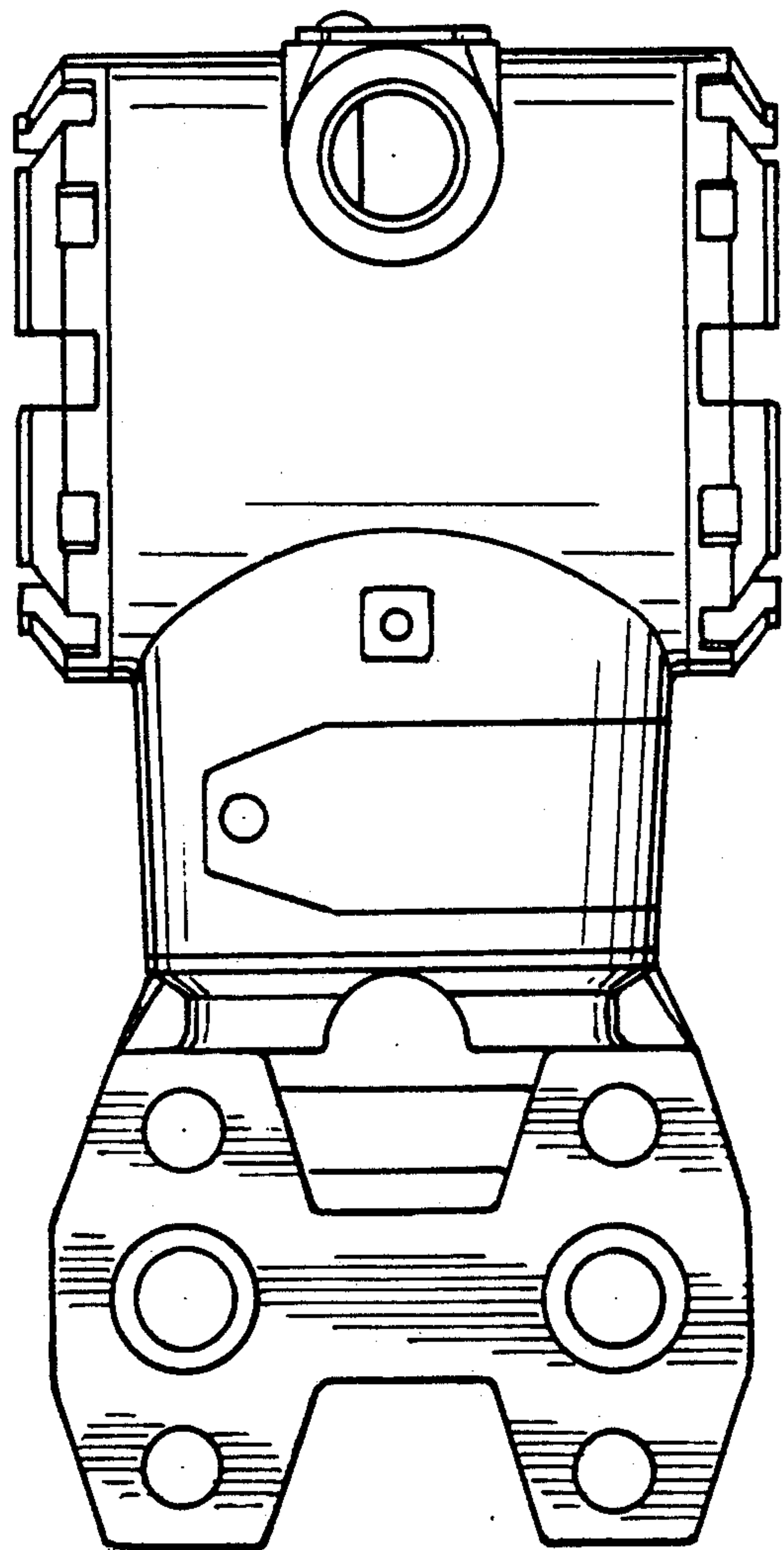
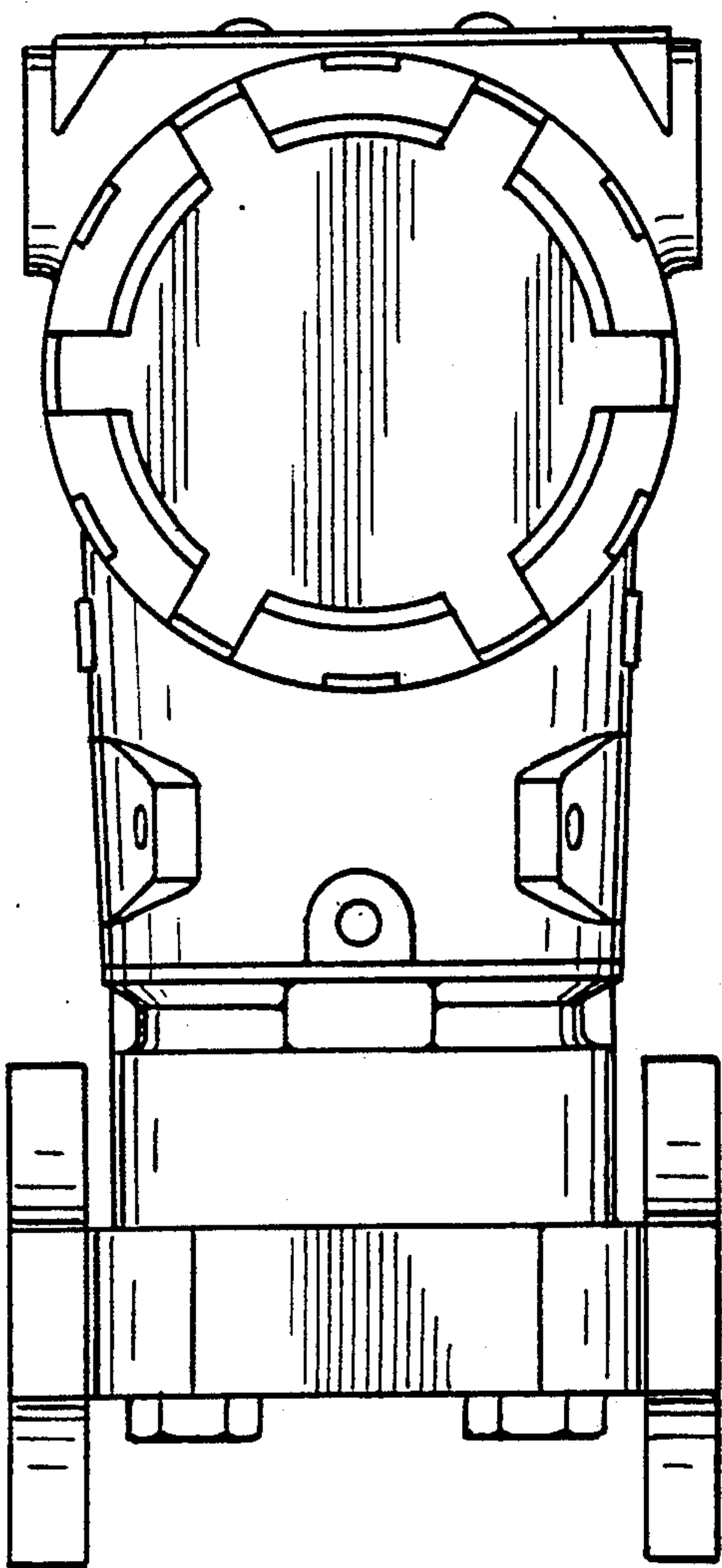


FIG. 2

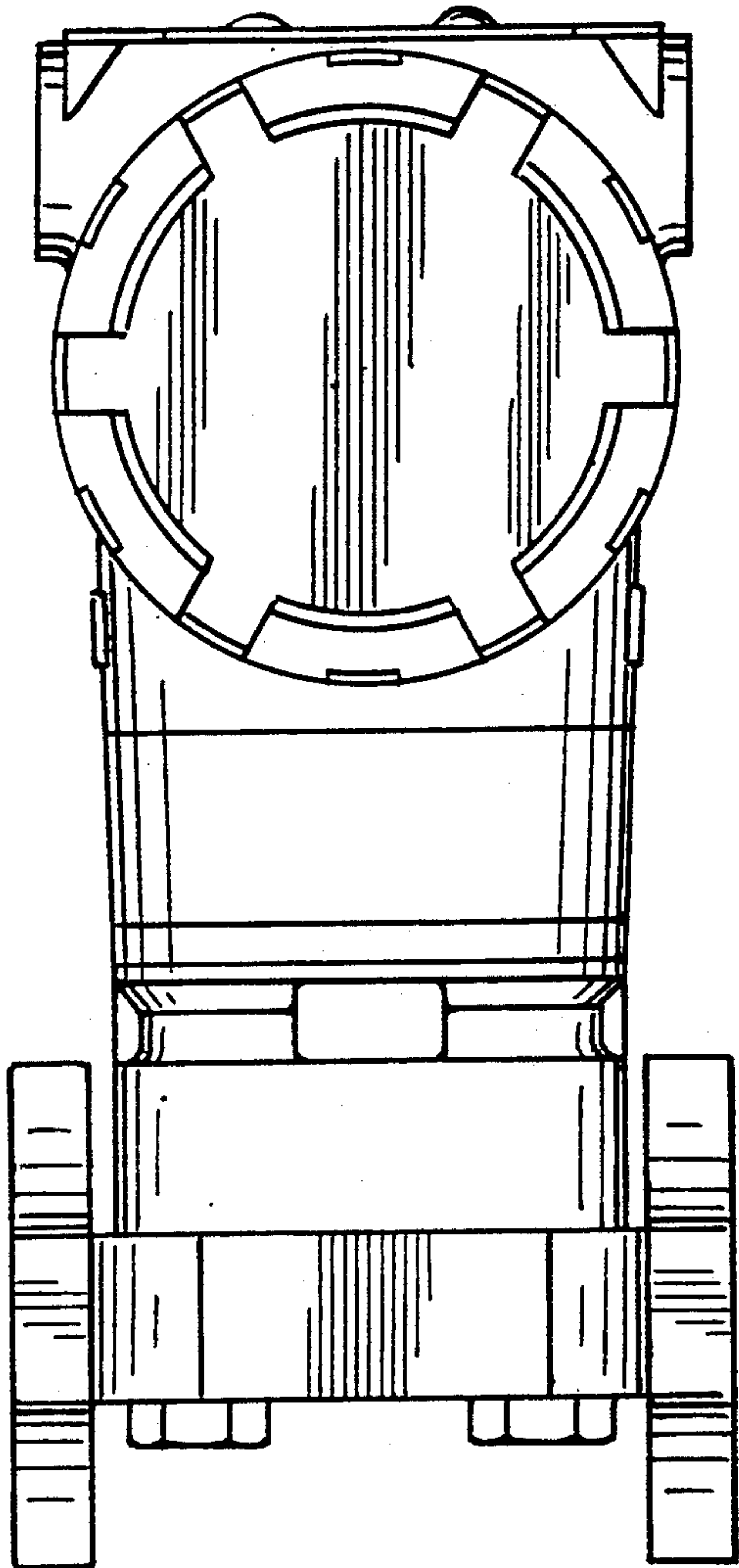


FIG. 4

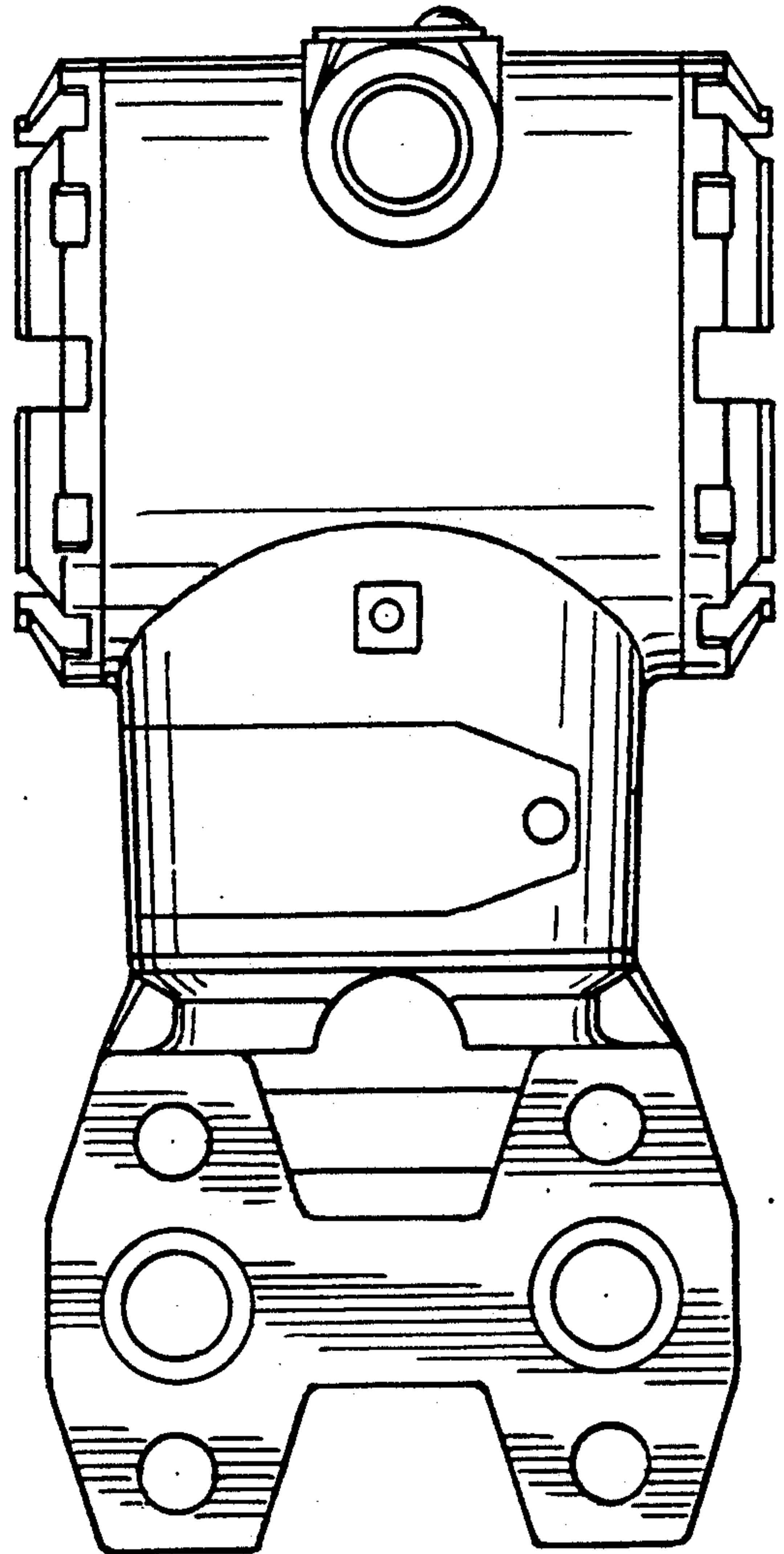
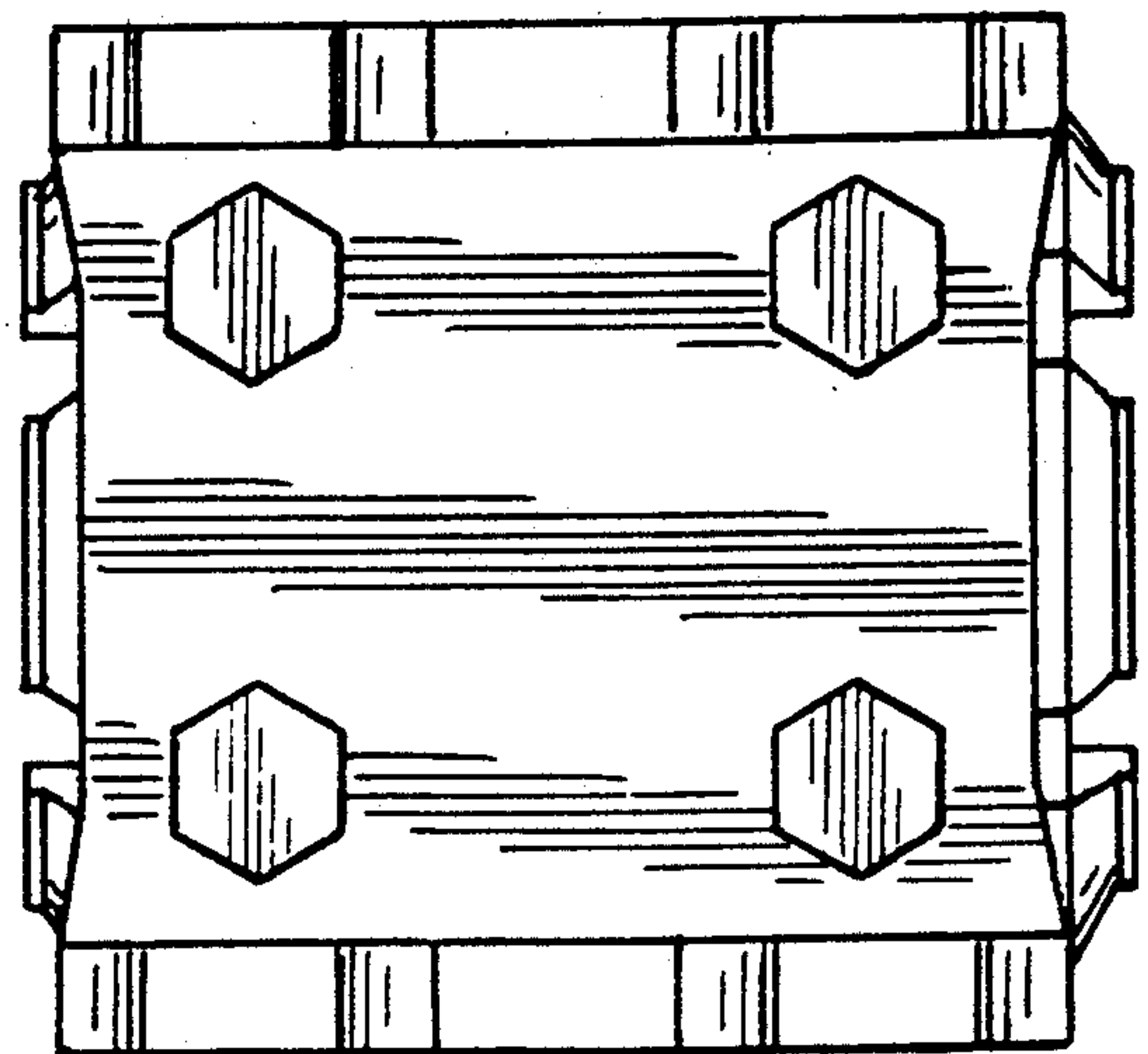


FIG. 5

FIG. 6



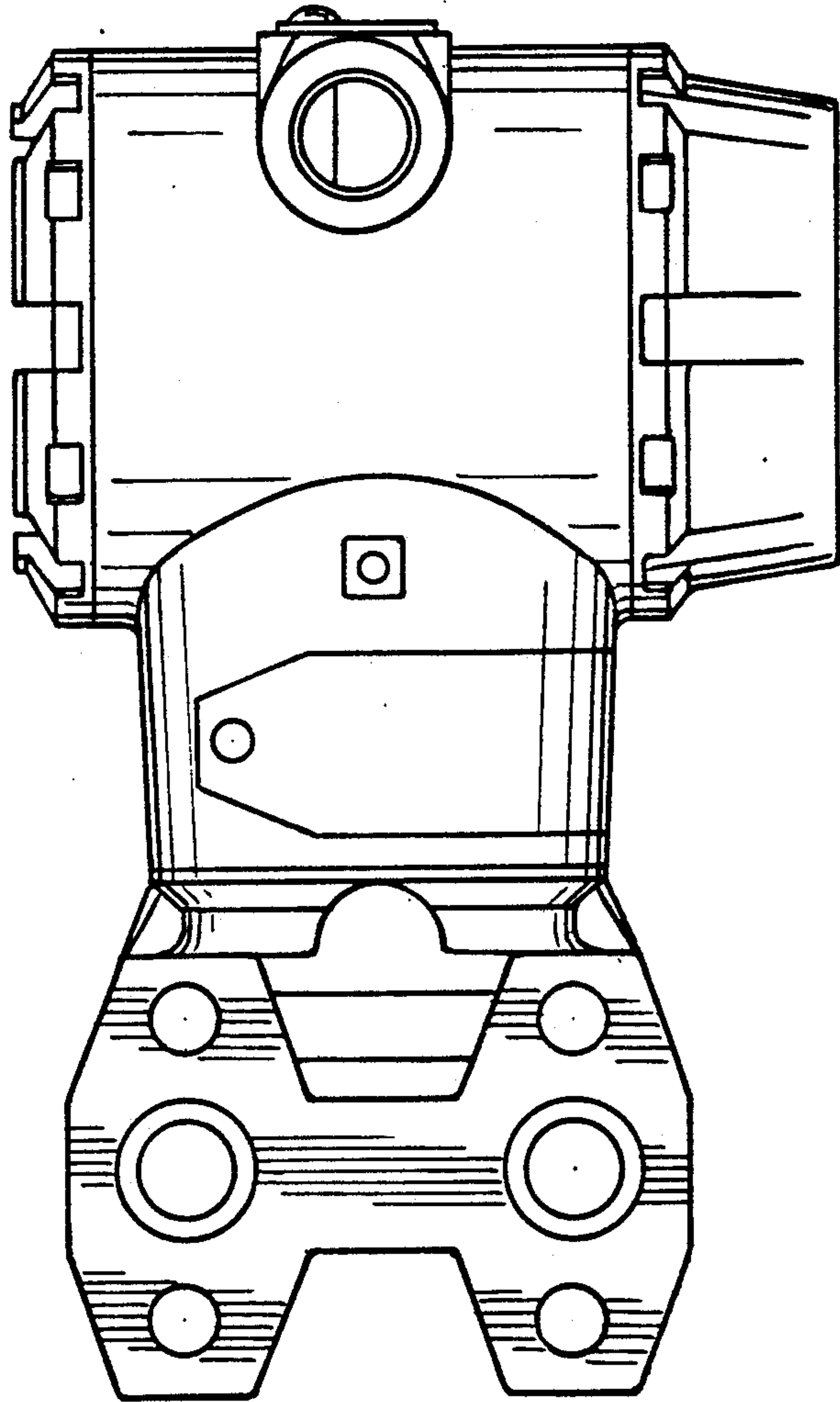


FIG. 7

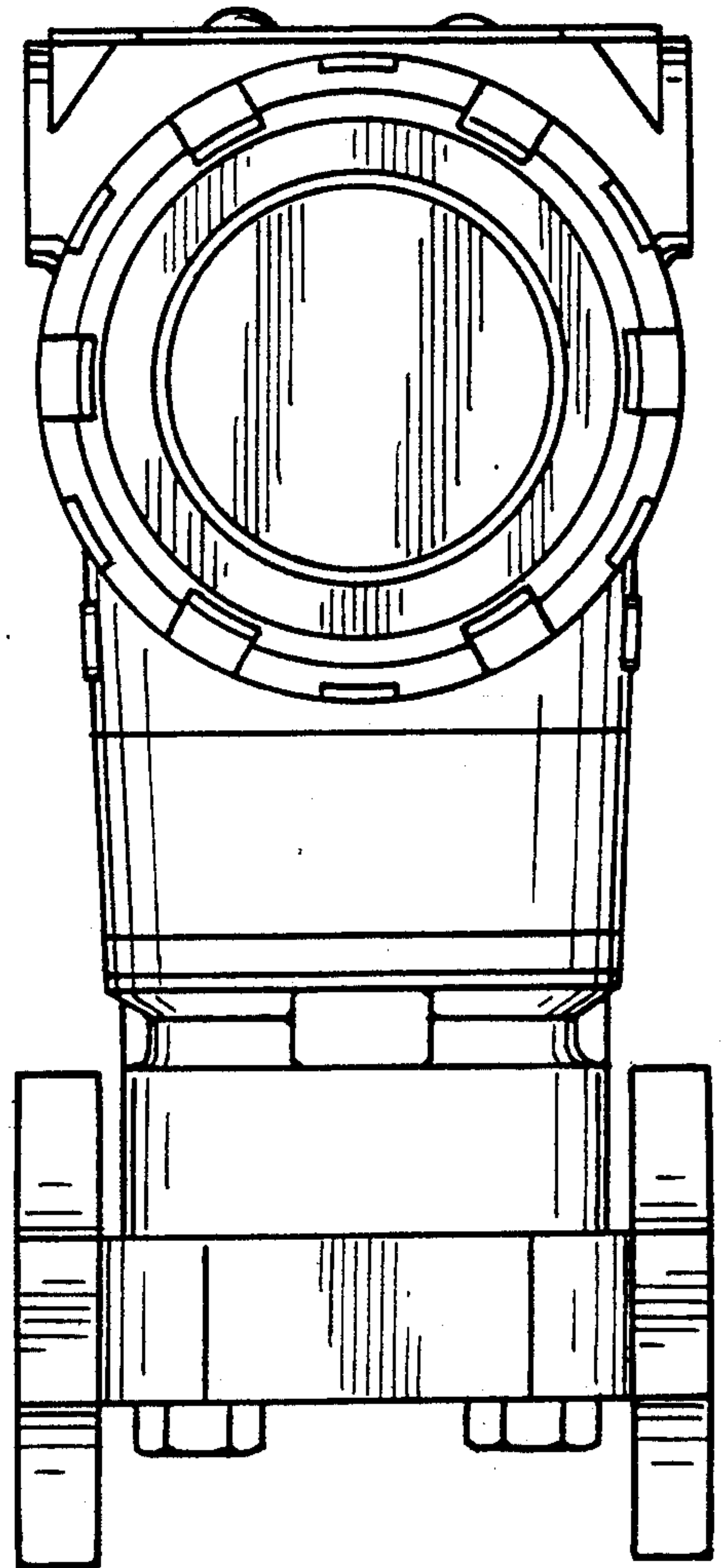


FIG. 8

**UNITED STATES PATENT AND TRADEMARK OFFICE
CERTIFICATE OF CORRECTION**

PATENT NO. : D318,432

DATED : July 23, 1991

Page 1 of 2

INVENTOR(S) : David A. Broden et al.

It is certified that error appears in the above-identified patent and that said Letters Patent is hereby corrected as shown below:

On Title page:

In the References Cited section, under U.S.
PATENT DOCUMENTS, insert the following:

D. 228,088	8/1973	Horst	D52/6R
D. 277,831	3/1985	Bergstron et al .	D10/46
D. 287,827	1/1987	Broden	D10/46
D. 296,995	8/1988	Lee	D10/46
D. 297,315	8/1988	Pierce et al . .	D10/85
3,277,719	10/1966	Prell	73/407
3,564,923	2/1971	Nudd, Jr. et al .	73/398
4,135,407	1/1979	Ezekiel	73/ 717
4,165,651	8/1979	Olsen et al . . .	73/704
4,172,388	10/1979	Gabrielson . . .	73/721
4,198,867	4/1980	Olsen	73/704
4,466,290	8/1984	Frick	73/756

UNITED STATES PATENT AND TRADEMARK OFFICE
CERTIFICATE OF CORRECTION

PATENT NO. : D318,432

DATED : July 23, 1991

Page 2 of 2

INVENTOR(S) : David A. Broden et al.

It is certified that error appears in the above-identified patent and that said Letters Patent is hereby corrected as shown below:

In the References Cited section, insert the following:

OTHER PUBLICATIONS

Brochure entitled "The Rosemount 1151 Pressure Transmitter", publication date is 10/30/83 of Rosemount, Inc.

Publication, Foxboro advertisement, published July of 1981.

Brochure, Kent Deutschland GmbH, publication date unknown.

Brochure, Kent Deltapi K, publication date unknown.

Brochure, Honeywell Instrumentation News, publication date unknown.

Signed and Sealed this
Fifteenth Day of December, 1992

Attest:

DOUGLAS B. COMER

Attesting Officer

Acting Commissioner of Patents and Trademarks