

[54] TELEPHONE LOOP TESTER

[75] Inventors: Dennis C. Blood, North St. Paul; David L. Ingalsbe, Hastings, both of Minn.

[73] Assignee: Independent Technologies, Inc., Omaha, Nebr.

[\*\*] Term: 14 Years

[21] Appl. No.: 335,984

[22] Filed: Apr. 10, 1989

[52] U.S. Cl. .... D10/78

[58] Field of Search ..... D10/46, 75, 78; 324/51, 324/52, 53, 66, 133; 379/6, 21, 22, 24, 27, 30, 32, 5; 434/219

[56] References Cited

U.S. PATENT DOCUMENTS

D. 234,603	3/1975	Snow et al. ....	D10/46 X
D. 242,722	12/1976	Bell .....	D10/78 X
D. 249,658	9/1978	Fields .....	D10/78
D. 254,778	4/1980	Kitada et al. ....	D10/78 X
D. 292,493	10/1987	King .....	D10/78 X

2,449,057	9/1948	Clayden .....	379/21 X
3,792,205	2/1974	O'Dea .....	379/21
4,022,987	5/1977	O'Dea .....	179/175
4,292,480	9/1981	Sweatt .....	179/175
4,513,179	4/1985	Phillips et al. ....	179/175
4,536,703	8/1985	Jablway et al. ....	324/52
4,591,671	5/1986	Pinede et al. ....	379/27

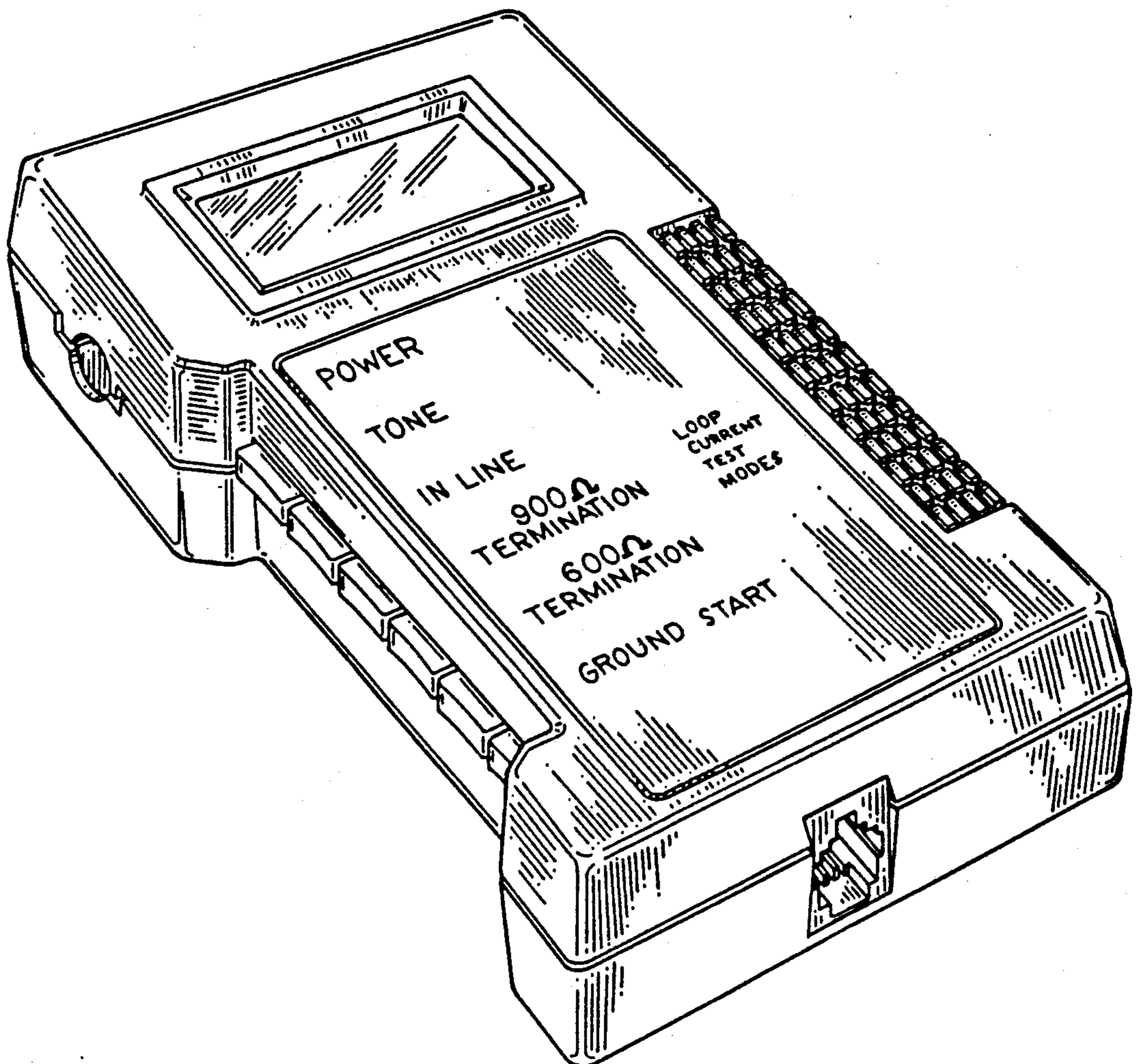
Primary Examiner—Nelson C. Holtje  
Assistant Examiner—Antoine D. Davis  
Attorney, Agent, or Firm—Anthony G. Eggink; Joel D. Skinner

[57] CLAIM

The ornamental design for a telephone loop tester, as shown and described.

DESCRIPTION

FIG. 1 is a bottom, front and left side perspective view of a telephone loop tester showing our new design; FIG. 2 is a front elevational view; FIG. 3 is a rear elevational view; FIG. 4 is a top plan view; FIG. 5 is a bottom plan view; FIG. 6 is a right side elevational view; and FIG. 7 is a left side elevational view thereof.



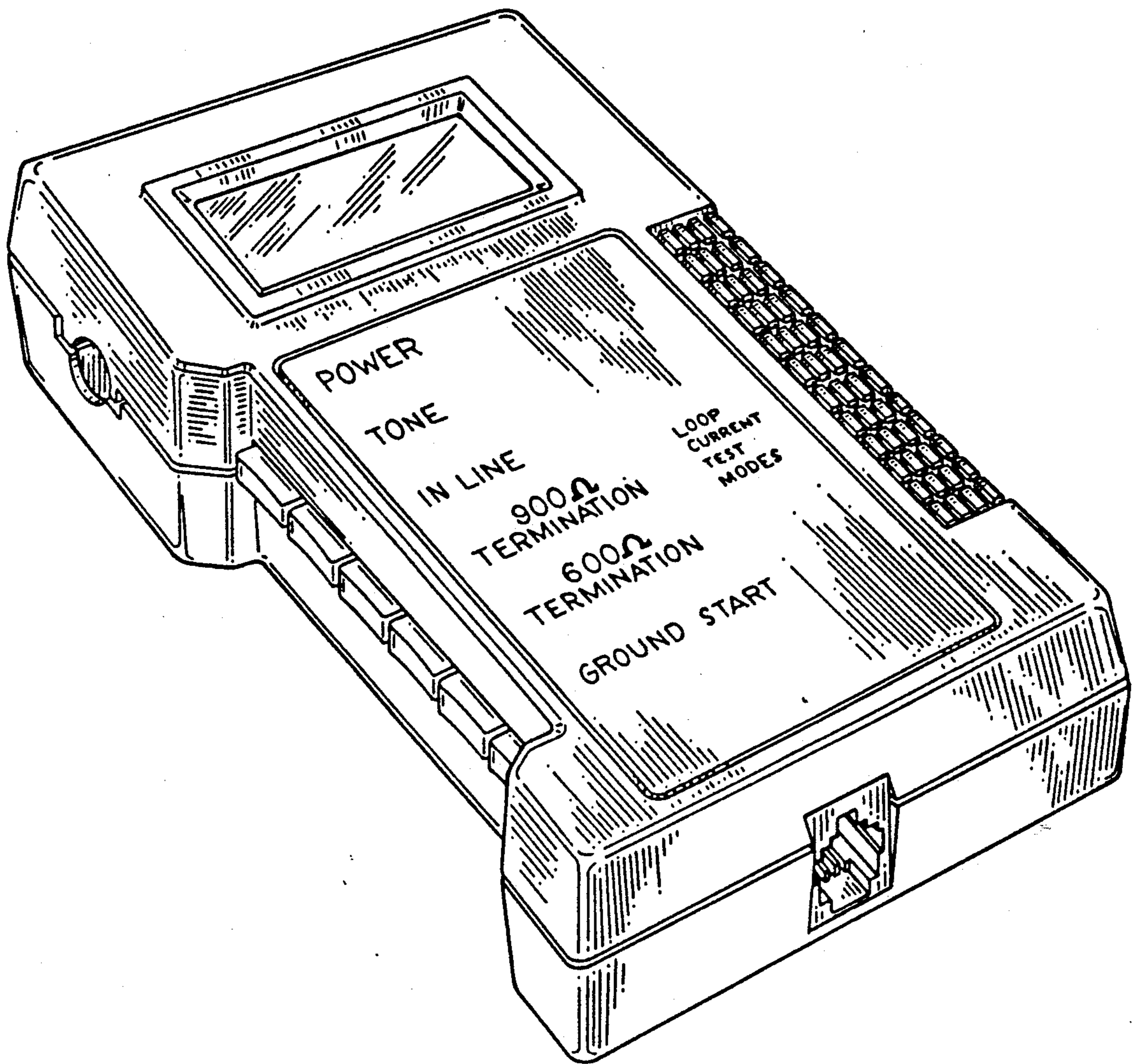


FIG. 1

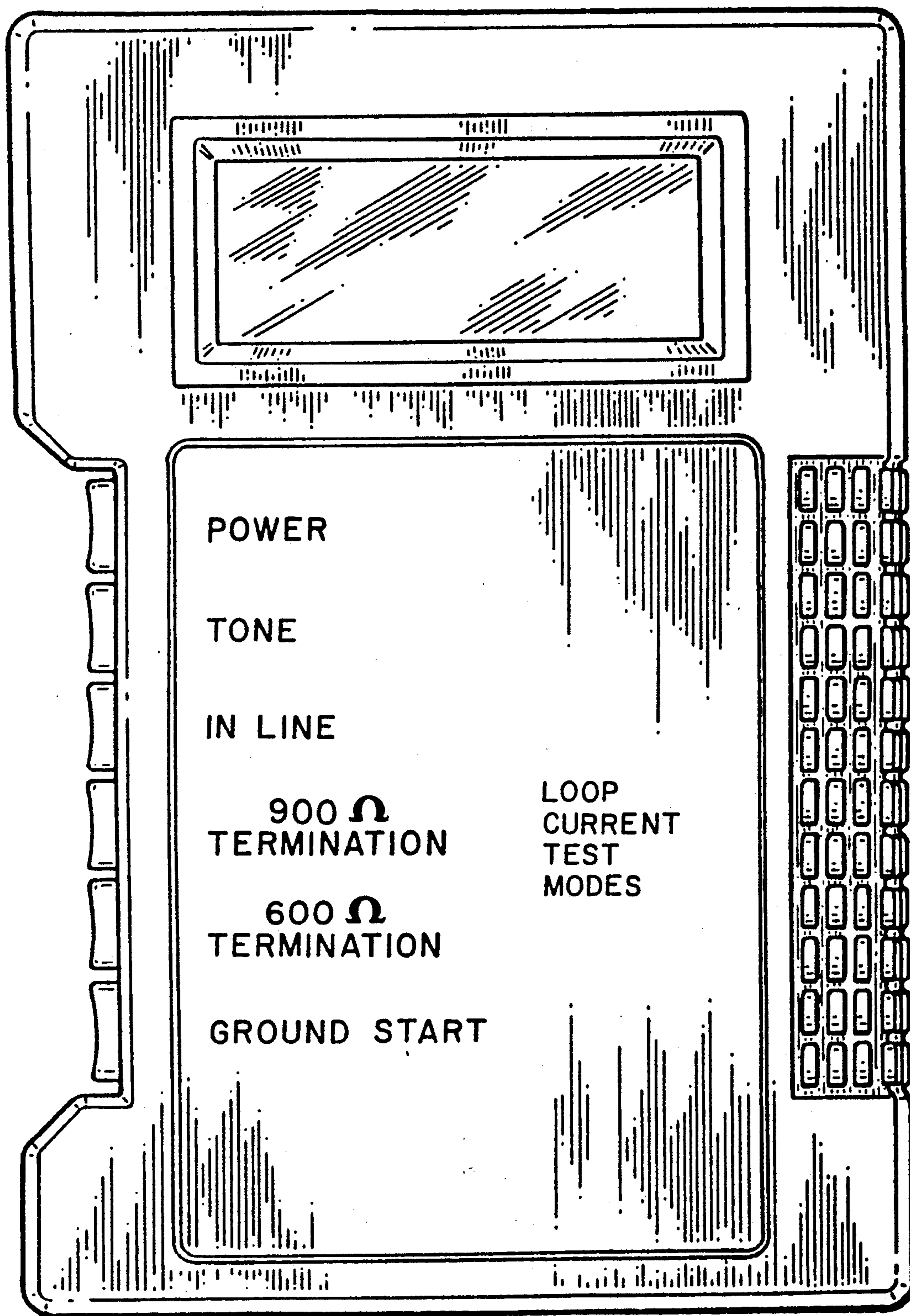


FIG. 2

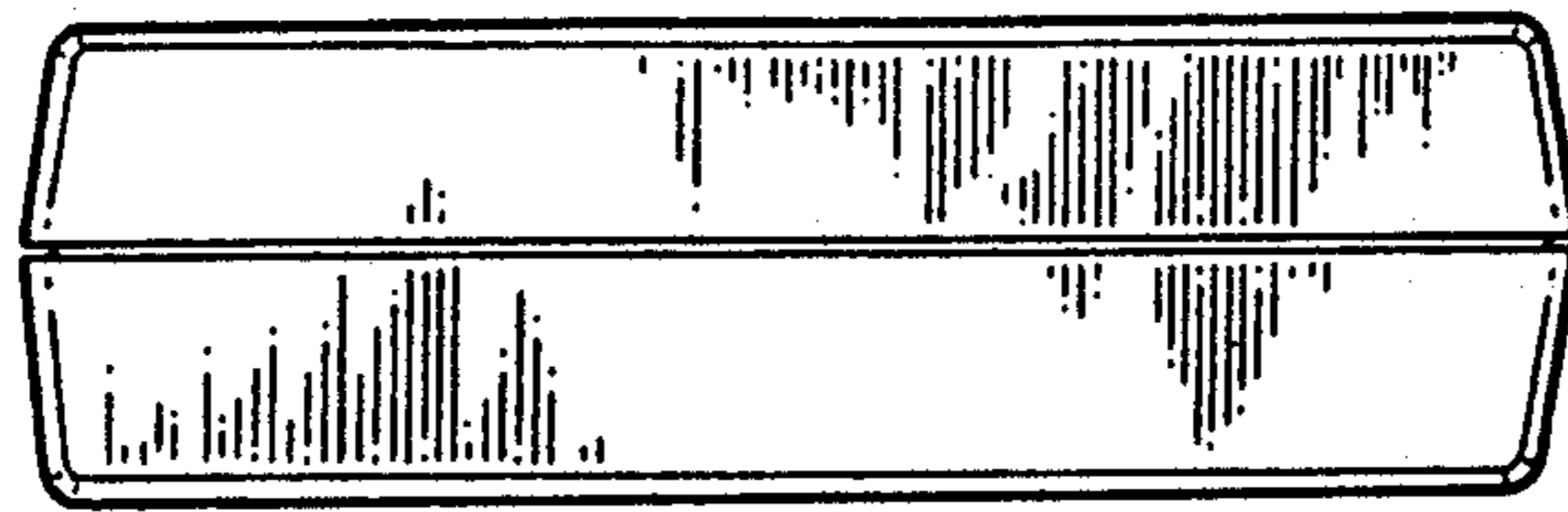


FIG. 4

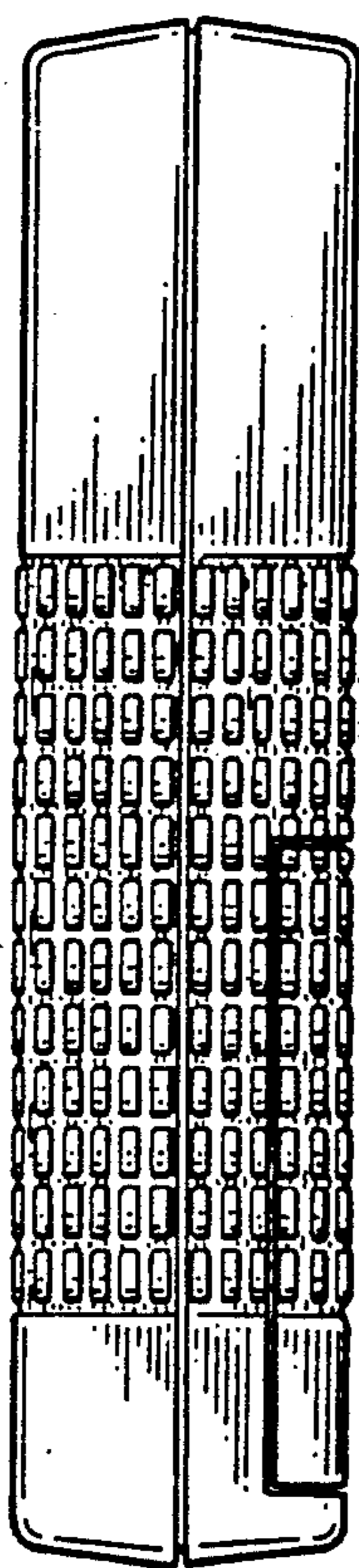


FIG. 7

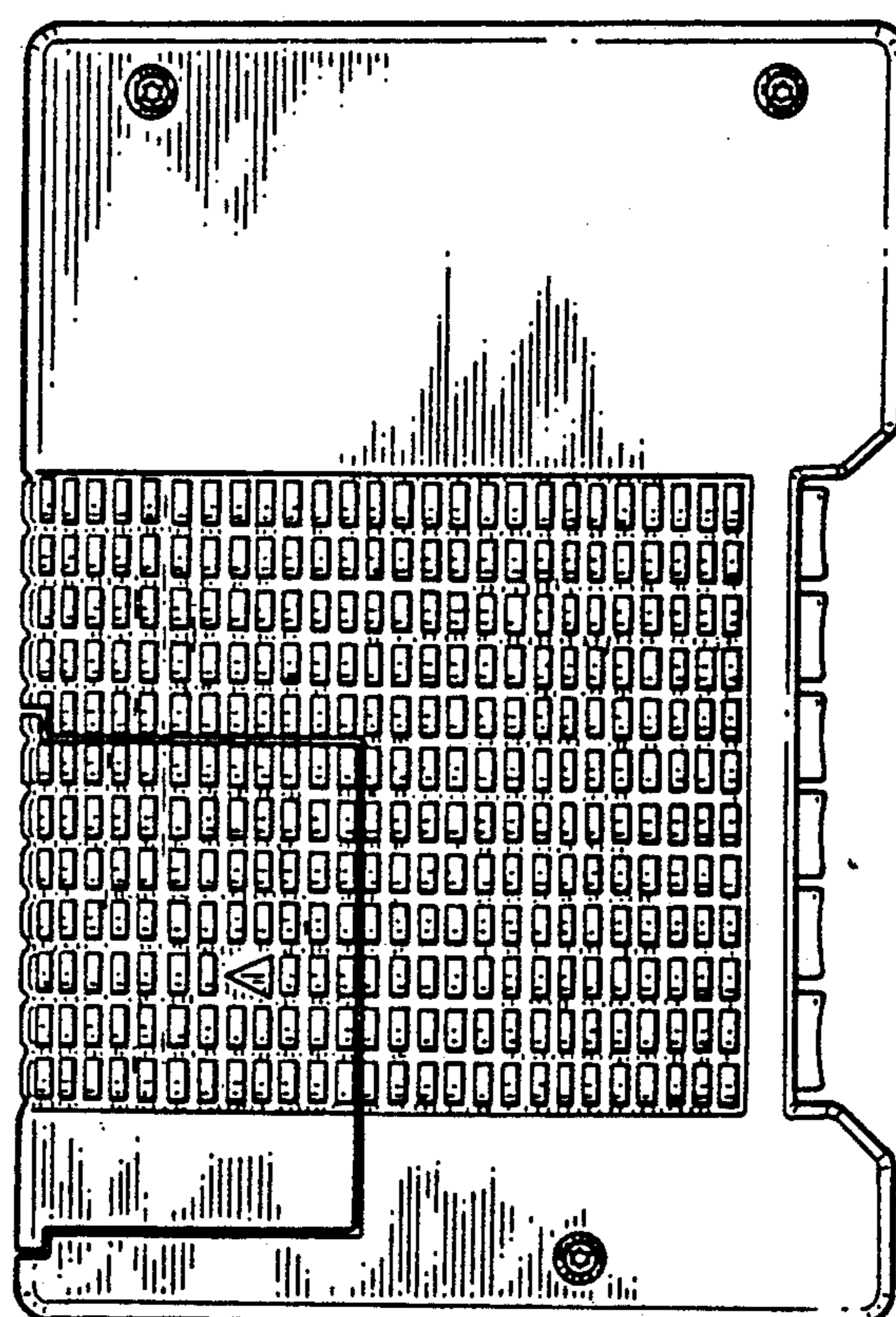


FIG. 3

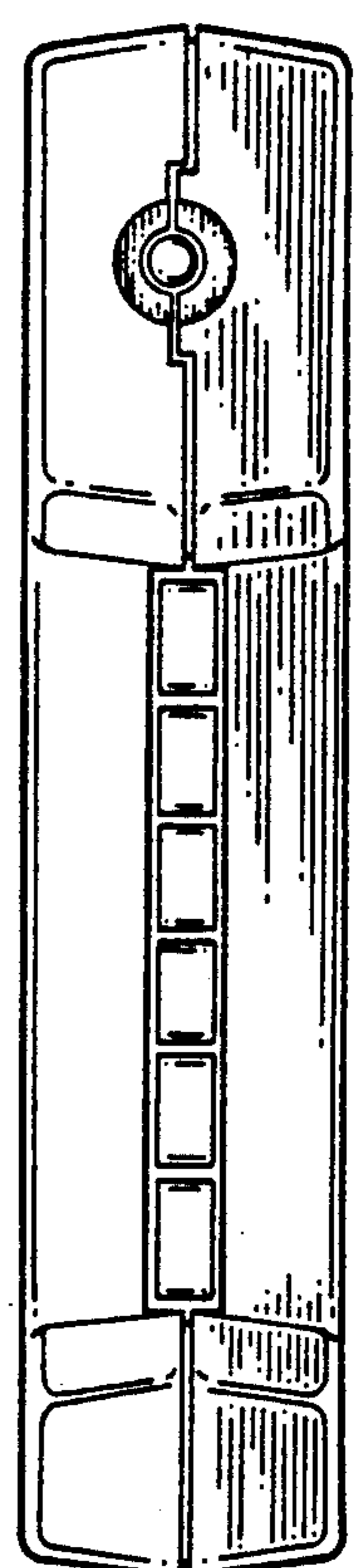


FIG. 5

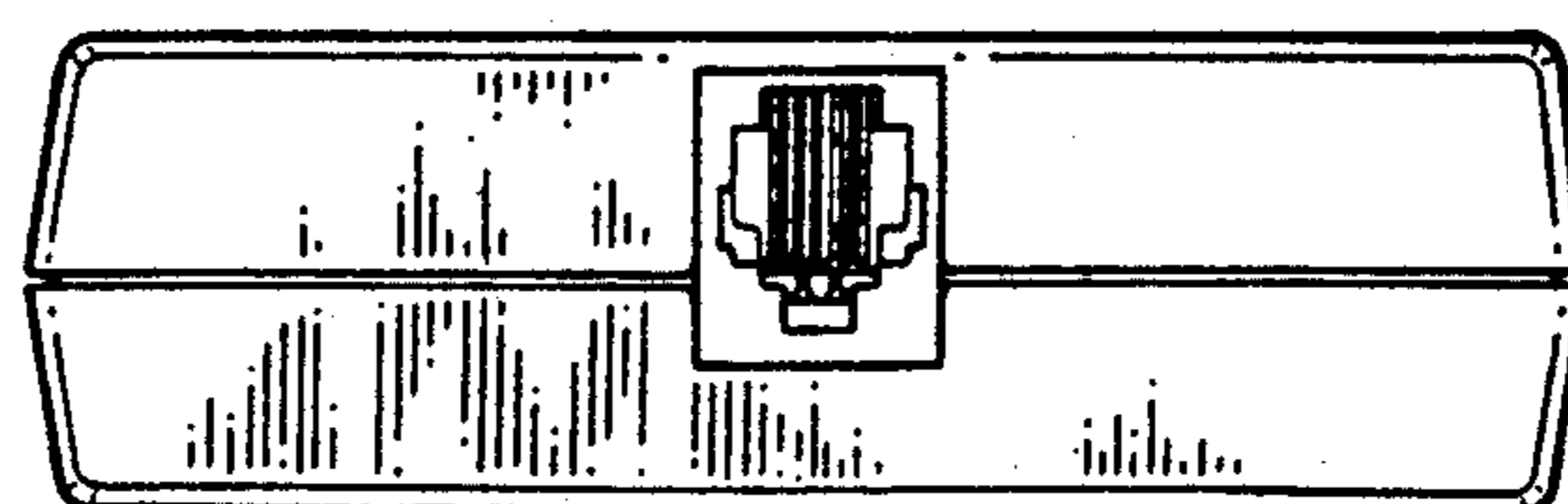


FIG. 6