

[54] CLOCK

[75] Inventors: Shinji Ikeya, Moriguchi; Kenichi Ogawa, Osaka; Chihiro Fuse, Osaka; Yasuhiro Ohe, Osaka; Hiroyuki Miyai, Osaka; Koji Nobuchi, Osaka; Hiroko Kitano, Osaka, all of Japan

[73] Assignee: Sanyo Electric Co., Ltd., Osaka, Japan

[**] Term: 14 Years

[21] Appl. No.: 234,290

[22] Filed: Aug. 18, 1988

[30] Foreign Application Priority Data

Feb. 29, 1988 [JP] Japan 63-8140

[52] U.S. Cl. D10/24

[58] Field of Search D10/1-39, D10/127-132; 368/276-277, 280-282, 285, 63

[56] References Cited

U.S. PATENT DOCUMENTS

- D. 80,628 3/1930 Lux D10/21 X
- D. 241,626 9/1976 Durco D10/15
- D. 246,158 10/1977 Durgo D10/15

- D. 255,101 5/1980 Booty D10/15
- D. 274,191 6/1984 Aoijs D10/15 X
- D. 277,556 2/1985 Pappas D10/15

OTHER PUBLICATIONS

Hong Kong Enterprise-2/86-Cubic Clock-center panel at bottom-right.

*Primary Examiner—Nelson C. Holtje
Attorney, Agent, or Firm—Darby & Darby*

[57] CLAIM

The ornamental design for a clock, as shown and described.

DESCRIPTION

FIG. 1 is a front and top-right perspective view of a clock showing our new design;
 FIG. 2 is an exploded front perspective view with the side panels extended away from the clock body;
 FIG. 3 is a front elevational view;
 FIG. 4 is a rear elevational view;
 FIG. 5 is a top plan view;
 FIG. 6 is a bottom plan view;
 FIG. 7 is a left side elevational view; and
 FIG. 8 is a right side elevational view; and
 FIG. 9 is a right side elevational view thereof.

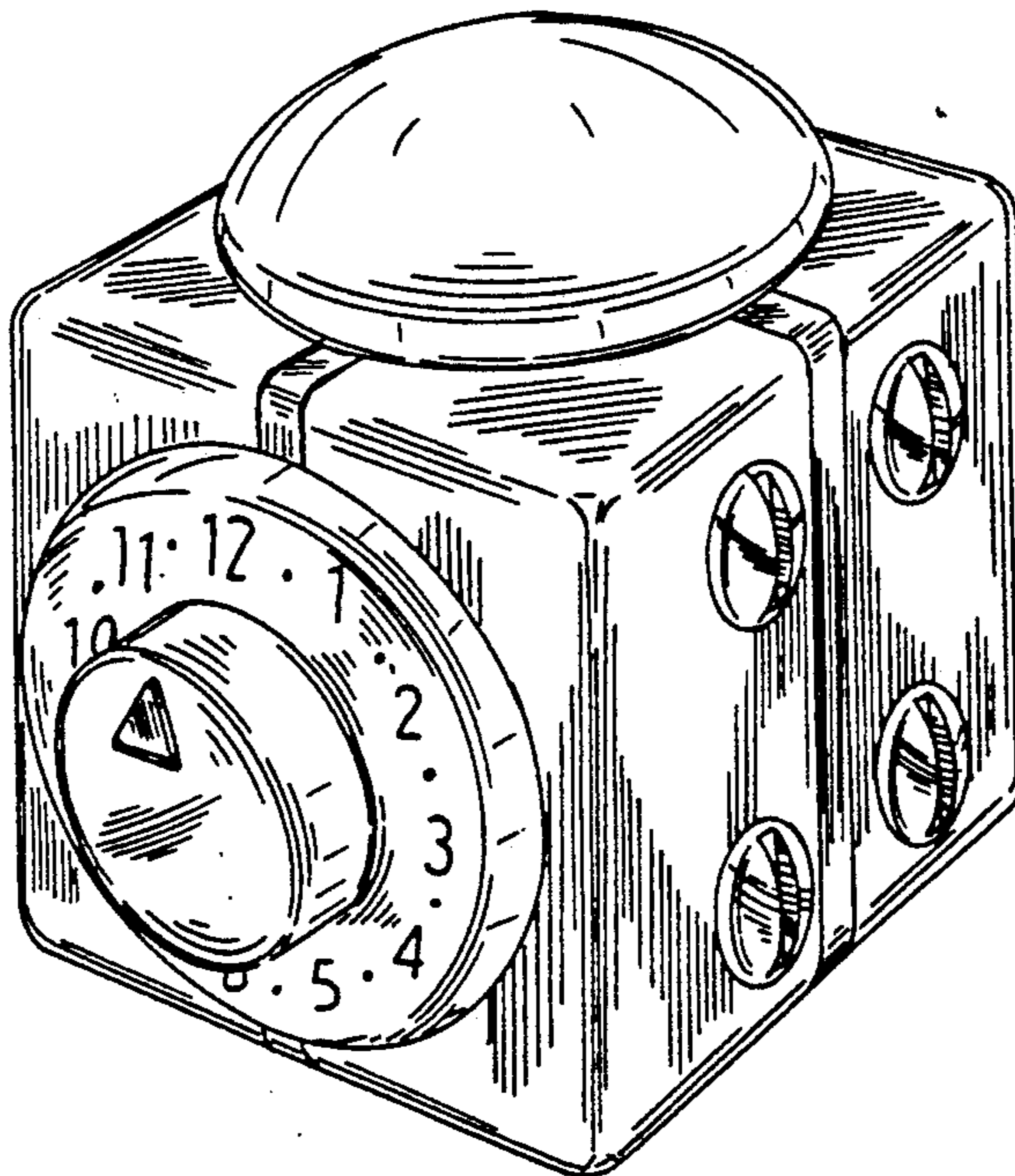


FIG. 1

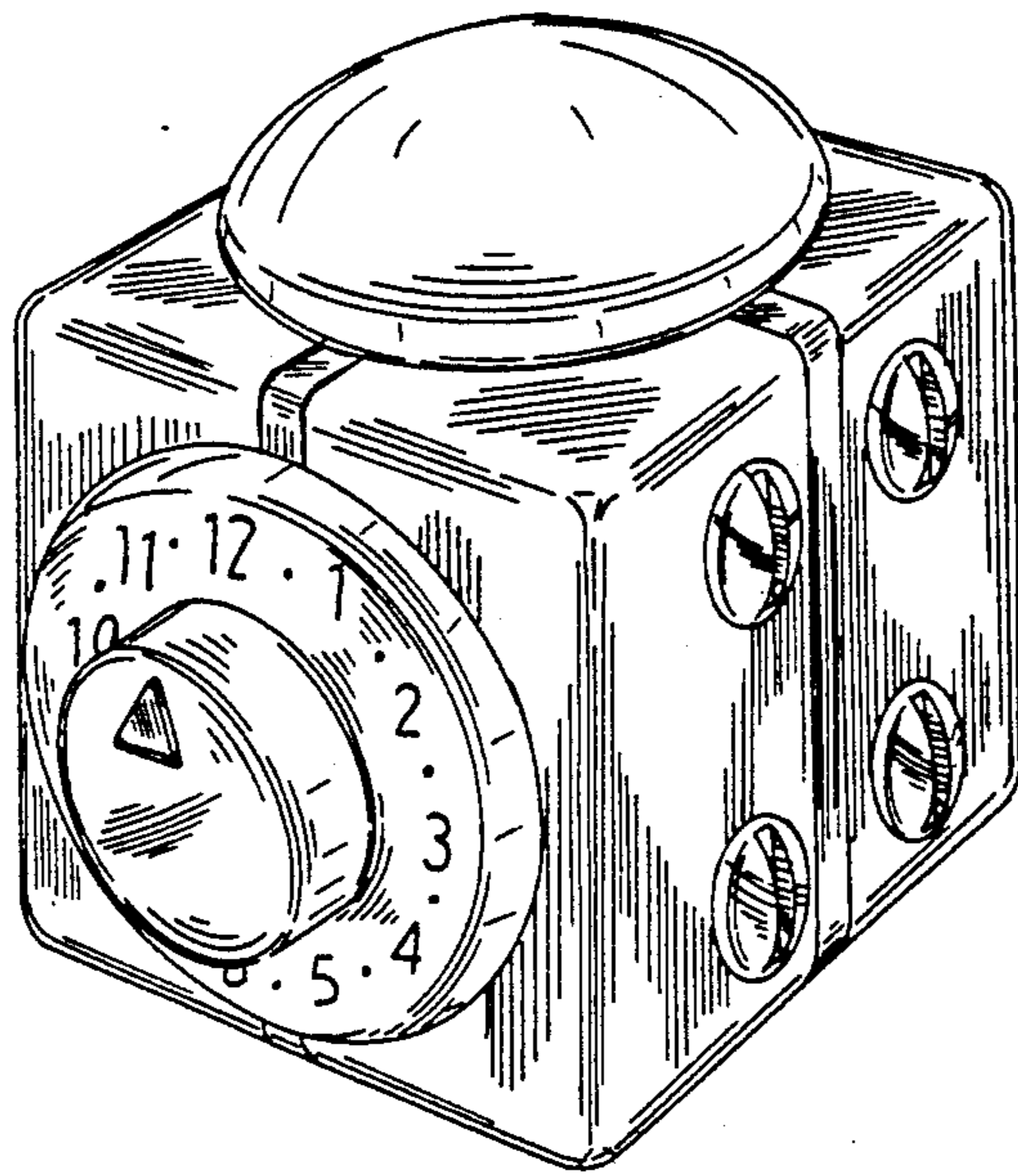


FIG. 2

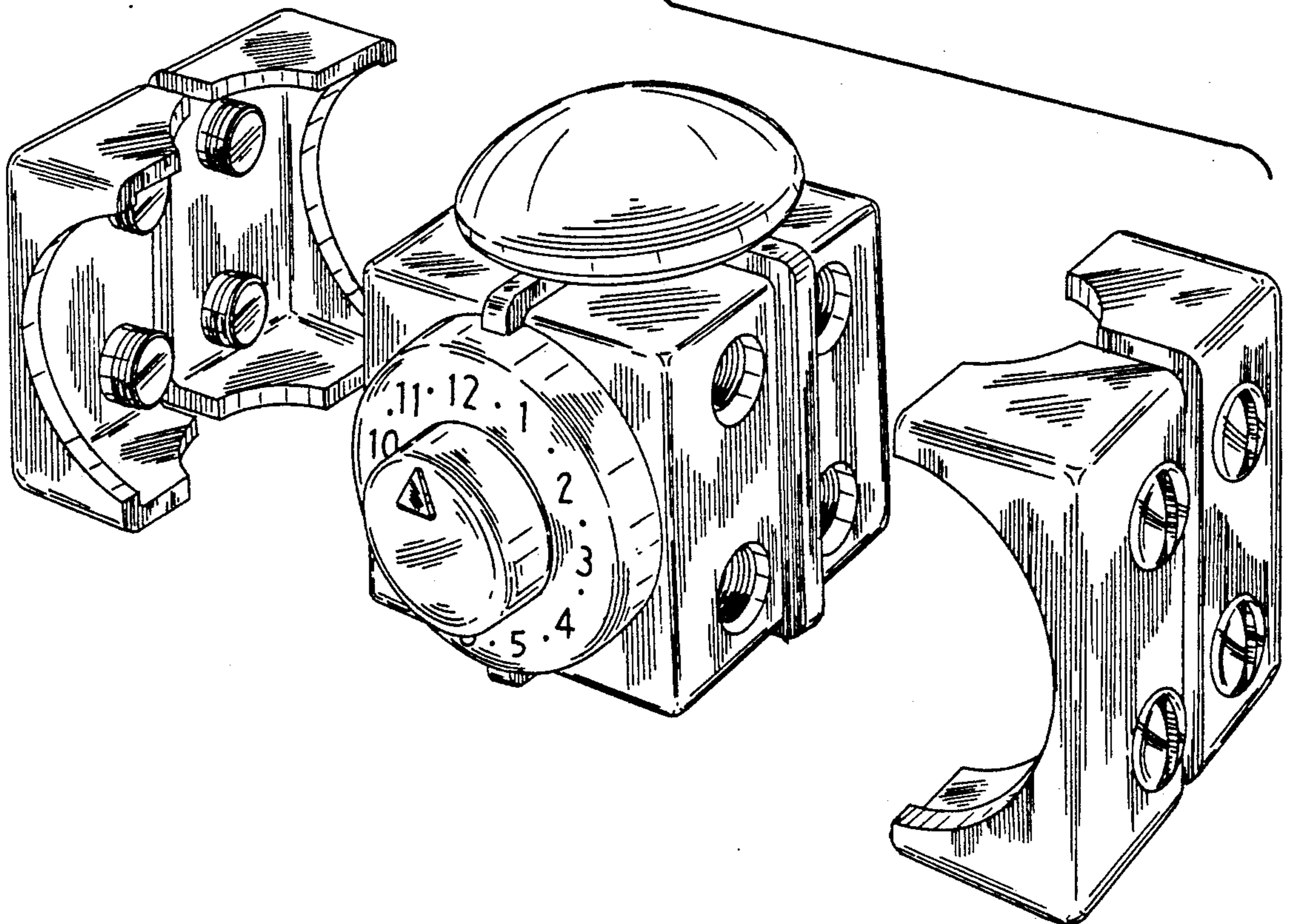


FIG. 3

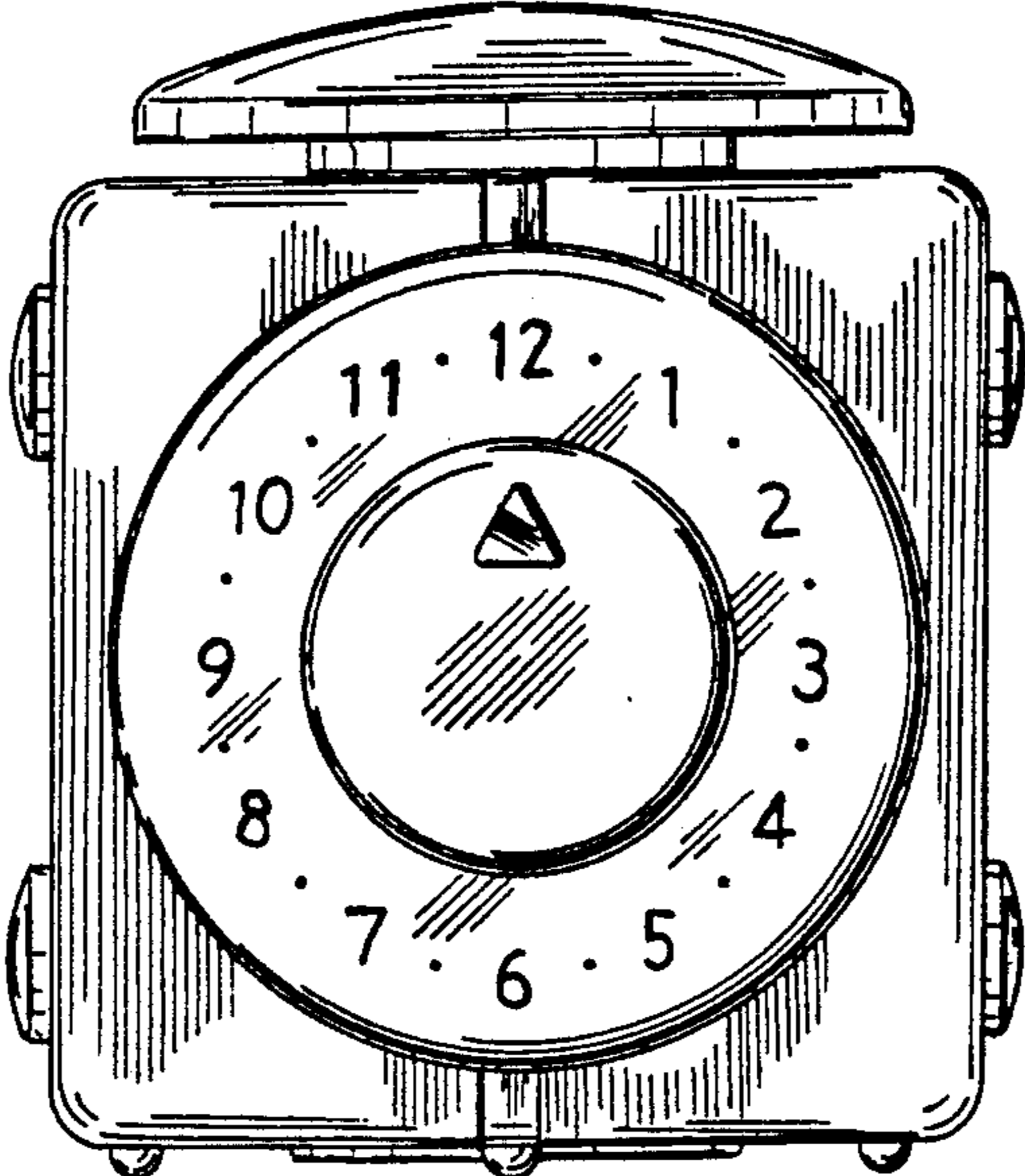


FIG. 4

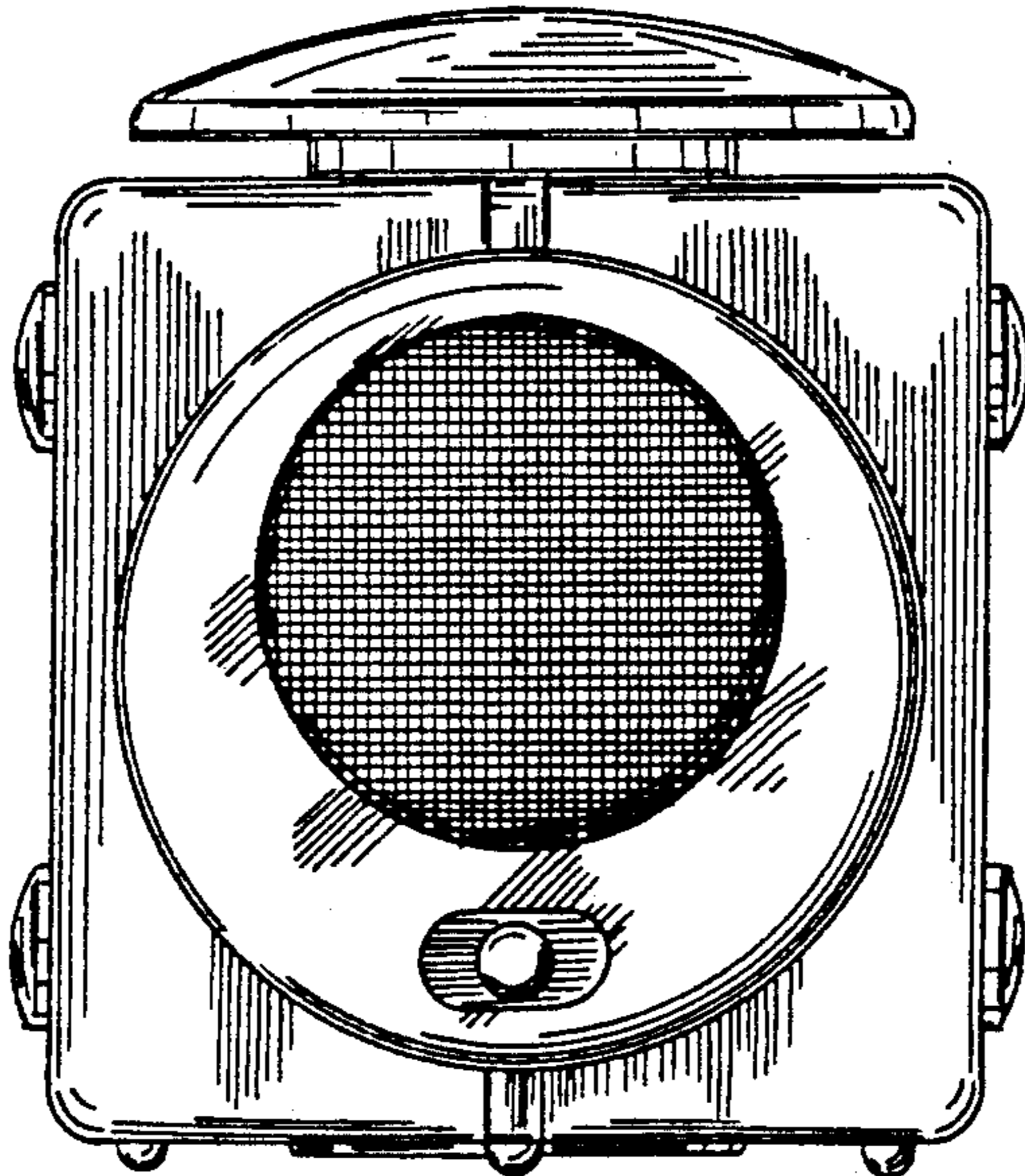


FIG. 5

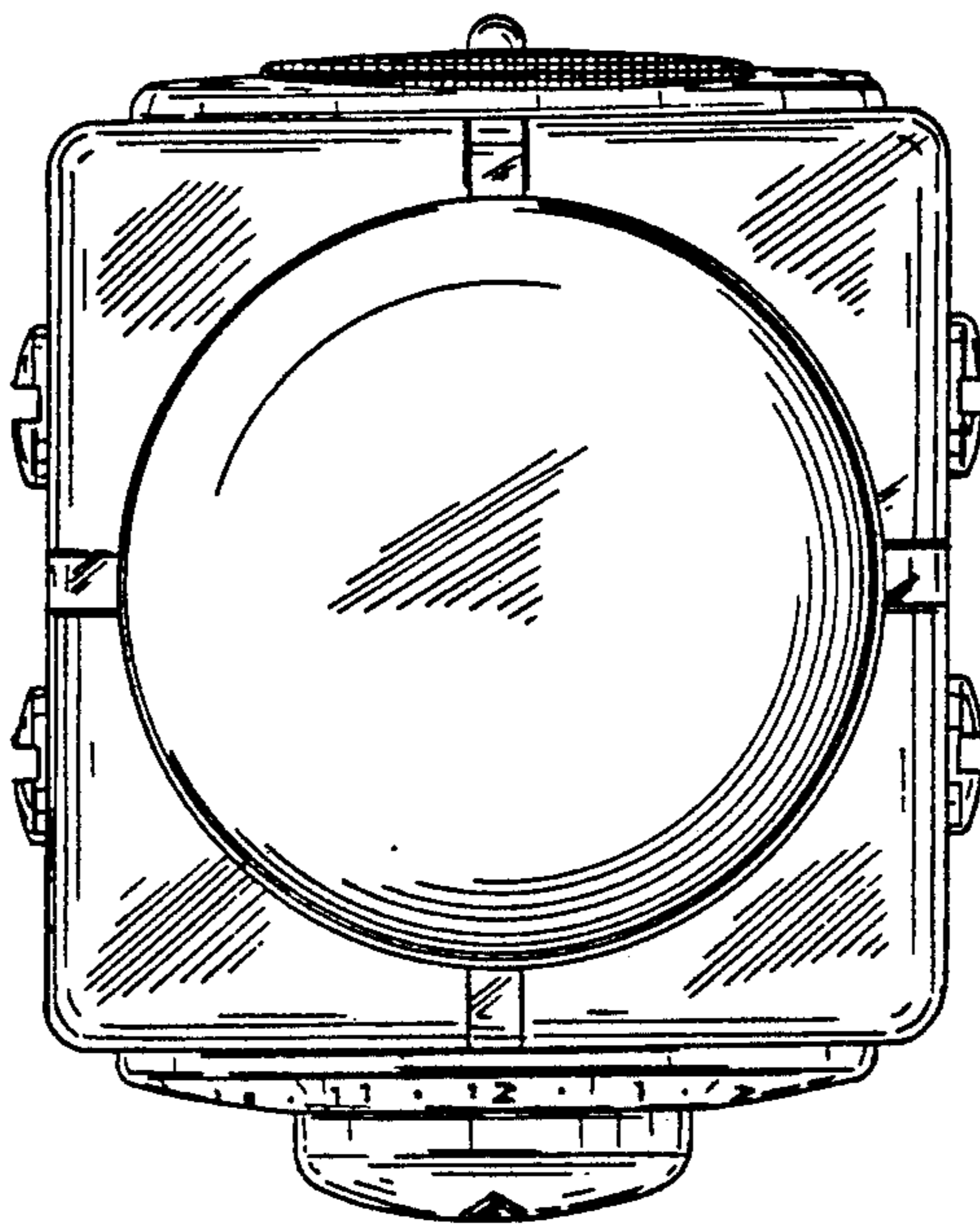


FIG. 6

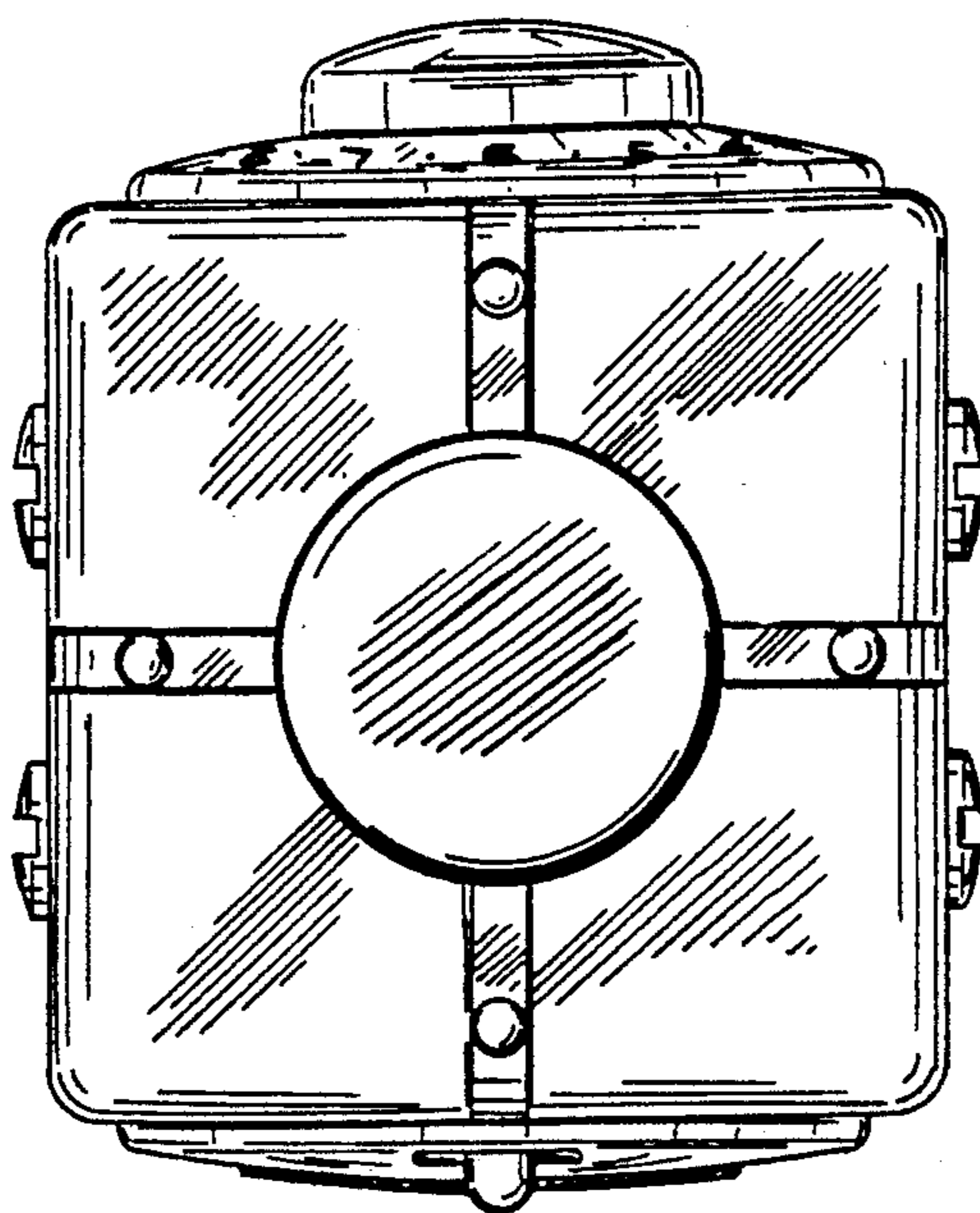


FIG. 7

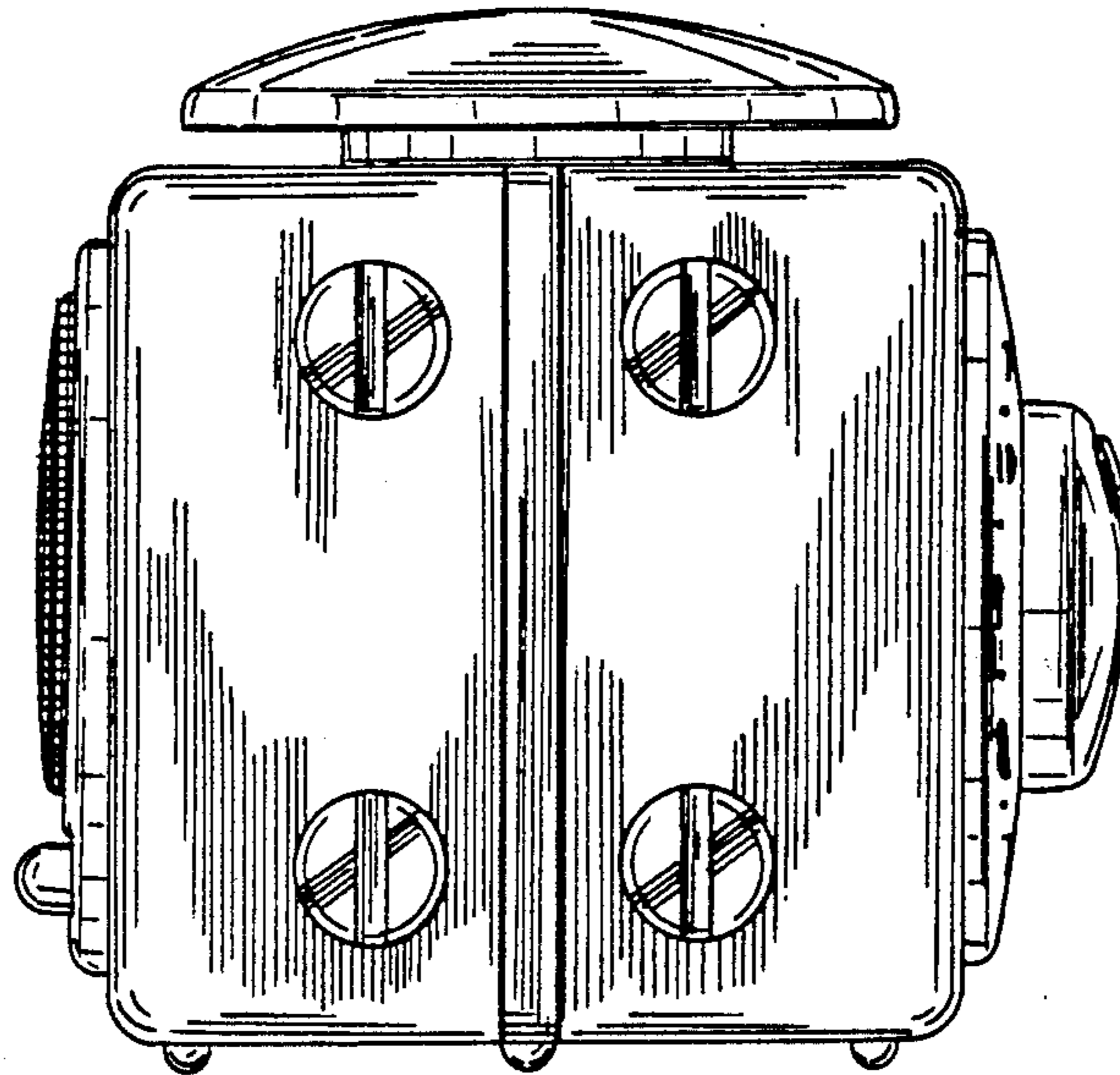


FIG. 8

