

United States Patent [19]

Kowk

[11] Patent Number: **Des. 318,428**

[45] Date of Patent: **** Jul. 23, 1991**

[54] **PEDESTAL FOR GAS CYLINDER**

[76] Inventor: **Ronald Kowk, 2899 Steeles Avenue West, No. 23, Downsview, Ontario, Canada, M3J 3A1**

[**] Term: **14 Years**

[21] Appl. No.: **305,659**

[22] Filed: **Feb. 3, 1989**

[52] U.S. Cl. **D9/455; D3/301**

[58] Field of Search **D9/434, 455; D3/30.1; D29/4, 5; D7/396.6, 404, 407; D21/8, 208; 248/346, 346.1, 349; 220/85 H; 215/100.5**

[56] **References Cited**

U.S. PATENT DOCUMENTS

- D. 128,150 7/1941 Swofford D7/624
- D. 253,202 10/1979 Grigsley, Sr. D3/30.1

- D. 281,832 12/1985 Trull D3/30.1
- D. 295,962 5/1988 Conlon D9/455
- 791,097 5/1905 Jericho 215/100.5
- 3,458,164 7/1969 Massey 220/85 H
- 4,253,630 3/1981 Rigg 248/346
- 4,550,894 11/1985 Barlics 248/346

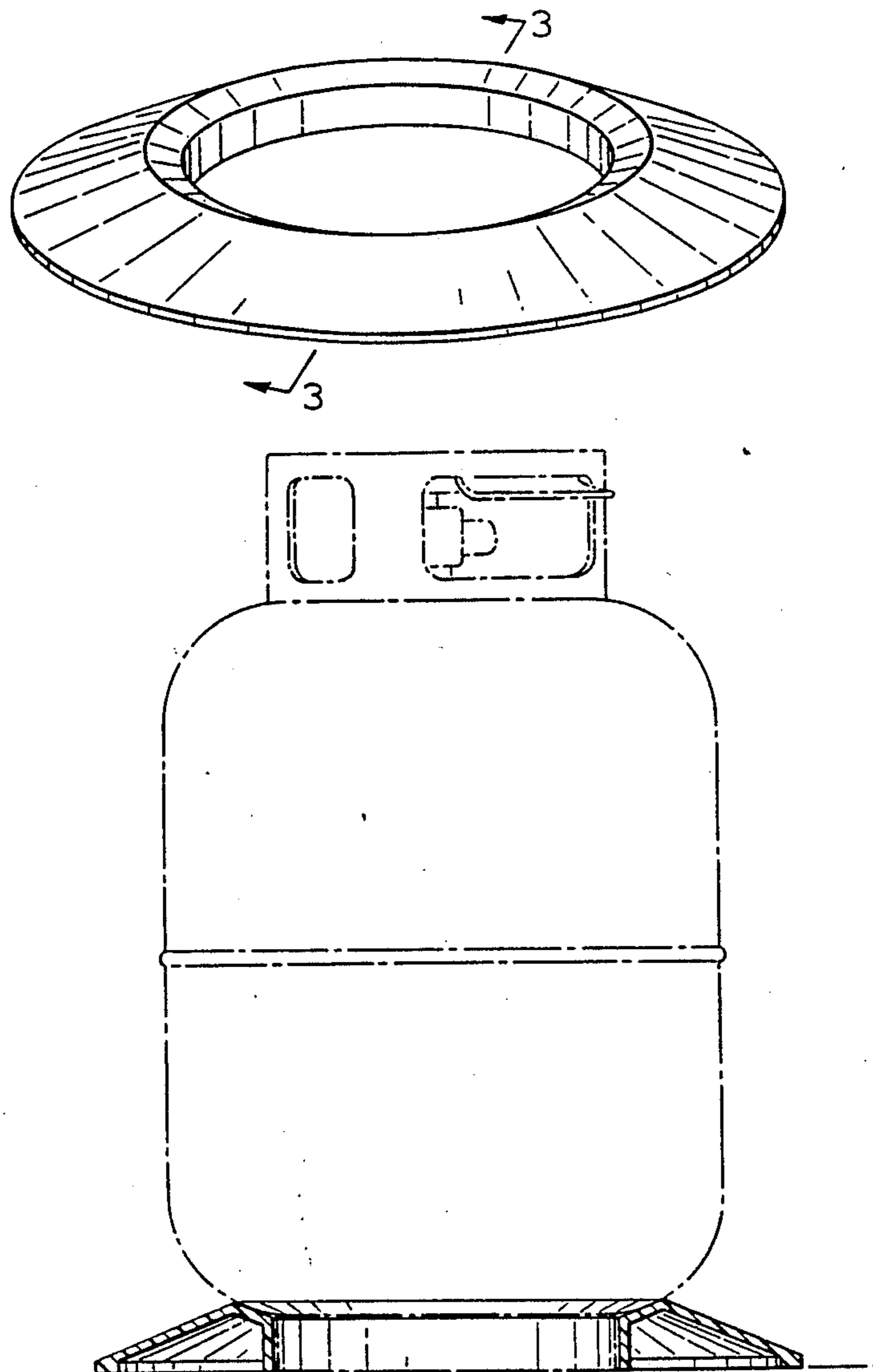
Primary Examiner—B. J. Bullock
Assistant Examiner—Dominic Simone
Attorney, Agent, or Firm—Fetherstonhaugh & Co.

[57] **CLAIM**

The ornamental design for a pedestal for gas cylinder, as shown and described.

DESCRIPTION

FIG. 1 is a top perspective view of a pedestal for gas cylinder showing my new design;
FIG. 2 is a bottom perspective view thereof;
FIG. 3 is a cross-sectional view thereof, the gas cylinder shown in broken lines for illustrative purposes only.



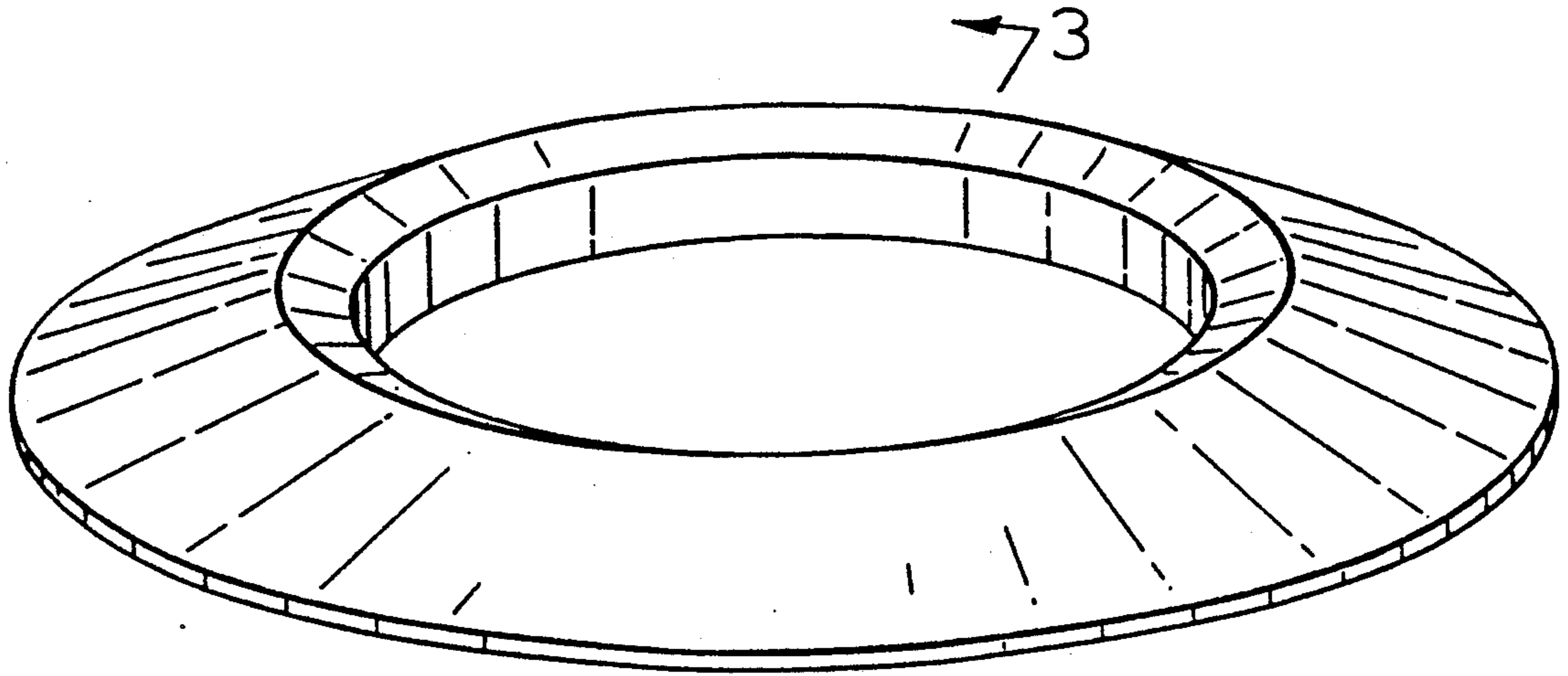


FIG. 1

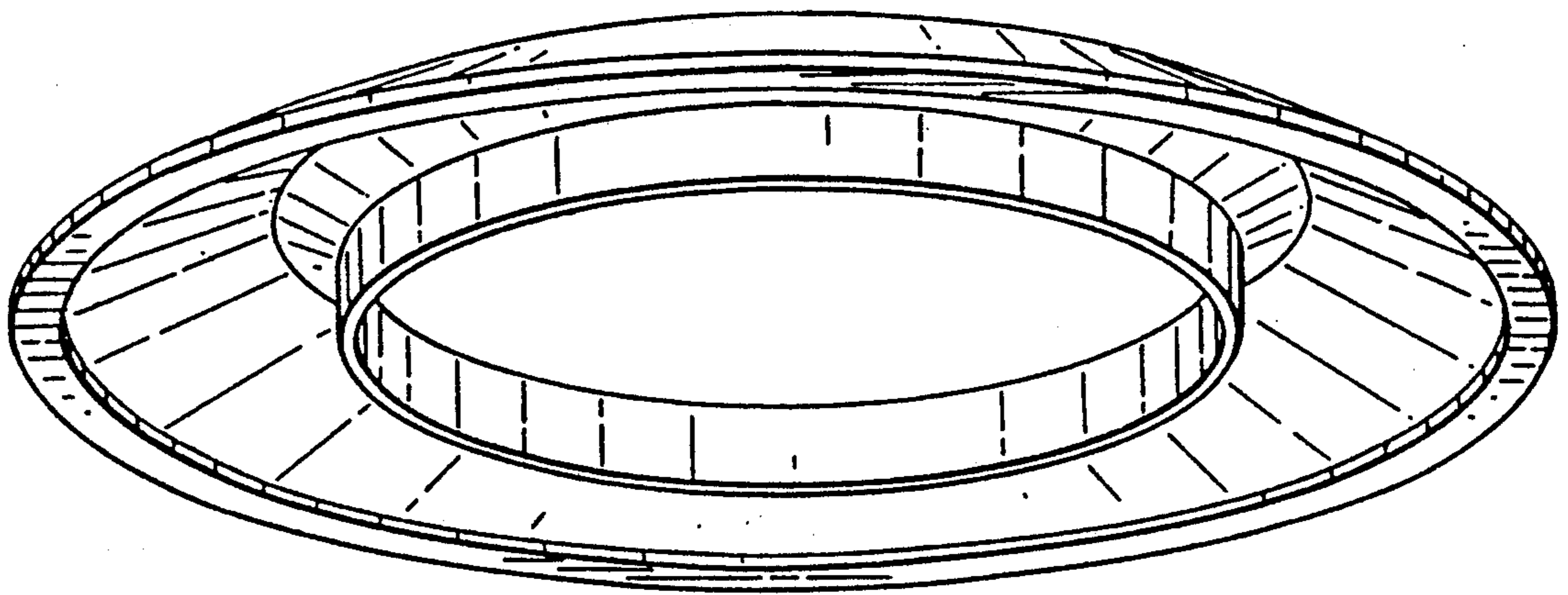


FIG. 2

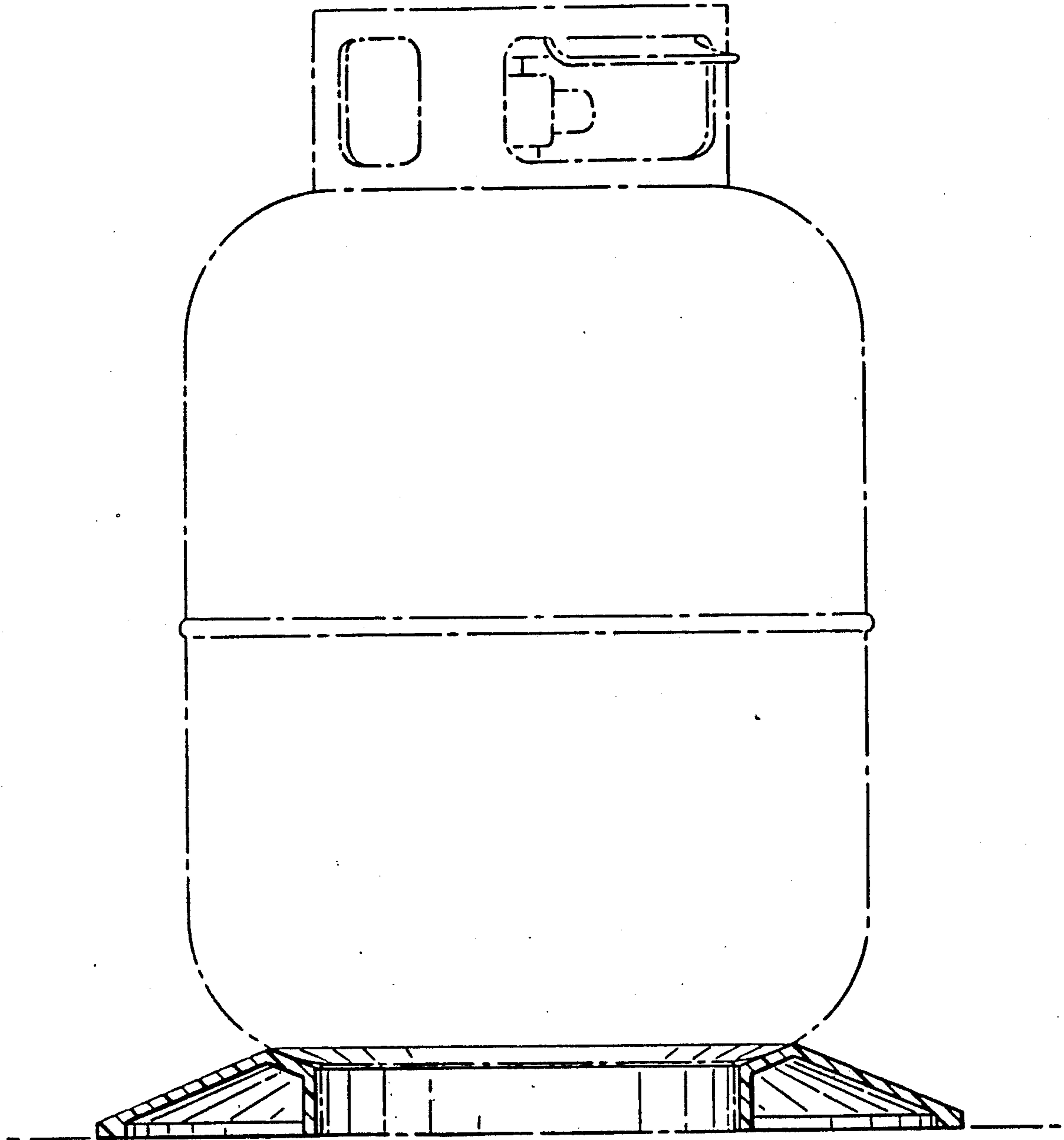


FIG. 3