

[54] COMBINED BEVERAGE CAN TOP AND STRAW

[75] Inventor: Glenn M. Sherburne, Jr., Albert Lea, Minn.

[73] Assignee: Pop Top of Albert Lea, Inc., Albert Lea, Minn.

[\*\*] Term: 14 Years

[21] Appl. No.: 397,099

[22] Filed: Aug. 22, 1989

[52] U.S. Cl. .... D9/436; D9/434

[58] Field of Search ..... D9/434, 435, 444-447, D9/449, 436; D7/300.2; 224/30 A, 30 R, 32 R, 32 A, 35, 37; 239/33; 215/229

[56] References Cited

U.S. PATENT DOCUMENTS

D. 185,179	5/1959	Tupper	.....	D9/436
D. 207,988	6/1967	Grant	.....	D9/446
1,236,029	8/1917	Williams	.....	239/33
2,613,988	10/1952	Jarbeau	.....	239/33

2,958,439	11/1960	Yochem	.....	220/339
3,463,361	8/1969	Cook et al.	.....	239/33
4,134,494	1/1979	Wong	.....	D7/300.2
4,448,316	5/1984	Hiroshige	.....	220/90.2

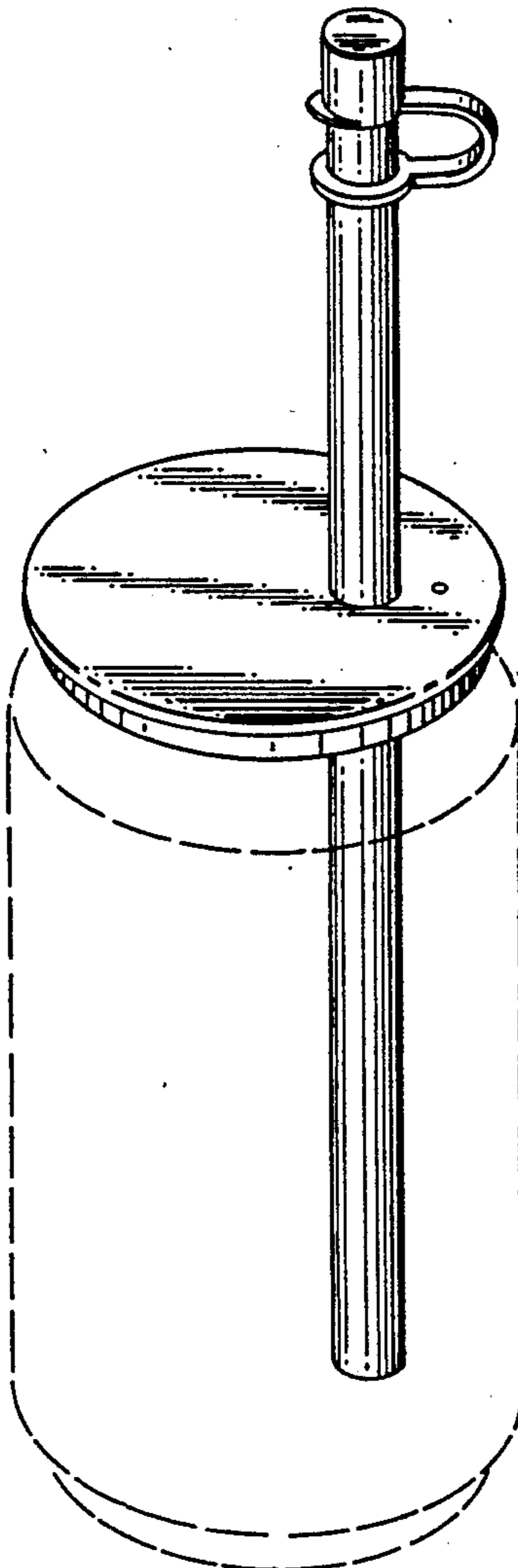
Primary Examiner—B. J. Bullock  
Assistant Examiner—Dominic Simone  
Attorney, Agent, or Firm—Kinney & Lange

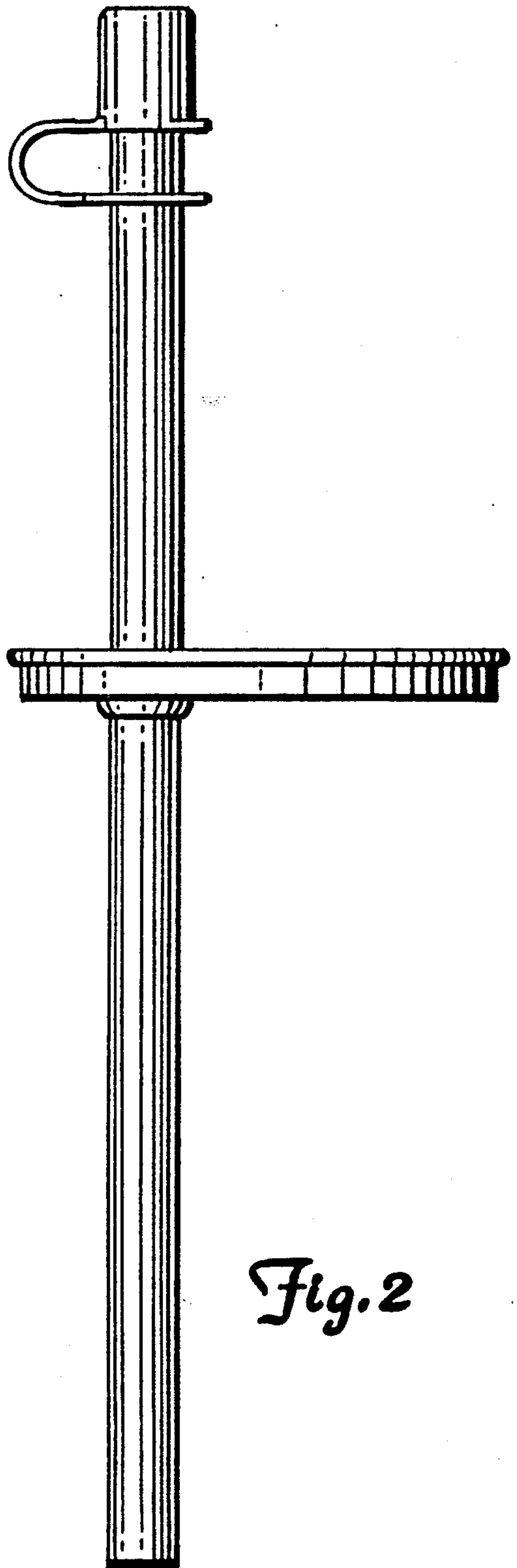
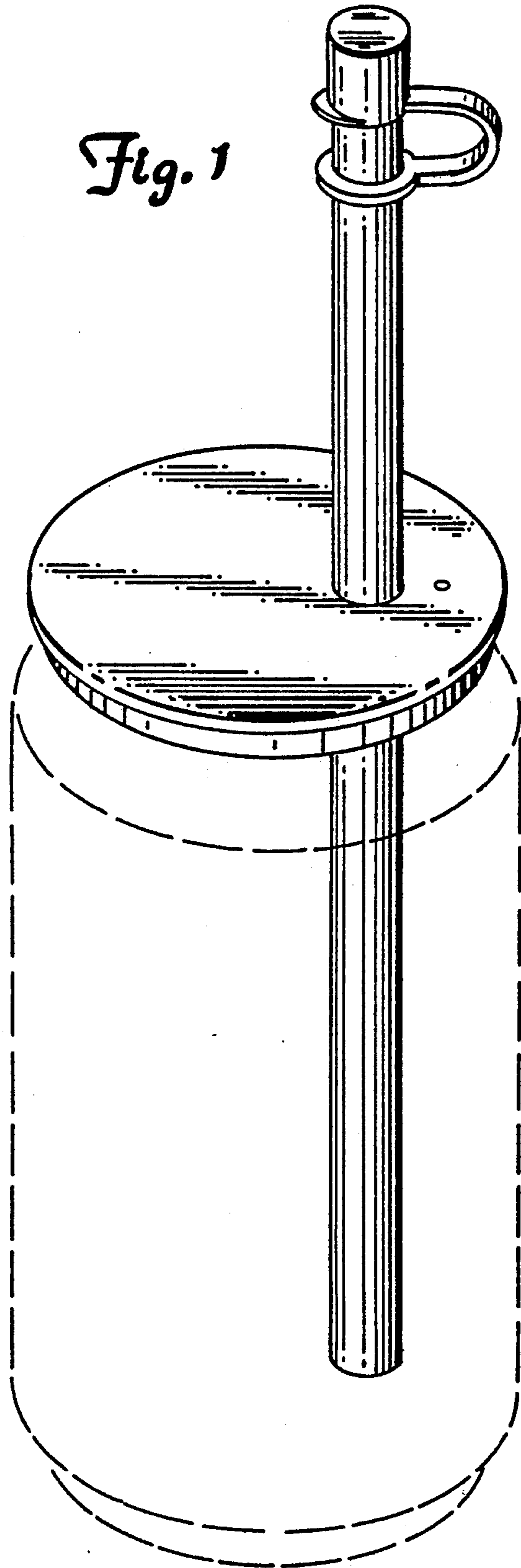
[57] CLAIM

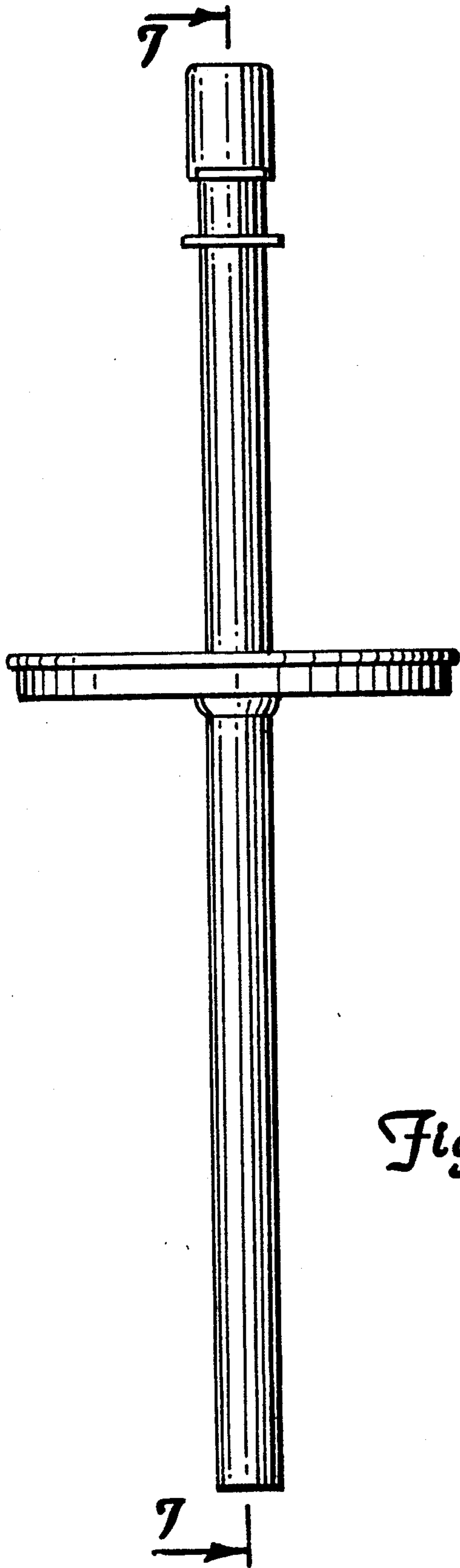
The ornamental design for a combined beverage can top and straw, as shown and described.

DESCRIPTION

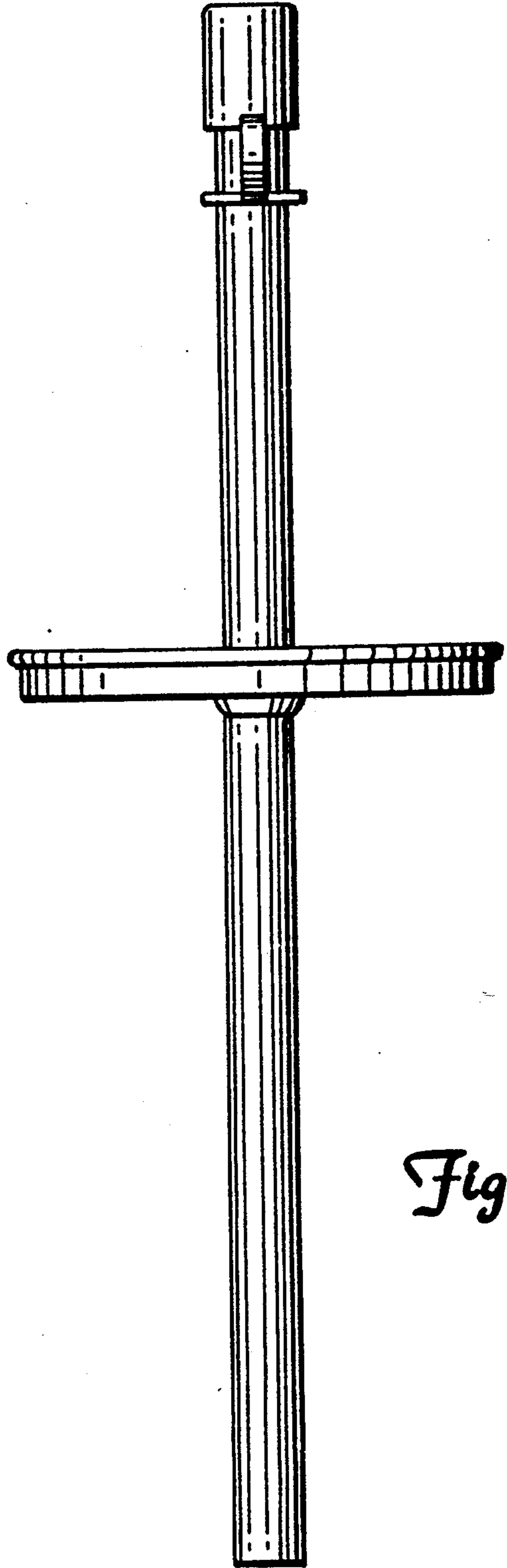
FIG. 1 is a perspective view of a combined soda can top and straw showing my new design, the can shown in broken lines for illustrative purposes only; FIG. 2 is a rear elevational view thereof, the front being a mirror image; FIG. 3 is a left side elevational view thereof; FIG. 4 is a right side elevational view thereof; FIG. 5 is a top plan view thereof; FIG. 6 is a bottom plan view thereof; FIG. 7 is a cross-sectional view thereof, taken in the direction of the arrows along line 7—7 of FIG. 3.





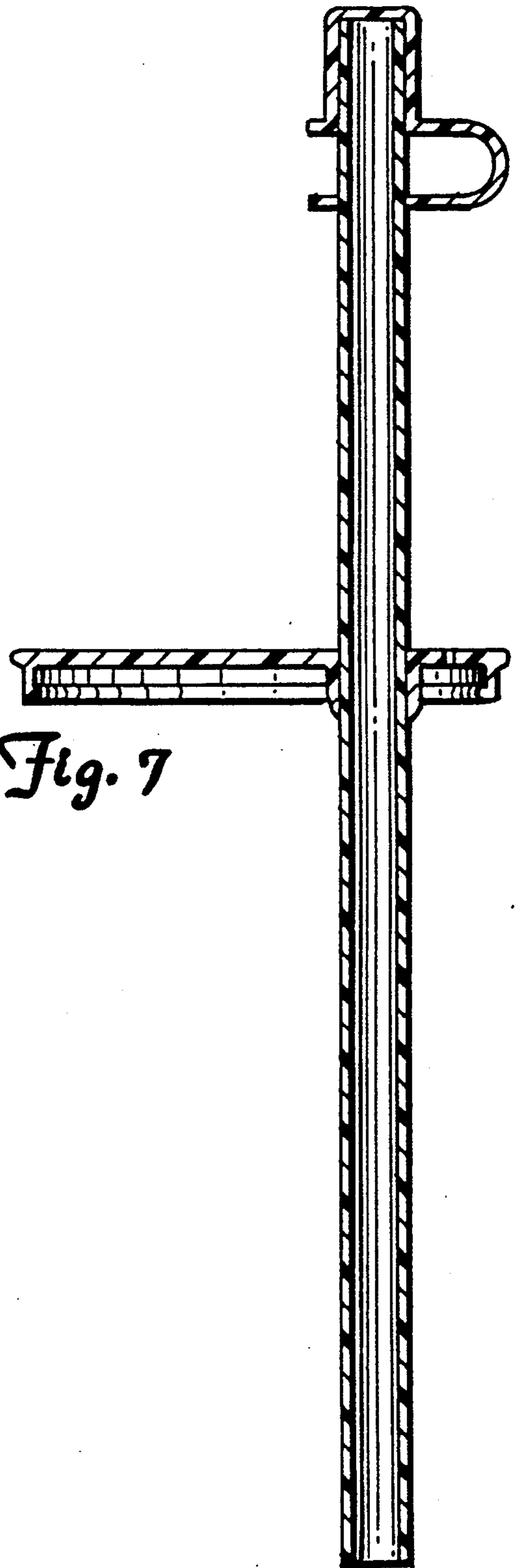
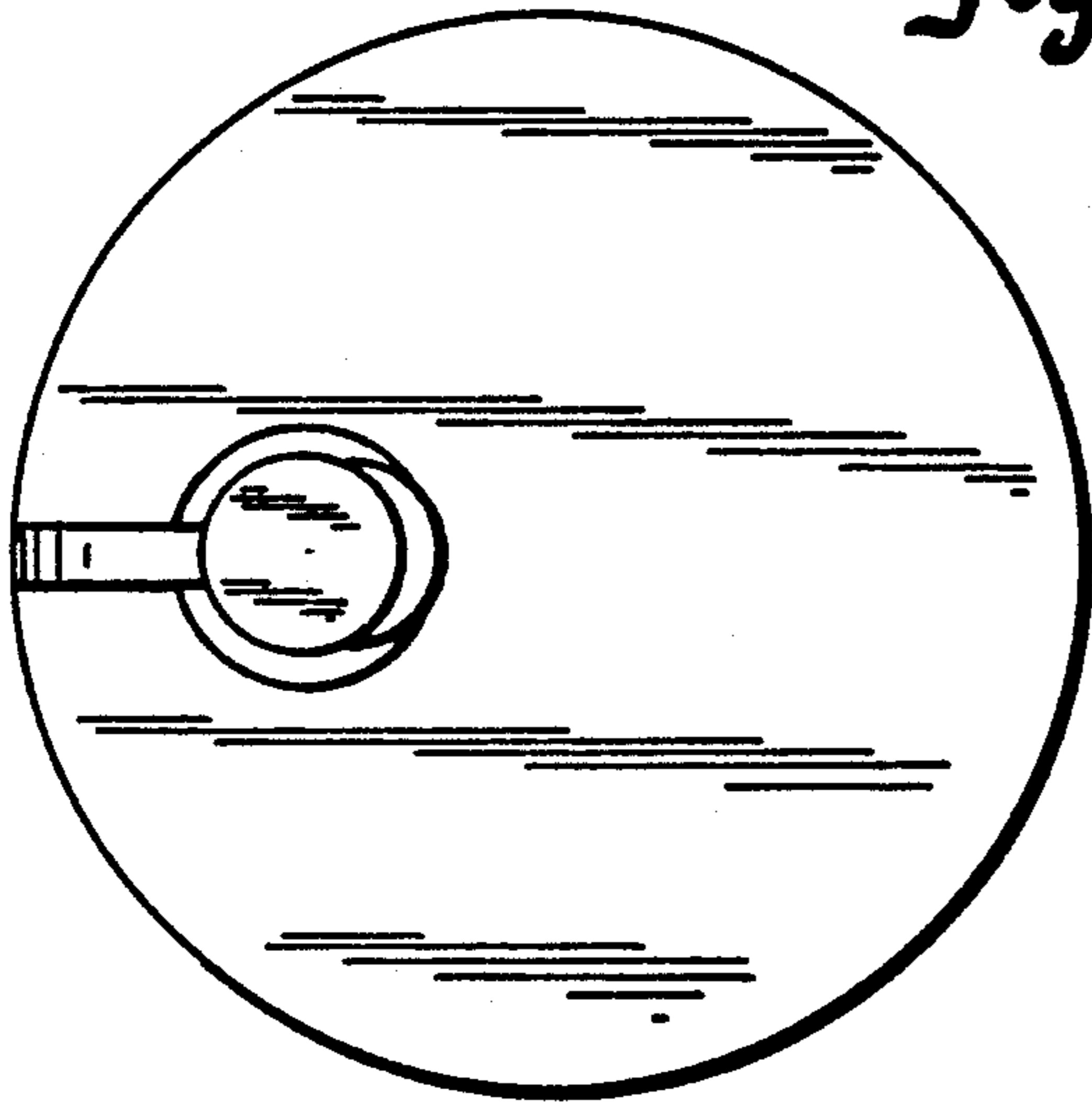


*Fig. 3*

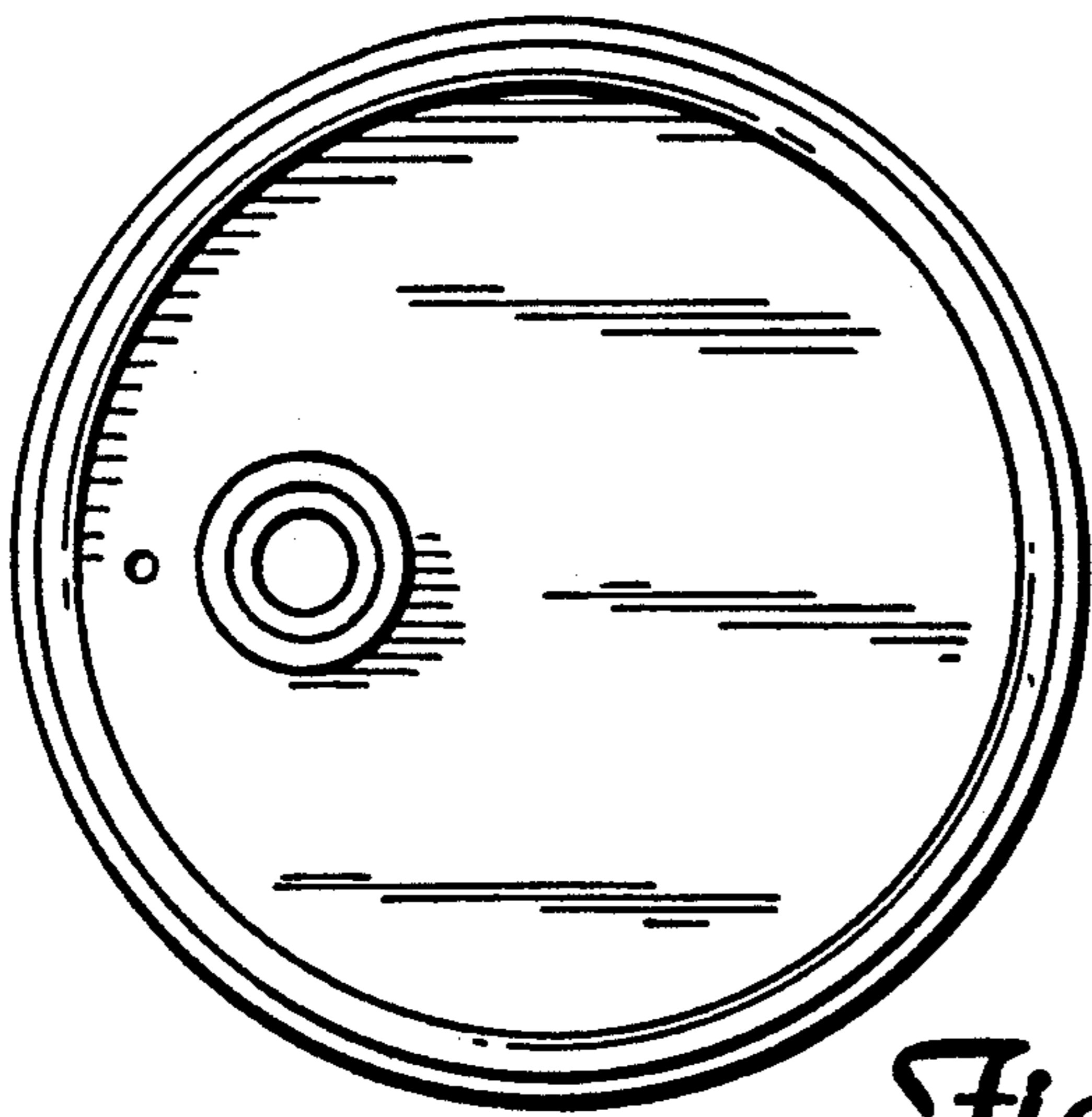


*Fig. 4*

*Fig. 5*



*Fig. 7*



*Fig. 6*