

United States Patent [19]

Williams

[11] Patent Number: **Des. 318,412**

[45] Date of Patent: **** Jul. 23, 1991**

[54] **GROMMET**

[75] Inventor: **Herbert D. Williams, Morrilton, Ark.**

[73] Assignee: **Morrilton Plastics Products, Inc.,
Auburn Hills, Mich.**

[**] Term: **14 Years**

[21] Appl. No.: **25,868**

[22] Filed: **Mar. 16, 1987**

[52] U.S. Cl. **D8/356**

[58] Field of Search **D8/356, 349, 354, 382;
24/713.1, 713.6; 248/56; 16/2**

[56] **References Cited**

U.S. PATENT DOCUMENTS

3,162,411 12/1964 Duggan 248/56

3,424,857 6/1967 Miller et al. 16/2

FOREIGN PATENT DOCUMENTS

0473199 5/1975 Australia 248/56

Primary Examiner—James M. Gandy

Assistant Examiner—Melody N. Brown

Attorney, Agent, or Firm—Dykema Gossett

[57] **CLAIM**

The ornamental design for a grommet, as shown.

DESCRIPTION

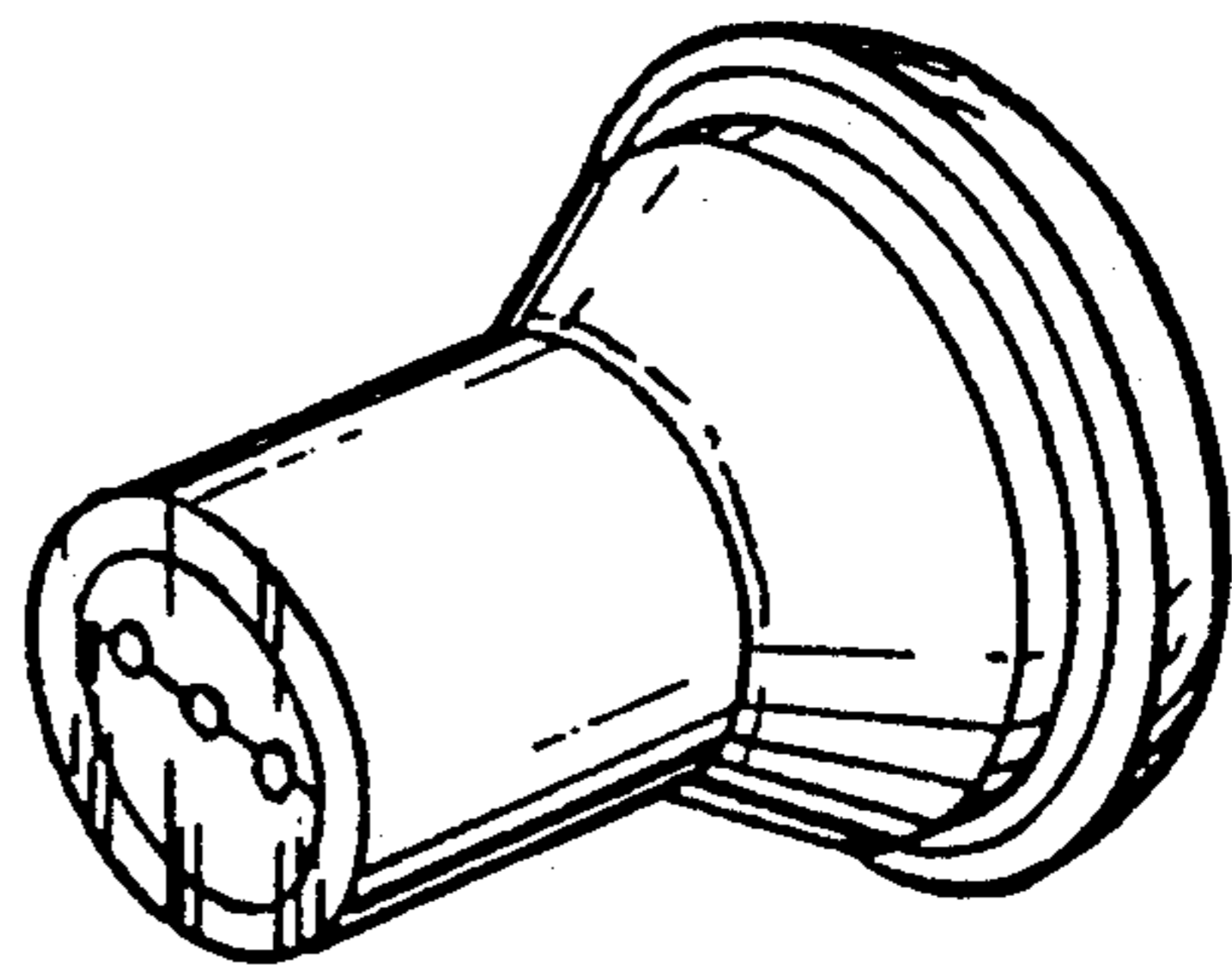
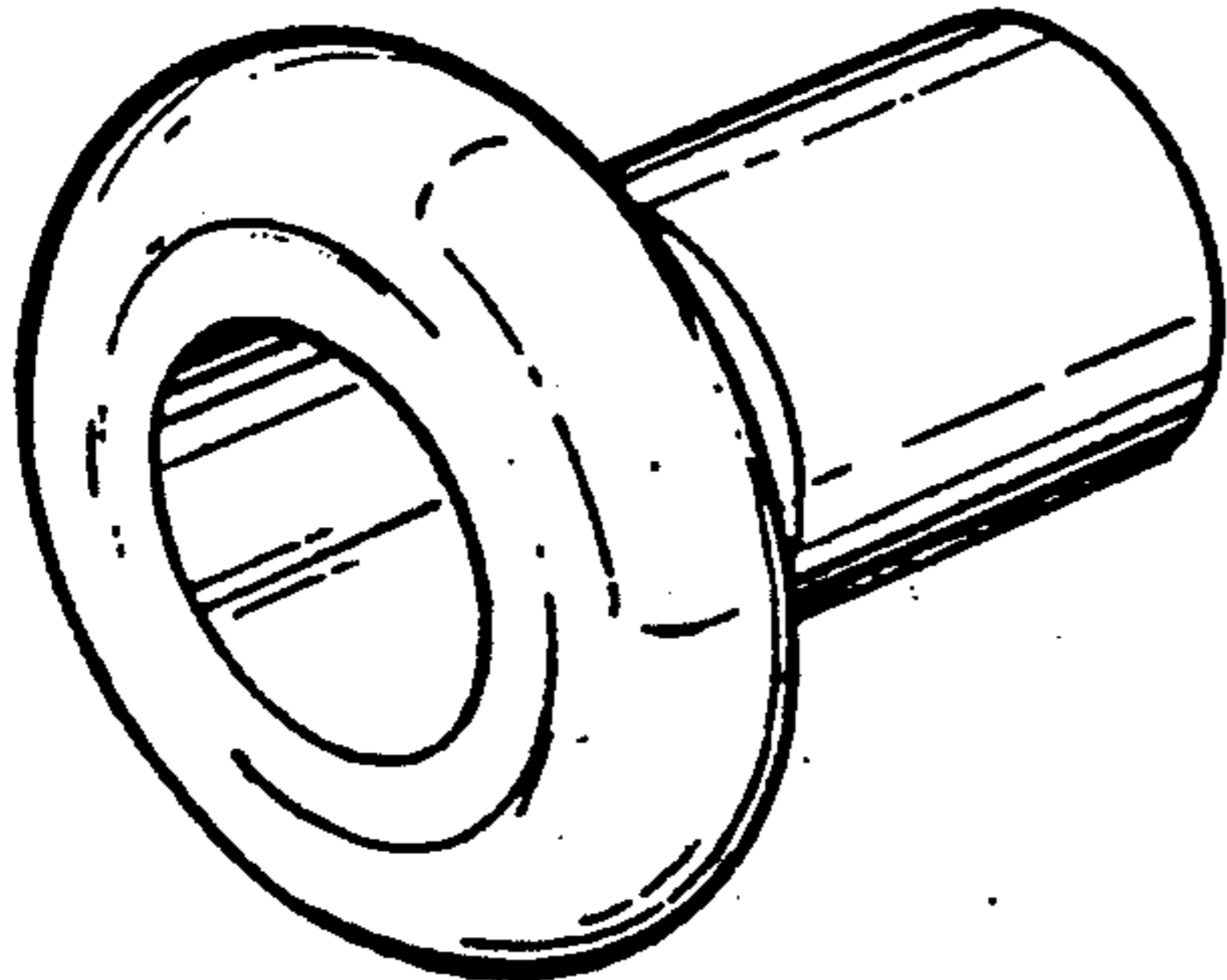
FIG. 1 is a front perspective view of a grommet showing my new design.

FIG. 2 is a rear perspective view thereof.

FIG. 3 is a left end elevation view thereof.

FIG. 4 is a side elevation view thereof.

FIG. 5 is a right end elevation view thereof.



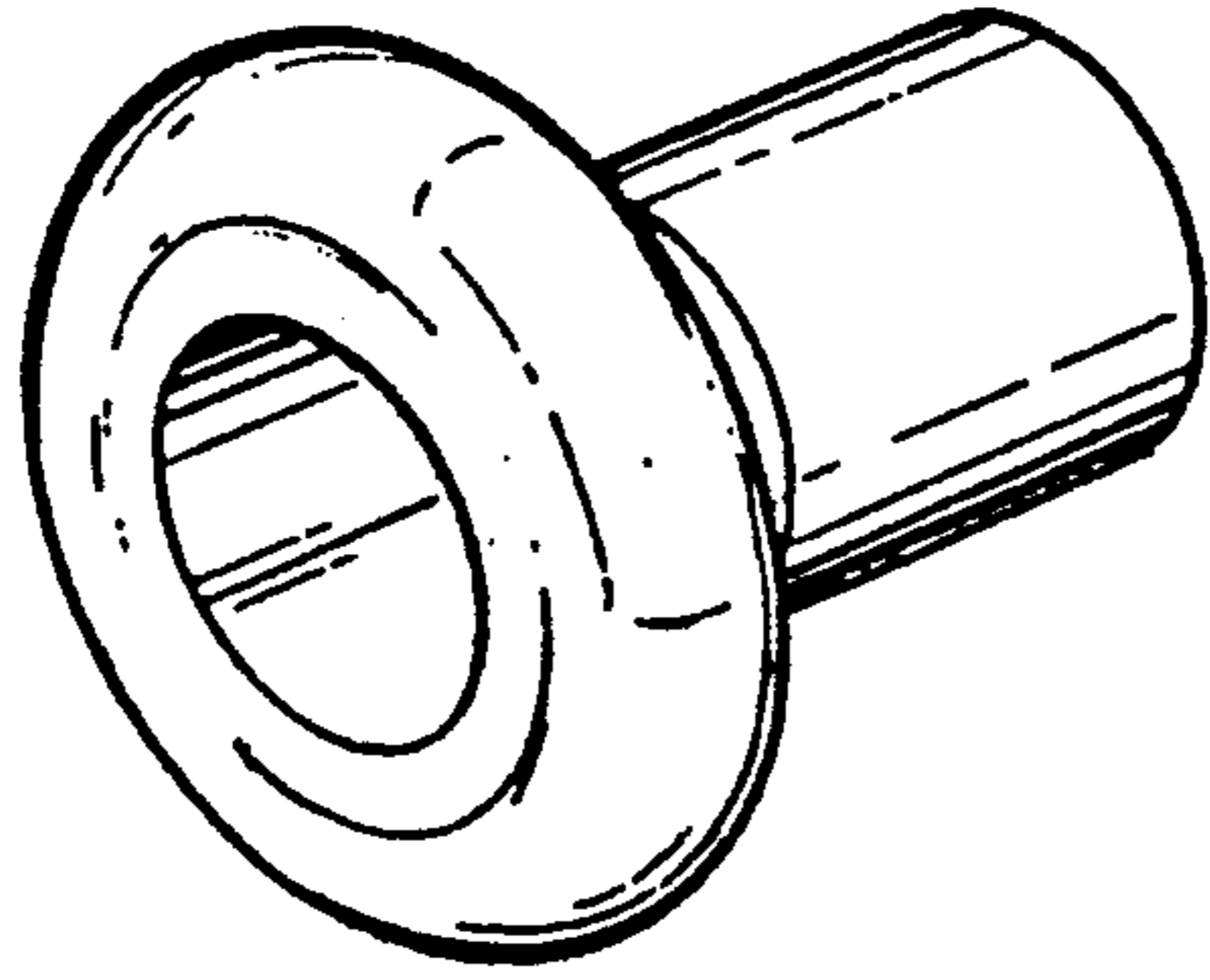


Fig-1

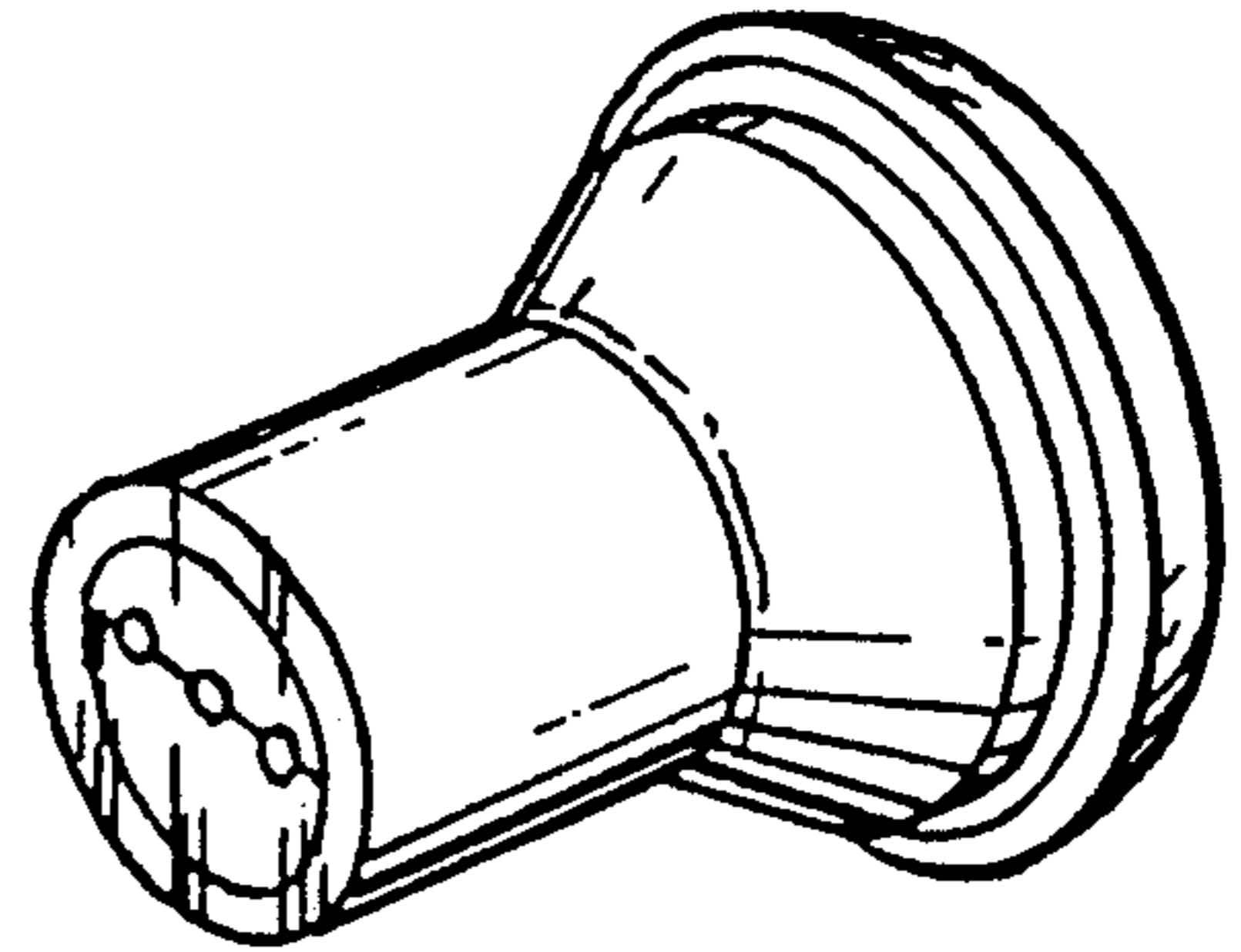


Fig-2

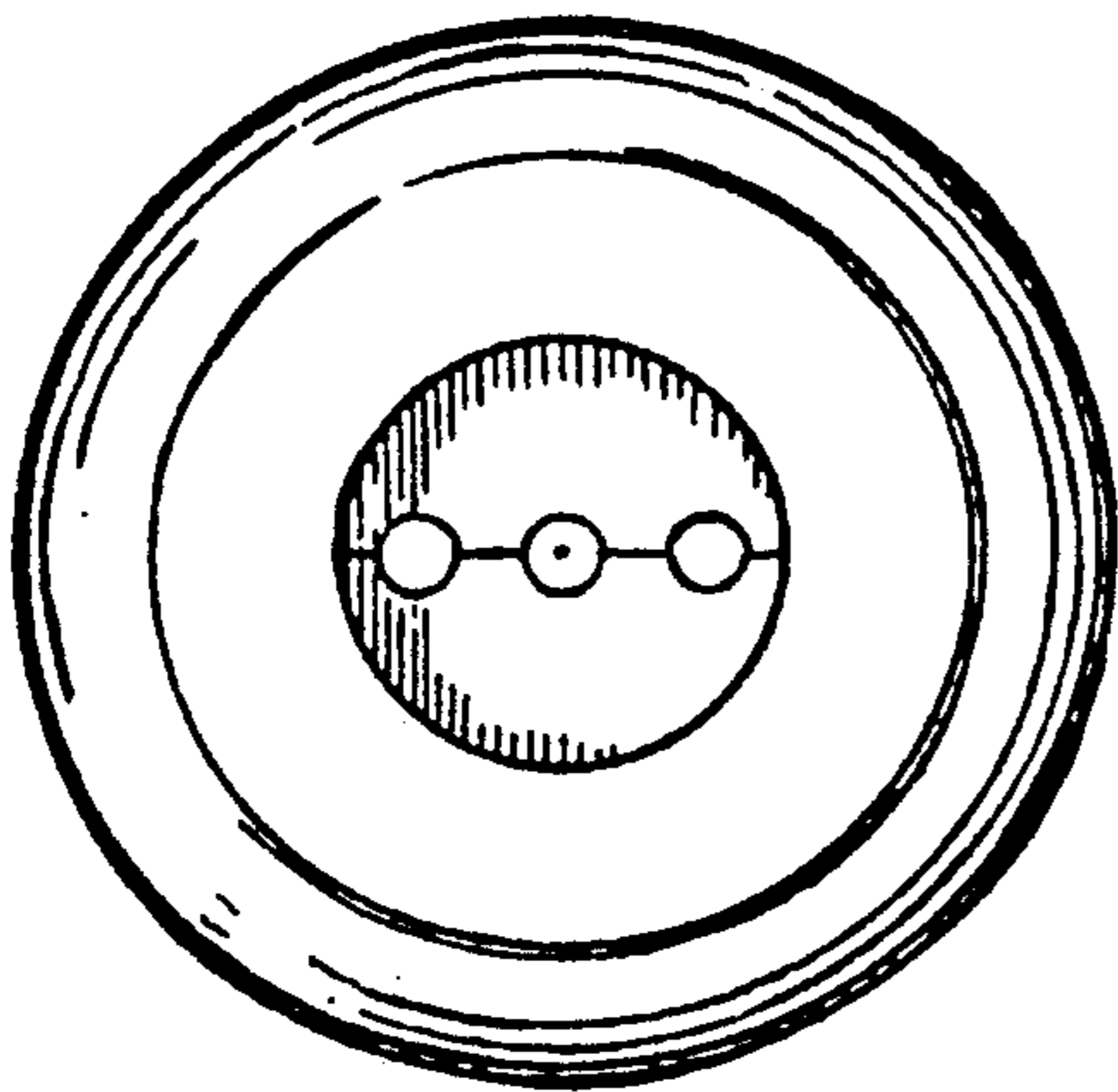


Fig-3

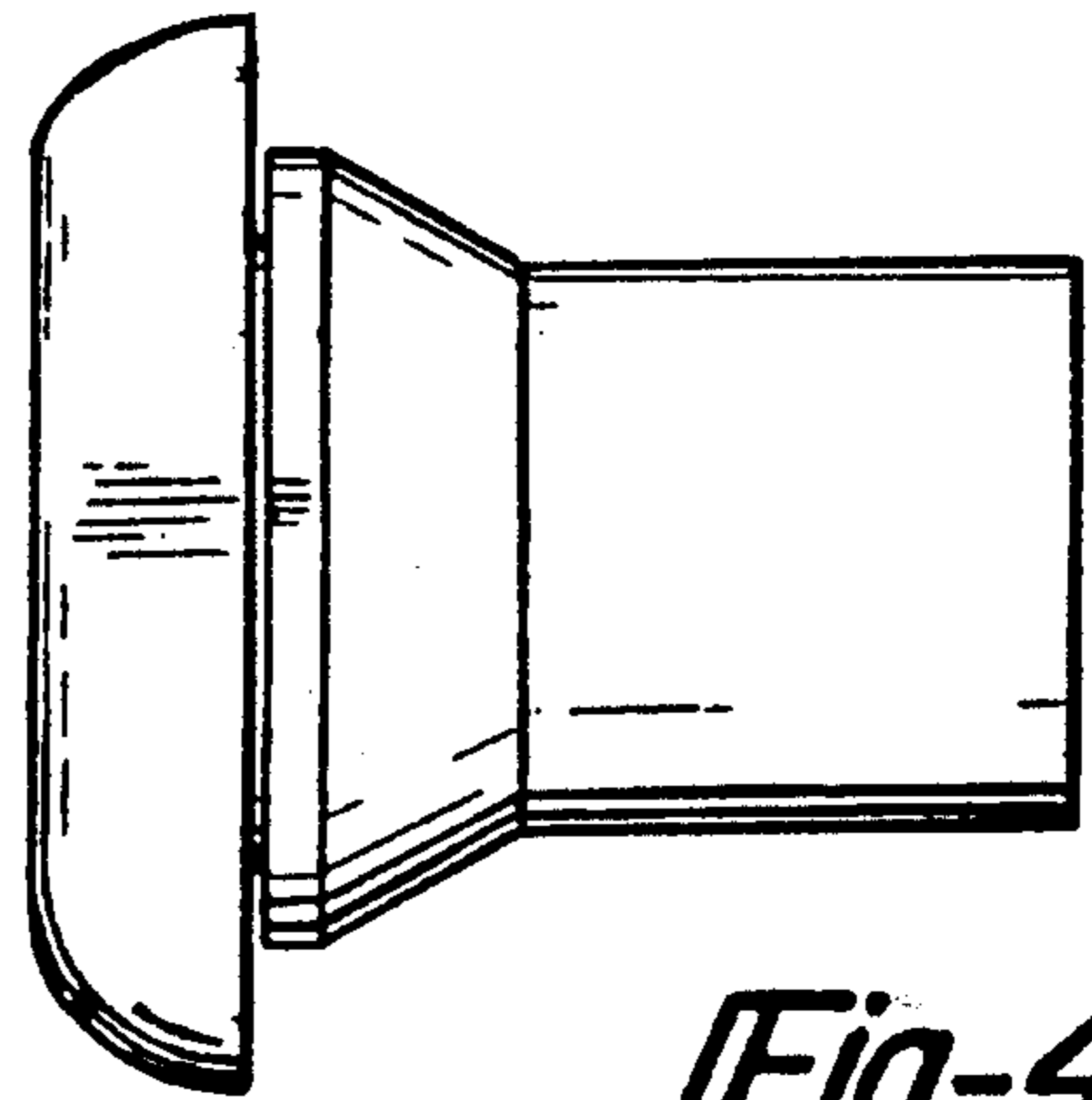


Fig-4

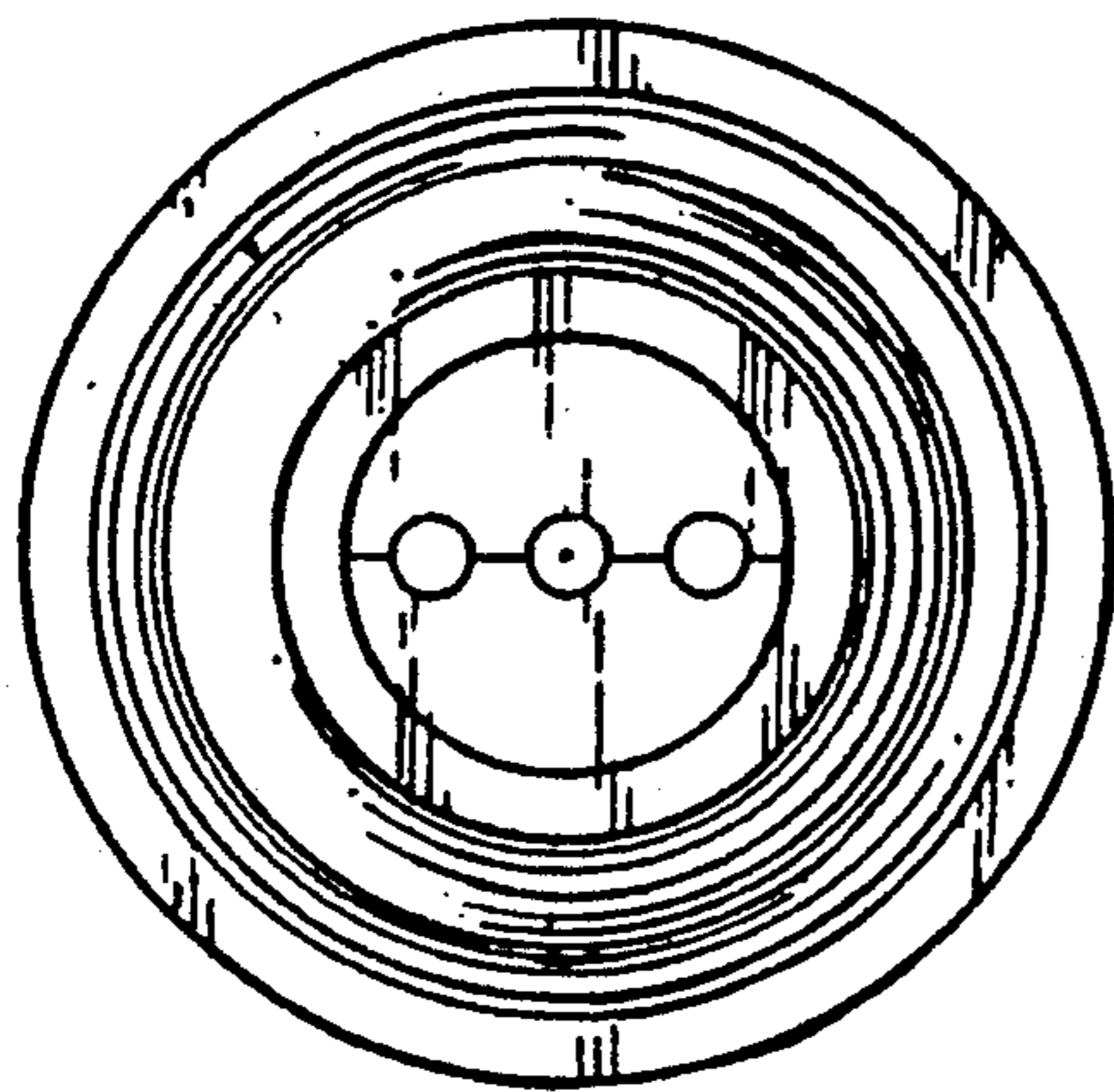


Fig-5