

[54] PROTECTIVE SHIELD FOR LATCH LOCK ASSEMBLY

[76] Inventor: John L. McKernan, 32 Province St., Boston, Mass. 02108

[\*\*] Term: 14 Years

[21] Appl. No.: 259,613

[22] Filed: Oct. 19, 1988

[52] U.S. Cl. .... D8/346

[58] Field of Search ..... D8/330-331, D8/346; 70/158, 416-418; 292/169.13, 169.14, 169.23

[56] References Cited

U.S. PATENT DOCUMENTS

1,705,363	3/1929	Heyer	70/418
1,950,723	3/1934	Fitzgerald	70/418 X
4,248,068	2/1981	Esser et al.	70/418 X
4,466,264	8/1984	del Nero	70/417

OTHER PUBLICATIONS

"Doors and Windows", p. 103, door lock assembly.

Primary Examiner—Wallace R. Burke

Assistant Examiner—Brian N. Vinson

Attorney, Agent, or Firm—Samuels, Gauthier & Stevens

[57] CLAIM

The ornamental design for a protective shield for latch lock assembly, as shown and described.

DESCRIPTION

FIG. 1 is a perspective view of a protective shield for latch lock assembly showing my new design, the broken-line depiction of the deadbolt assembly shown removed from the shield is for illustrative purposes only and forms no part of the claimed design;

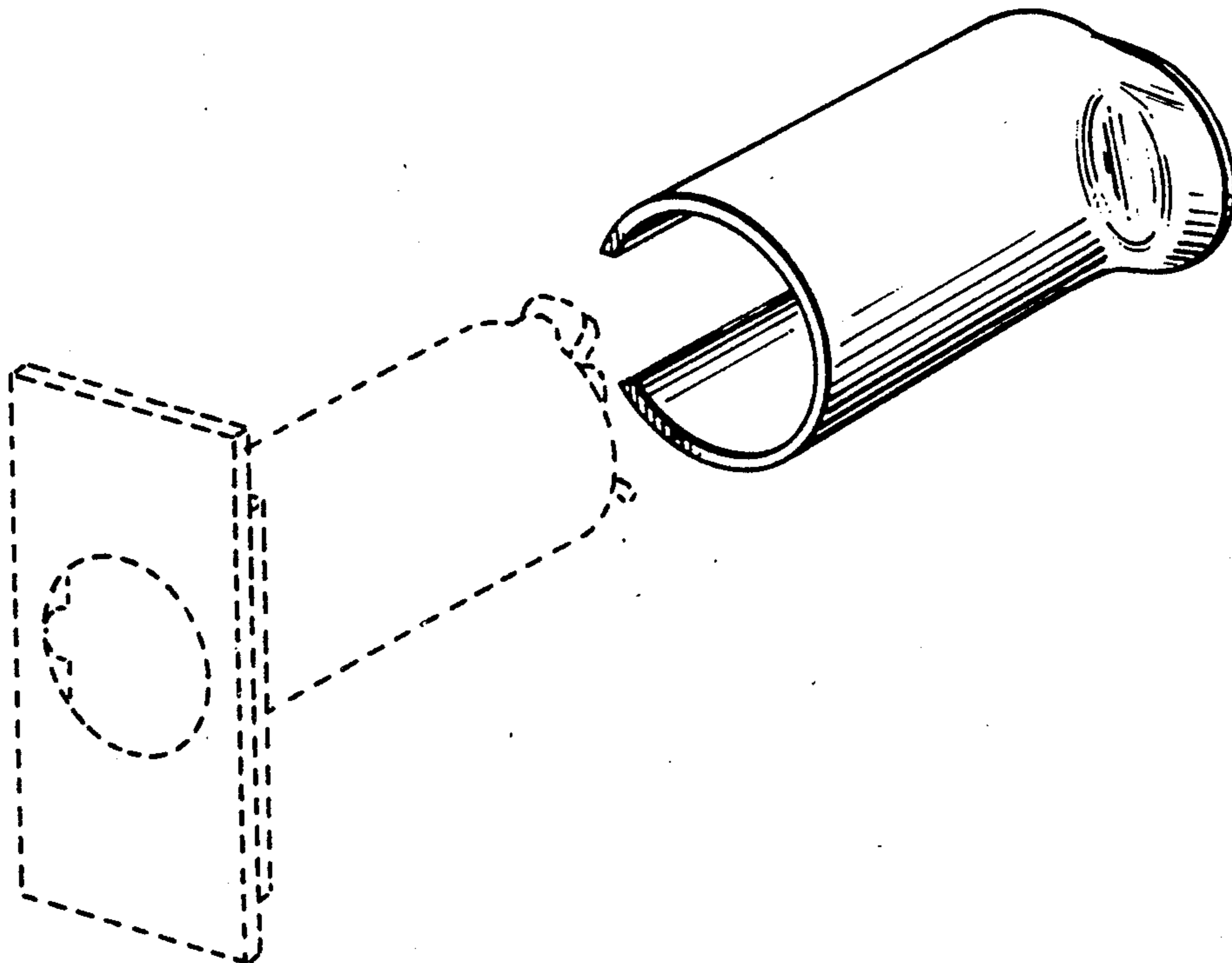
FIG. 2 is a side elevational view thereof;

FIG. 3 is an opposite side elevational view thereof;

FIG. 4 is a top plan view thereof, the bottom being a mirror image of that shown;

FIG. 5 is an end elevational view thereof; and

FIG. 6 is an opposite end elevational view thereof.



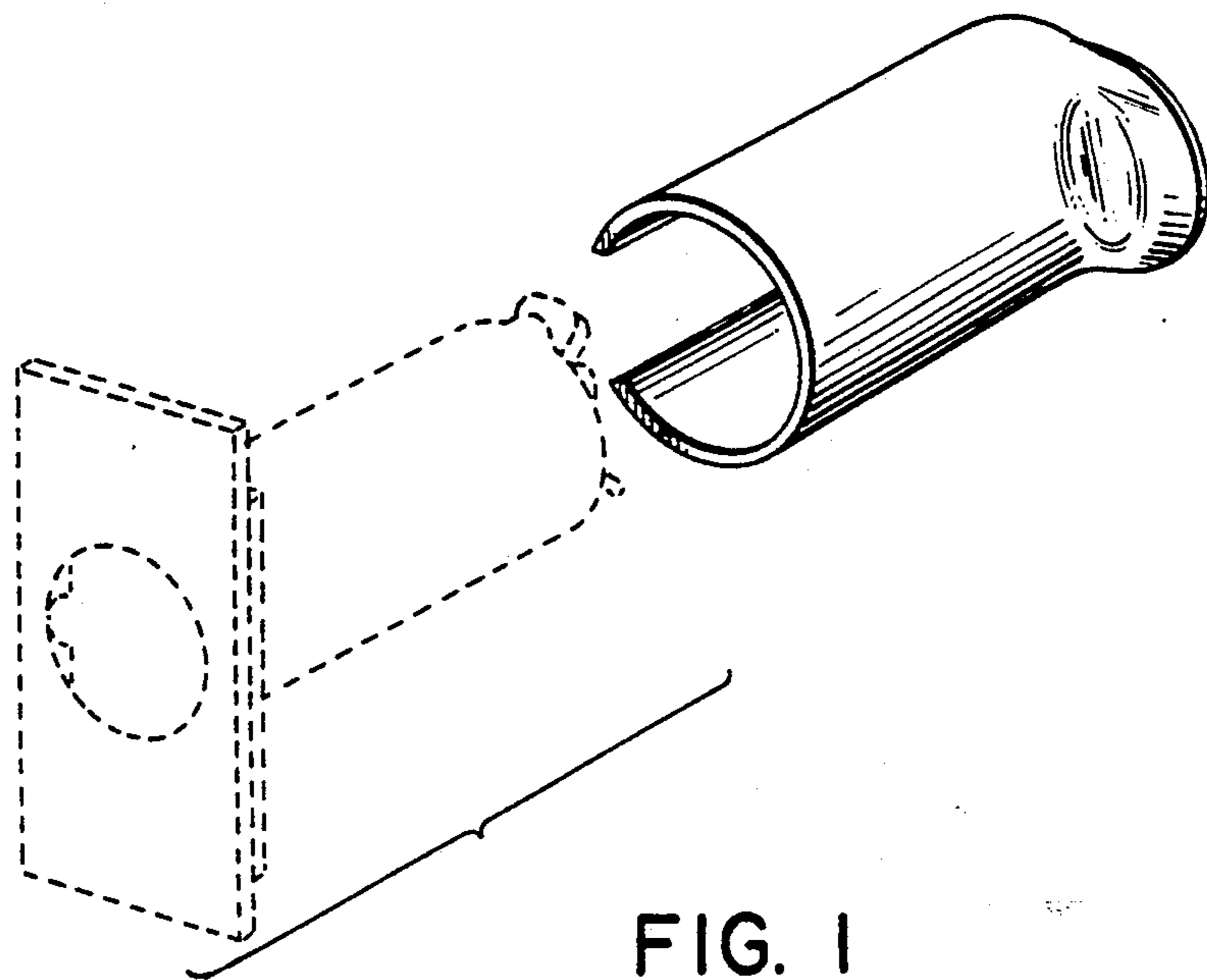


FIG. 1

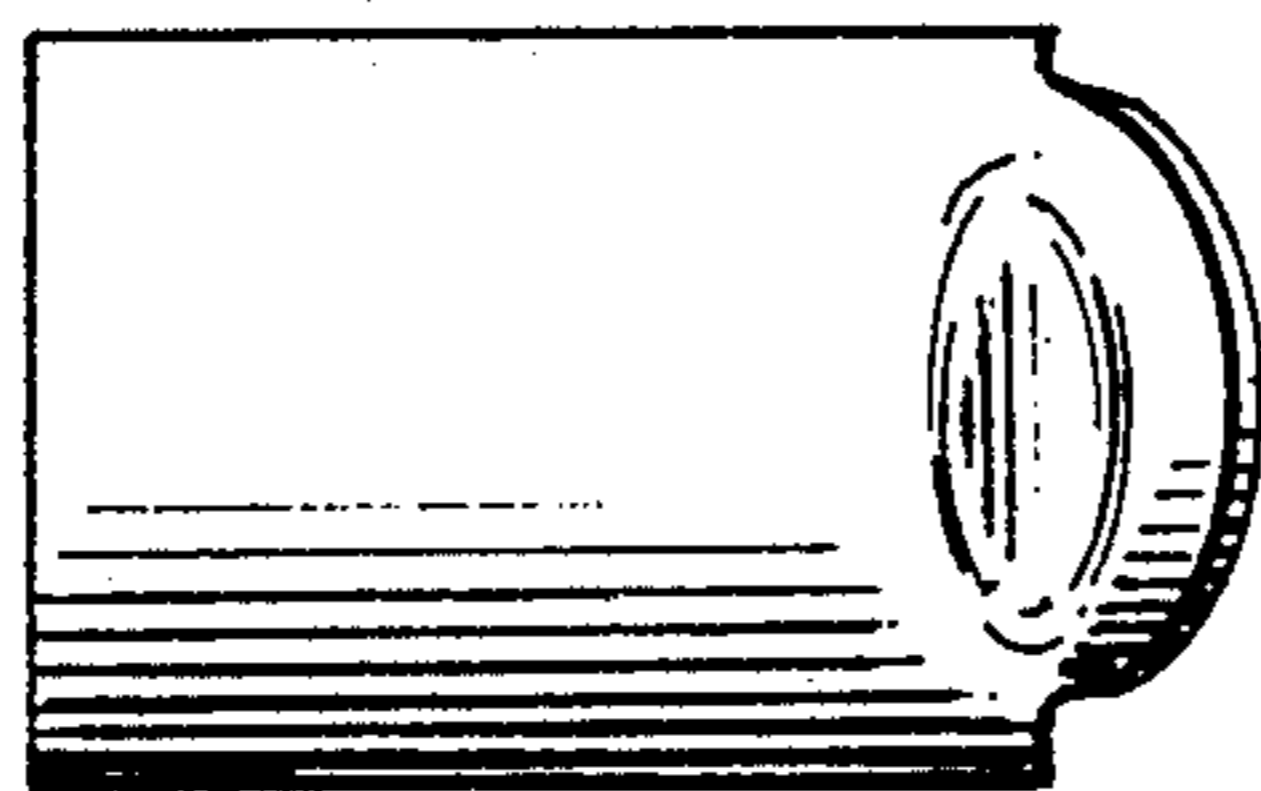


FIG. 2

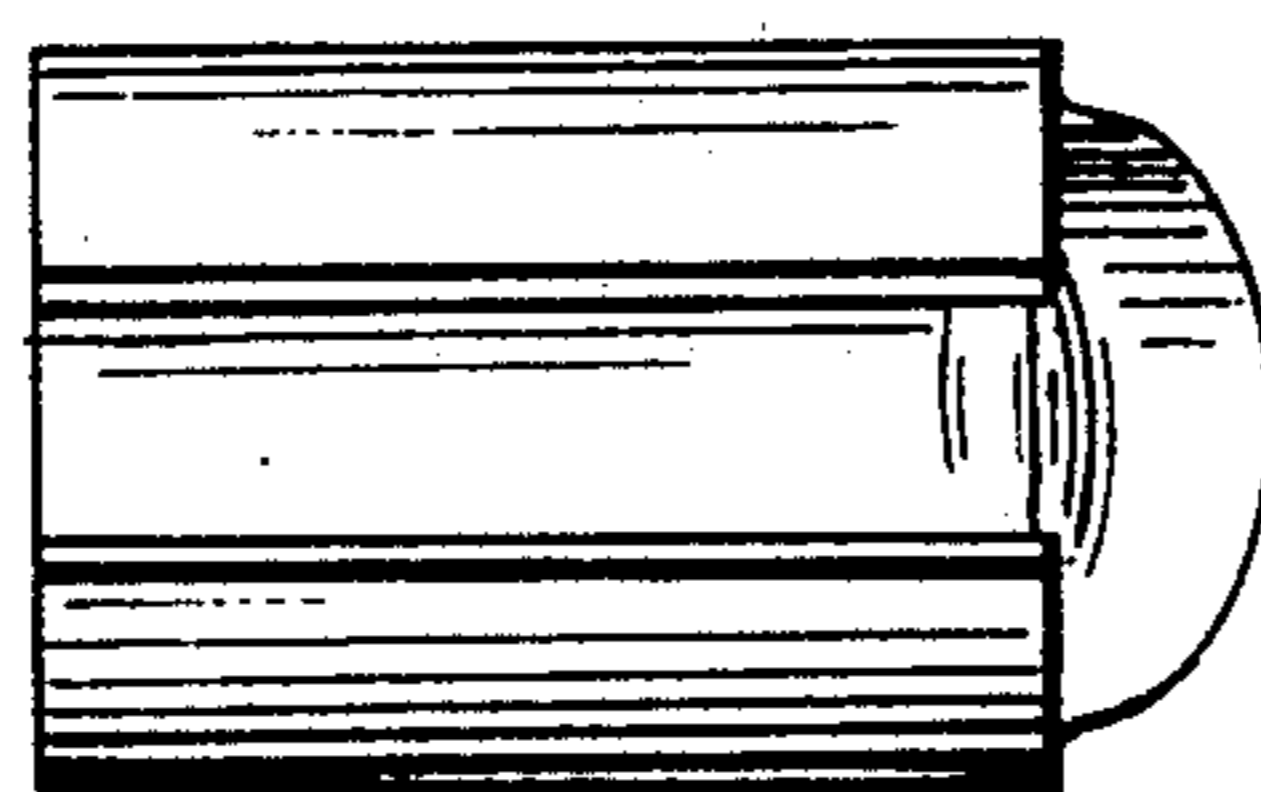


FIG. 3

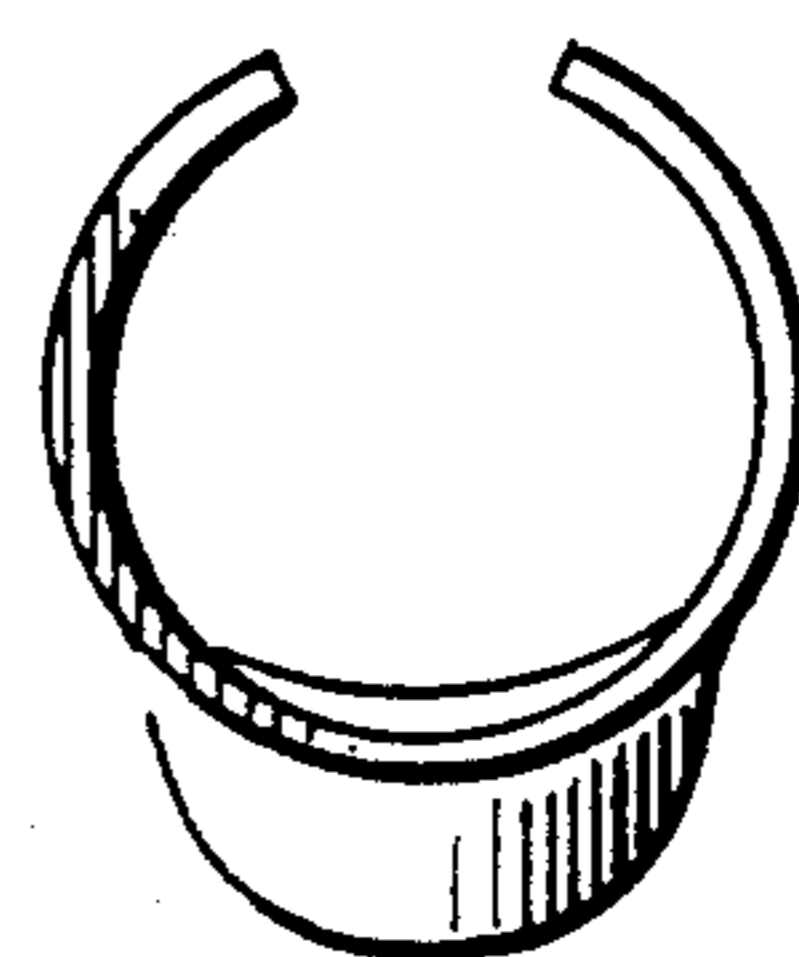


FIG. 6

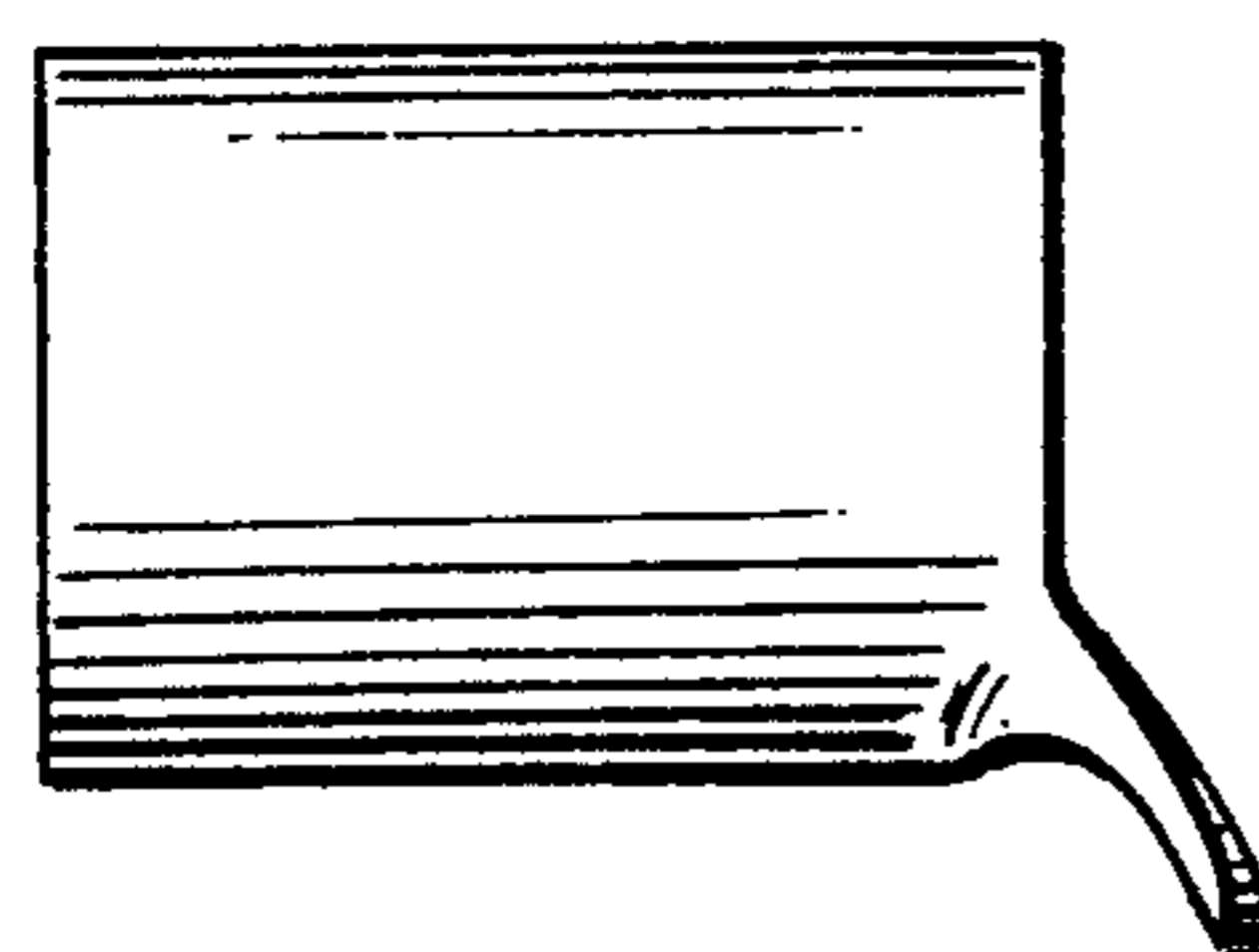


FIG. 4

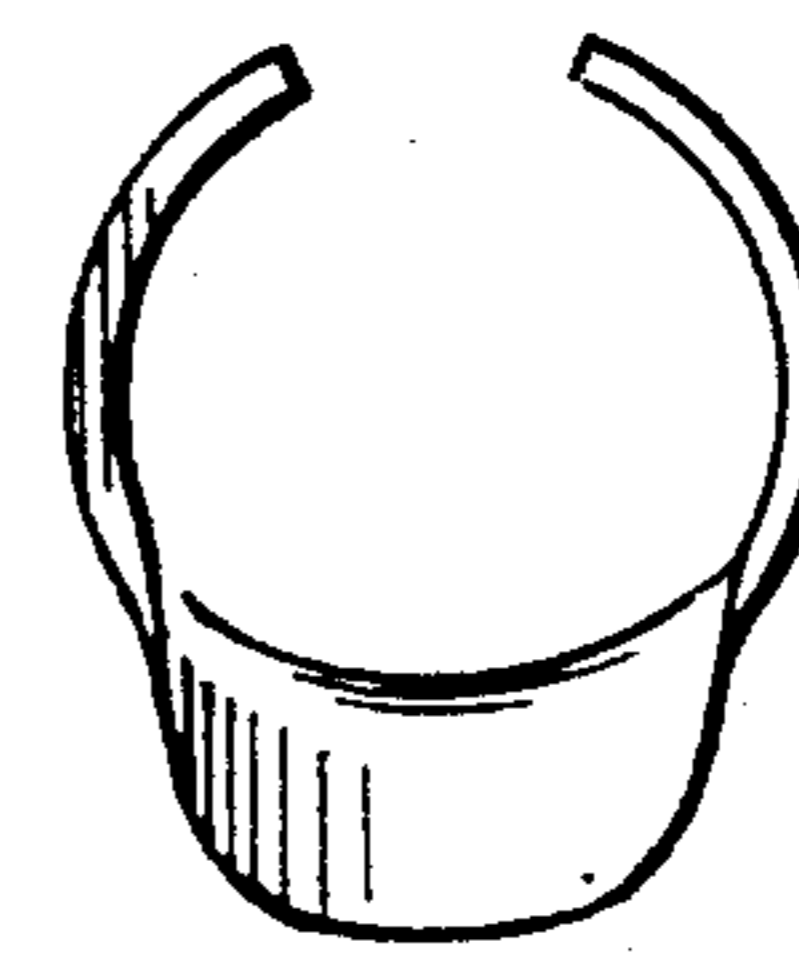


FIG. 5