

[54] EXIT OPERATOR

[75] Inventor: James E. Mohn, Roswell, Ga.

[73] Assignee: Yale Security Inc., Monroe, N.C.

[\*] Notice: The portion of the term of this patent subsequent to Sep. 27, 2002 has been disclaimed.

[\*\*] Term: 14 Years

[21] Appl. No.: 246,649

[22] Filed: Sep. 20, 1988

[52] U.S. Cl. .... D8/302

[58] Field of Search ..... D8/300, 302; 70/92; 292/92

[56] References Cited

U.S. PATENT DOCUMENTS

D. 268,003	2/1983	Ohno	.....	D8/302
D. 281,573	12/1985	Miller	.....	D8/302
D. 297,806	9/1988	Mohn	.....	D8/302
3,663,047	5/1972	Zawadzki	.....	70/92

4,167,280	9/1979	Godec et al.	.....	70/92
4,624,490	11/1986	Miller	.....	70/92
4,801,163	1/1989	Miller	.....	292/92

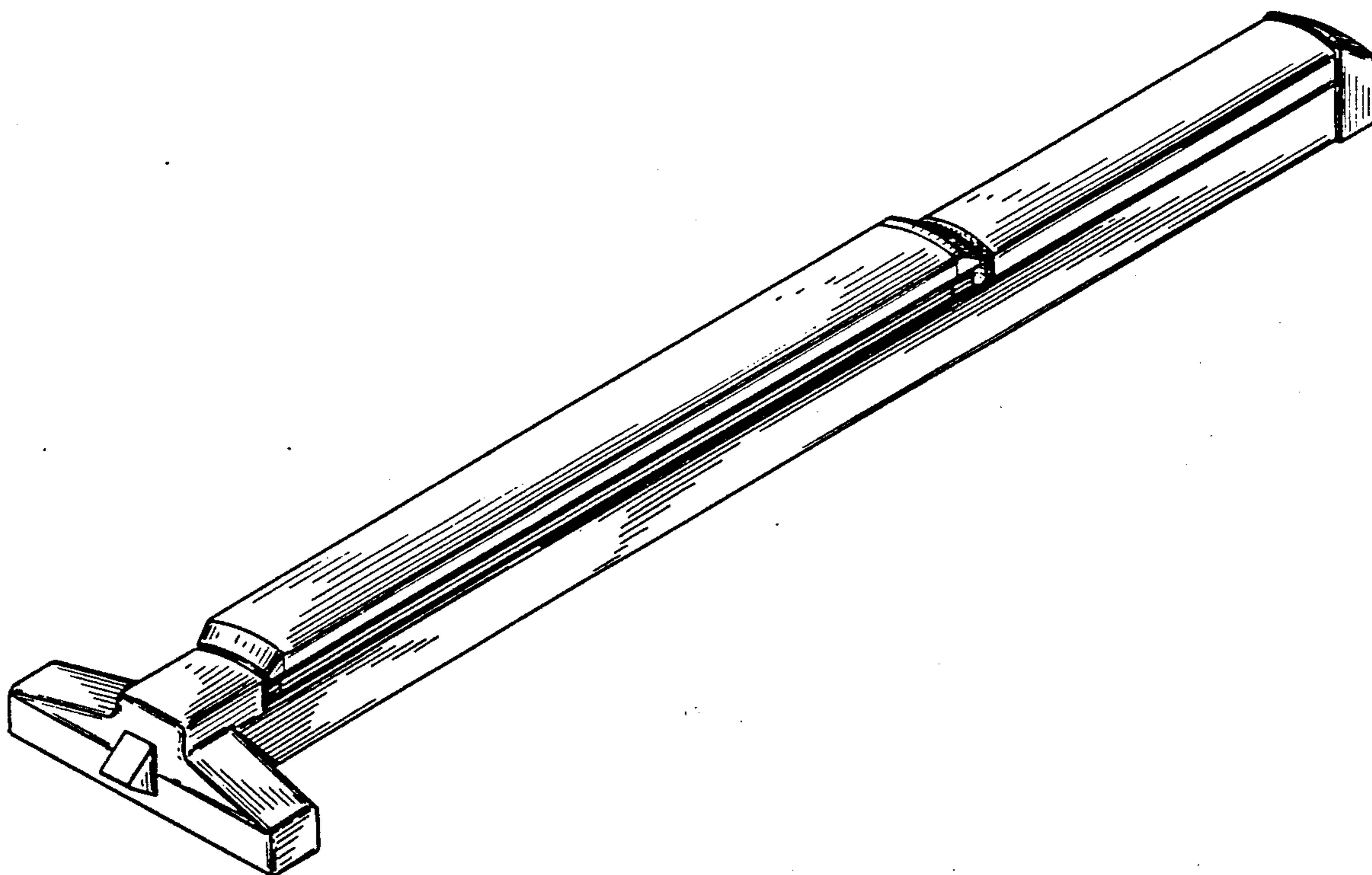
Primary Examiner—B. J. Bullock  
Attorney, Agent, or Firm—Dallett Hoopes

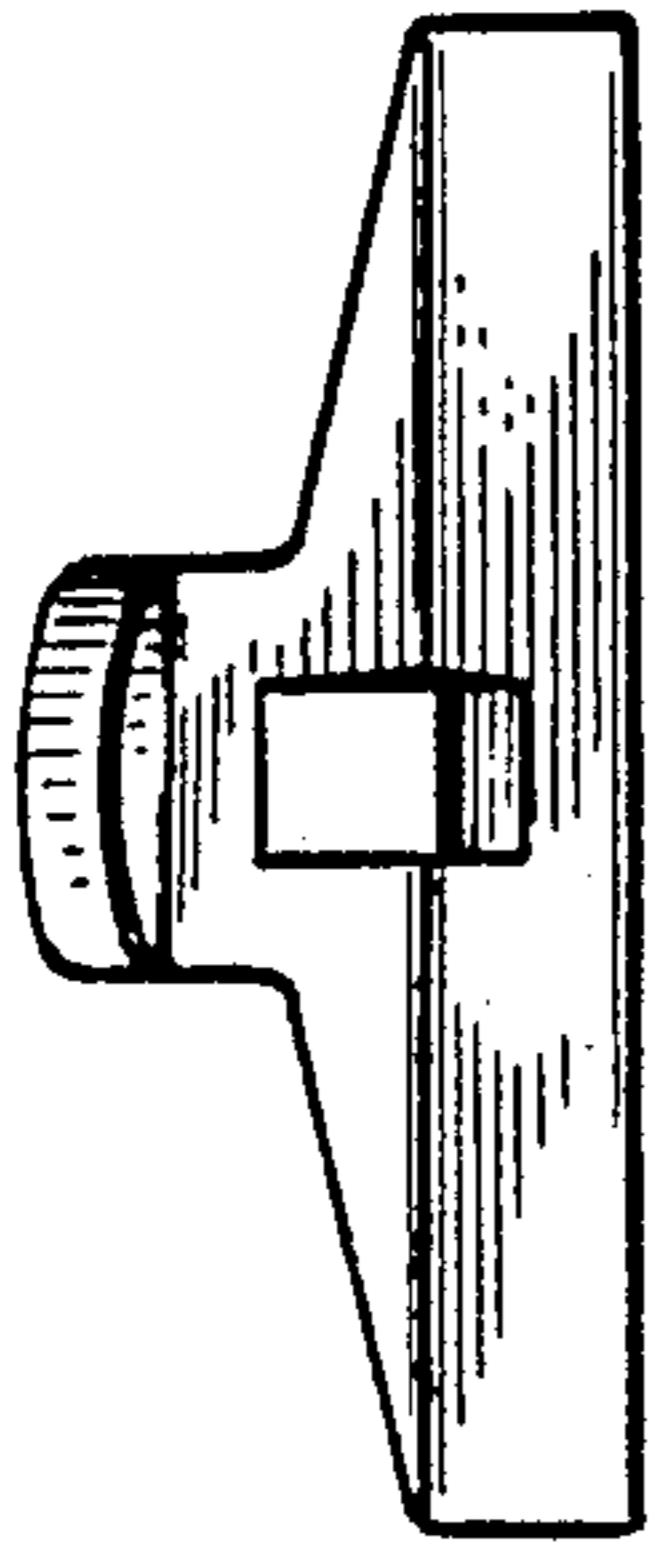
[57] CLAIM

The ornamental design for an exit operator, as shown.

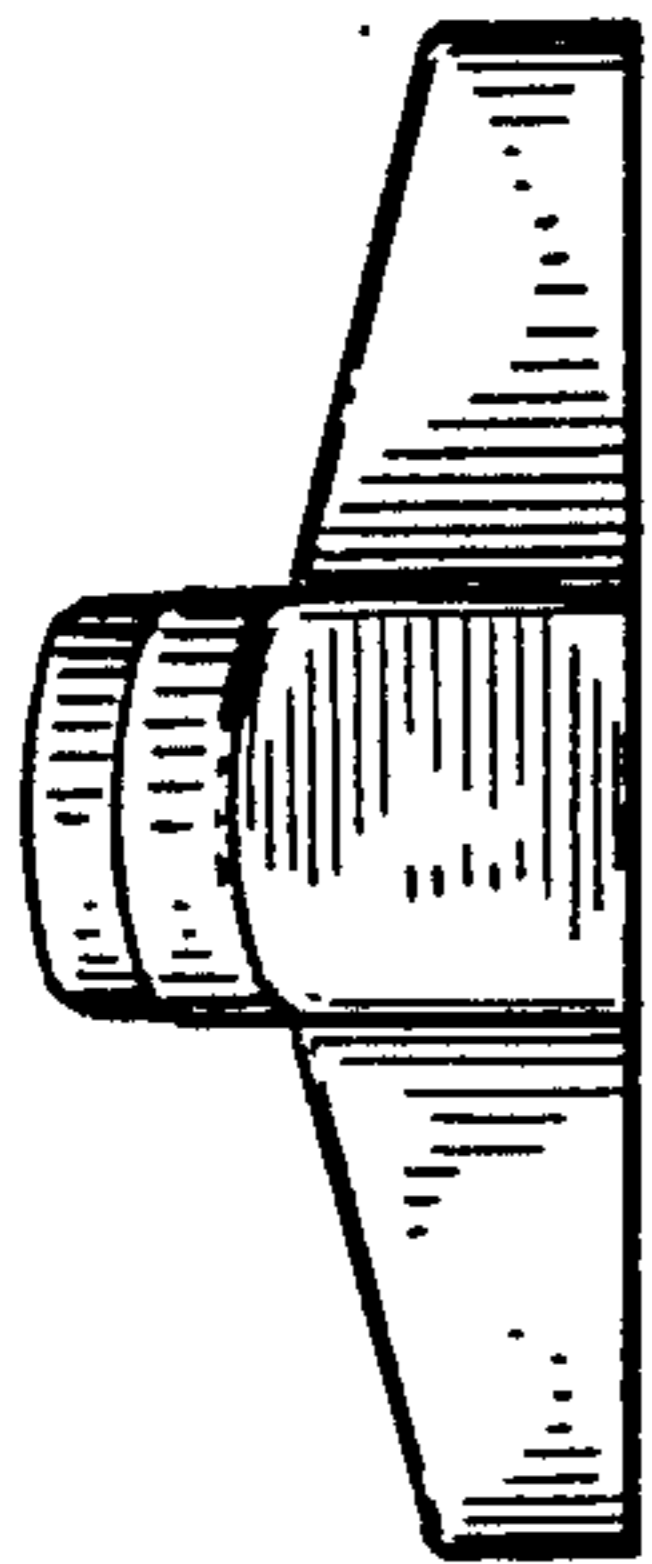
DESCRIPTION

FIG. 1 is a left, bottom and front perspective view of an exit operator showing my new design;  
FIG. 2 is a left side elevational view thereof;  
FIG. 3 is a right side elevational view thereof;  
FIG. 4 is a front elevational view thereof;  
FIG. 5 is a bottom plan view thereof, the top being a mirror image;  
FIG. 6 is a rear elevational view thereof;  
FIG. 7 is an enlarged sectional view taken on the line 7—7 of FIG. 5; and  
FIG. 8 is an enlarged sectional view taken on the line 8—8 of FIG. 5.

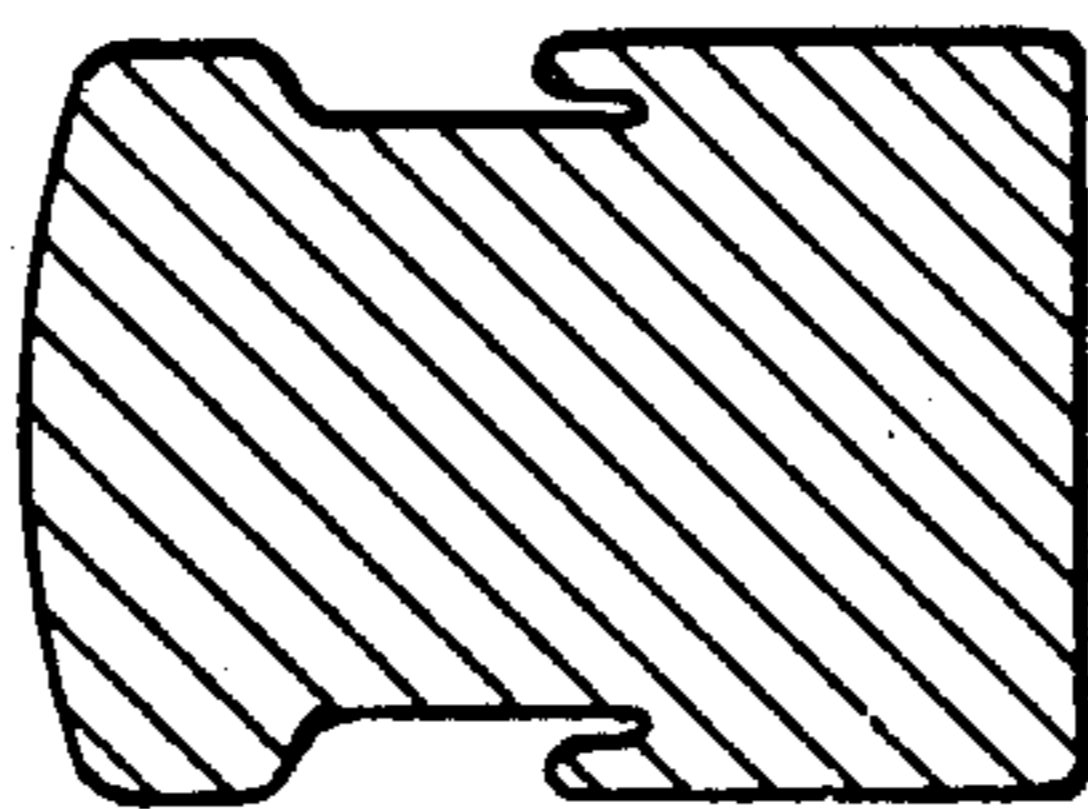




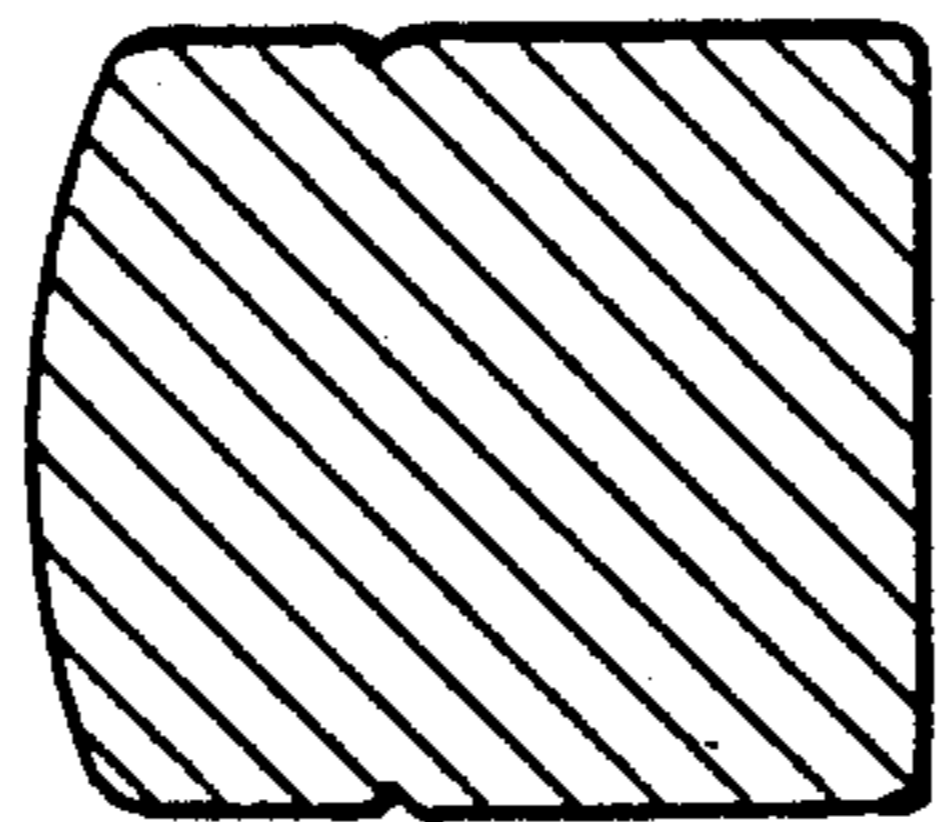
*Fig. 2*



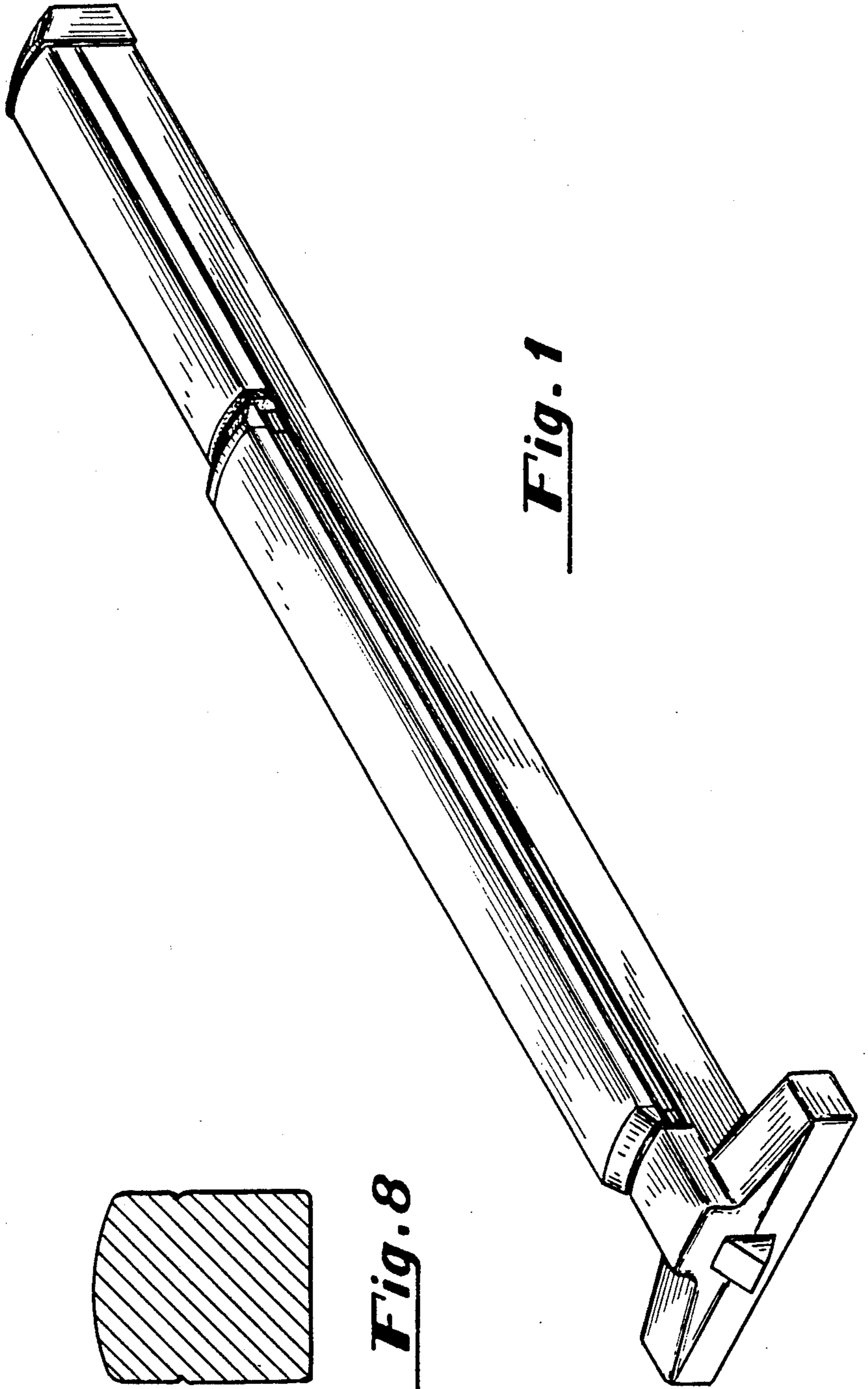
*Fig. 3*



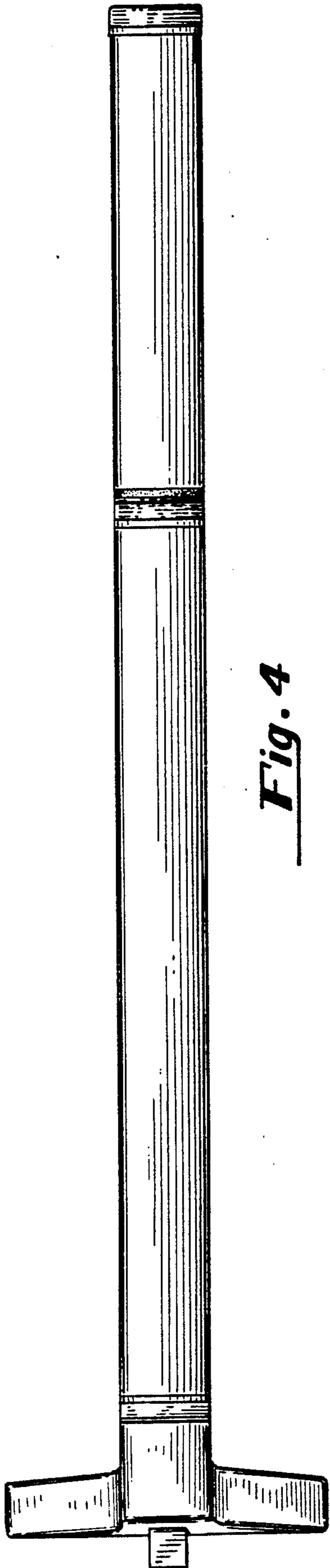
*Fig. 7*



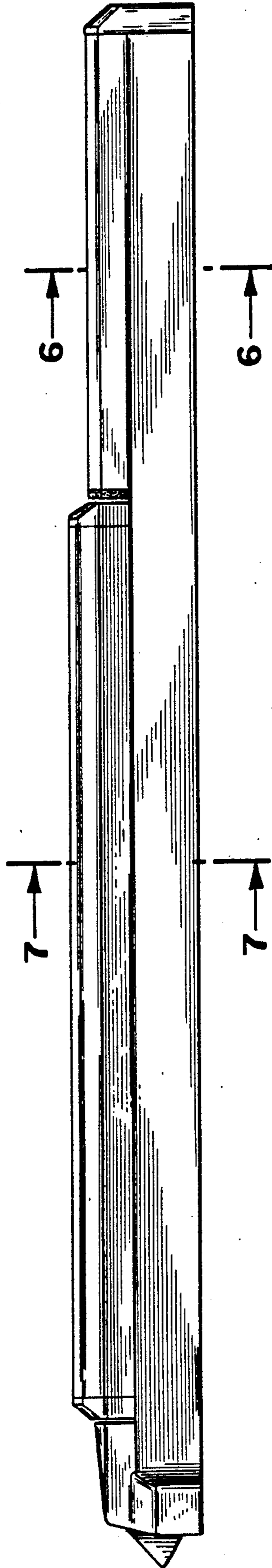
*Fig. 8*



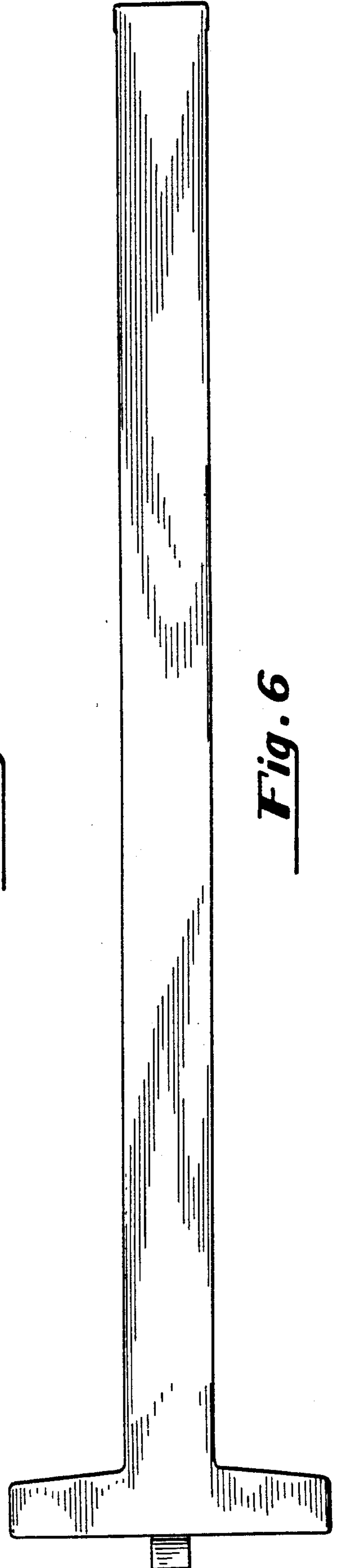
*Fig. 1*



*Fig. 4*



*Fig. 5*



*Fig. 6*