

[54] VEGETABLE AND FRUIT JUICE EXTRACTOR

[75] Inventor: Jean-Louis Barrault, Boulogne-Billancourt, France

[73] Assignee: Moulinex (Societe Anonyme), Bagnolet, France

[**] Term: 14 Years

[21] Appl. No.: 417,247

[22] Filed: Oct. 2, 1989

[30] Foreign Application Priority Data

Apr. 7, 1989 [FR] France 89 2379

[52] U.S. Cl. D7/665

[58] Field of Search D7/665, 372-374; 99/495, 501-506

[56] References Cited

U.S. PATENT DOCUMENTS

D. 249,441 9/1978 Fukumoto et al. D7/665
3,575,223 4/1971 Hickel et al. 99/501

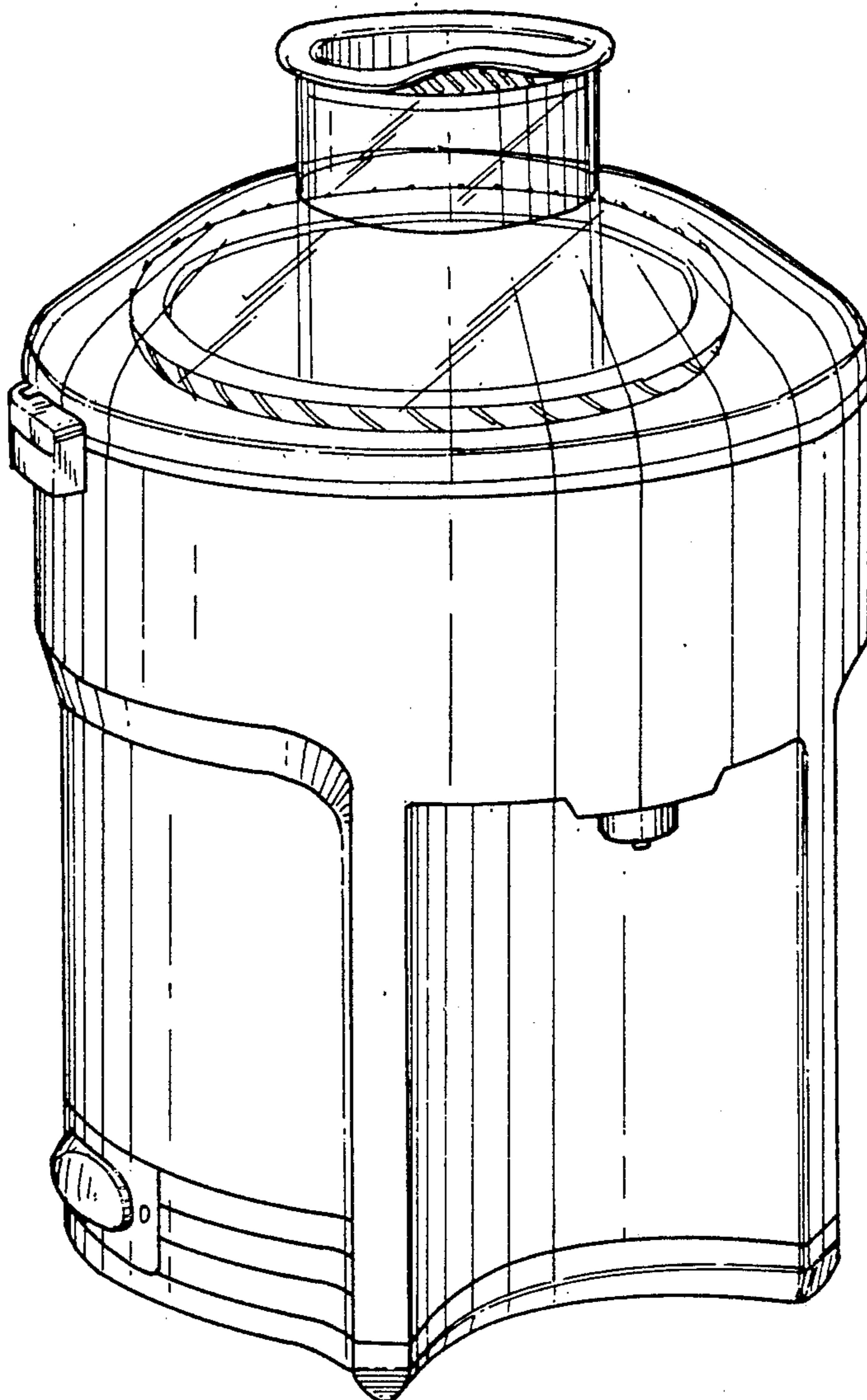
Primary Examiner—Terry A. Pfeffer
Attorney, Agent, or Firm—Young & Thompson

[57] CLAIM

The ornamental design for a vegetable and fruit juice extractor, as shown.

DESCRIPTION

FIG. 1 is a top and side perspective view of a vegetable and fruit juice extractor showing my new design; FIG. 2 is a front elevational view thereof; FIG. 3 is a right side elevational view thereof; FIG. 4 is a left side elevational view thereof; FIG. 5 is a rear elevational view thereof; FIG. 6 is a top plan view thereof; and FIG. 7 is a bottom plan view thereof.



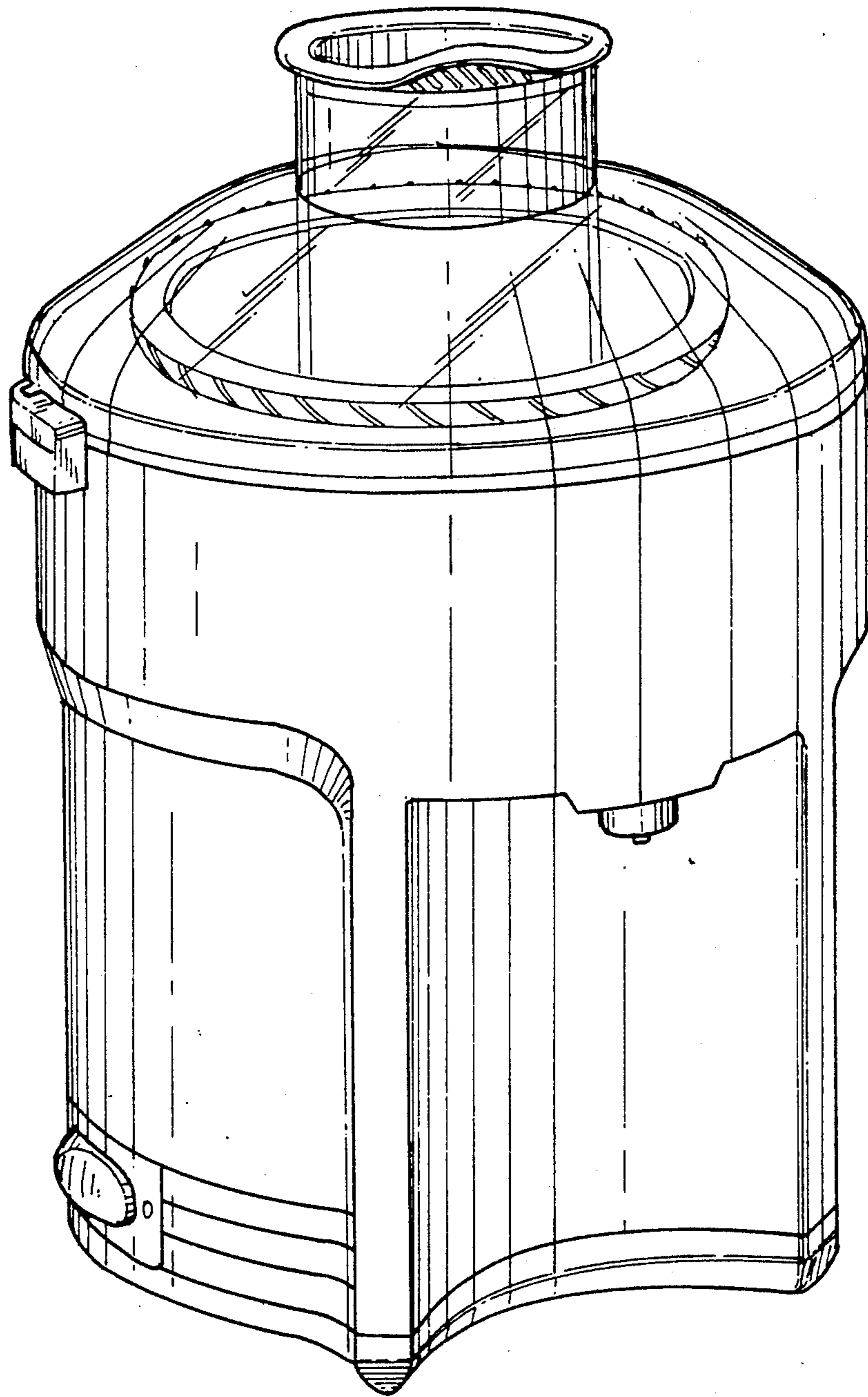


FIG. 1

FIG. 3

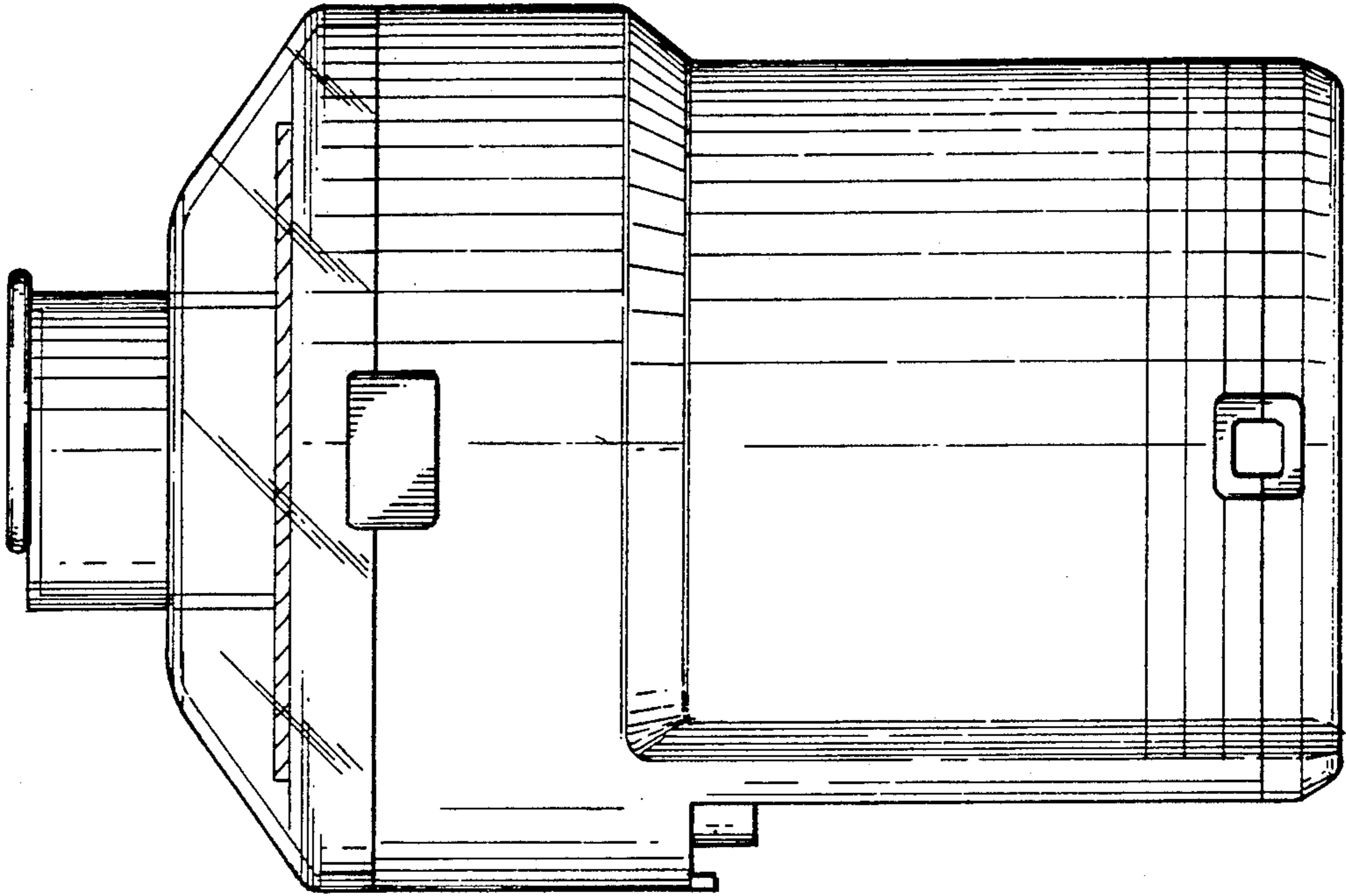


FIG. 2

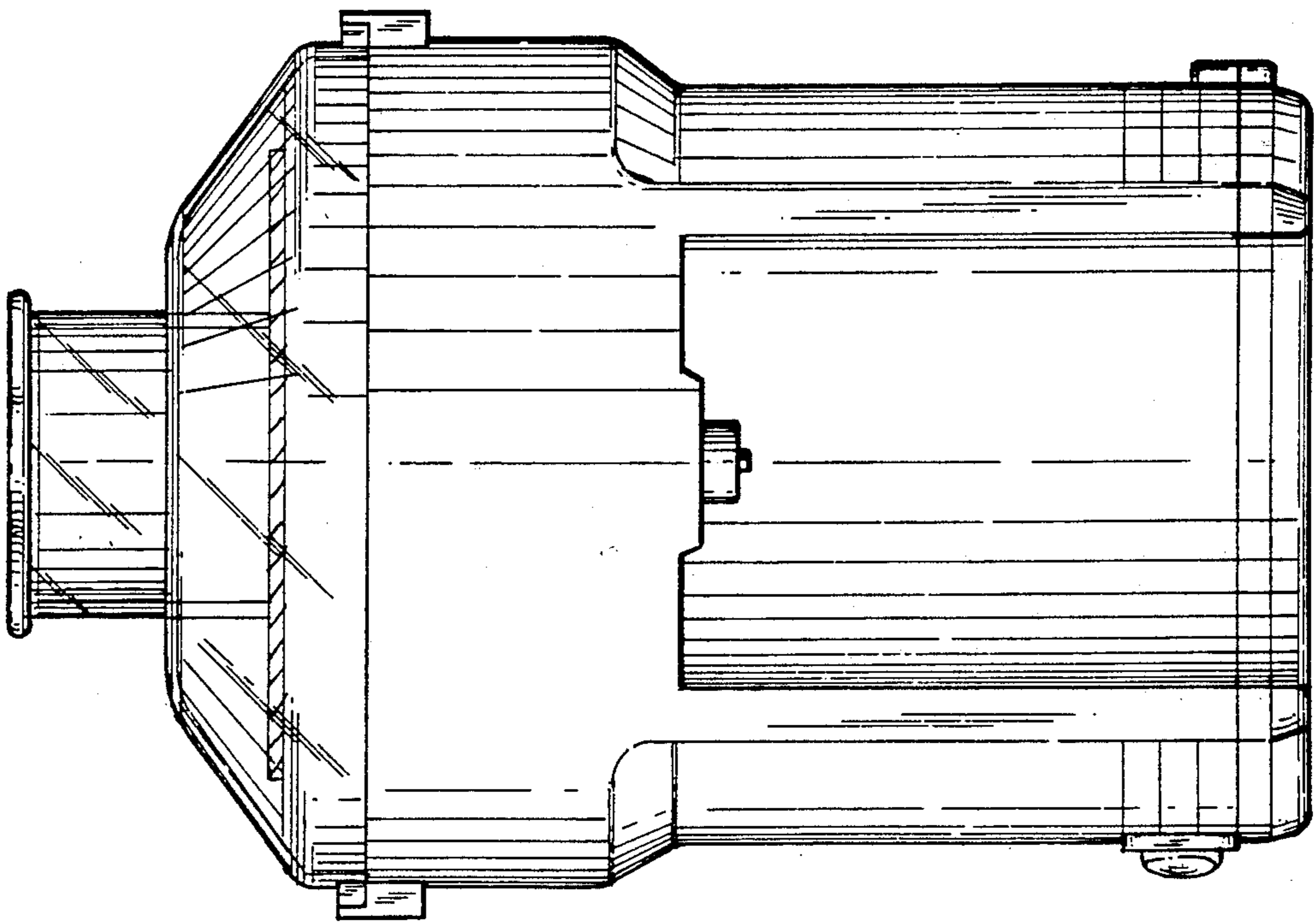


FIG. 5

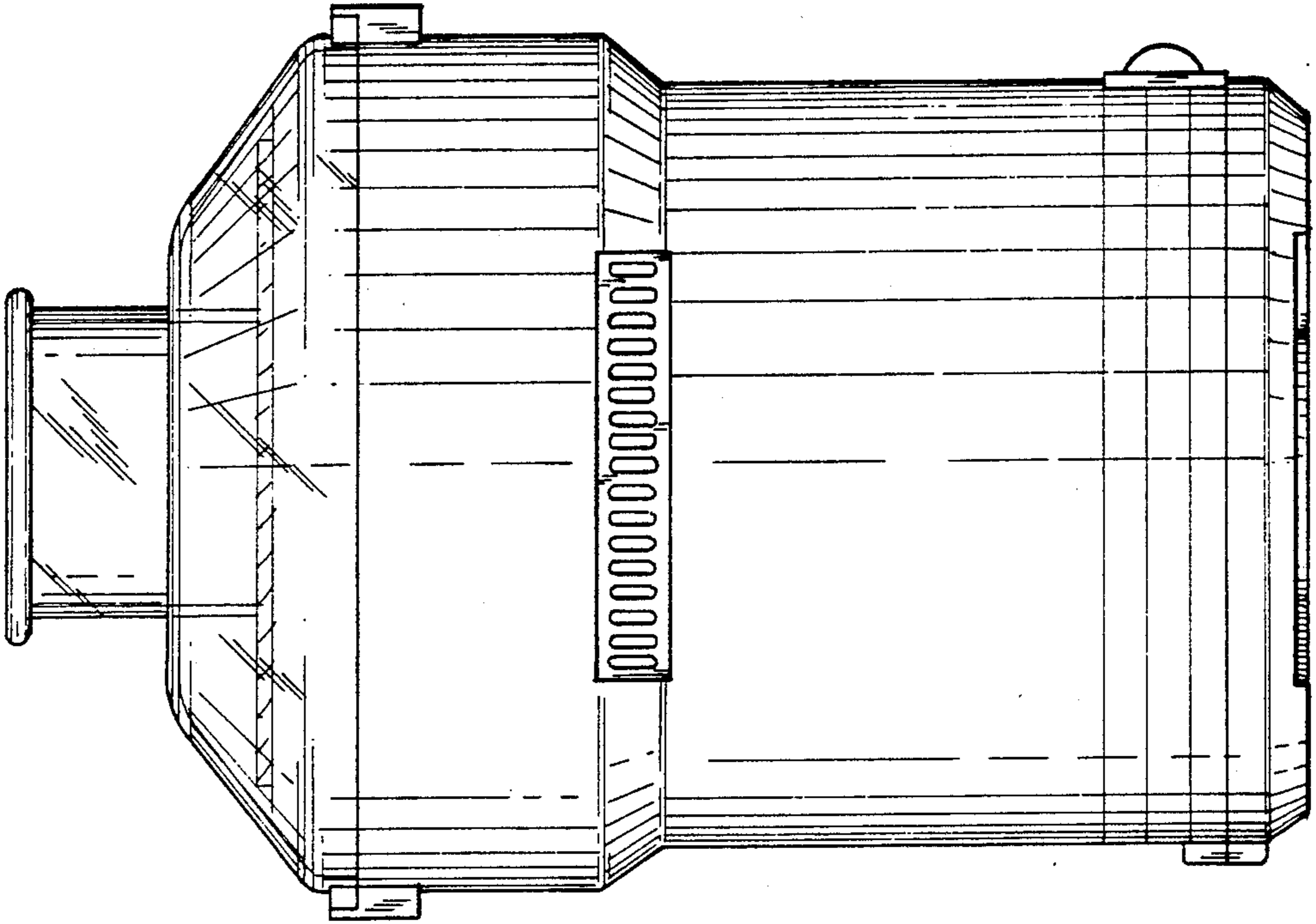


FIG. 4

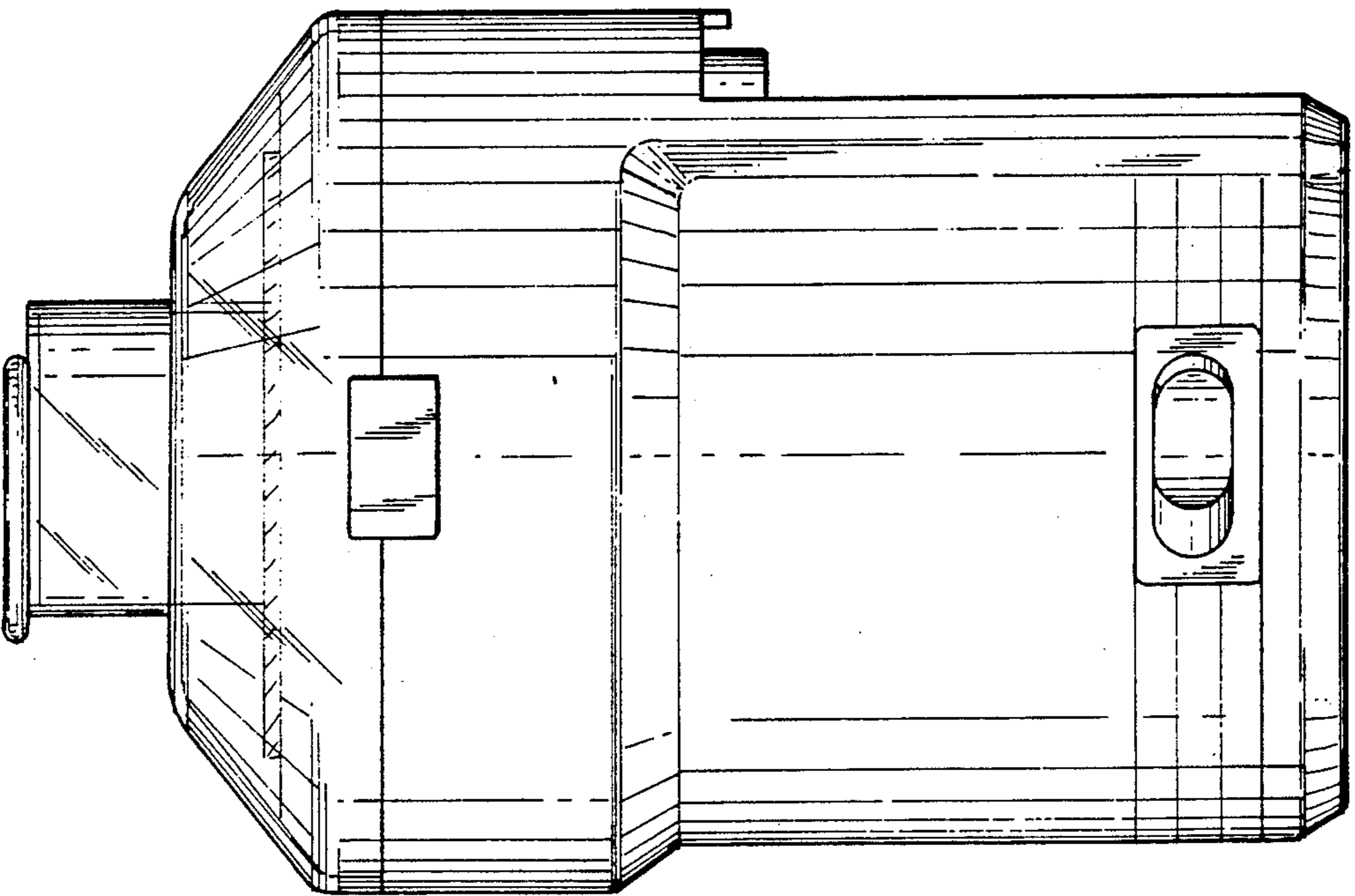


FIG. 6

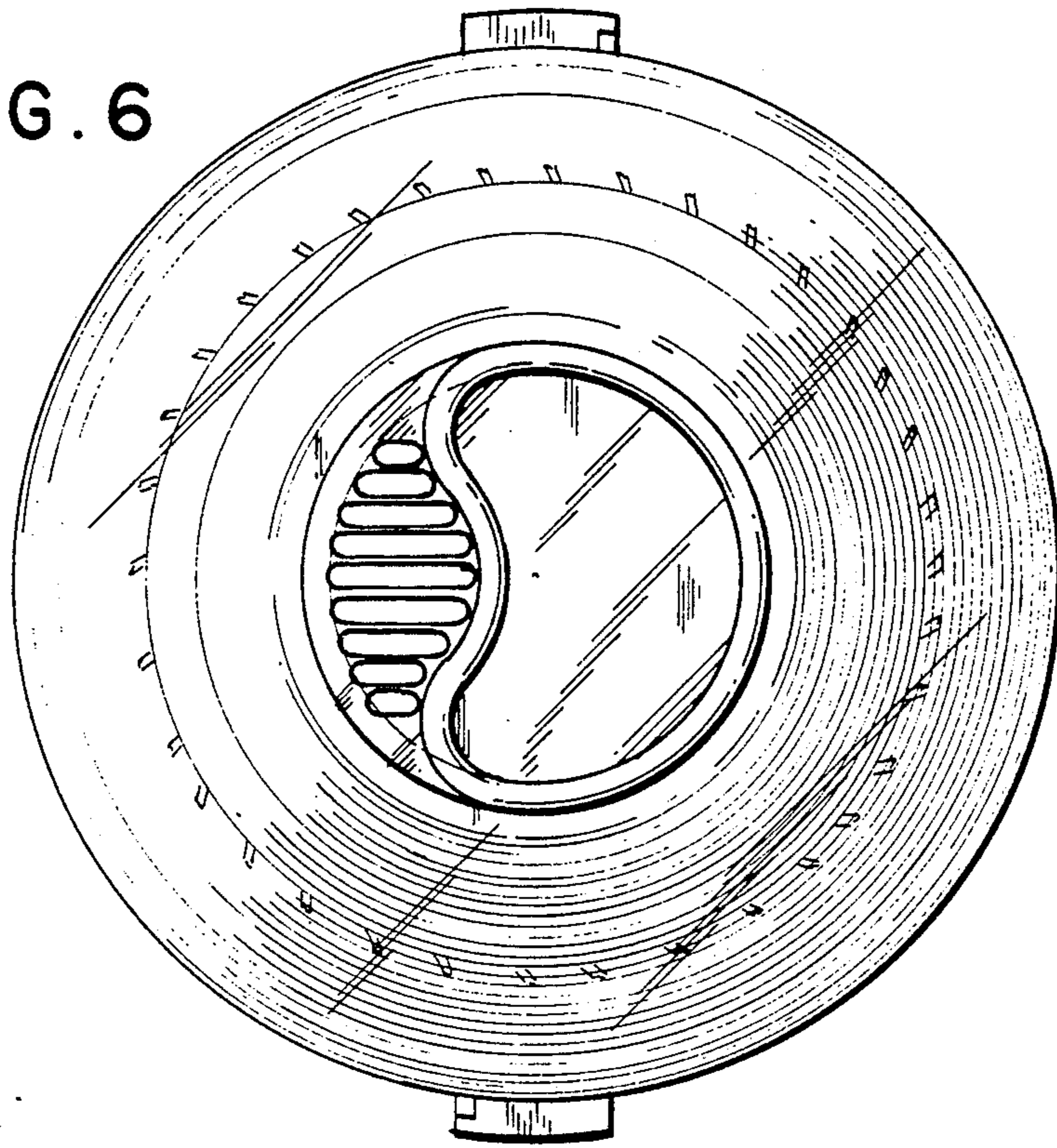


FIG. 7

