

[54] CAKE SEPARATOR PLATE

[75] Inventor: David W. DeAre, Glen Ellyn, Ill.
[73] Assignee: Wilton Industries, Inc., Woodridge, Ill.
[**] Term: 14 Years
[21] Appl. No.: 321,559

[22] Filed: Mar. 10, 1989
[52] U.S. Cl. D7/610; D7/566;
D7/570
[58] Field of Search D7/610, 550, 552, 566,
D7/570; 206/45.32, 557, 551; 248/346

[56] References Cited
U.S. PATENT DOCUMENTS

D. 179,278	11/1956	Bliss	D7/610
D. 312,756	12/1990	Crisci	D7/610
1,961,342	6/1934	De Reamer	248/346
3,318,283	5/1967	Maclam et al.	D7/610 X
4,197,940	4/1980	DeRossett	D7/610 X

Primary Examiner—Terry A. Pfeffer
Attorney, Agent, or Firm—James P. Ryther

[57] CLAIM

The ornamental design for cake separator plate, as shown.

DESCRIPTION

FIG. 1 is a top perspective view of a cake separator plate showing my new design;
FIG. 2 is a top plan view thereof;
FIG. 3 is a front elevational view thereof; and
FIG. 4 is a bottom plan view thereof.

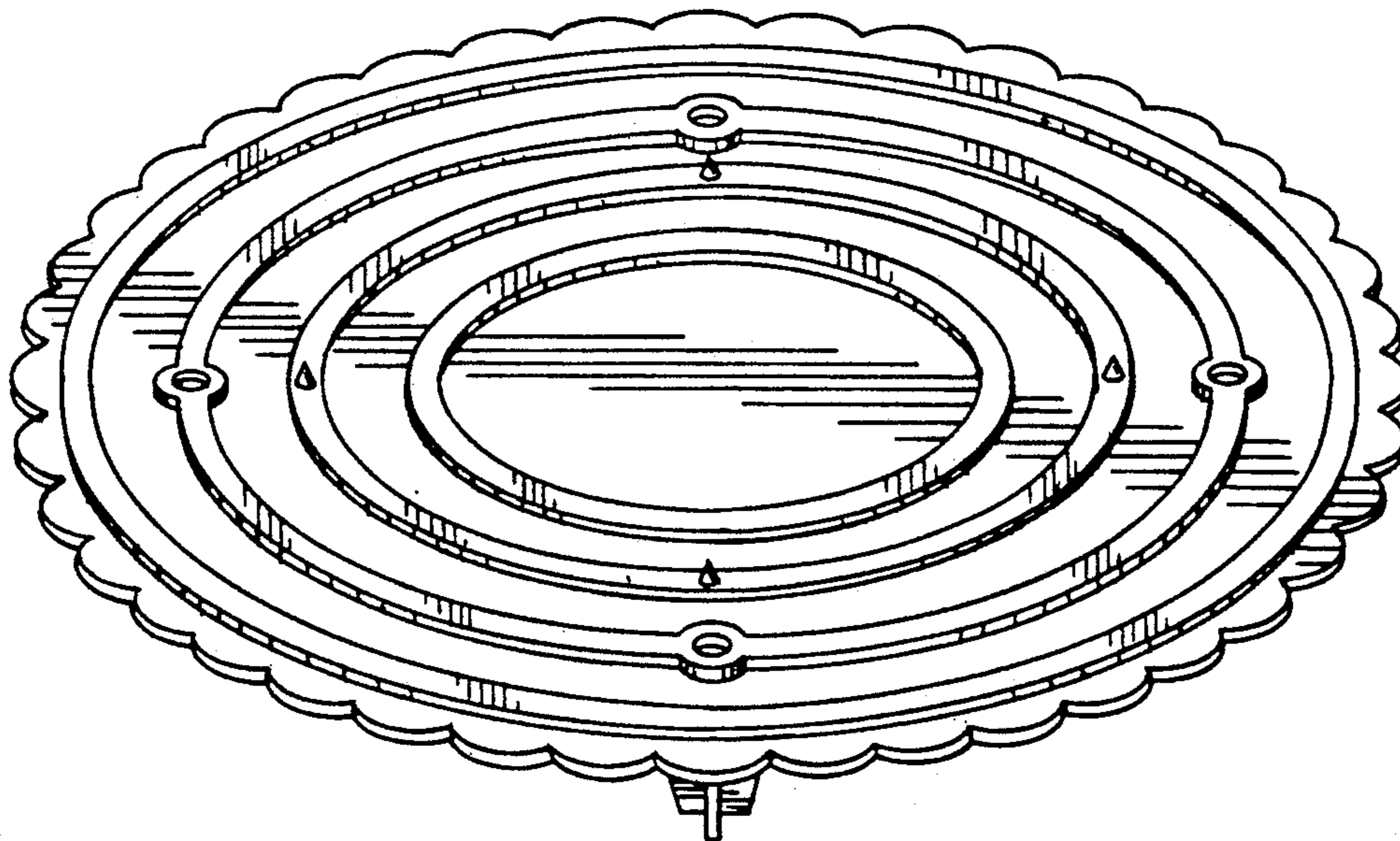


FIG. 1

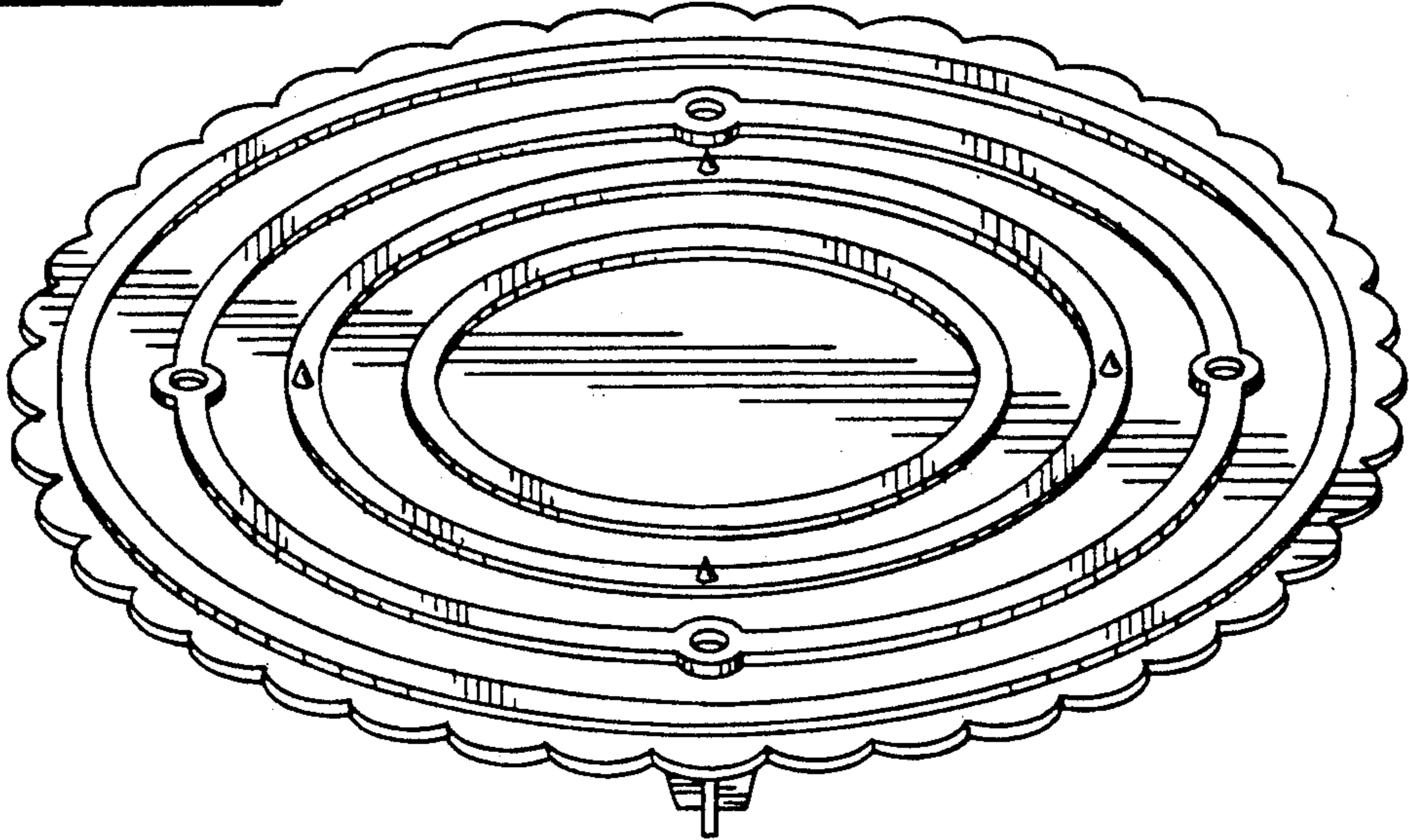


FIG. 2

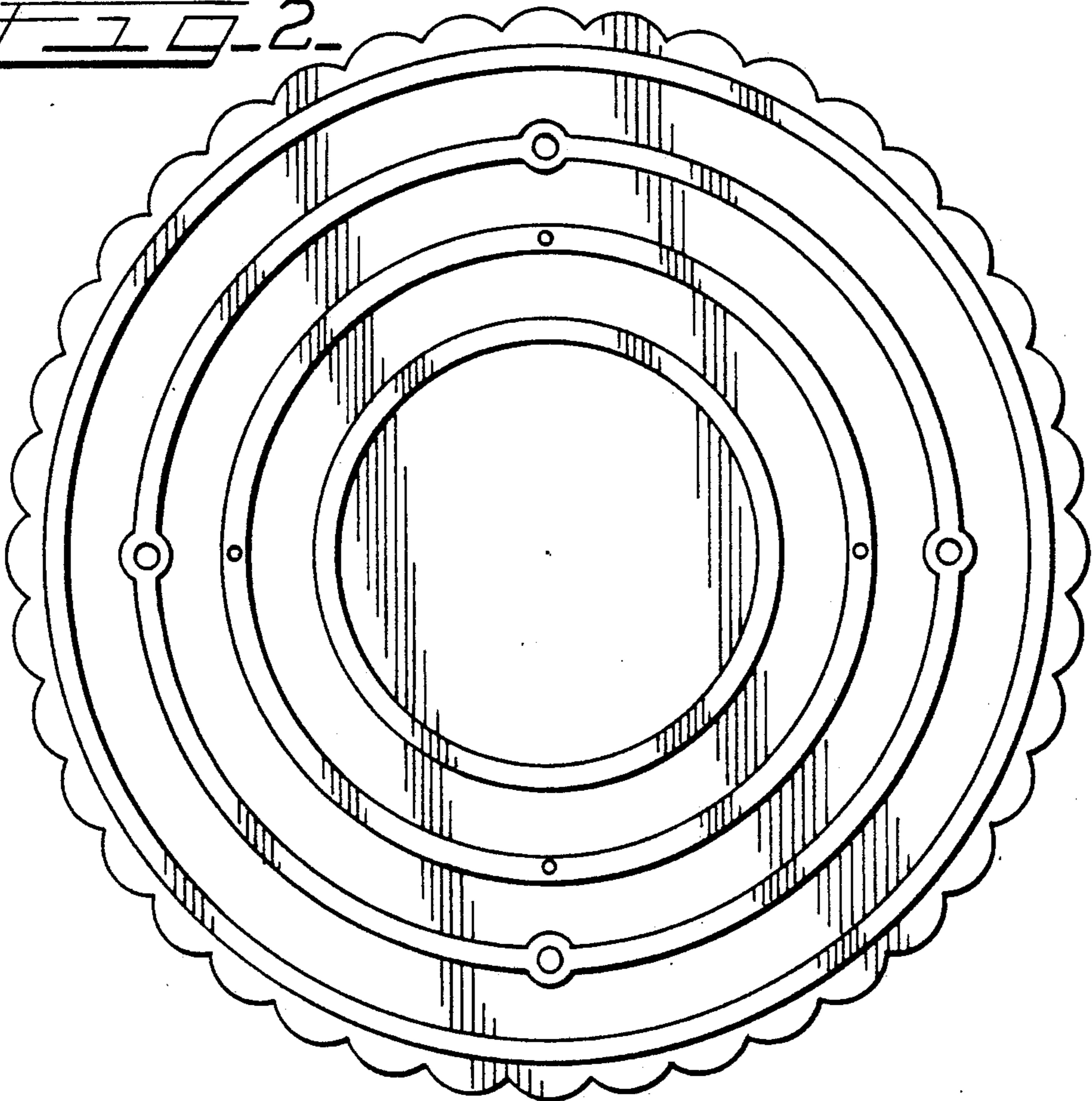


FIG. 3

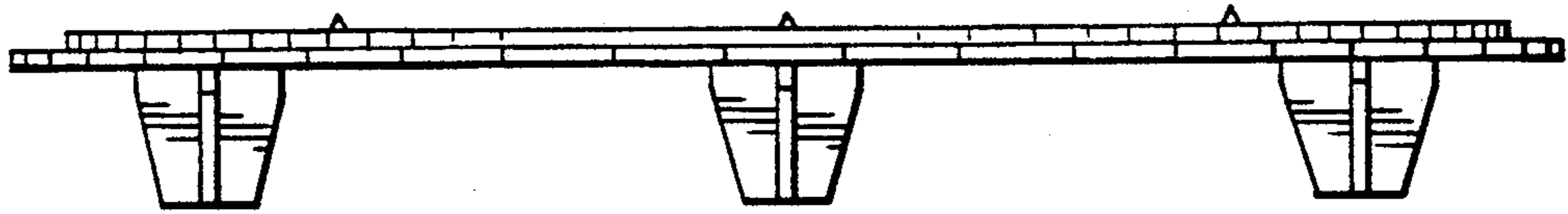


FIG. 4

