

[54] **MICROWAVE OVEN**

[75] **Inventor: Woo H. Jung, Seoul, Rep. of Korea**

[73] **Assignee: Gold Star Co., Ltd., Seoul, Rep. of Korea**

[*] **Notice:** The portion of the term of this patent subsequent to Jul. 23, 2005 has been disclaimed.

[**] **Term: 14 Years**

[21] **Appl. No.: 193,914**

[22] **Filed: May 13, 1988**

[30] **Foreign Application Priority Data**

Nov. 23, 1987 [KR] Rep. of Korea 17629[U]
[52] **U.S. Cl. D7/351**
[58] **Field of Search D7/347, 348, 349, 350, D7/351; 219/10.55 R-10.55 M**

[56] **References Cited**

U.S. PATENT DOCUMENTS

D. 294,106	2/1988	Murata et al.	D7/350
D. 297,392	8/1988	Han	D7/351
D. 301,109	5/1989	Kawaishi	D7/351
D. 301,959	7/1989	Yamada et al.	D7/351
D. 304,542	11/1989	Yoo	D7/351

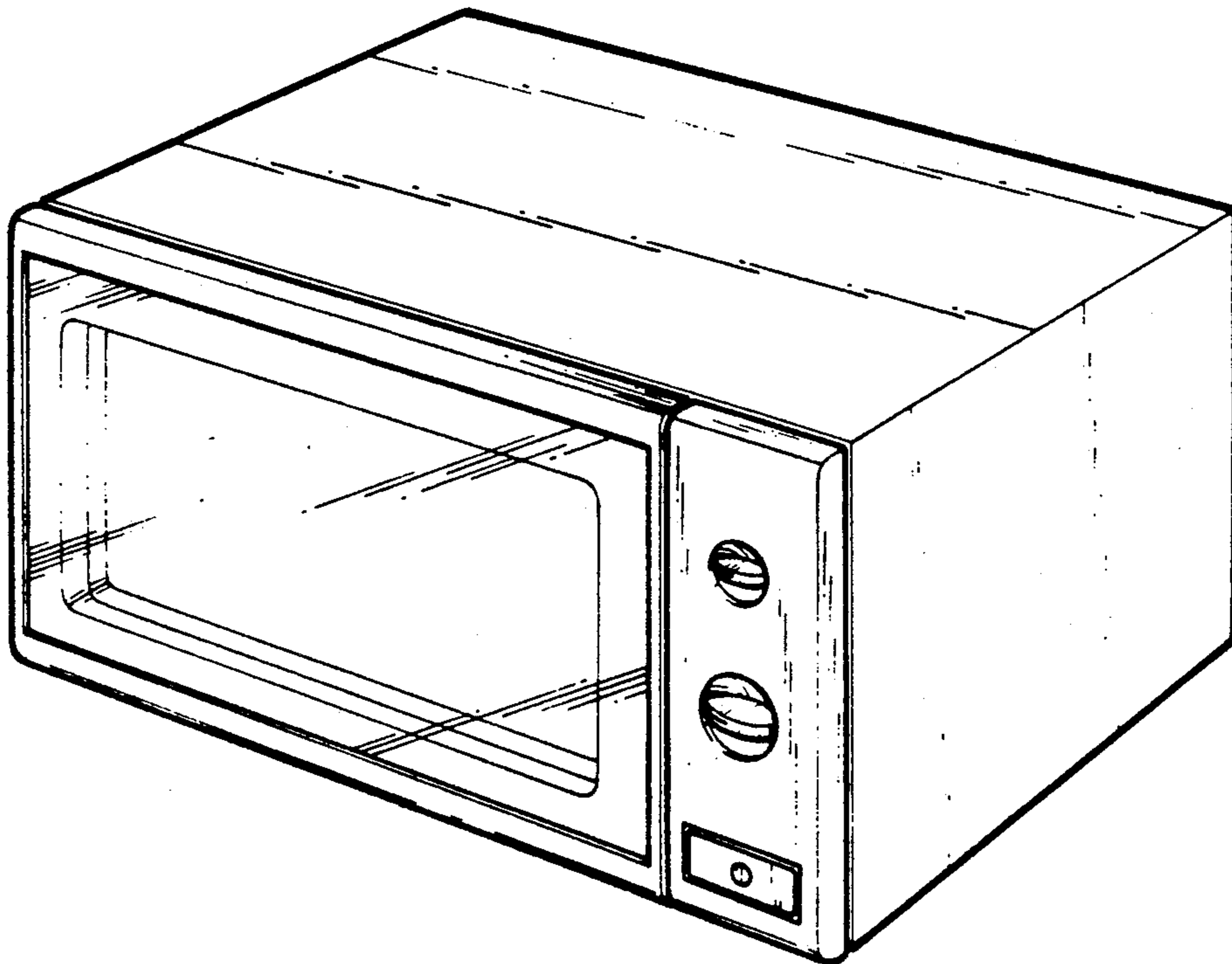
Primary Examiner—A. Hugo Word
Assistant Examiner—Doris V. Coles
Attorney, Agent, or Firm—John P. White

[57] **CLAIM**

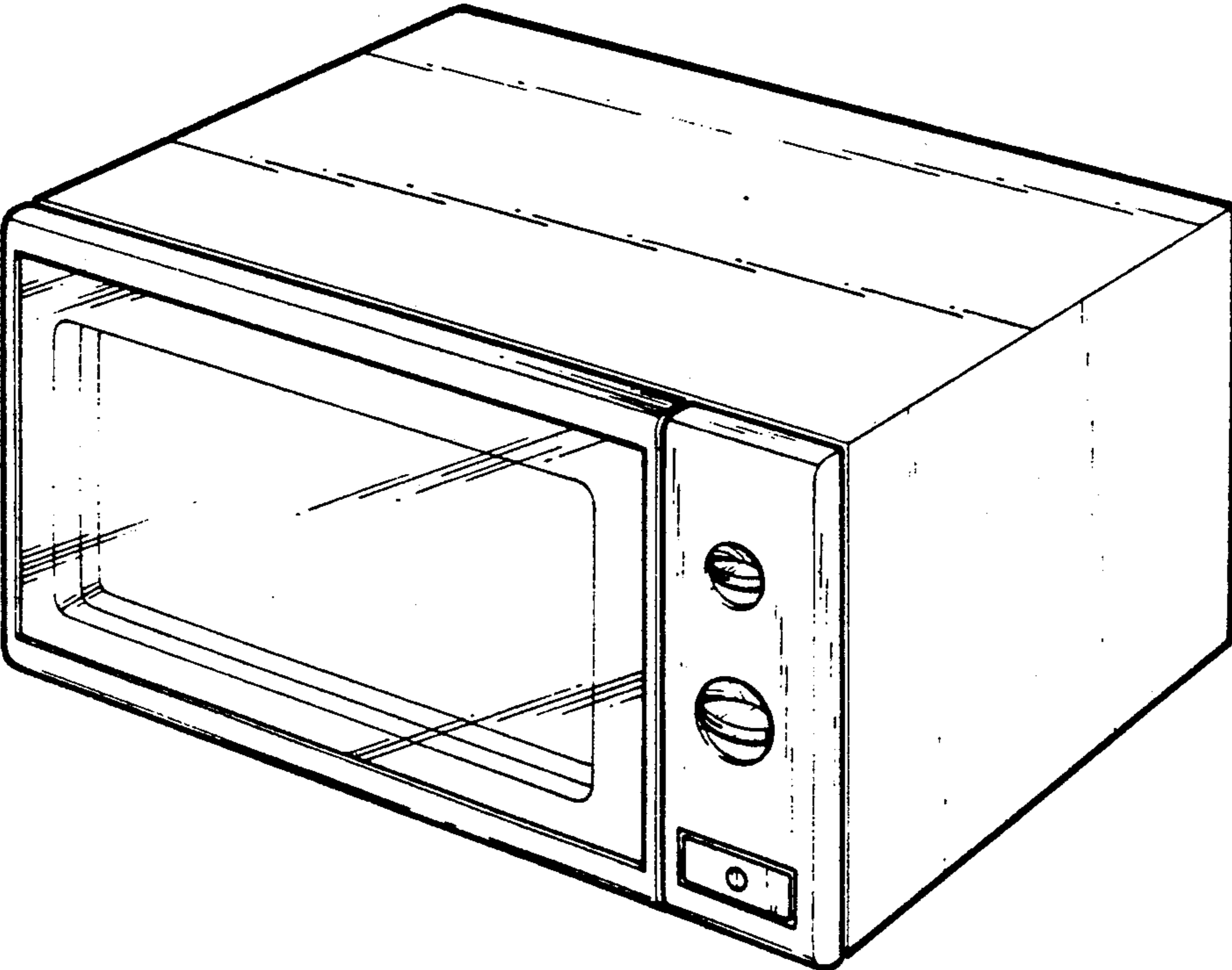
The ornamental design for a microwave oven, as shown and described.

DESCRIPTION

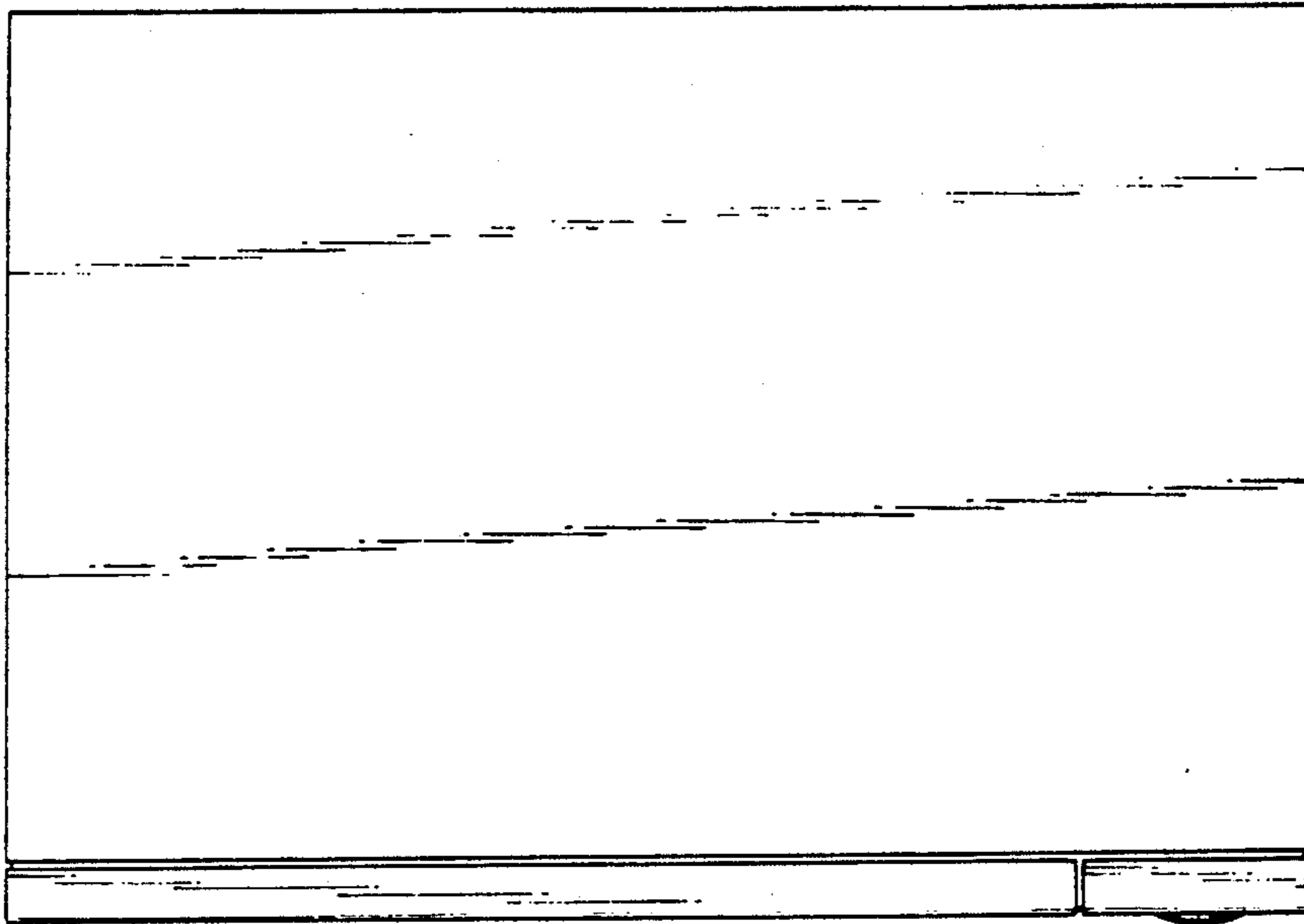
FIG. 1 is a front perspective view of a microwave oven showing my new design;
FIG. 2 is a top plan view thereof;
FIG. 3 is a front elevational view thereof;
FIG. 4 is a bottom plan view thereof;
FIG. 5 is a rear elevational view thereof;
FIG. 6 is a right side elevational view thereof; and
FIG. 7 is a left side elevational view thereof.



F I G . 1



F I G. 2



F I G. 3

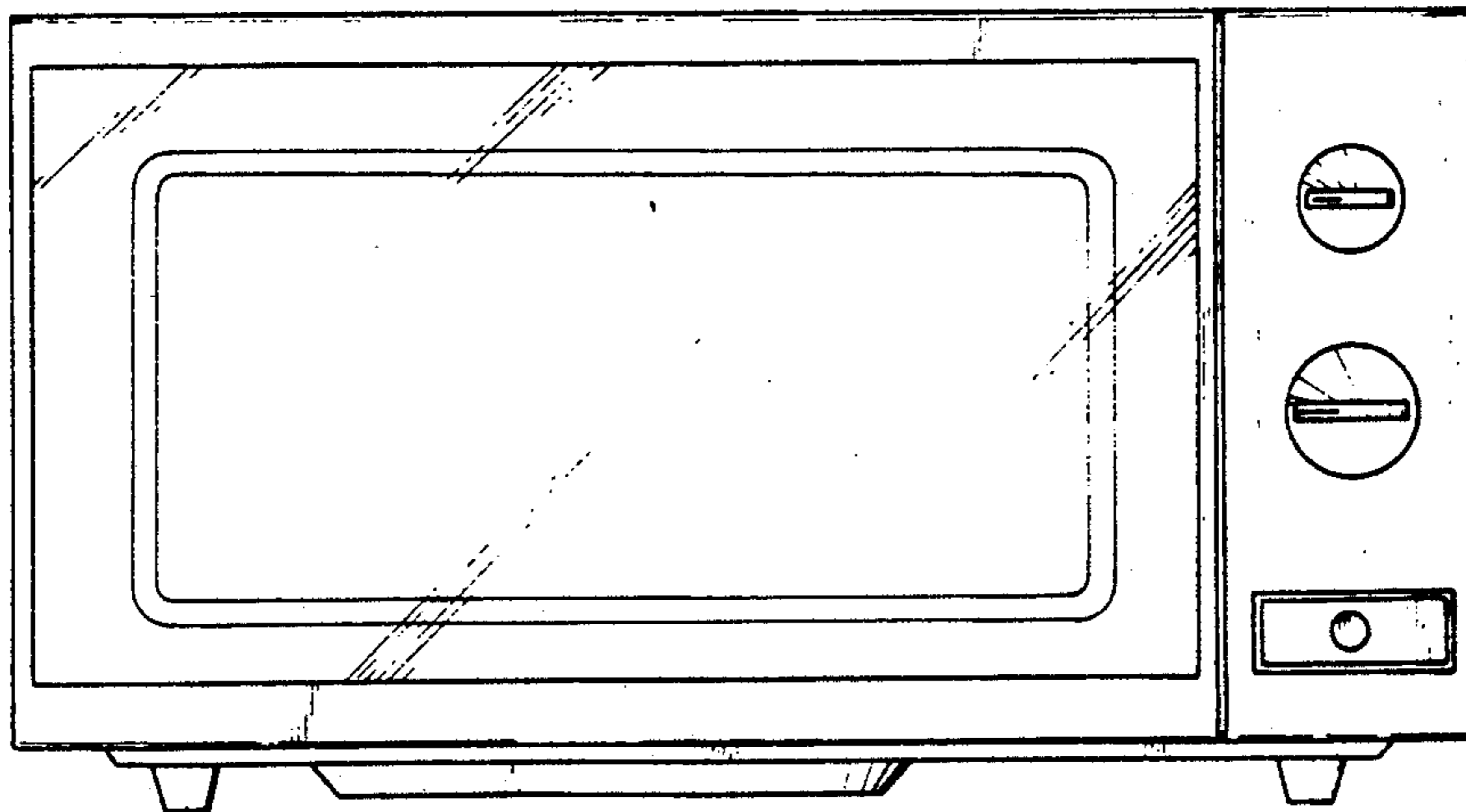


FIG. 4

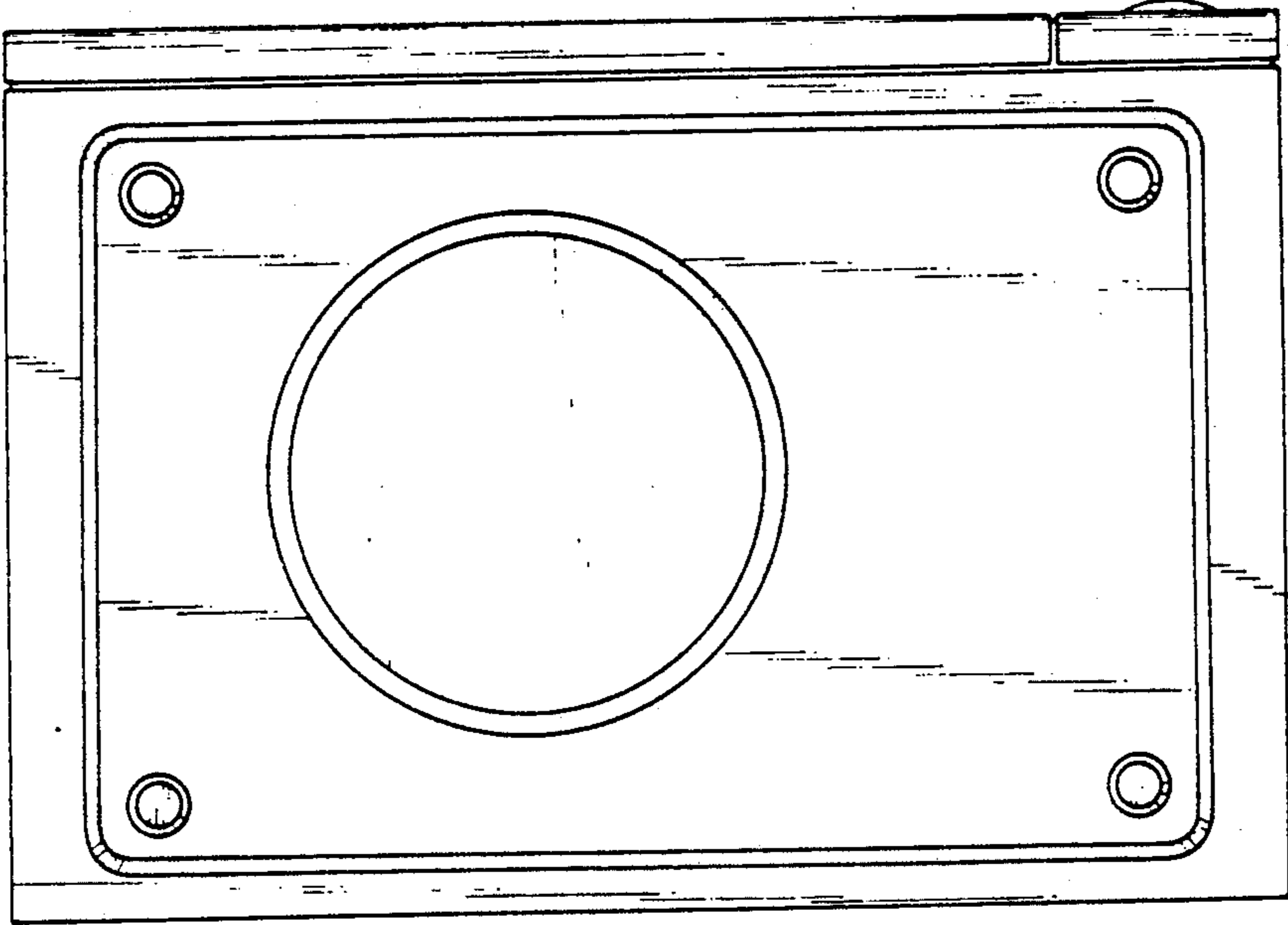
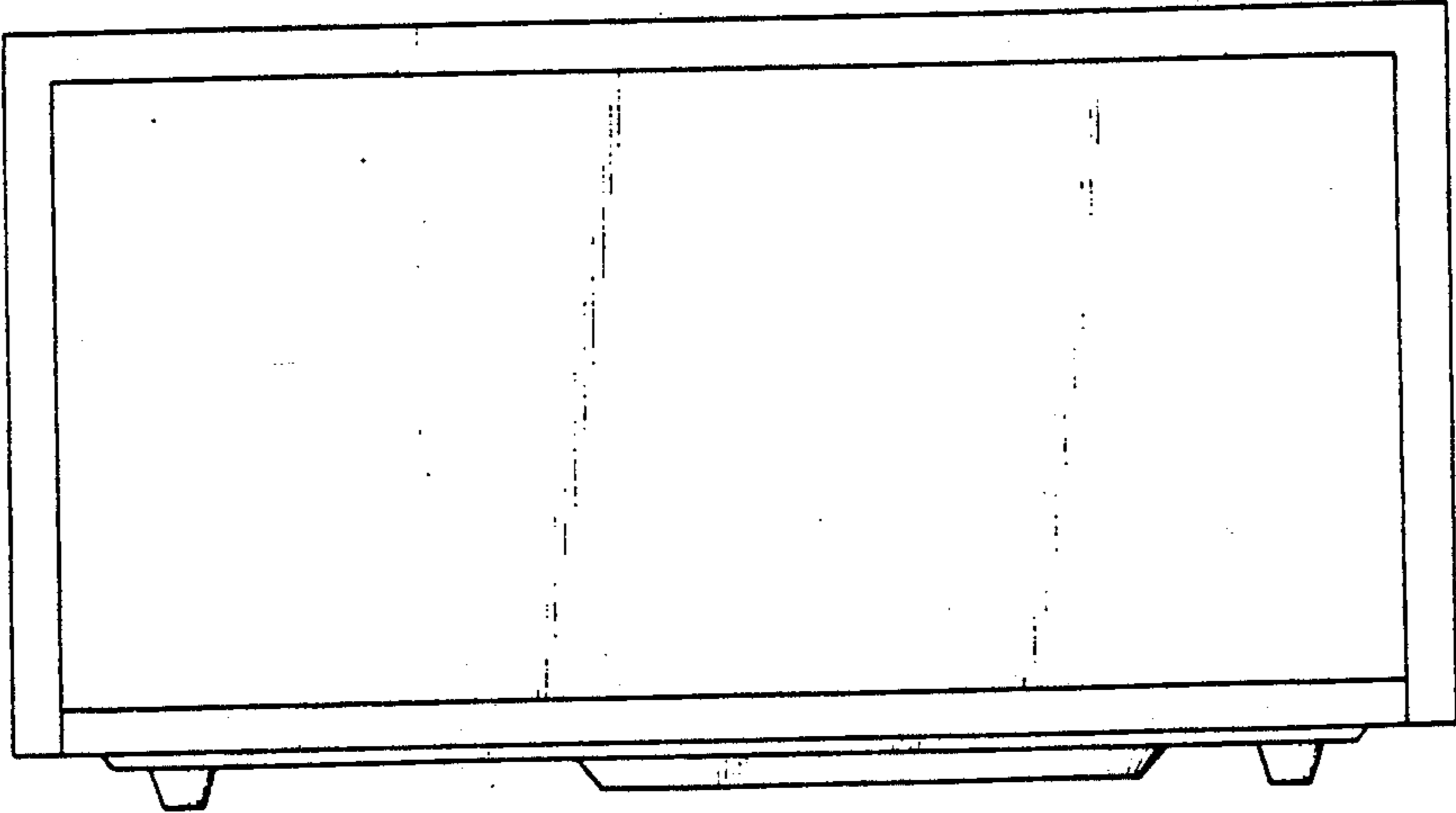
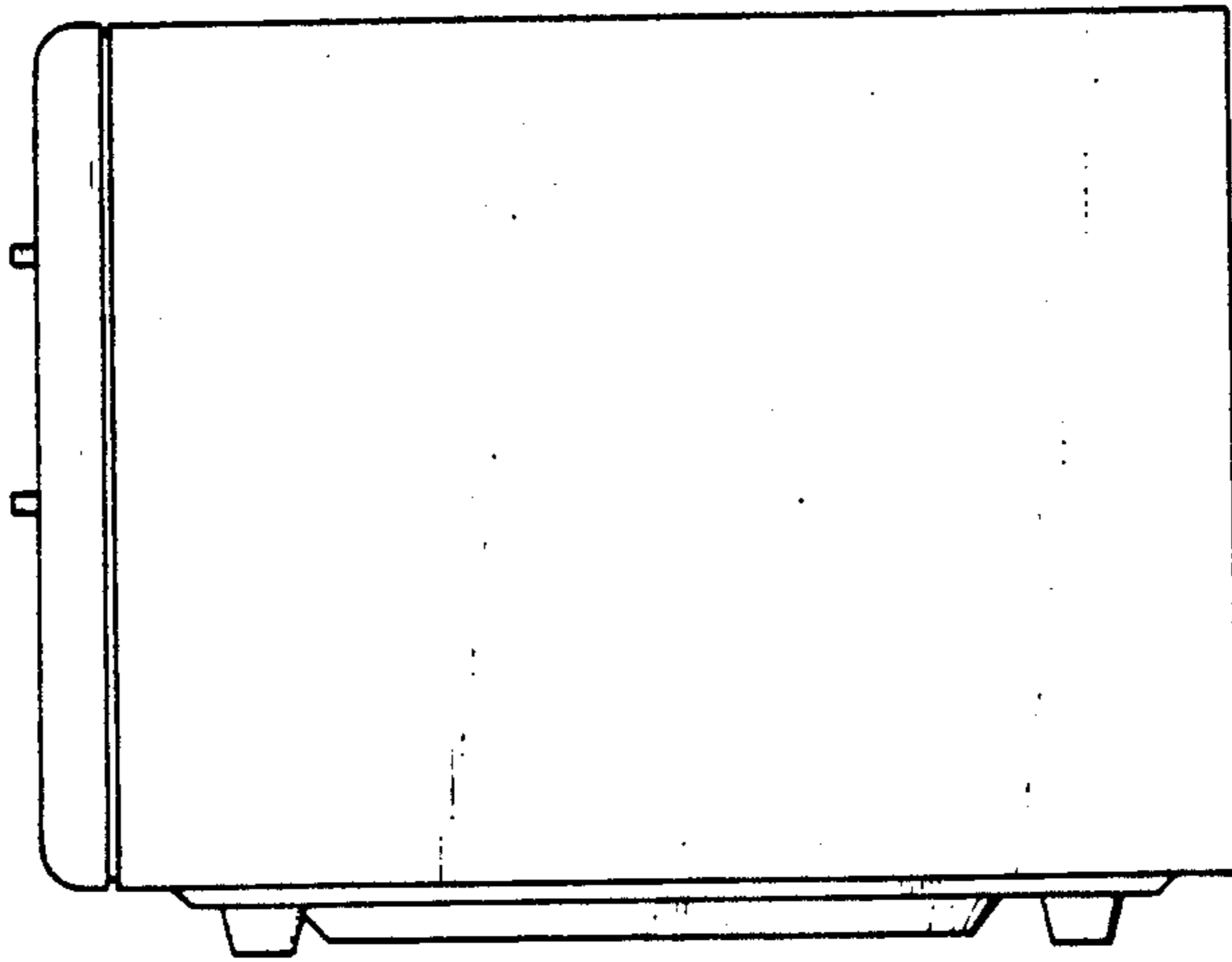


FIG. 5



F I G . 6



F I G . 7

