

[54] BEVERAGE SHAKER

[75] Inventor: Robert Larimer, New York, N.Y.

[73] Assignee: Metrokane Imports, Inc., New York, N.Y.

[\*\*] Term: 14 Years

[21] Appl. No.: 312,965

[22] Filed: Feb. 17, 1989

[52] U.S. Cl. .... D7/300.1

[58] Field of Search ..... D7/300.1, 590, 591, D7/594, 596; D9/349-355, 359, 366, 377, 399, 434-454, 307, 337; 222/196.1-196.5, 197, 370, 545, 562, 563, 565; 220/256, 293

[56] References Cited

U.S. PATENT DOCUMENTS

D. 98,763 3/1936 Guild ..... D7/300.1  
1,173,503 2/1916 Goetzke ..... 222/565 X  
1,969,386 8/1934 Reichenbach ..... D7/300.1 X

FOREIGN PATENT DOCUMENTS

206845 of 1908 Fed. Rep. of Germany ... 222/196.4  
206334 of 0000 Switzerland ..... 222/794

OTHER PUBLICATIONS

*Cooking and Sanitary Wares; c1922 Lalance & Grosjean Manufacturing Company, p. 206 T: lower left.*

Spencer Gifts 1961 cat; p. 13, top right: Scotch Decanter.

Tableware International: 4/1987, p. 74: bottom of page, Receptacle on tray.

Article on Russel Wright (undated) (source unknown).

Primary Examiner—Bernard Ansher

Assistant Examiner—C. Tuttle

Attorney, Agent, or Firm—Amster, Rothstein & Ebenstein

[57] CLAIM

The ornamental design for a beverage shaker, as shown and described.

DESCRIPTION

FIG. 1 is a side elevational view of a beverage shaker showing my new design;

FIG. 2 is a top plan view thereof;

FIG. 3 is a bottom plan view thereof;

FIG. 4 is an isometric view shown with the outer cover portion removed for clarity of illustration;

FIG. 5 is an exploded isometric view thereof;

FIG. 6 is a top plan view thereof; and

FIG. 7 is an exploded isometric view thereof shown with both the inner and outer cover portions removed for clarity of illustration.

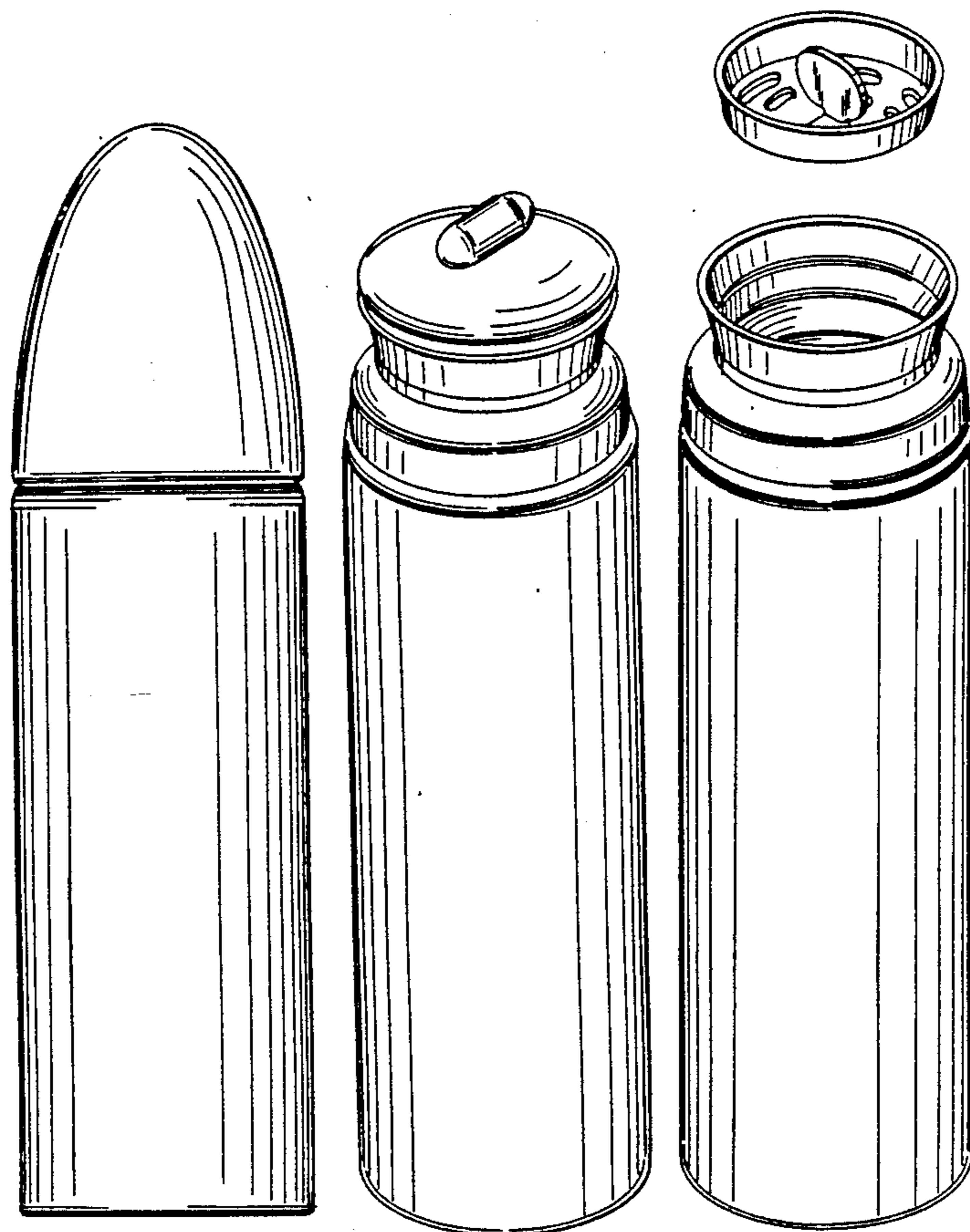


FIG. 1

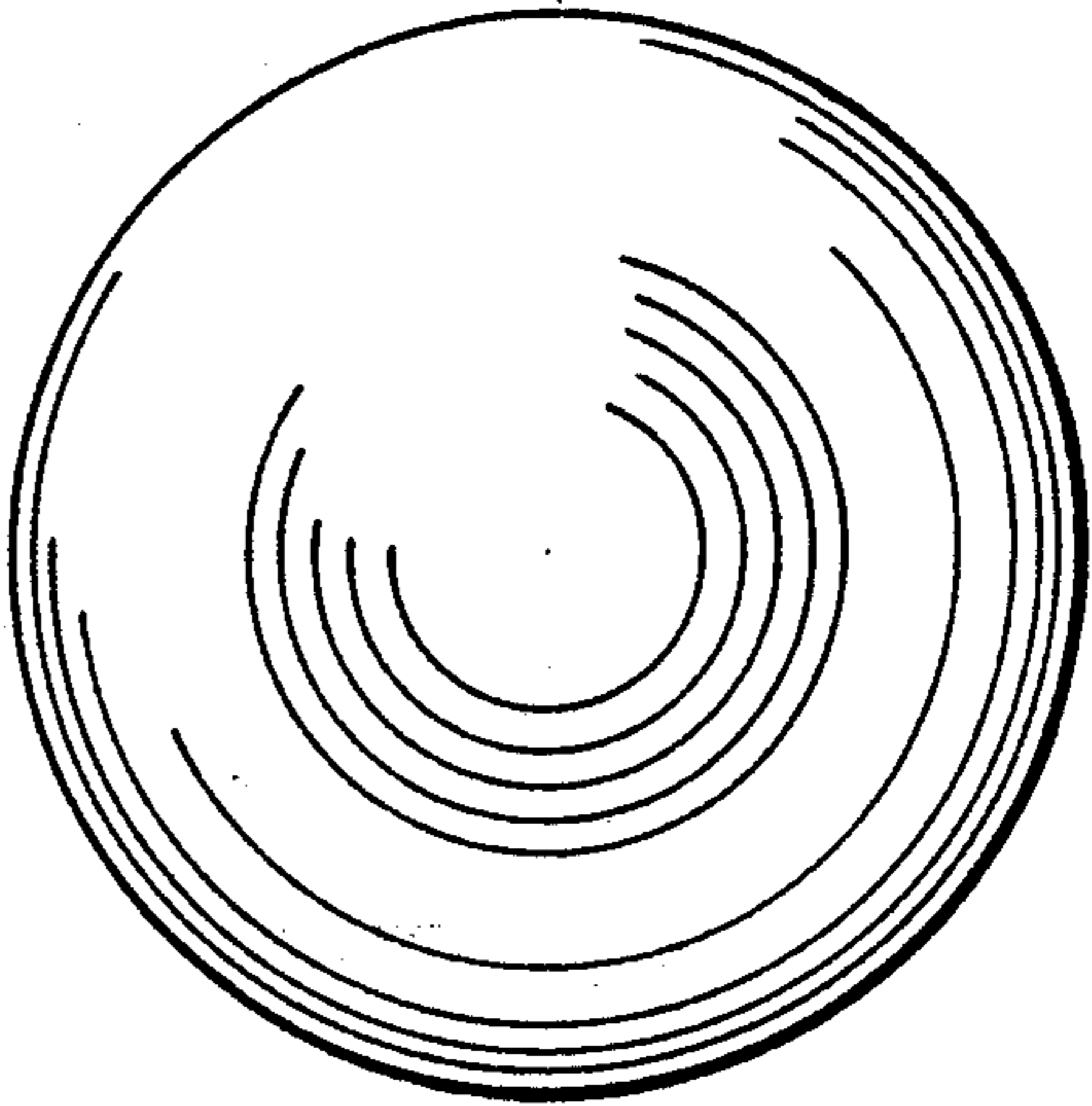
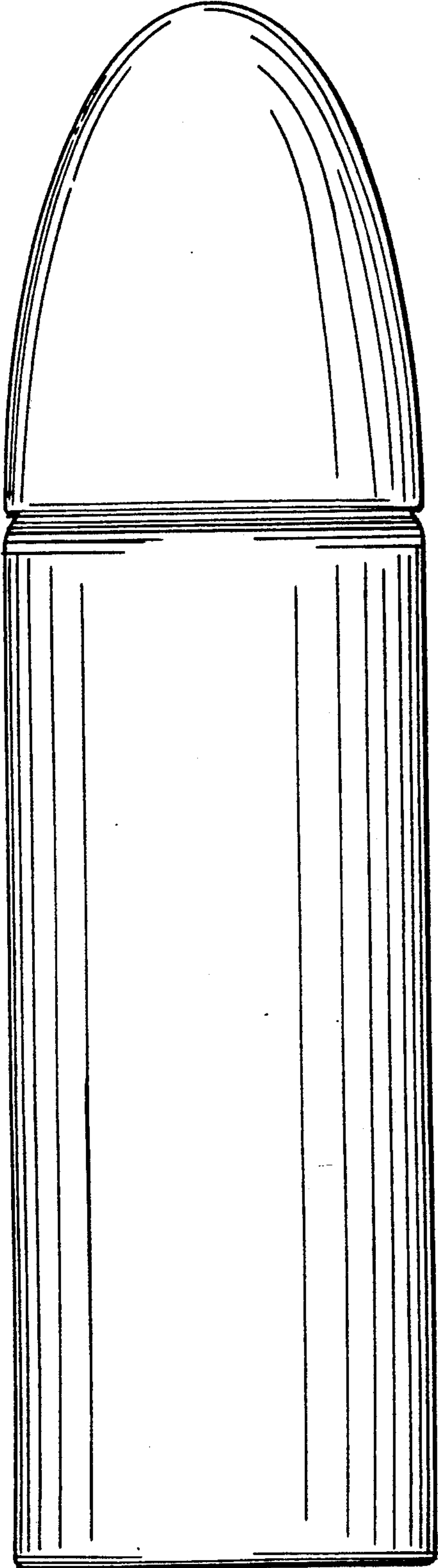


FIG. 2

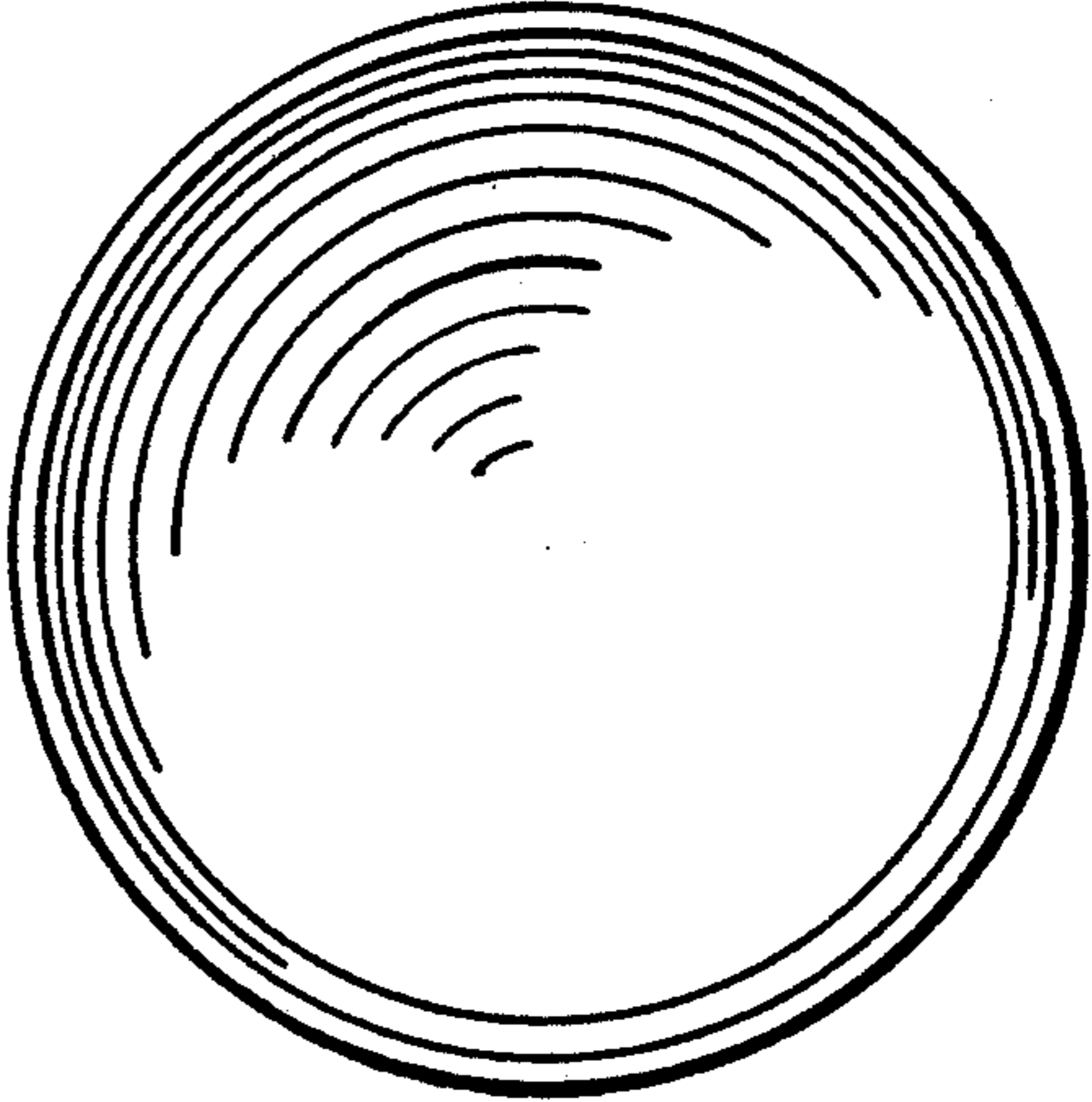


FIG. 3

FIG. 4

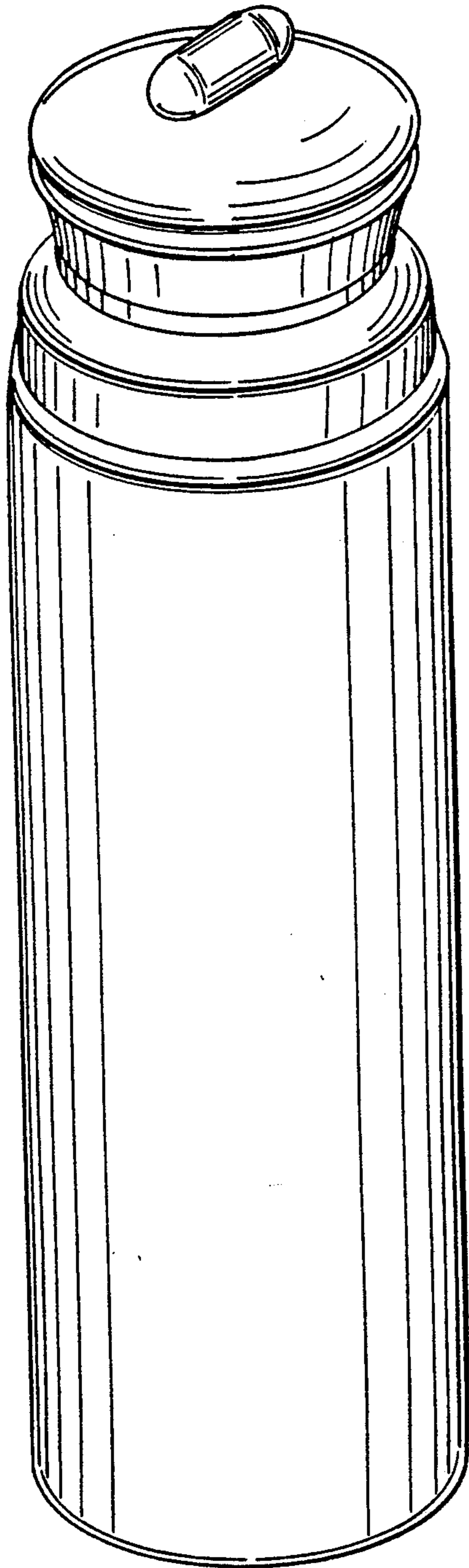
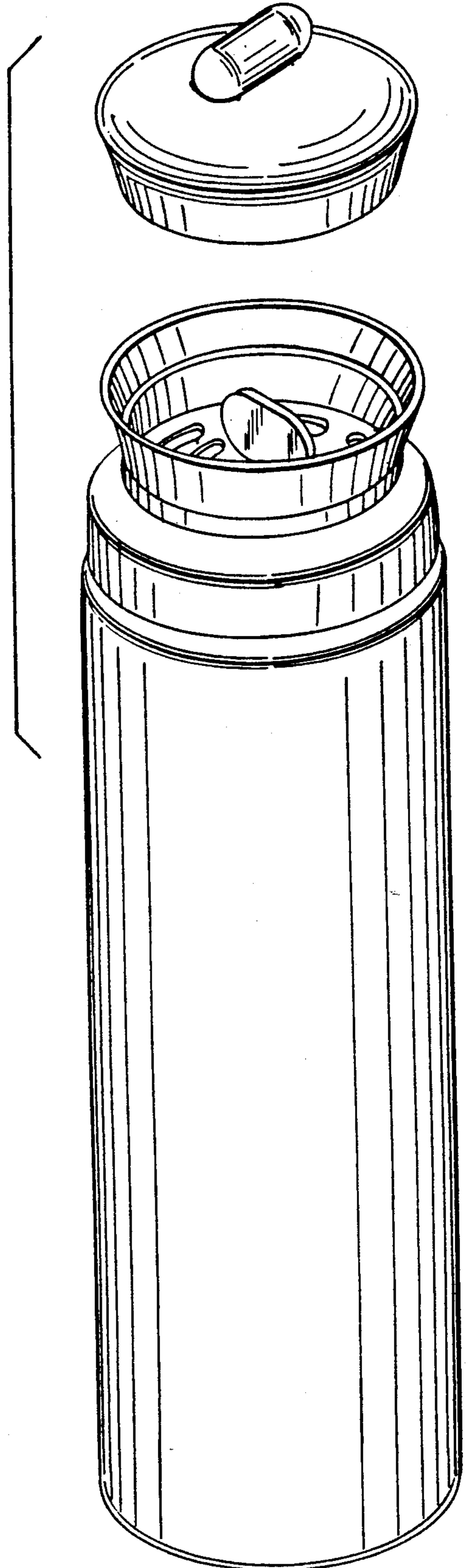


FIG. 5



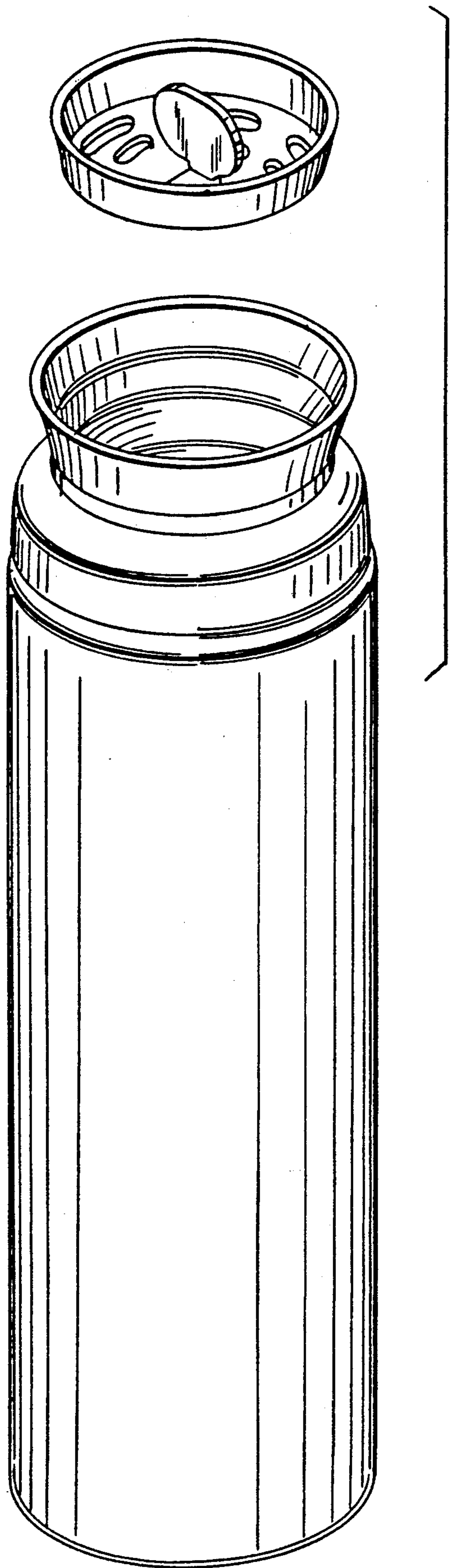


FIG. 7

FIG. 6

