

[54] SUPPORT CUSHION

[76] Inventor: Nathan Edelson, 526 Hickory St., Missoula, Mont. 59801

[\*\*] Term: 14 Years

[21] Appl. No.: 447,705

[22] Filed: Dec. 8, 1989

[52] U.S. Cl. .... D6/601; D6/596

[58] Field of Search ..... D6/595-596, D6/601, 605, 349; 5/417, 419, 431-432, 434, 437, 440, 445, 448, 462, 465; 297/423, 438, 461-462

[56] References Cited

U.S. PATENT DOCUMENTS

D. 240,491 7/1976 Kramer ..... D6/596

D. 247,149	2/1978	Woog	.....	D6/596
D. 247,209	2/1978	Woog	.....	D6/596
D. 258,187	2/1981	Robbins	.....	D6/596
D. 310,608	9/1990	Axell	.....	D6/601
4,535,495	8/1985	Oldfield	.....	5/432

Primary Examiner—Wallace R. Burke

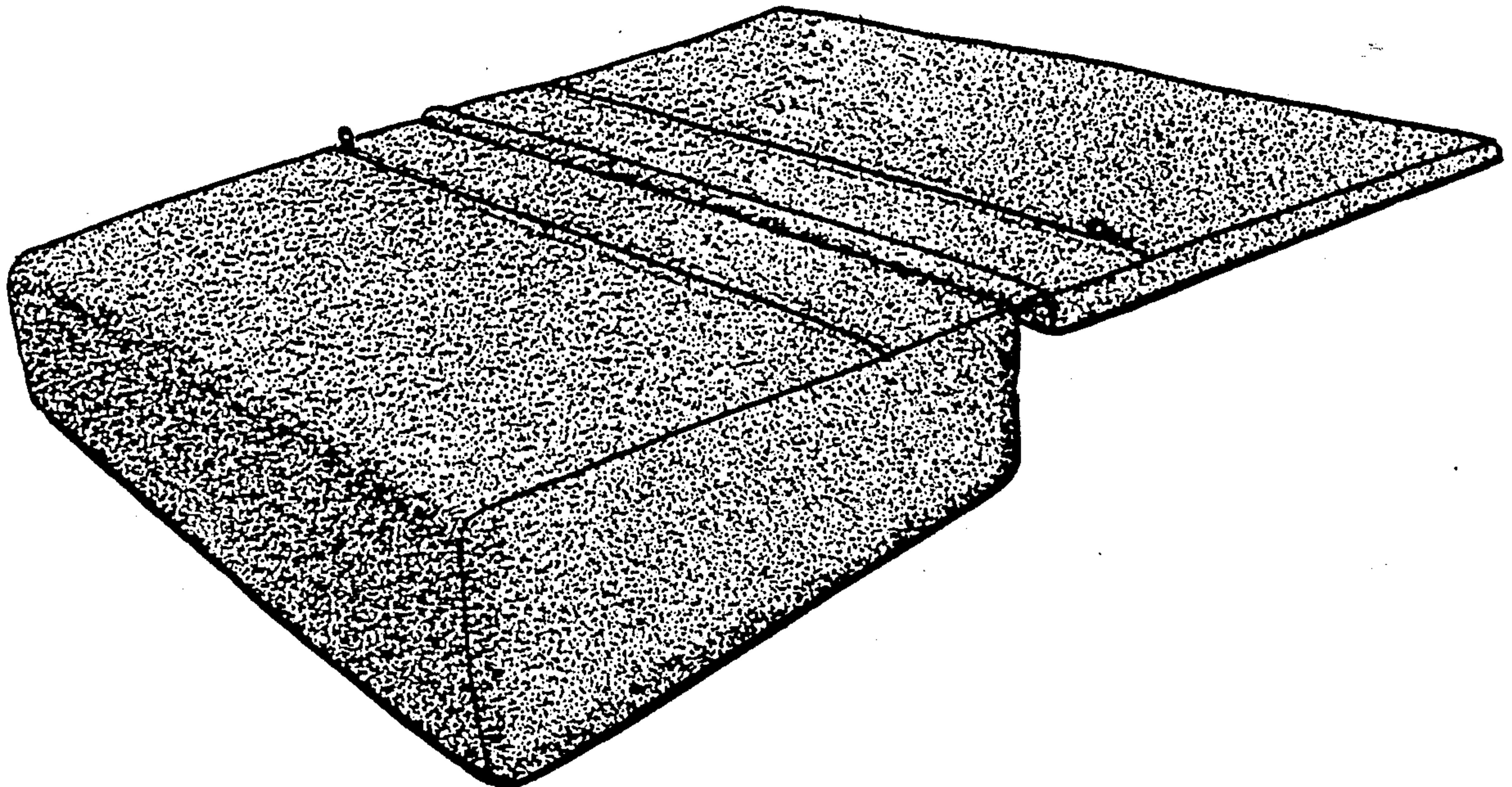
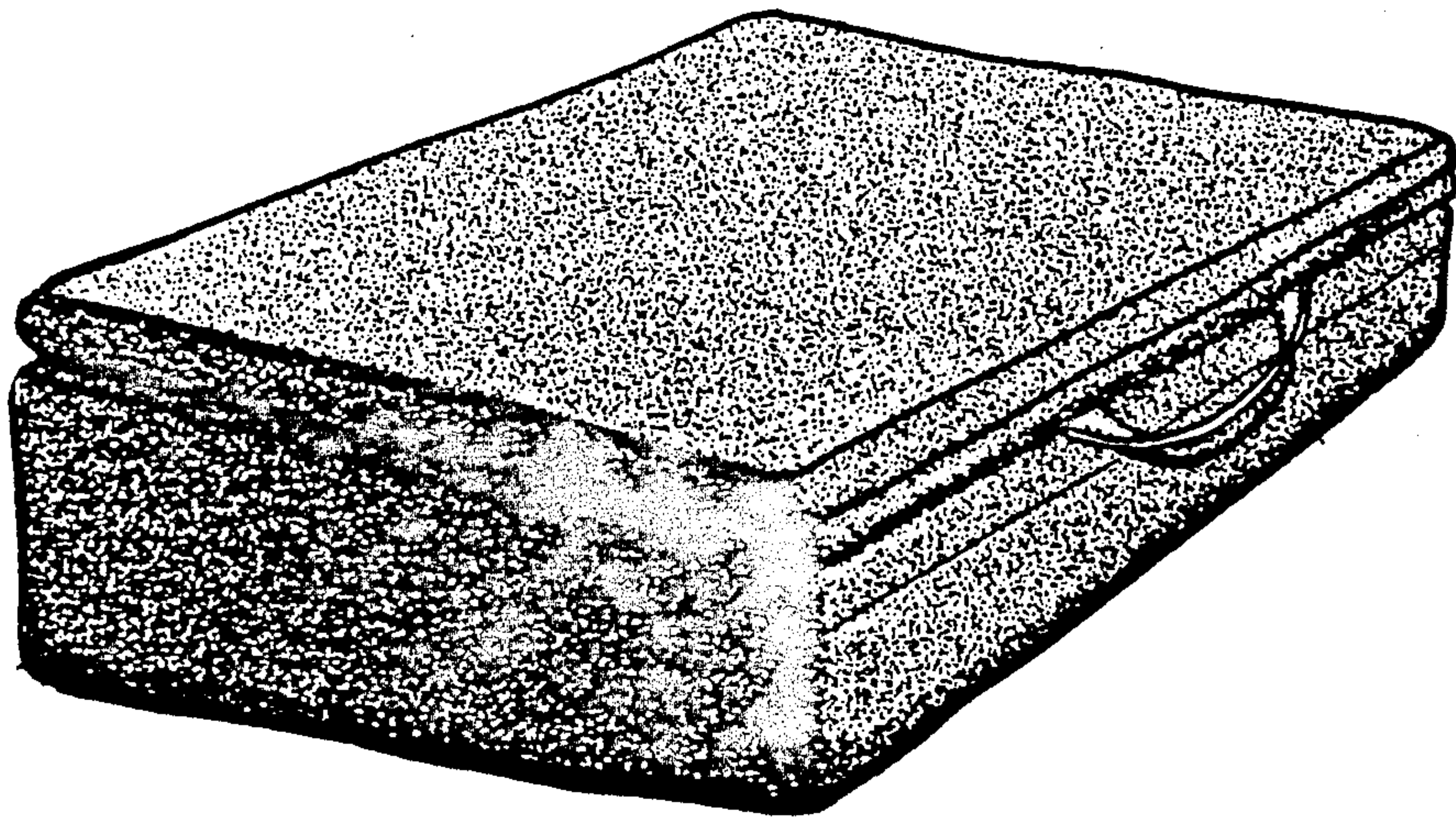
Assistant Examiner—Brian N. Vinson

[57] CLAIM

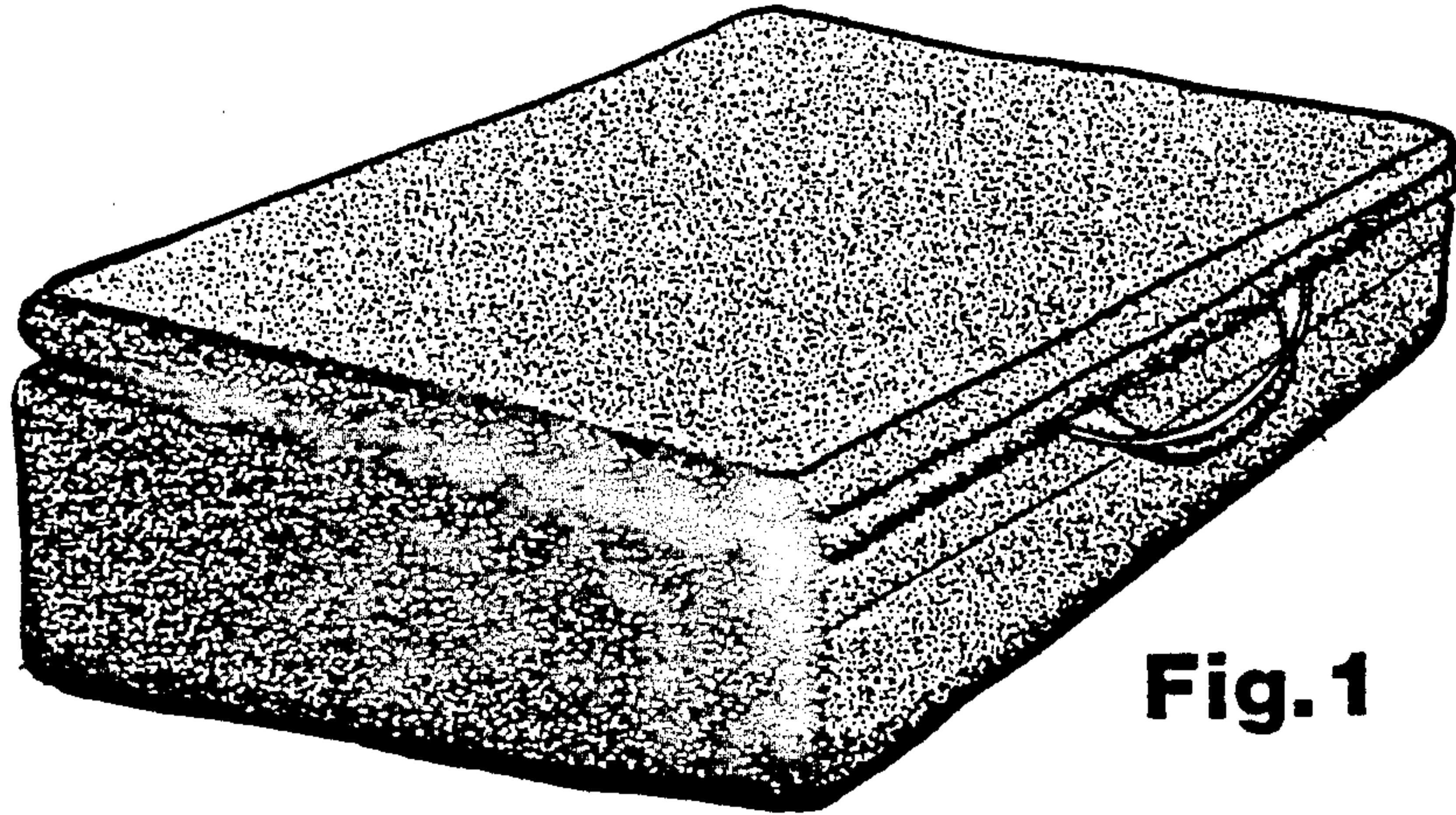
The ornamental design for a support cushion, as shown and described.

DESCRIPTION

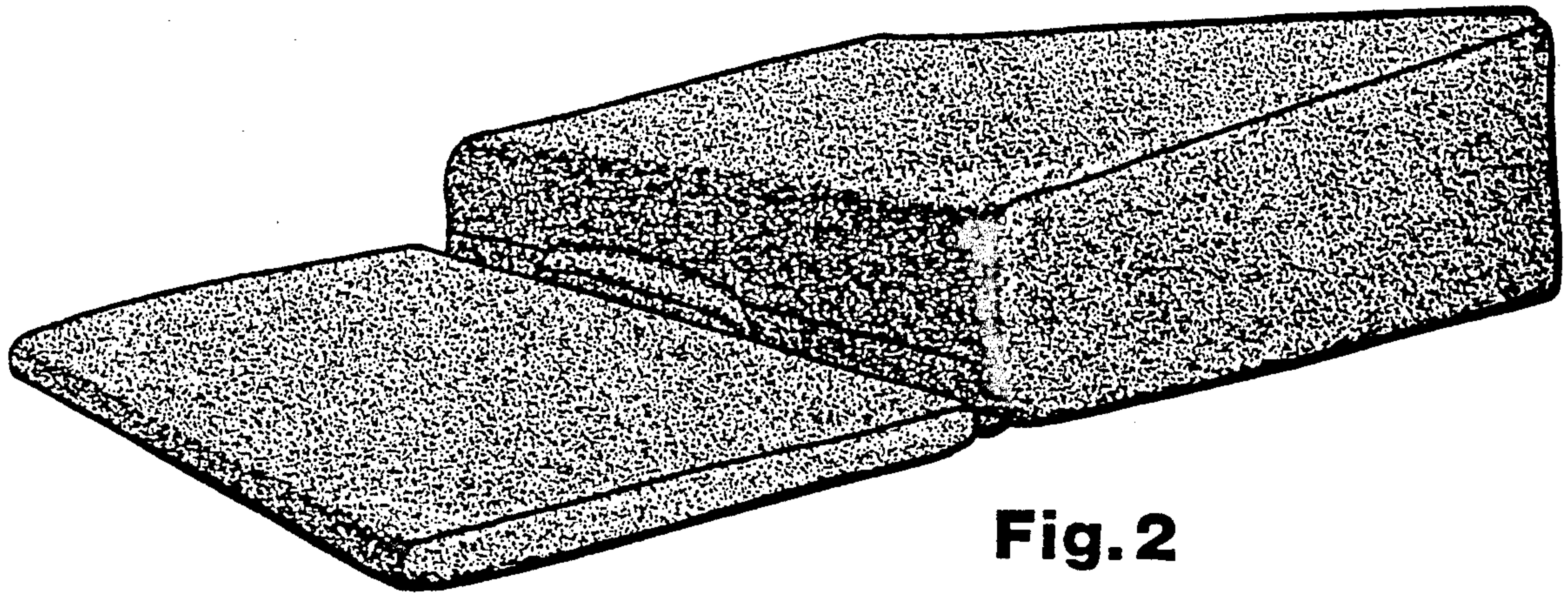
FIG. 1 is a top, front, and left side perspective view of a support cushion showing my new design; FIG. 2 is a top, front, and right side perspective view thereof, shown in an opened position; and FIG. 3 is a bottom, rear, and right side perspective view thereof, shown in an opened position.



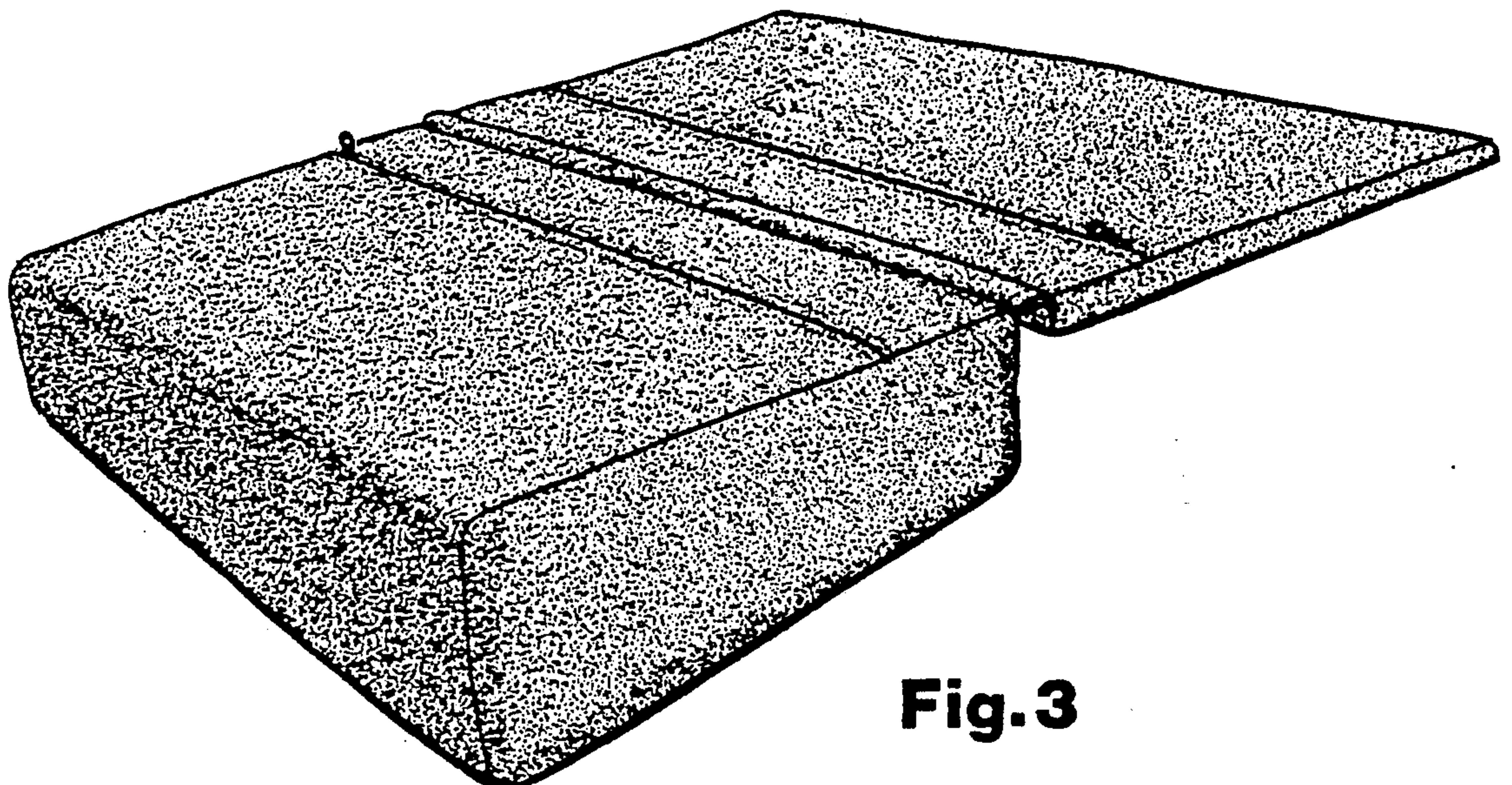




**Fig. 1**



**Fig. 2**



**Fig. 3**