

[54] MOP AND BROOM RACK

[76] Inventors: Steven E. Greenhut, 21646 Club Villa Ter., Boca Raton, Fla. 33433; Sheldon H. Goodman, 4079 Princeton Blvd., South Euclid, Ohio 44121

[**] Term: 14 Years

[21] Appl. No.: 397,293

[22] Filed: Aug. 23, 1989

[52] U.S. Cl. D6/554; D8/373

[58] Field of Search D6/554, 552; D8/380, D8/373; 248/113, 316.3; 211/65

[56] References Cited

U.S. PATENT DOCUMENTS

D. 41,319	4/1911	Kremer	D8/373
D. 117,849	11/1939	Harvey	D8/373
D. 136,004	7/1943	Allred	D8/373
D. 154,270	6/1949	Hawn	248/113 X
1,485,092	2/1924	Rauchut	211/65 X
1,803,569	5/1931	Taylor	248/113
2,159,548	5/1939	Buchanan	211/65
2,591,805	4/1952	Gossett	211/89
3,946,877	3/1976	Galicia	211/65

FOREIGN PATENT DOCUMENTS

526644 3/1954 Belgium 211/65

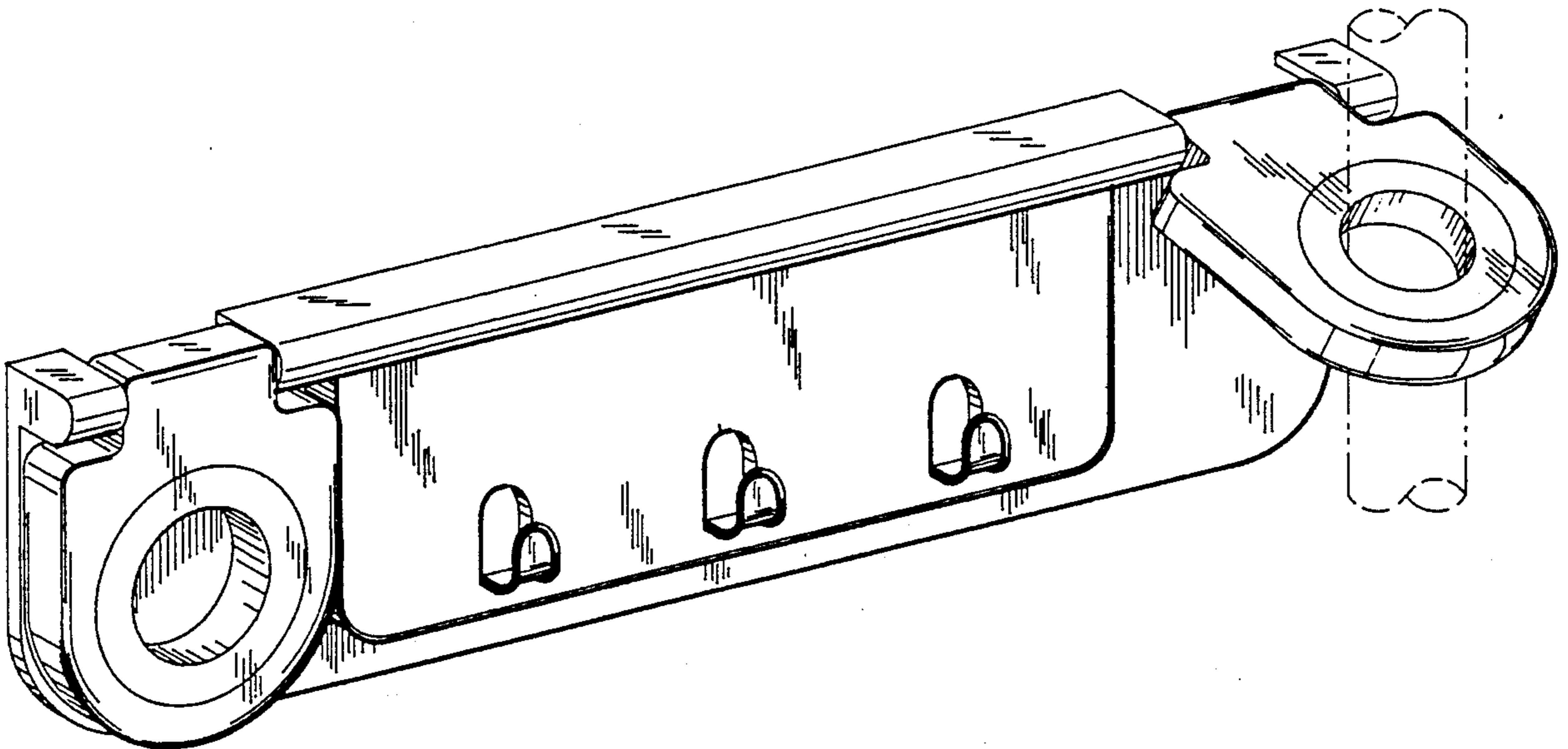
Primary Examiner—Susan J. Lucas
Assistant Examiner—Holly H. Baynham
Attorney, Agent, or Firm—Pearne, Gordon, McCoy & Granger

[57] CLAIM

The ornamental design for a mop and broom rack, as shown and described.

DESCRIPTION

FIG. 1 is a left side, top, front perspective view of a mop and broom rack, showing our new design; FIG. 2 is a front elevational view thereof; FIG. 3 is a top plan view thereof with a fragmentary section taken along line 3—3 of FIG. 2; FIG. 4 is a rear elevational view thereof; FIG. 5 is a sectional view thereof taken along line 5—5 of FIG. 2; and FIG. 6 is a right side elevational view thereof, the left side elevational view being a mirror image. The broken line showing of a mop or broom handle is for illustrative purposes only and forms no part of the claimed design.



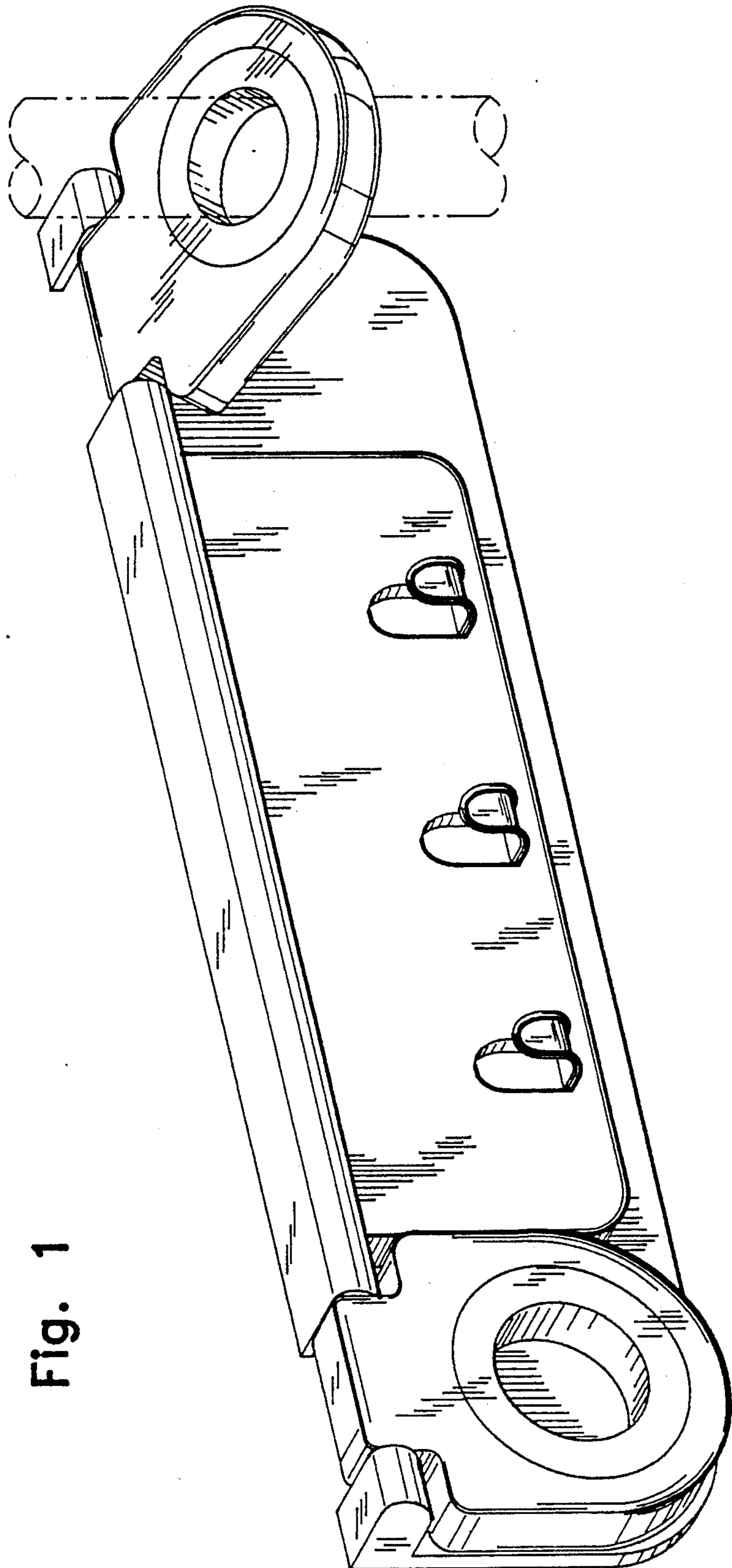


Fig. 1

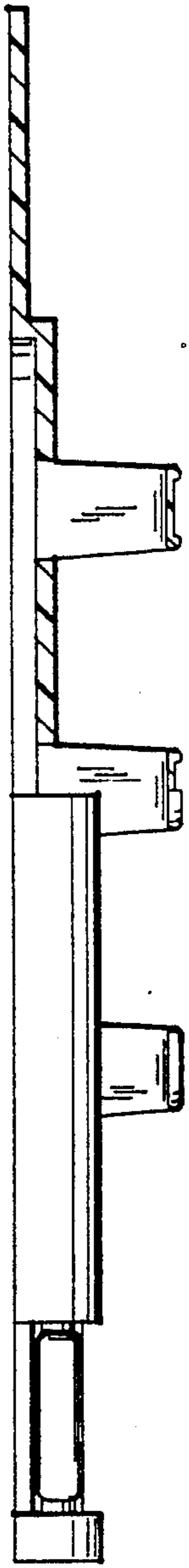


Fig. 3

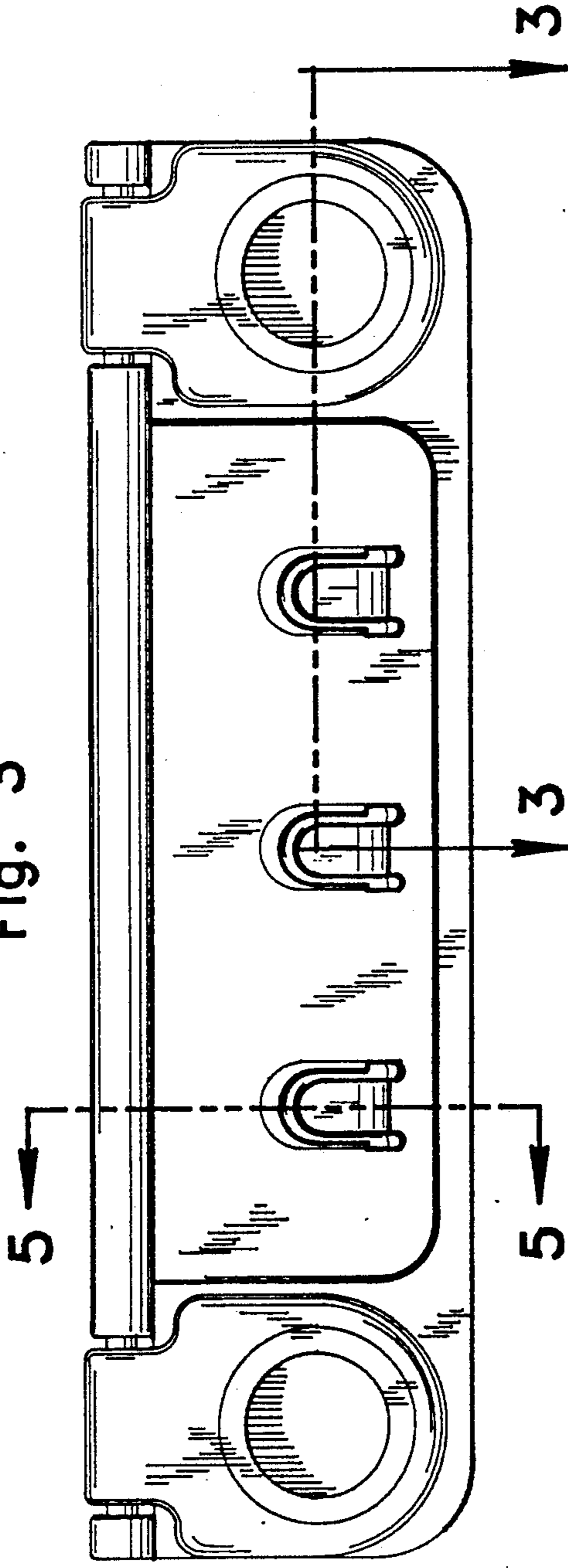


Fig. 2

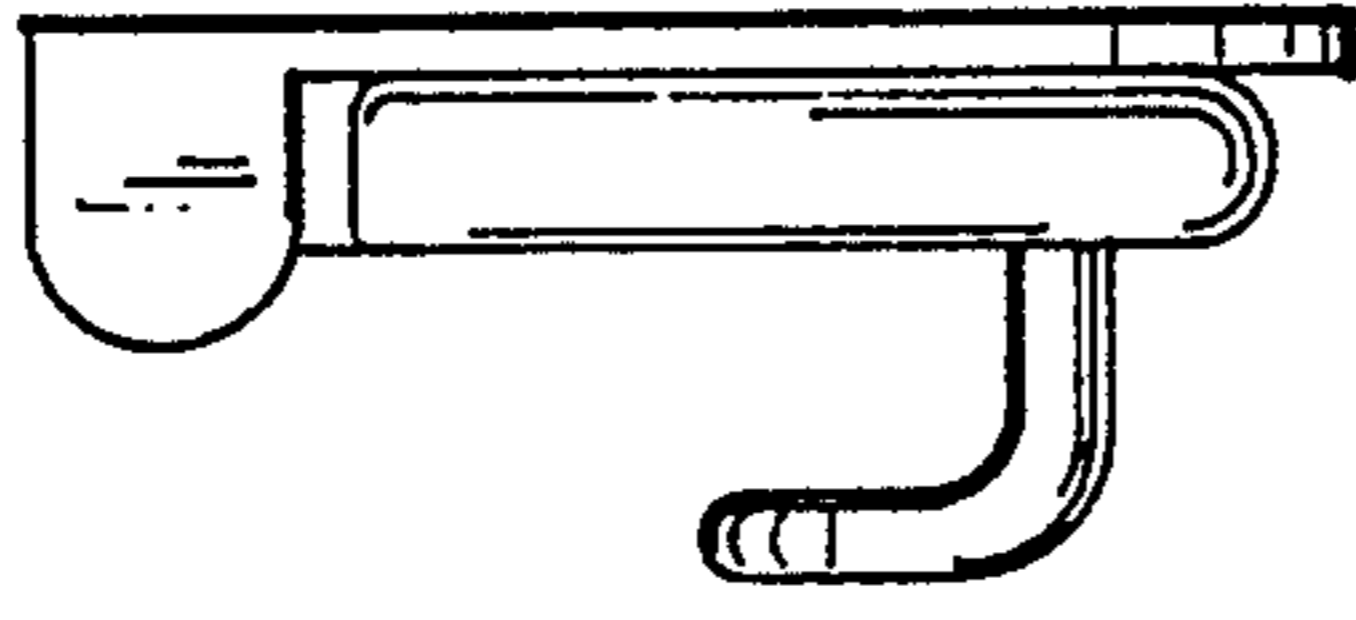


Fig. 6

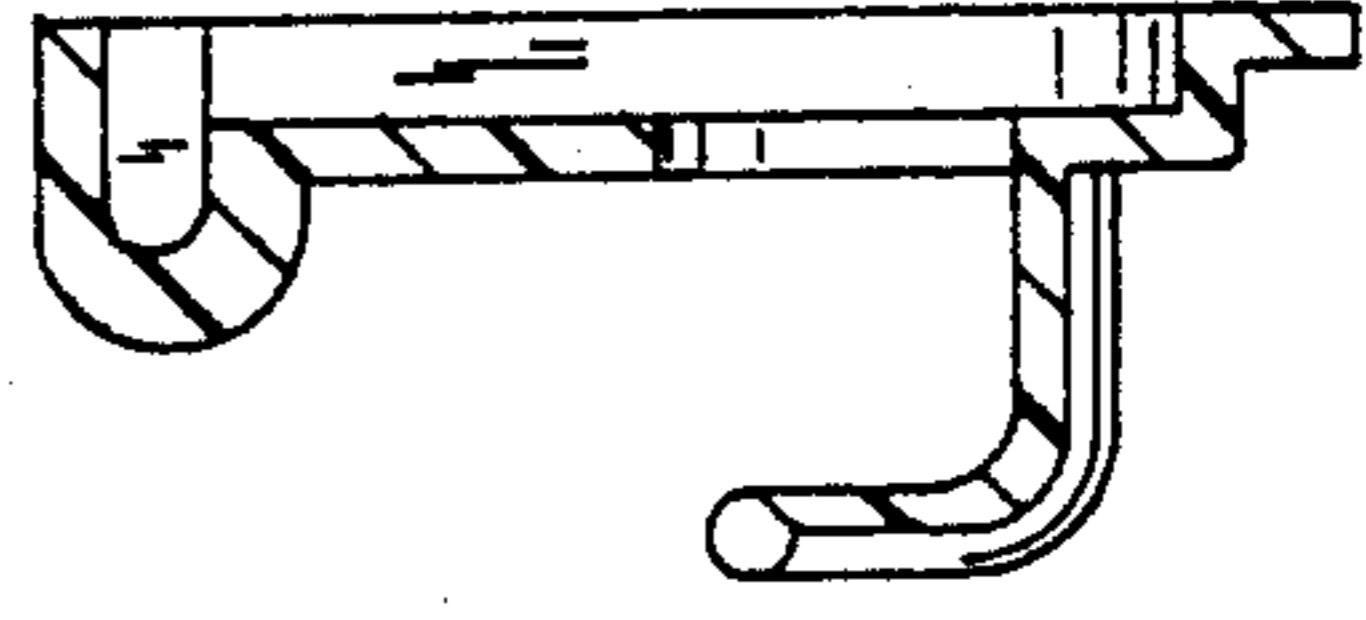


Fig. 5

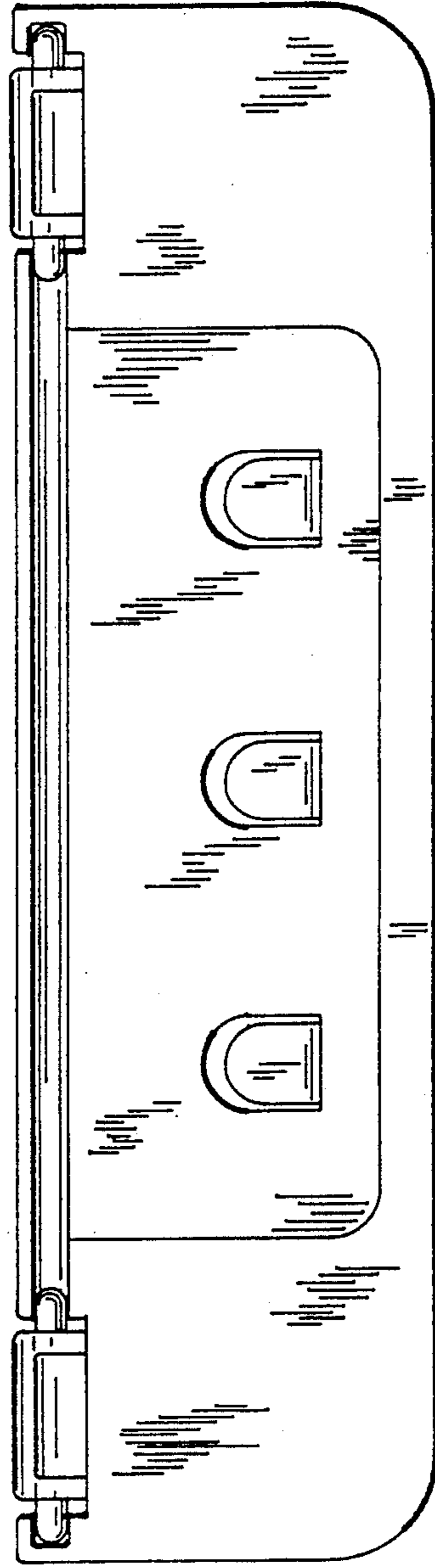


Fig. 4