

[54] FOLDING BALCONY TABLE

1175031 9/1984 Canada .

[76] Inventor: Morley W. Murray, 737 Ouellette Ave., Apt. 1712, Windsor, Ontario, Canada

Primary Examiner—Susan J. Lucas  
Assistant Examiner—Brian N. Vinson  
Attorney, Agent, or Firm—Beveridge, DeGrandi & Weilacher

[\*\*] Term: 14 Years

[57] CLAIM

[21] Appl. No.: 391,844

The ornamental design for a folding balcony table, as shown and described.

[22] Filed: Aug. 10, 1989

DESCRIPTION

[52] U.S. Cl. .... D6/513; D6/574

[58] Field of Search ..... D6/512-513, D6/553, 567, 555, 572, 574; 108/1, 42, 44, 47; 211/86-88, 90, 96, 104, 126, 131-132, 134

FIG. 1 is a top, front, and right side perspective view of a folding balcony table showing my new design, the fragmentary, broken-line depiction of a balcony being for illustrative purposes only and forming no part of the claimed design;

[56] References Cited

U.S. PATENT DOCUMENTS

D. 222,805	4/1972	Osborn	.....	D6/511 X
D. 260,832	9/1981	Verdesca et al.	.....	D6/574 X
D. 285,508	9/1986	Murphy	.....	D6/574 X
D. 305,632	1/1990	Kraklio	.....	D6/555 X
D. 310,459	9/1990	Gipe	.....	D6/574 X
3,042,467	7/1962	Germick	.....	D6/512 X
3,233,563	2/1966	Mauchline	.....	108/44
4,889,057	12/1989	Chartrand	.....	108/42

FIG. 2 is a top plan view thereof;

FIG. 3 is a front elevational view thereof;

FIG. 4 is a right side elevational view thereof, the left side being a mirror image of that shown;

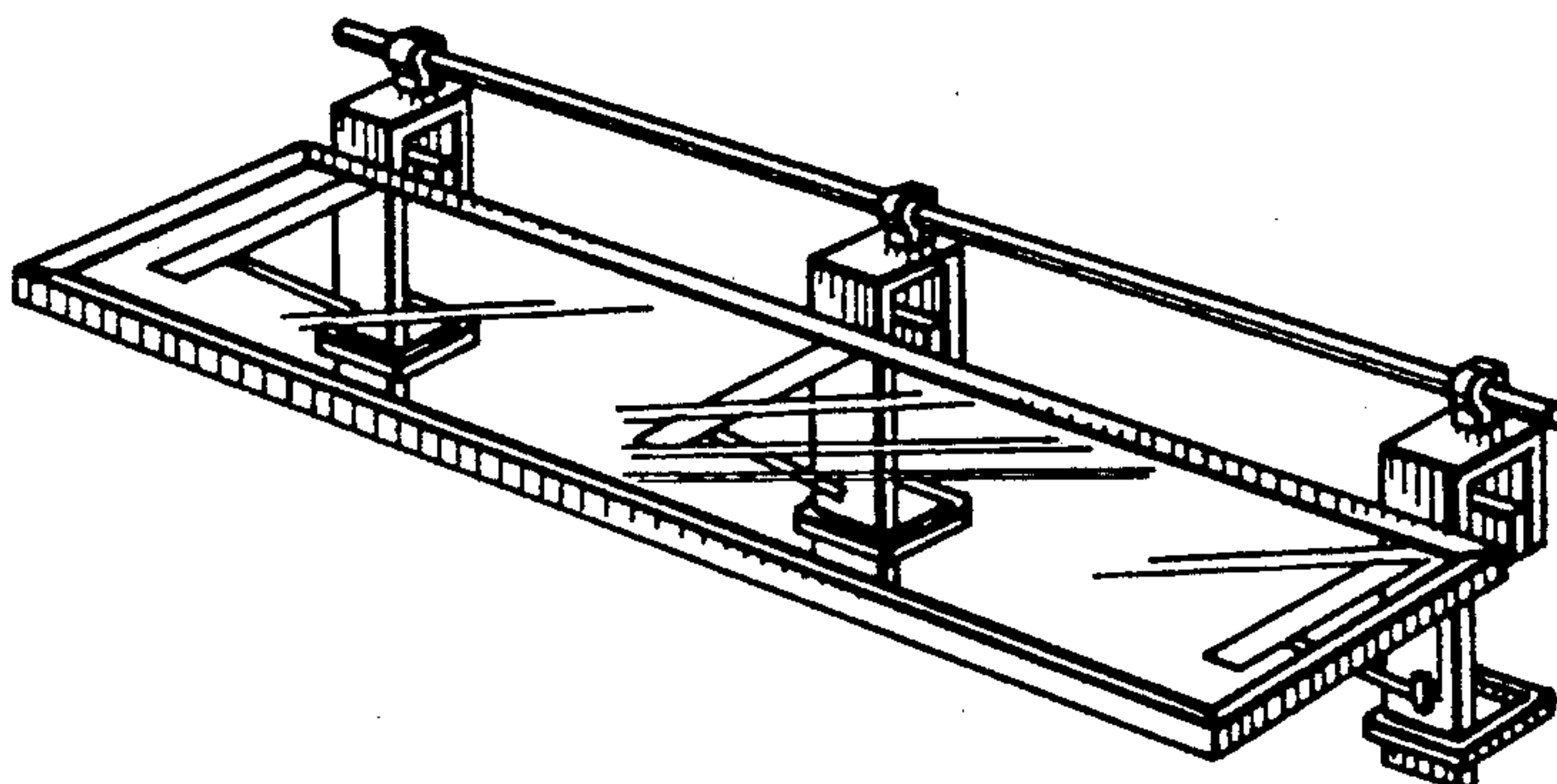
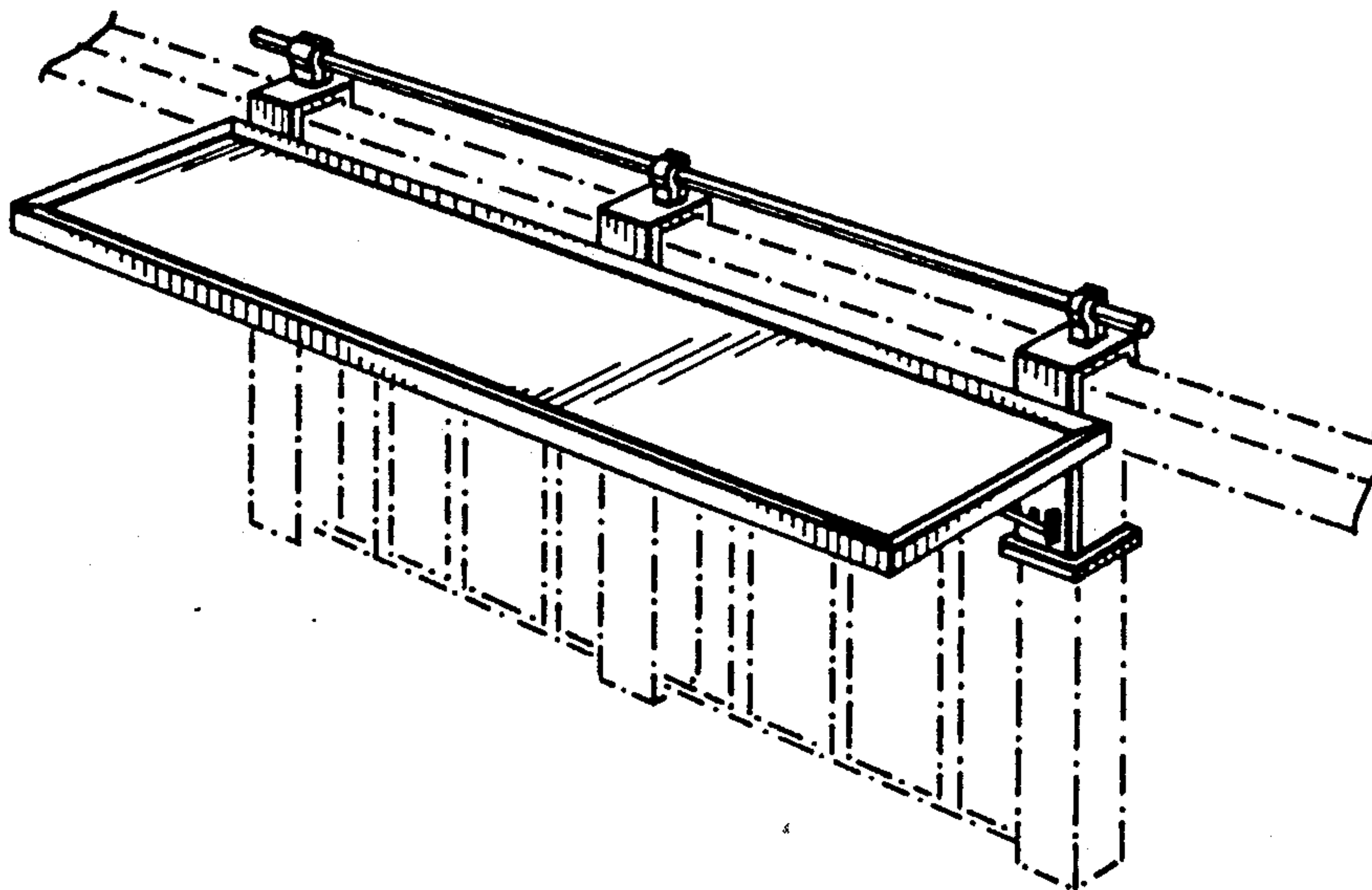
FIG. 5 is a right side elevational view thereof, with the table shown in a collapsed position;

FIG. 6 is a top, front, and right side perspective view thereof, with the table shown in a collapsed position; and

FOREIGN PATENT DOCUMENTS

708482	4/1965	Canada .
1128913	8/1982	Canada .

FIG. 7 is a top, front, and right side perspective view of an alternative embodiment thereof, the only difference residing in the substitution of a transparent for an opaque top.



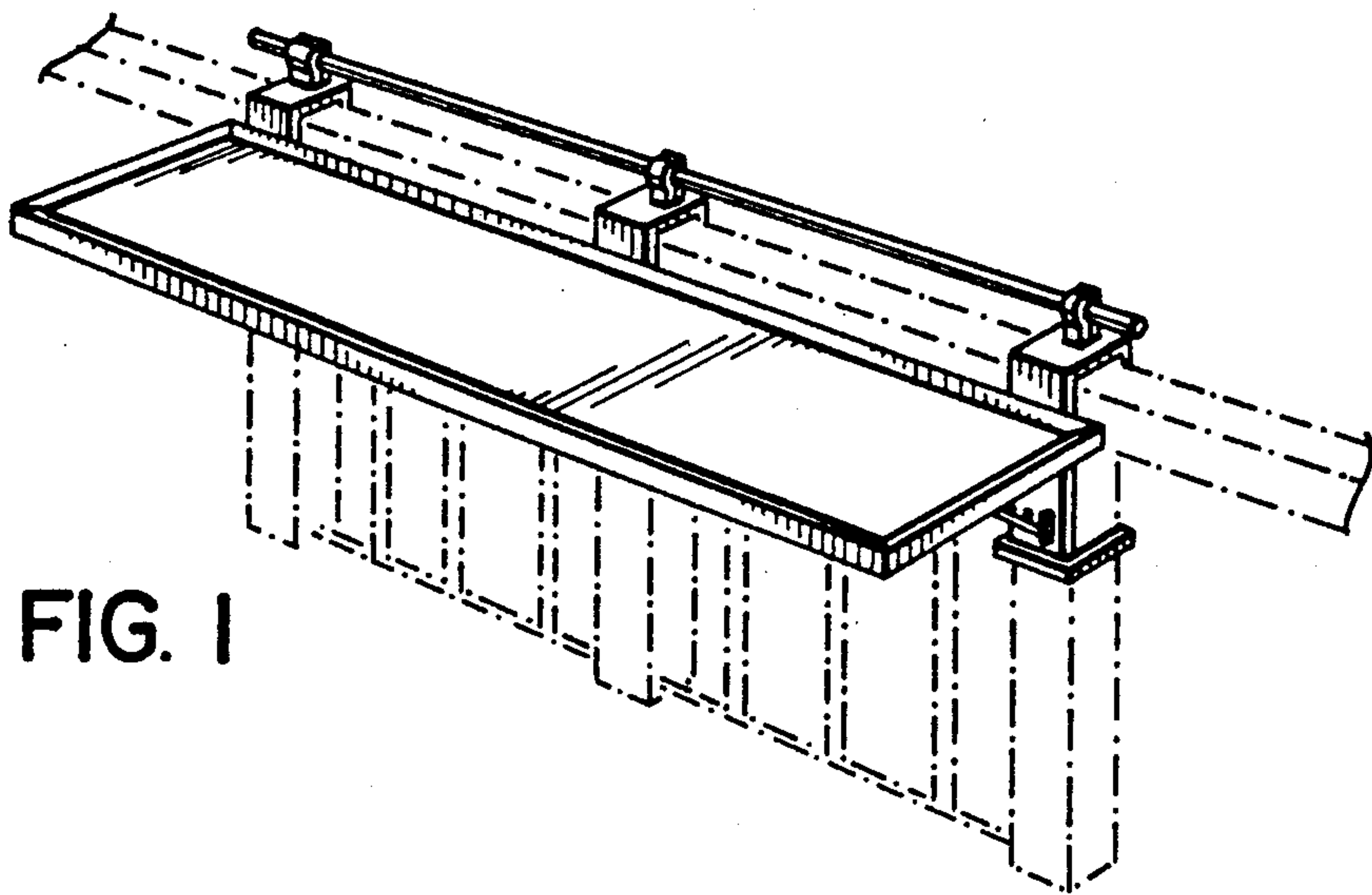


FIG. 1

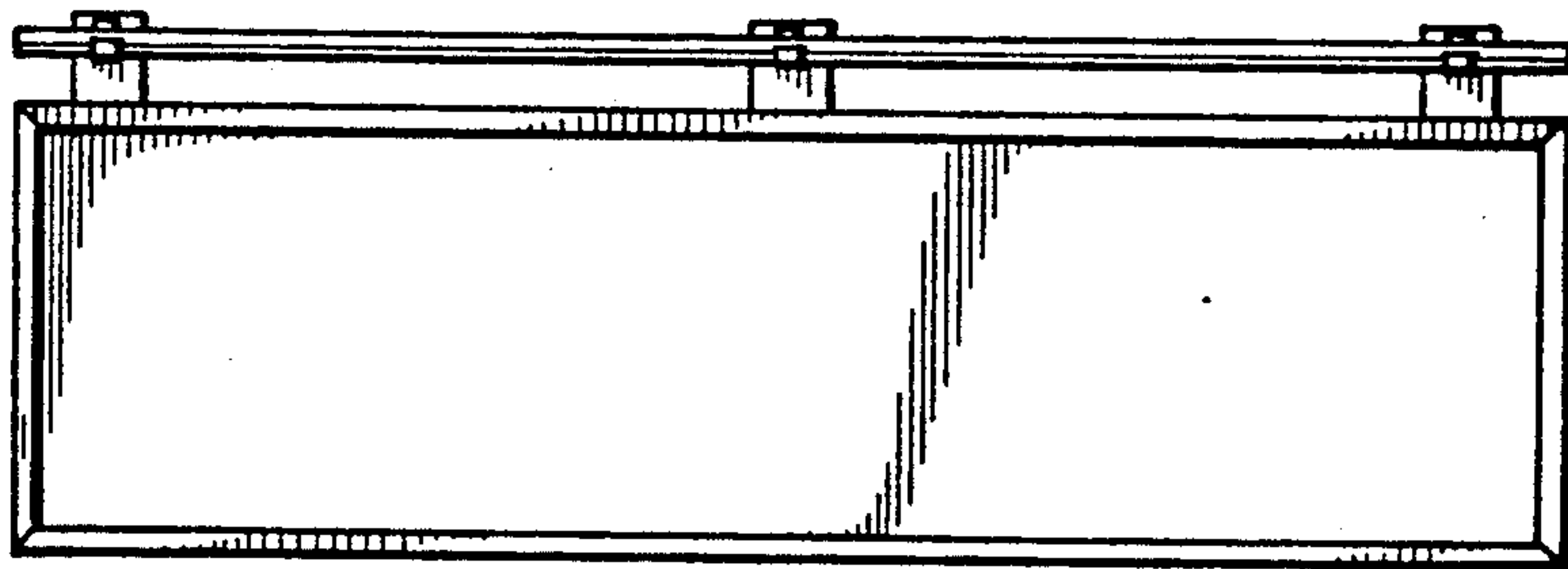


FIG. 2

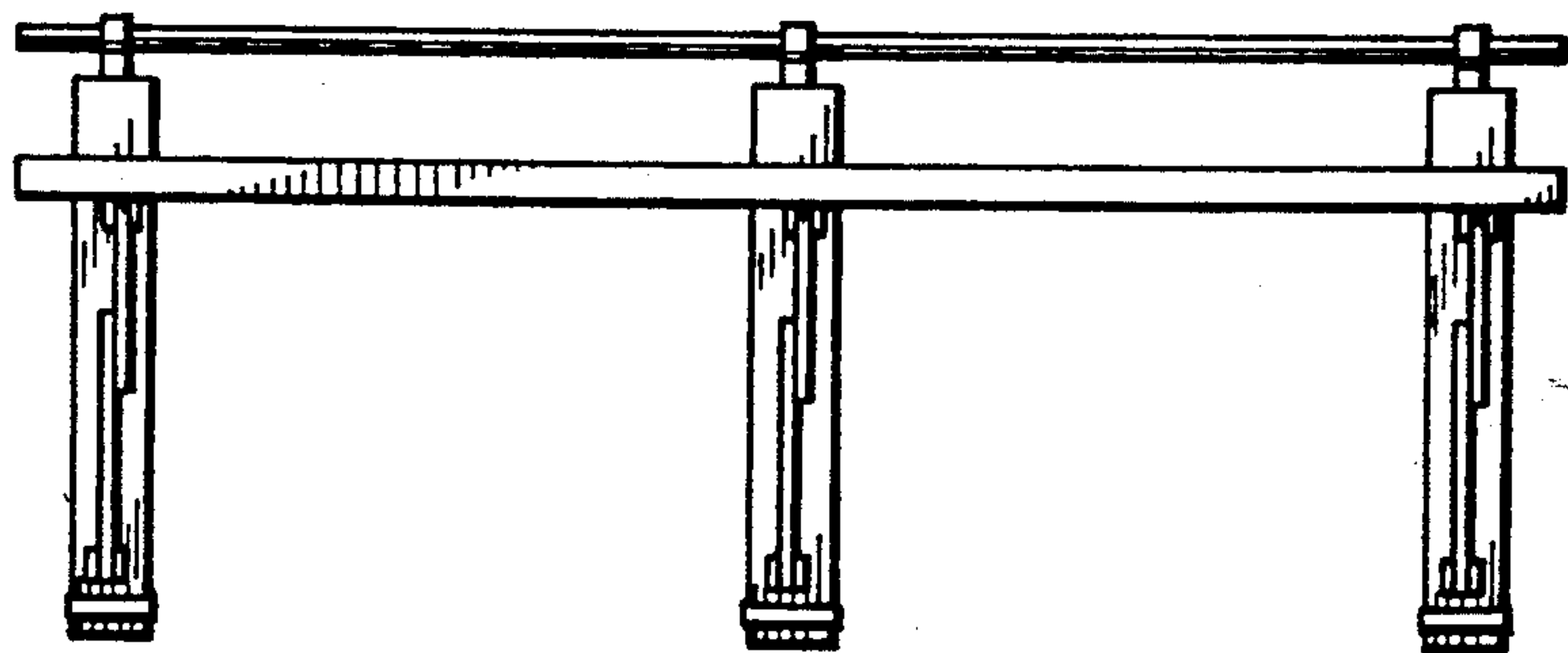


FIG. 3

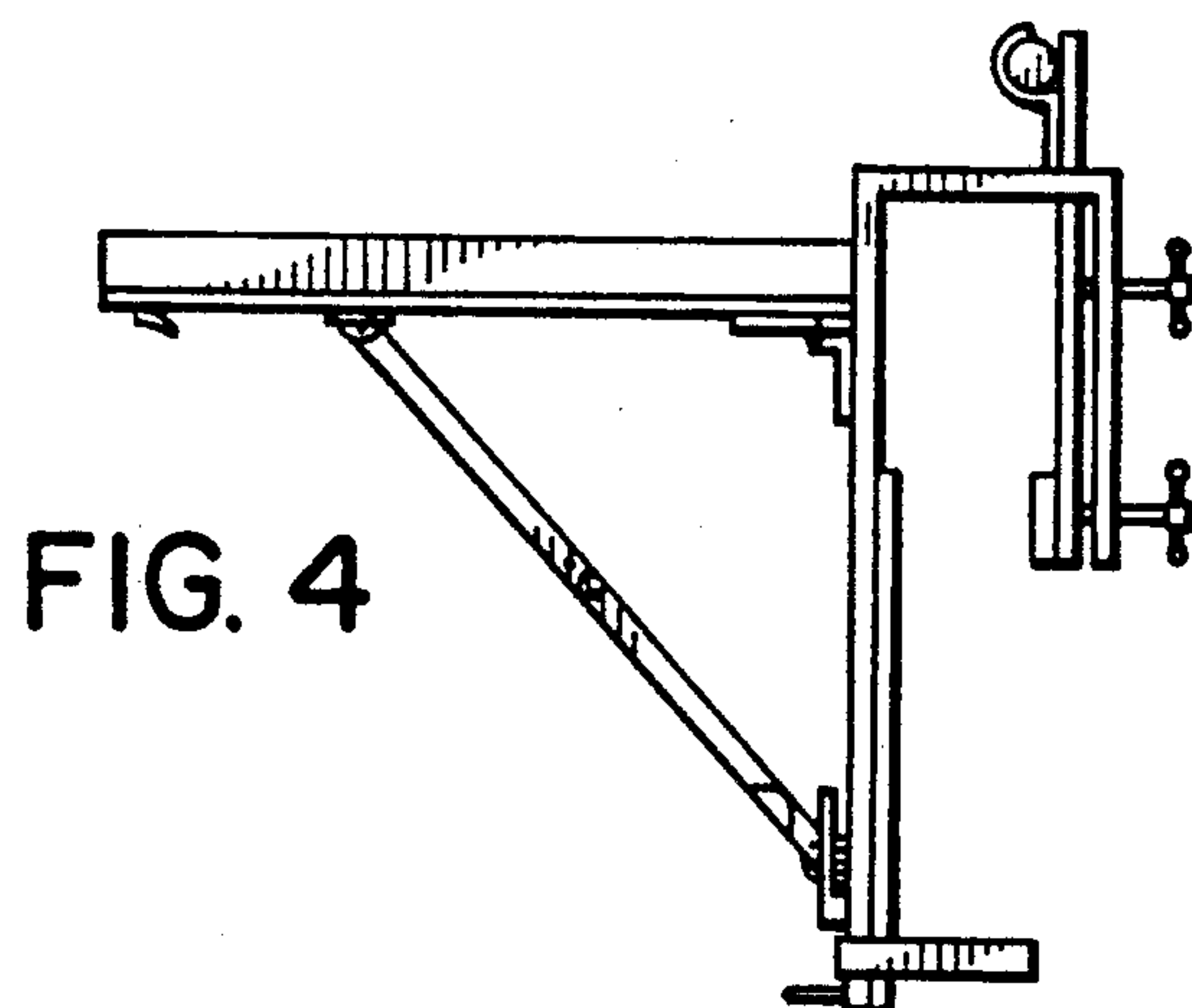


FIG. 4

FIG. 5

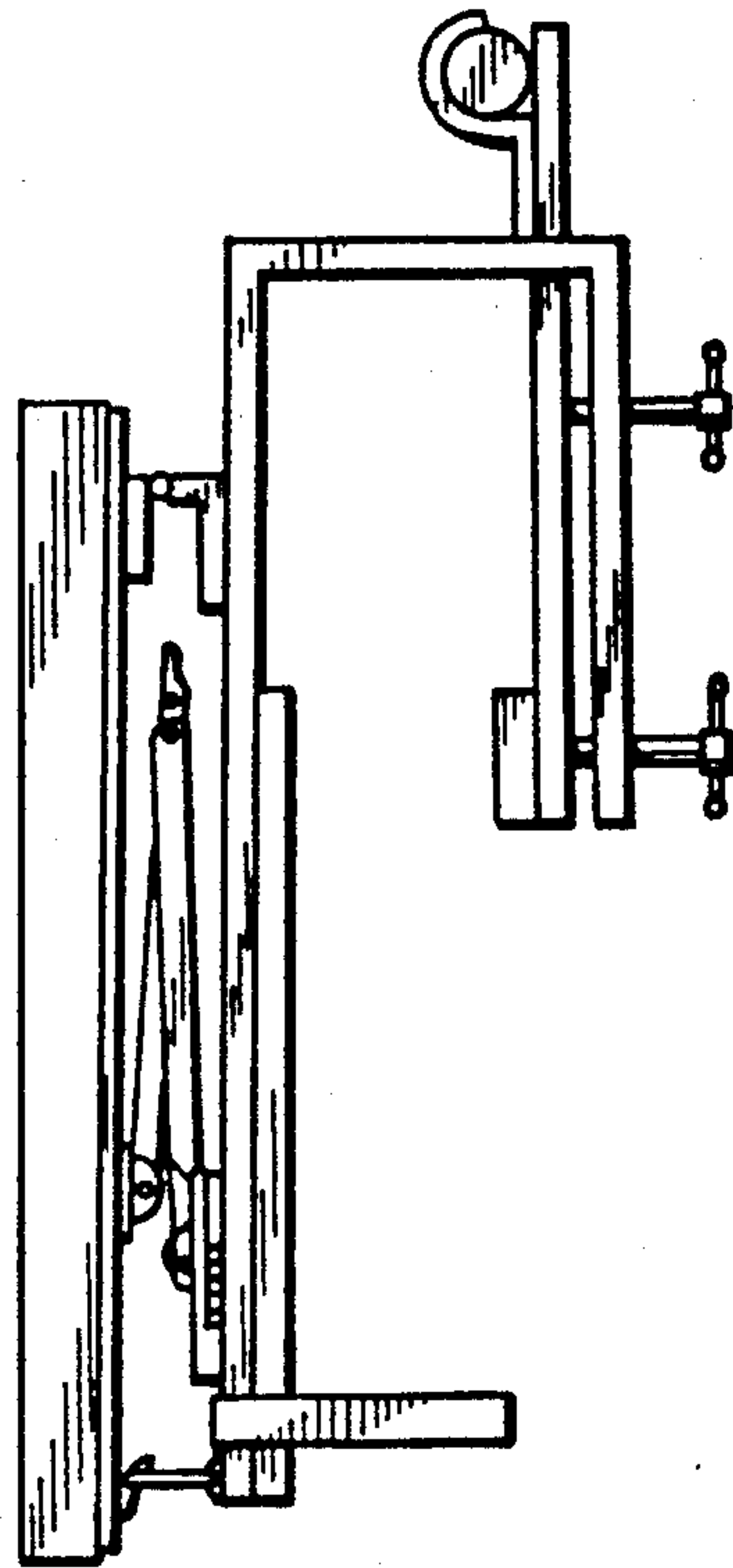


FIG. 6

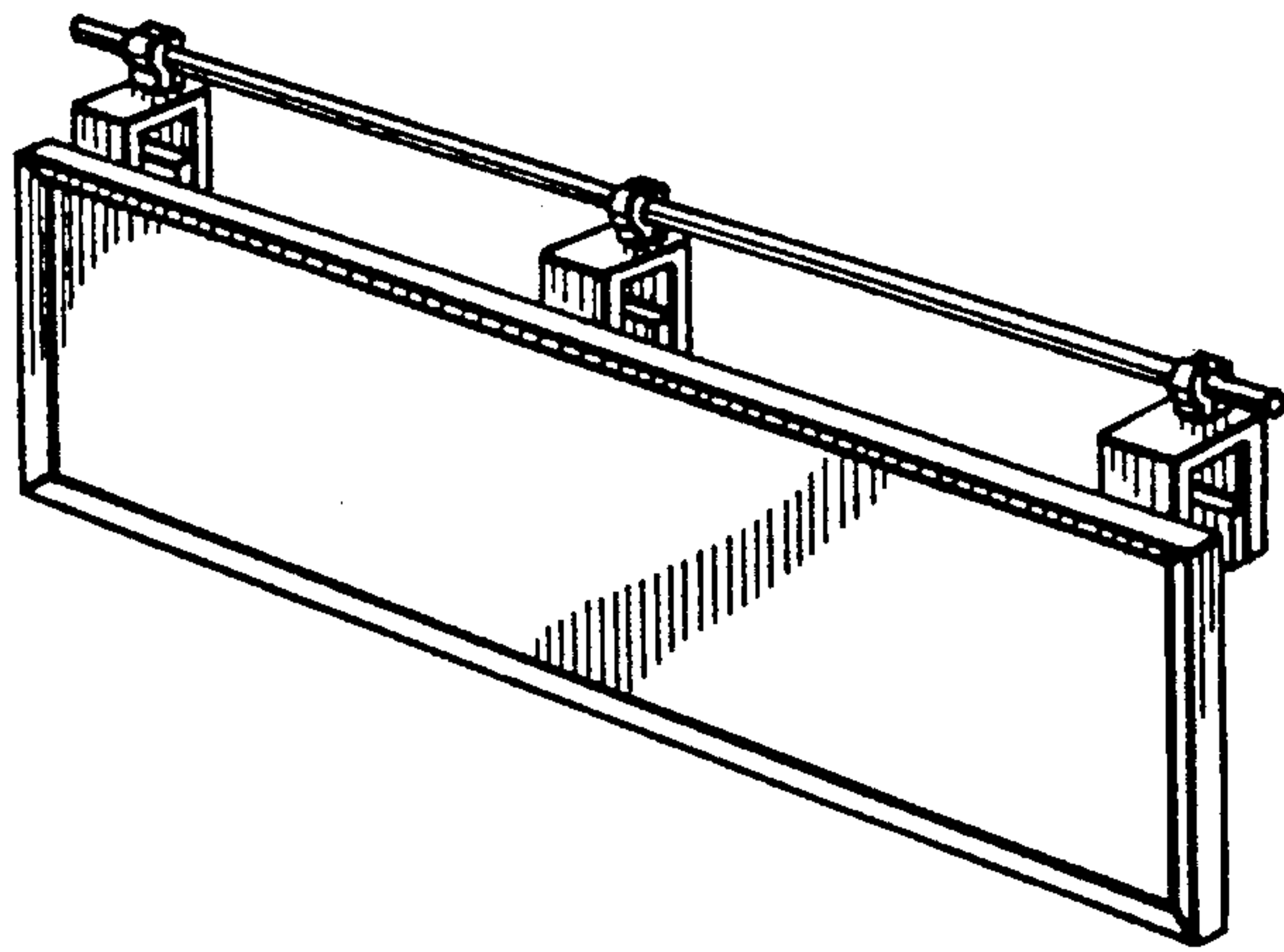


FIG. 7

