

[54] FOLDABLE TABLE

[76] Inventor: Nicholas Polidoros, 135 Landscape Drive, East Doncaster, Victoria, 3109, Australia

[**] Term: 14 Years

[21] Appl. No.: 169,346

[22] Filed: Mar. 17, 1988

[52] U.S. Cl. D6/429; D6/487

[58] Field of Search D6/429, 335, 336, 338, D6/397, 477, 480, 484, 487

[56] References Cited

U.S. PATENT DOCUMENTS

- D. 252,925 9/1979 Petersen D6/480 X
- D. 266,548 10/1982 Huber, Jr. D6/480
- D. 284,819 7/1986 Shaw et al. D6/484 X
- D. 291,266 8/1987 Lin et al. D6/429 X

OTHER PUBLICATIONS

Garden Ideas & Outdoor Living, Better Homes & Gardens, 1970, p. 2, item 1, Table at upper left.

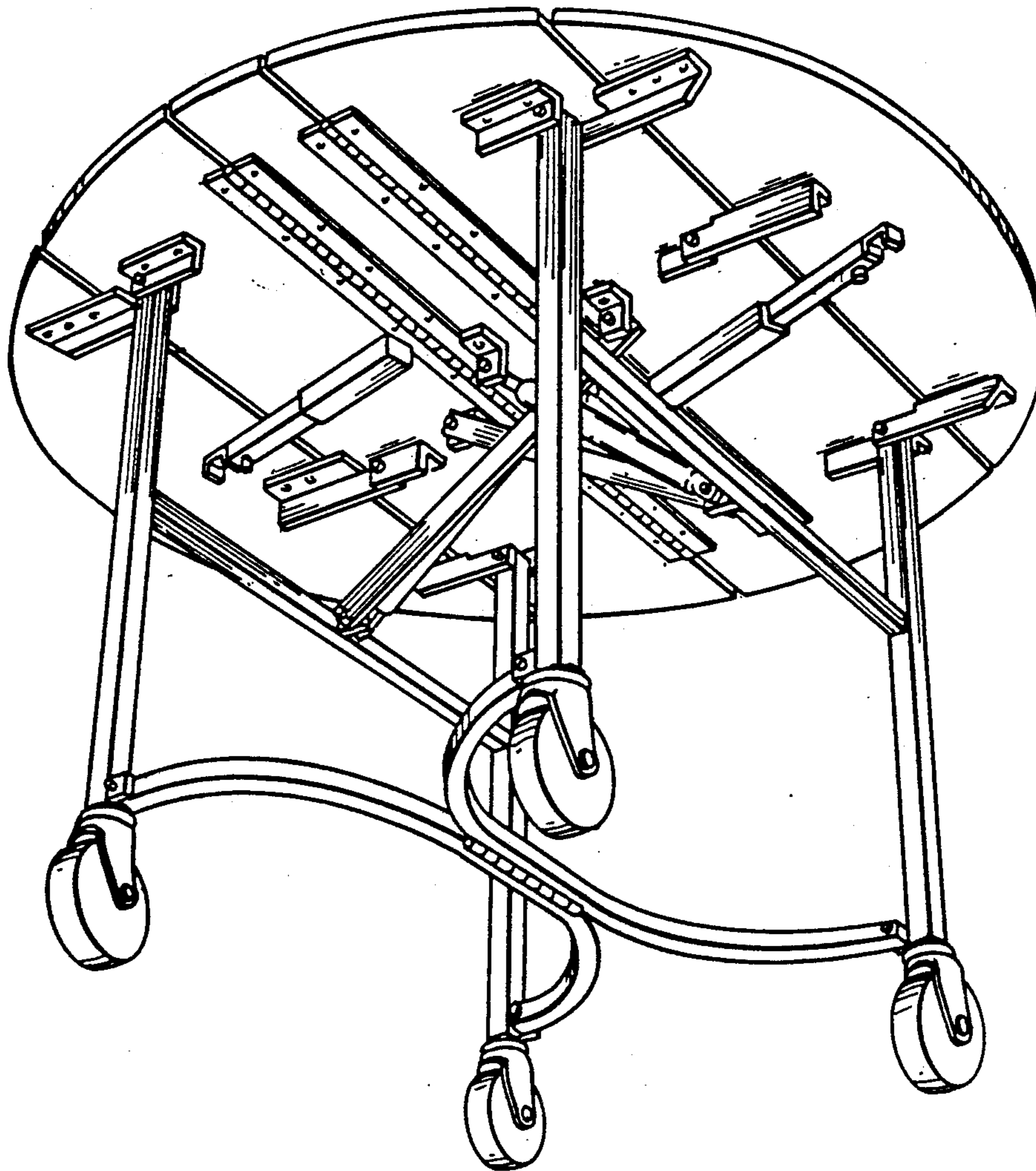
Primary Examiner—Bruce W. Dunkins
Assistant Examiner—Janice Seeger
Attorney, Agent, or Firm—Dennison, Meserole, Pollack & Scheiner

[57] CLAIM

The ornamental design for a foldable table, as shown and described.

DESCRIPTION

FIG. 1 is a top plan view of a foldable table, showing my new design;
FIG. 2 is a side elevational view on an enlarged scale, the opposite side being a mirror image thereof;
FIG. 3 is a side elevational view on an enlarged scale of the foldable table in folded condition;
FIG. 4 is a sectional view taken along the line 4—4 of FIG. 2 and looking in the direction of the arrows thereof;
FIG. 5 is a bottom perspective view.



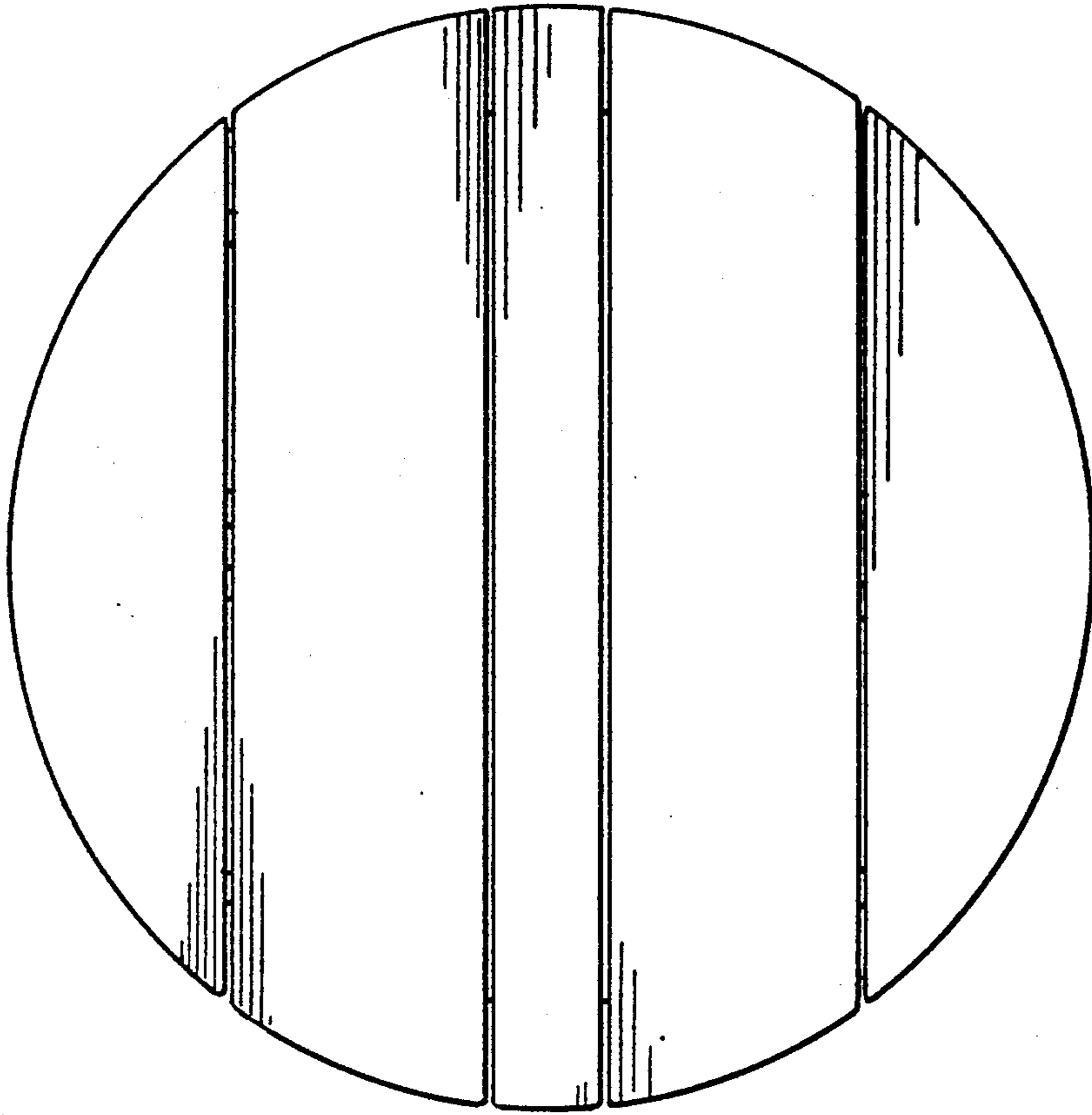


FIG. 1.

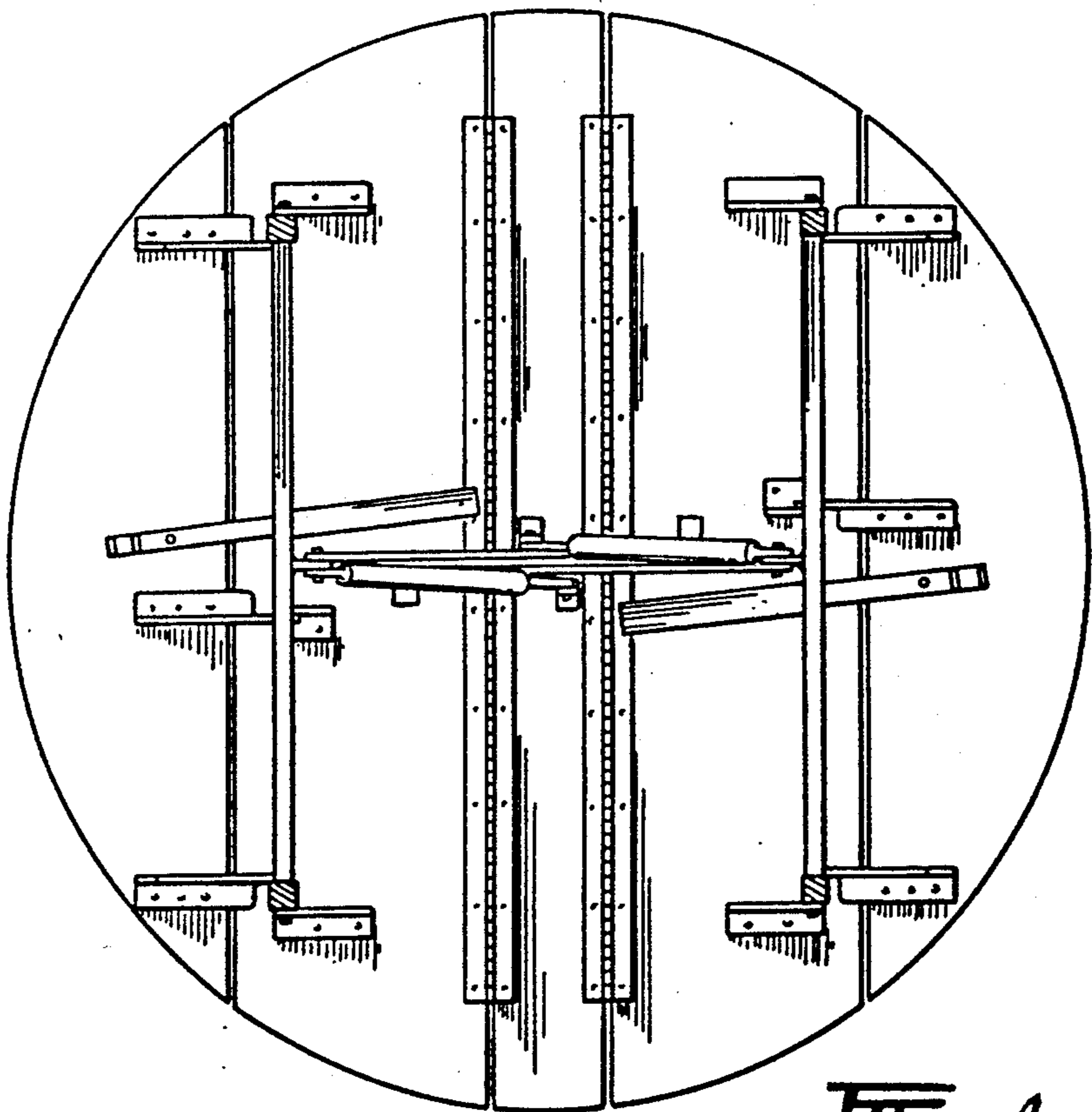
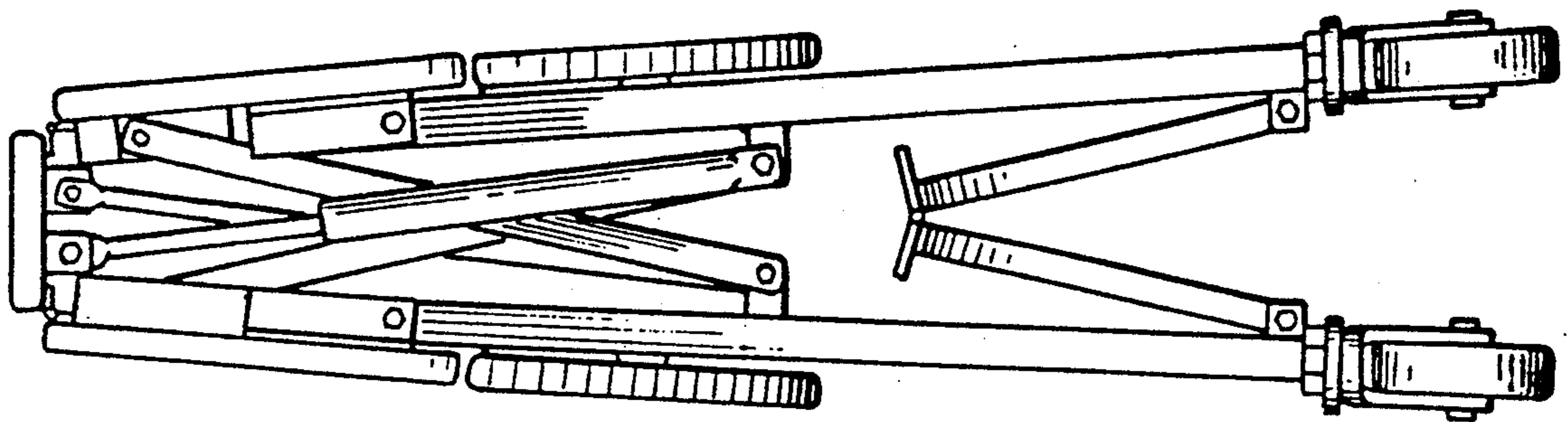
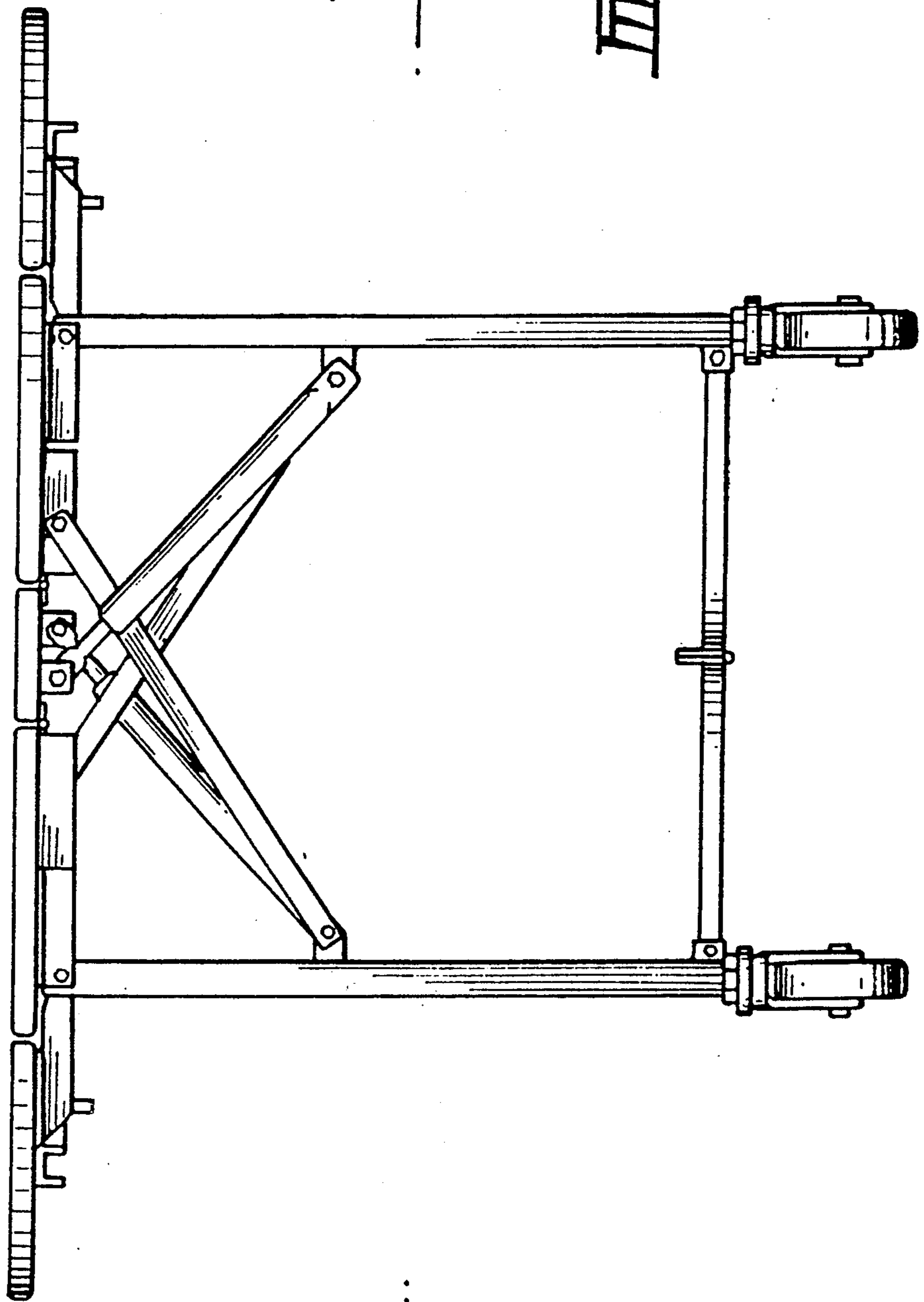


FIG. 4.



III-3.

III-2.



4 L.

4

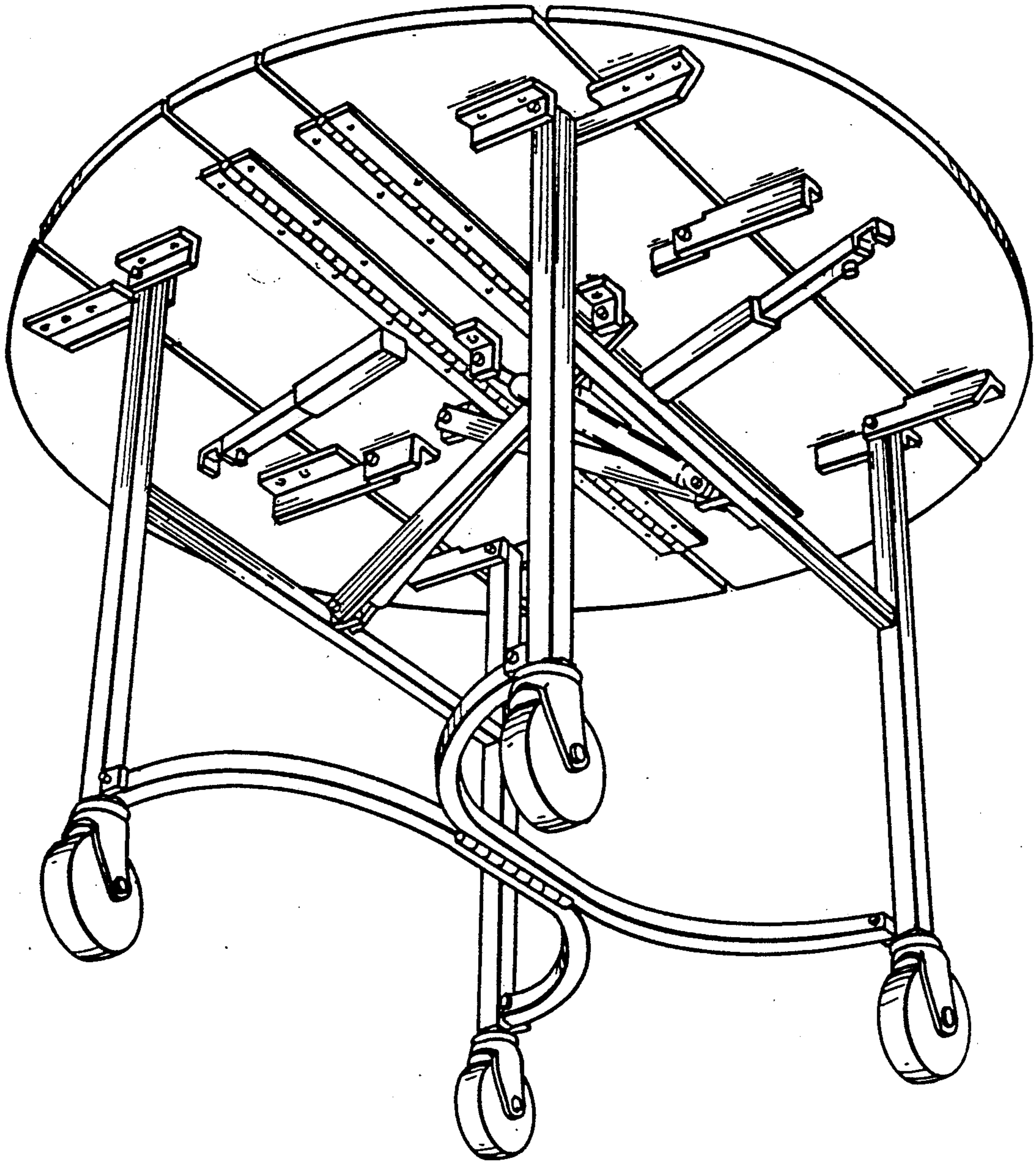


FIG. 5.