

[54] DESK

[75] Inventor: Thomas J. Newhouse, Grand Rapids, Mich.

[73] Assignee: Herman Miller, Inc., Zeeland, Mich.

[**] Term: 14 Years

[21] Appl. No.: 544,852

[22] Filed: Jun. 27, 1990

Related U.S. Application Data

[62] Division of Ser. No. 57,830, Jun. 2, 1987, Pat. No. Des. 311,833.

[52] U.S. Cl. D6/428

[58] Field of Search D6/422-428, D6/480-484; 312/194-196

[56] References Cited

U.S. PATENT DOCUMENTS

- D. 202,196 9/1965 Beckman .
- D. 202,197 9/1965 Beckman .
- D. 208,709 9/1967 Barecki .
- D. 239,350 3/1976 Vogt .
- D. 281,299 11/1985 Esslinger .
- D. 298,289 11/1988 Stumpf .
- 3,635,174 1/1972 Ball et al. .

- 3,786,765 1/1974 Burr .
- 4,126,230 11/1978 Tyson et al. .
- 4,287,837 9/1981 Bayles .
- 4,296,981 10/1981 Hildebrandt et al. .
- 4,323,291 4/1982 Ball .
- 4,555,150 11/1985 Turnbull .
- 4,618,192 10/1986 Kelley .

FOREIGN PATENT DOCUMENTS

2160221 12/1971 Fed. Rep. of Germany .

OTHER PUBLICATIONS

Page 22 of *Interiors Magazine* from 12/72.

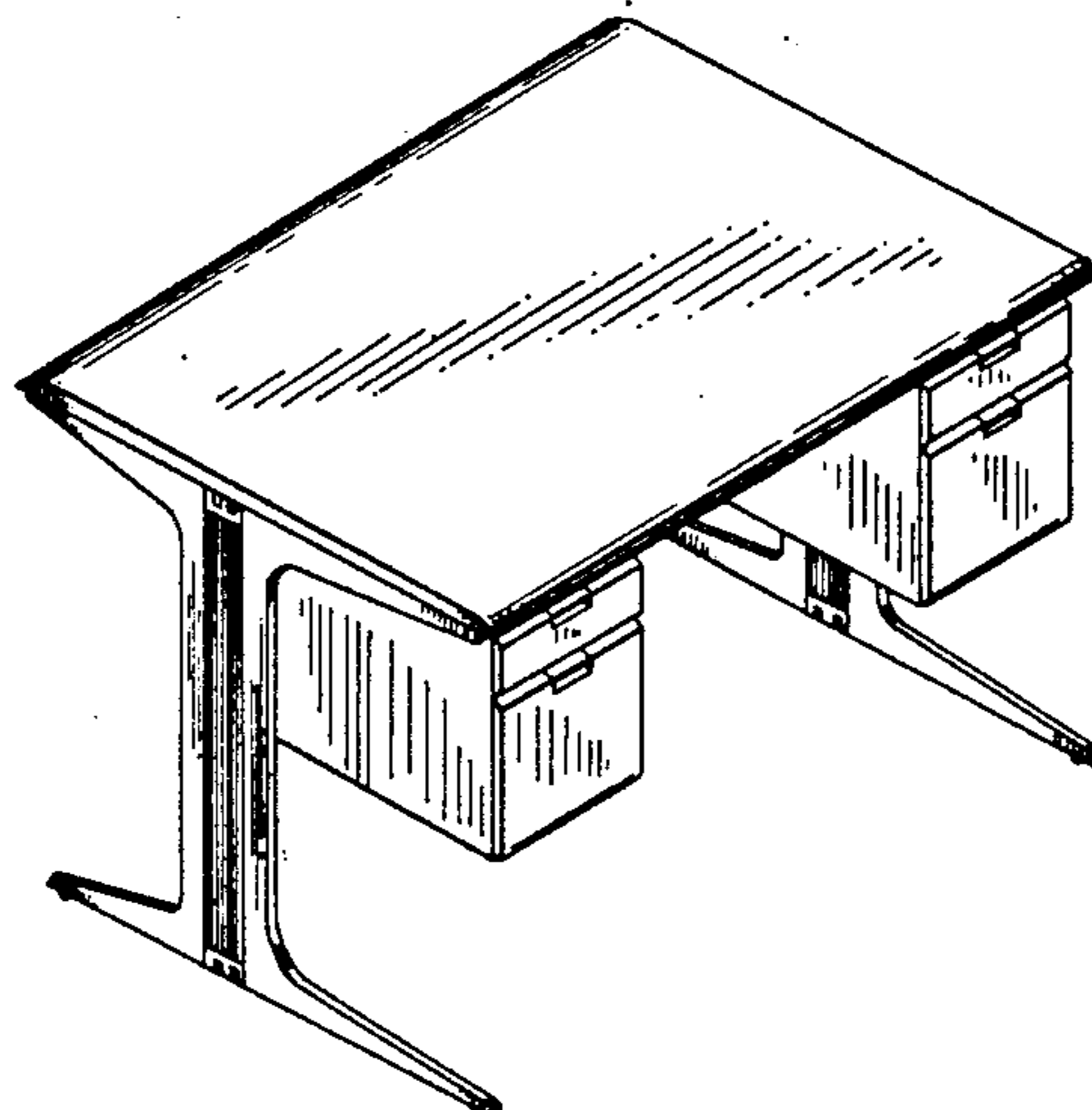
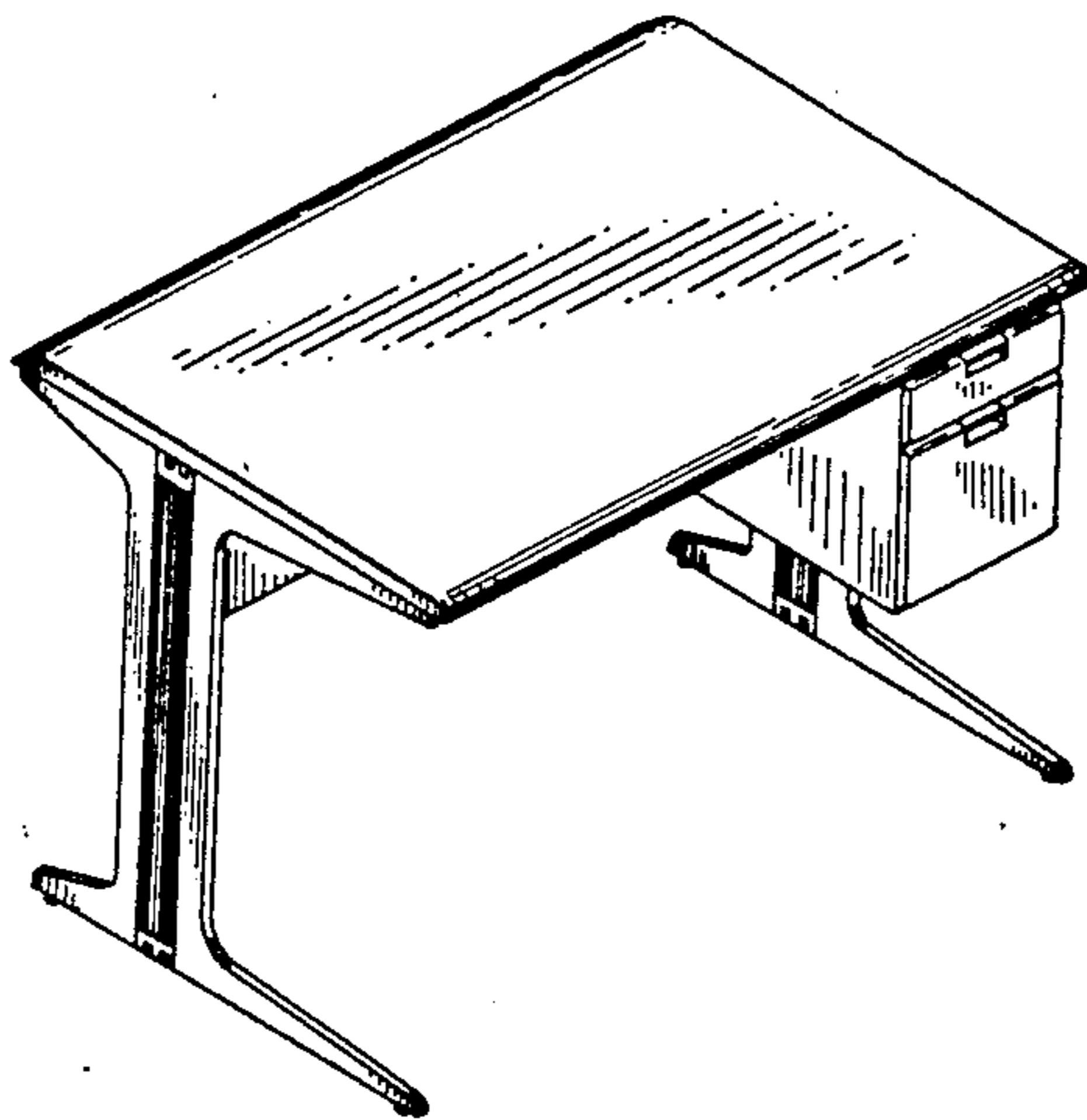
Primary Examiner—Carmen H. Vales-Lado
Attorney, Agent, or Firm—Varnum, Riddering, Schmidt & Howlett

[57] CLAIM

The ornamental design for a desk, as shown and described.

DESCRIPTION

FIG. 1 is a rear perspective view of a desk showing my new design;
FIG. 2 is a front perspective view thereof;
FIG. 3 is a rear perspective view of a modified form of my design; and
FIG. 4 is a front perspective view thereof.



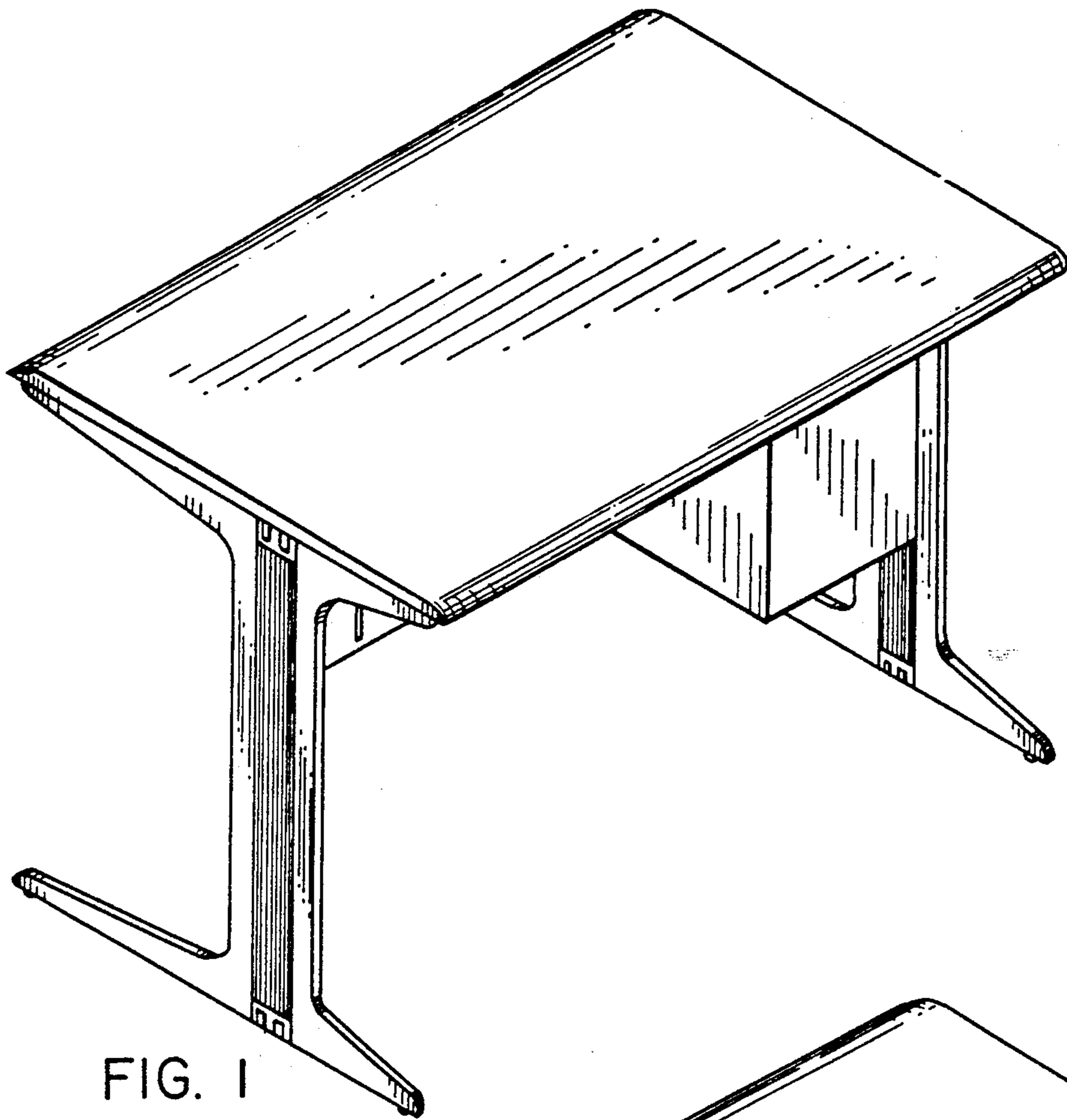


FIG. 1

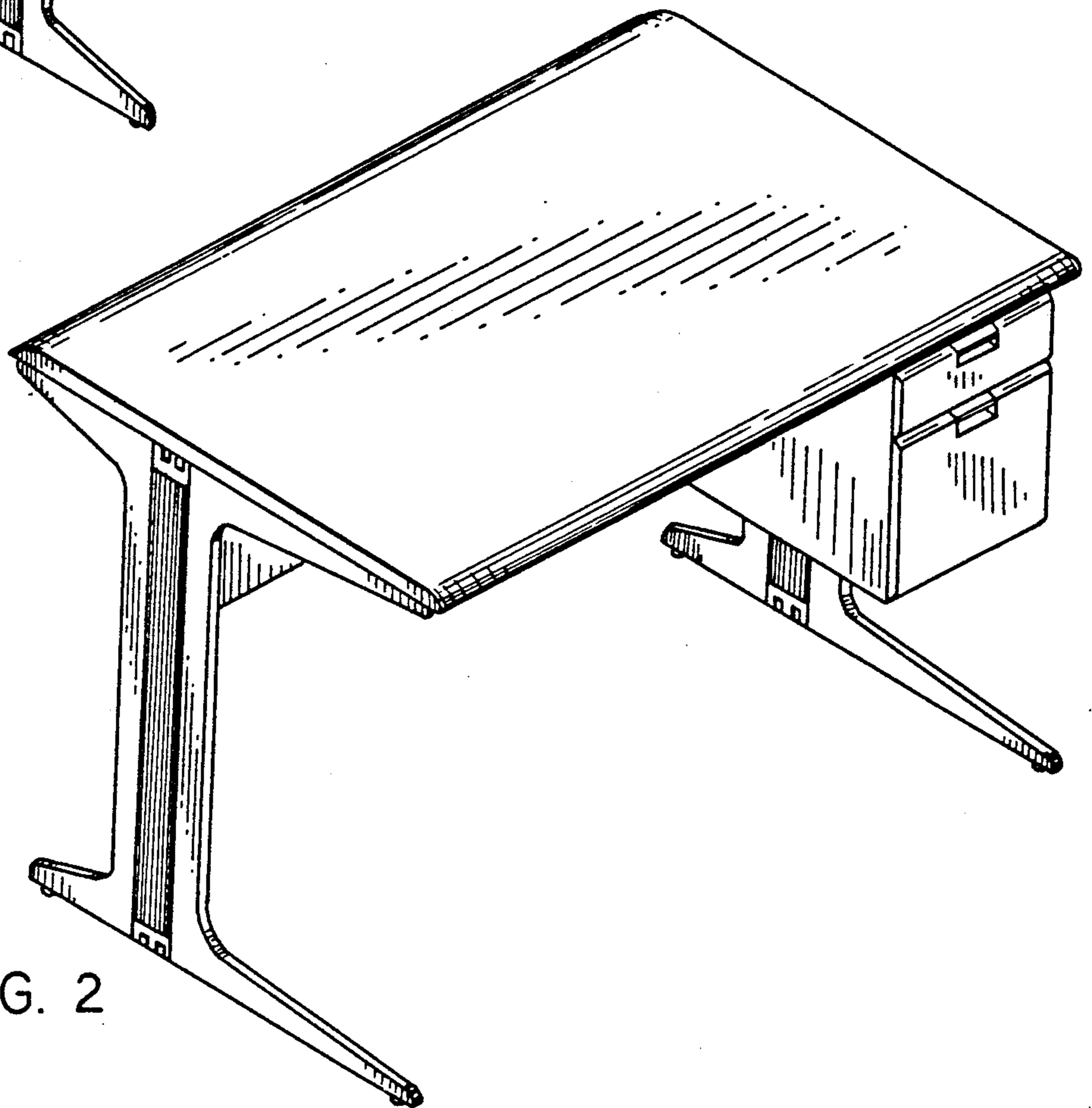


FIG. 2

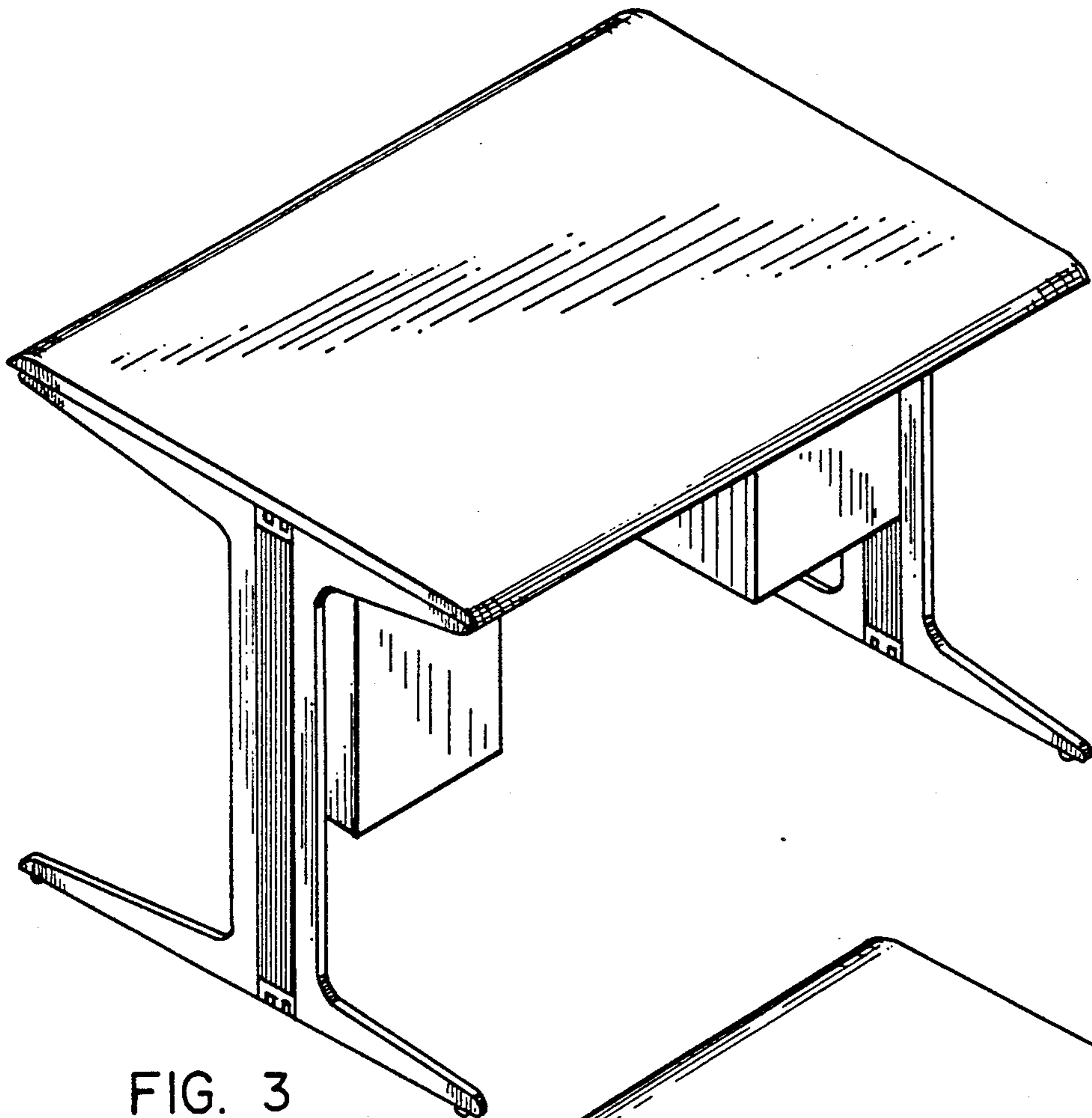


FIG. 3

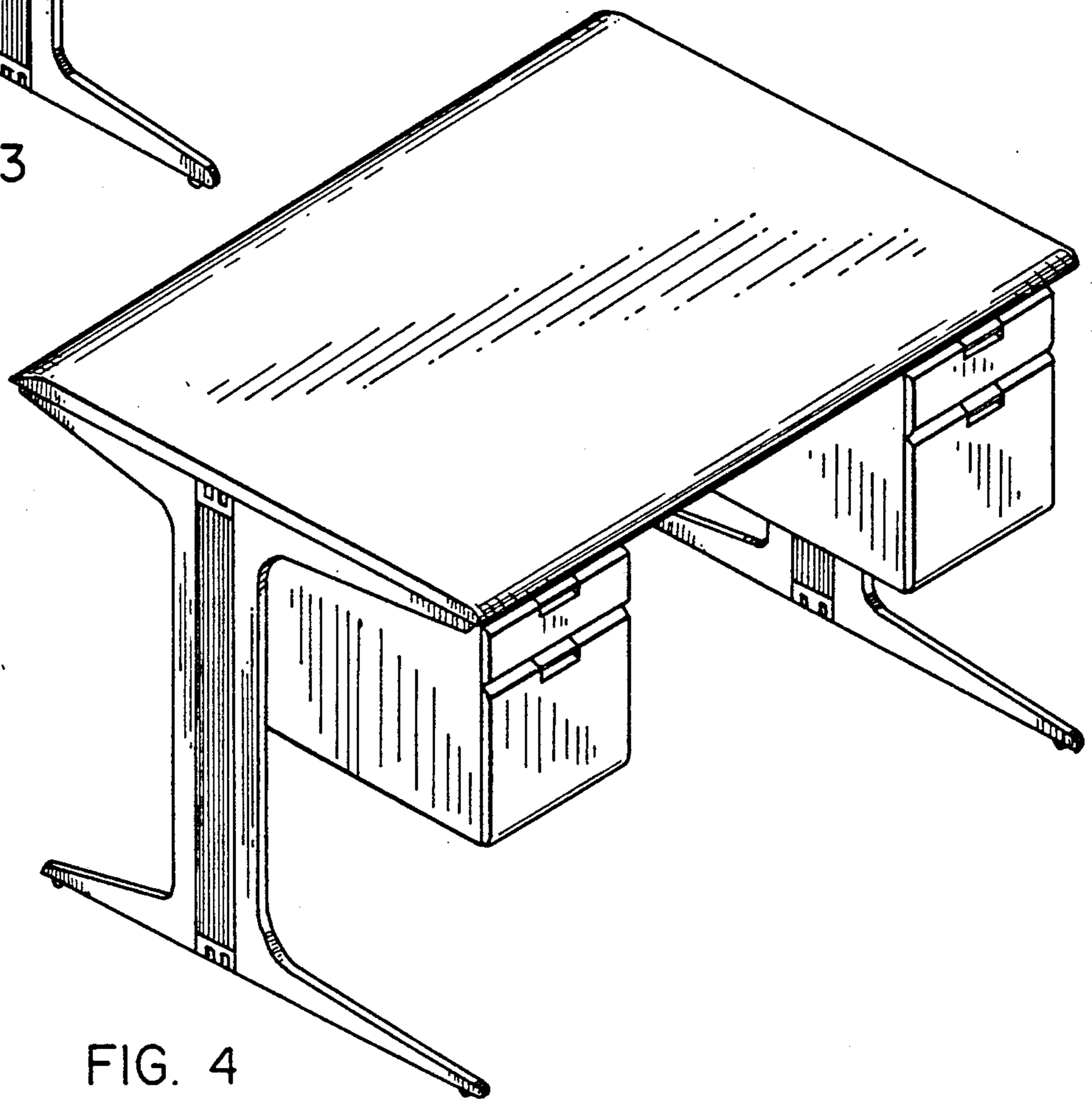


FIG. 4