

[54] MOBILE APPAREL DISPLAY RACK

D. 265,872 8/1982 Rekow D6/411
D. 312,737 12/1990 Glassenberg D6/415

[75] Inventors: James Terrell; Gunji Tachikawa, both of New York; John Cedelnik, Yorktown Heights; Ellen Daniel; Jo Miller, both of New York; Allen McNeary, Brooklyn; Robert Bernard, New York; Elisabeth Ortenberg, Fire Island, all of N.Y.

OTHER PUBLICATIONS

The Chandelite Collection, "Aspen WL 660", Display Rack on page.

Primary Examiner—Carmen H. Vales-Lado
Attorney, Agent, or Firm—Kirschstein, Ottinger, Israel & Schiffmiller

[73] Assignee: Liz Claiborne, Inc., New York, N.Y.

[57] CLAIM

[**] Term: 14 Years

The ornamental design for a mobile apparel display rack, as shown.

[21] Appl. No.: 250,430

DESCRIPTION

[22] Filed: Sep. 28, 1988

[52] U.S. Cl. D6/415

[58] Field of Search D6/411-415,
D6/455-462; 211/13, 133, 163

FIG. 1 is a perspective view of a mobile apparel display rack showing our new design;
FIG. 2 is a top plan view thereof;
FIG. 3 is a left side elevational view thereof;
FIG. 4 is a rear elevational view thereof;
FIG. 5 is a right side elevational view thereof;
FIG. 6 is a front elevational view thereof; and
FIG. 7 is a bottom plan view thereof.

[56] References Cited

U.S. PATENT DOCUMENTS

D. 228,538 10/1973 Cohen D6/415 X

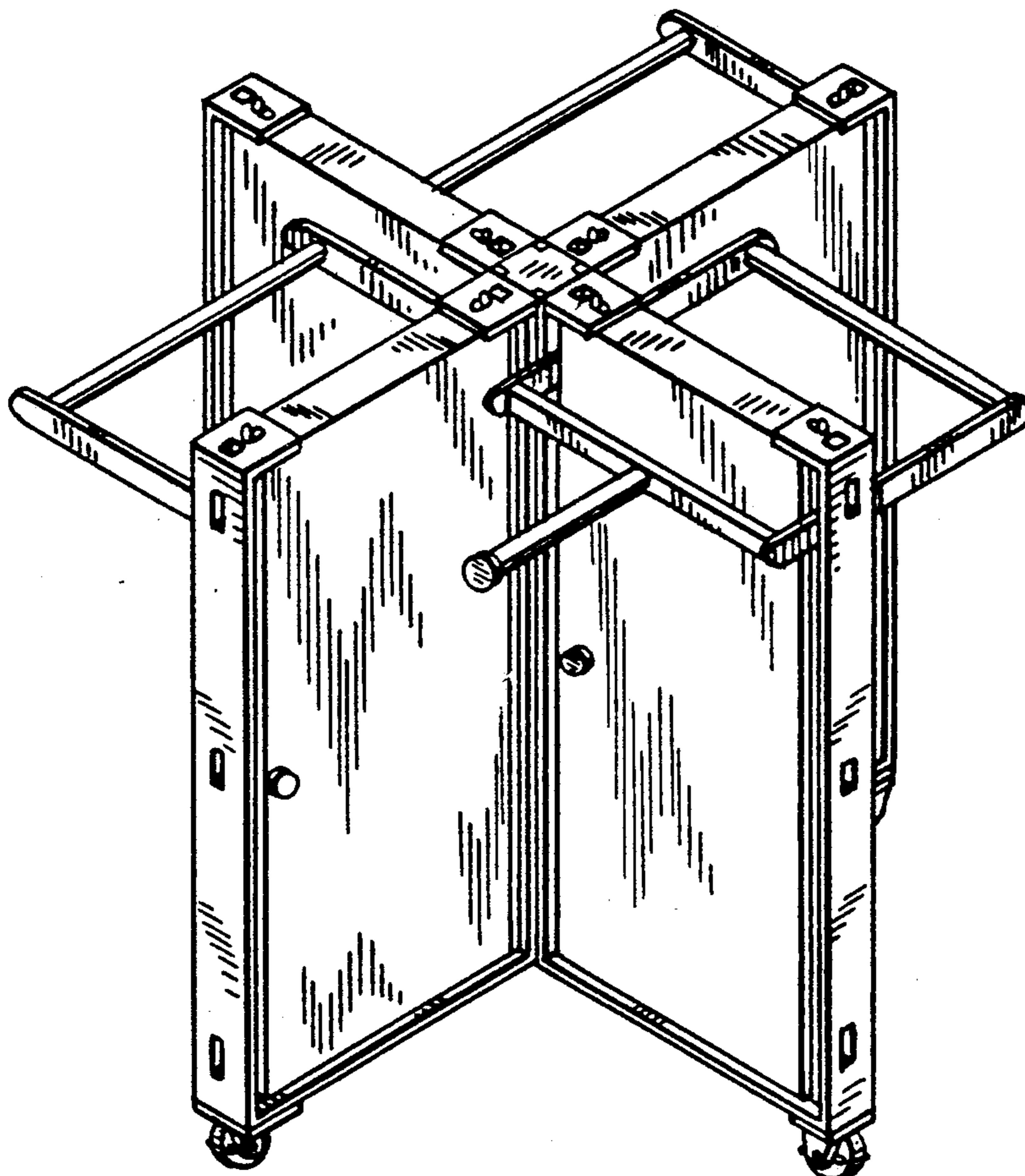


FIG. 1

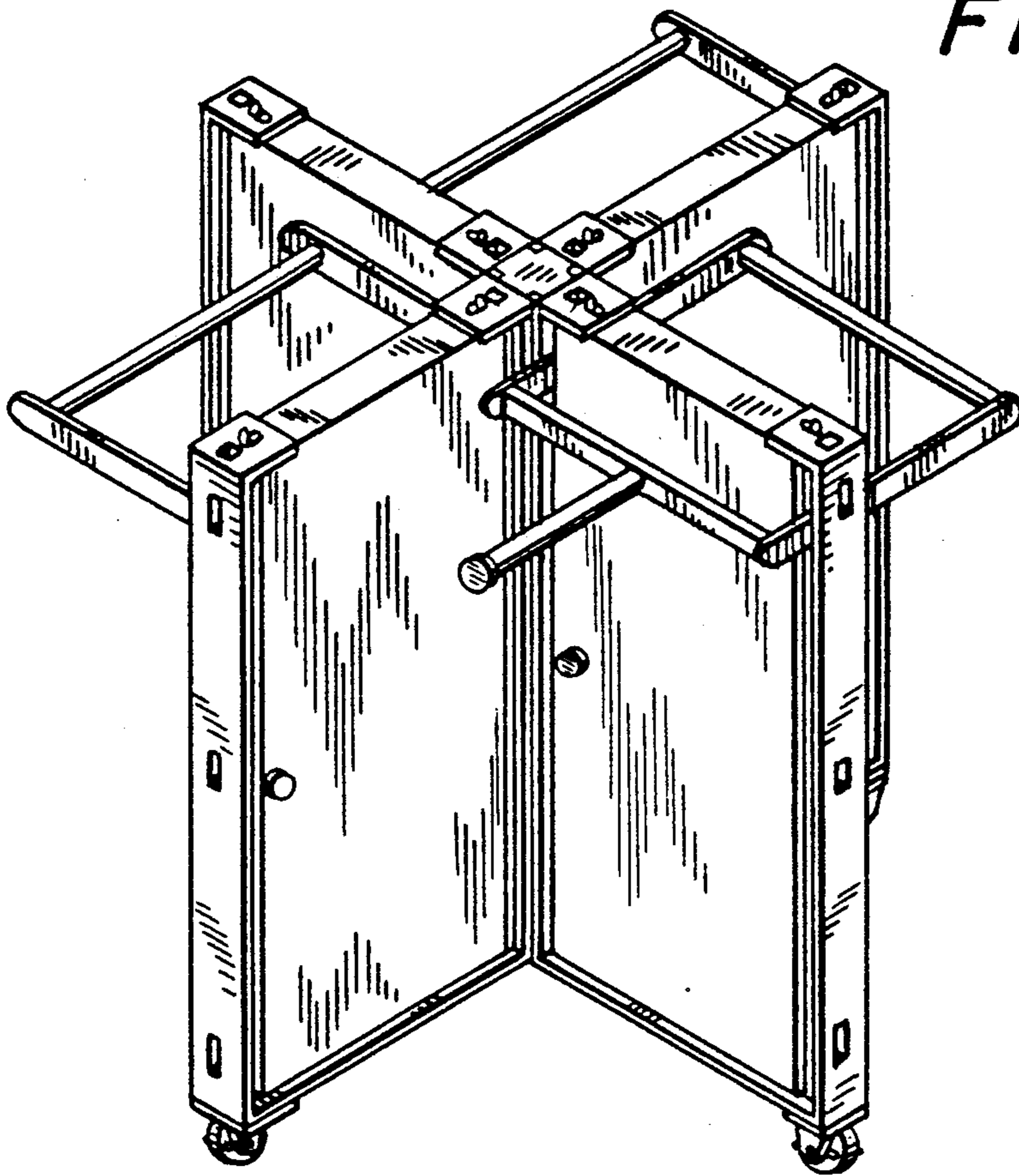
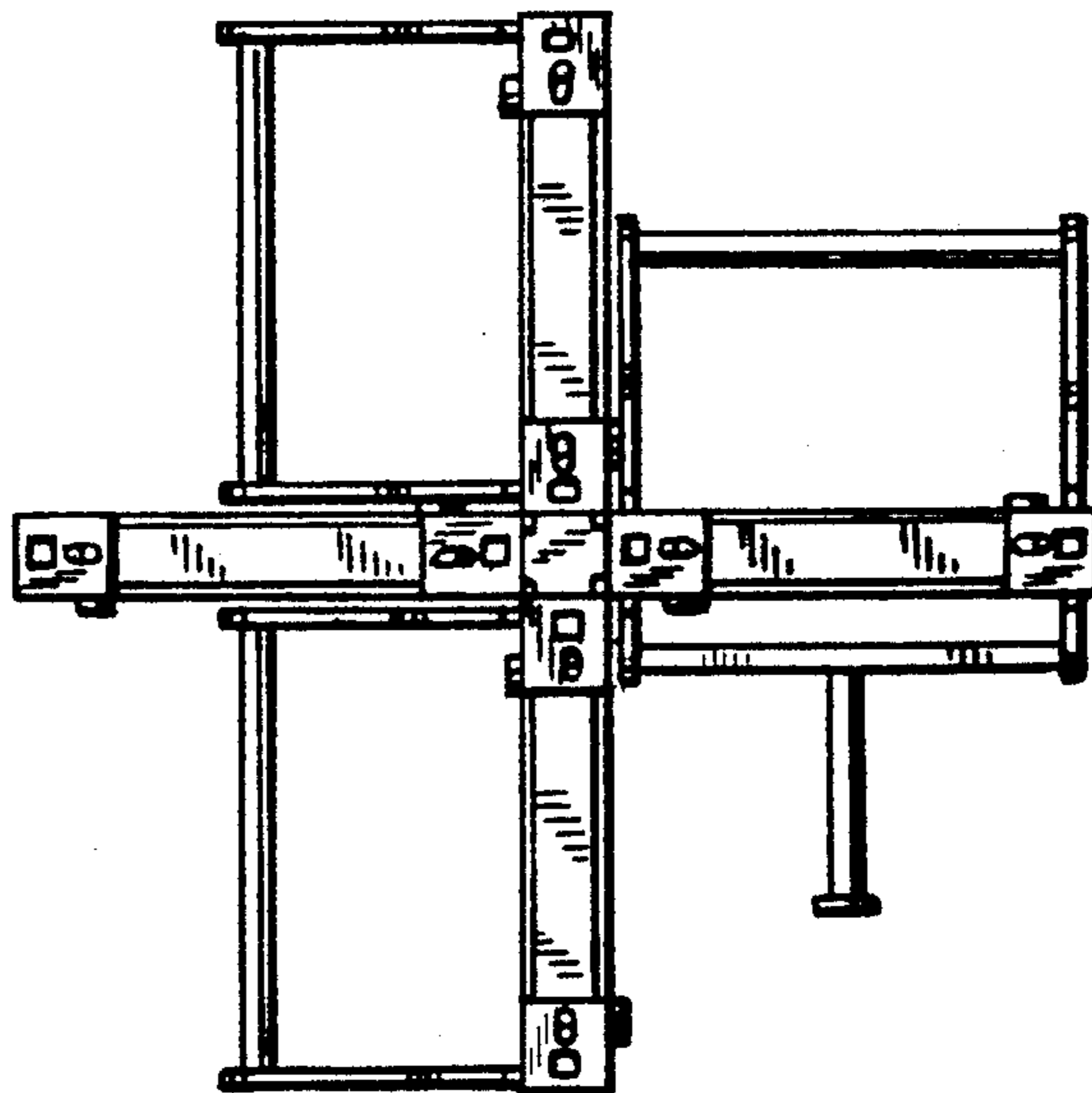


FIG. 2



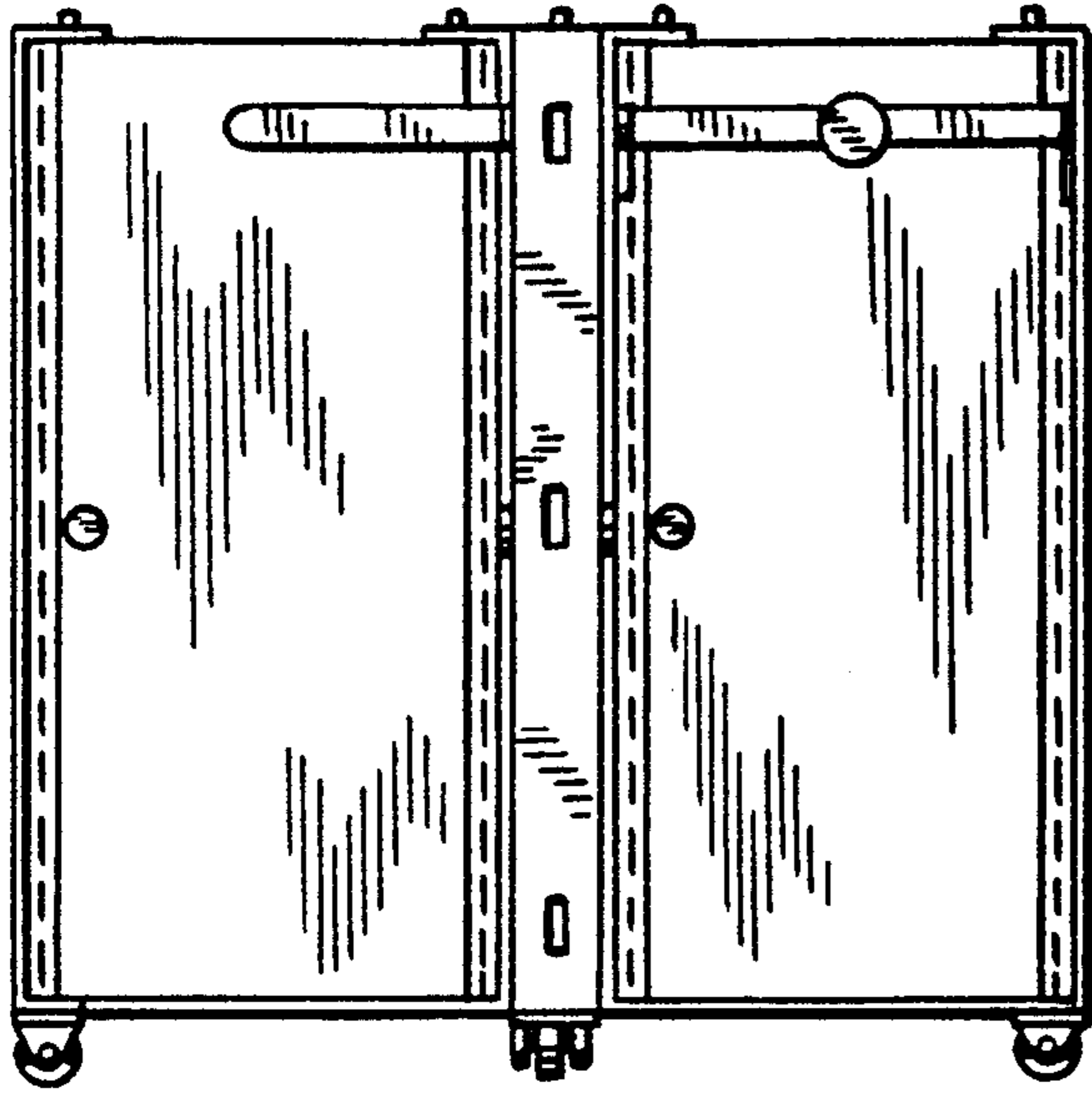


FIG. 3

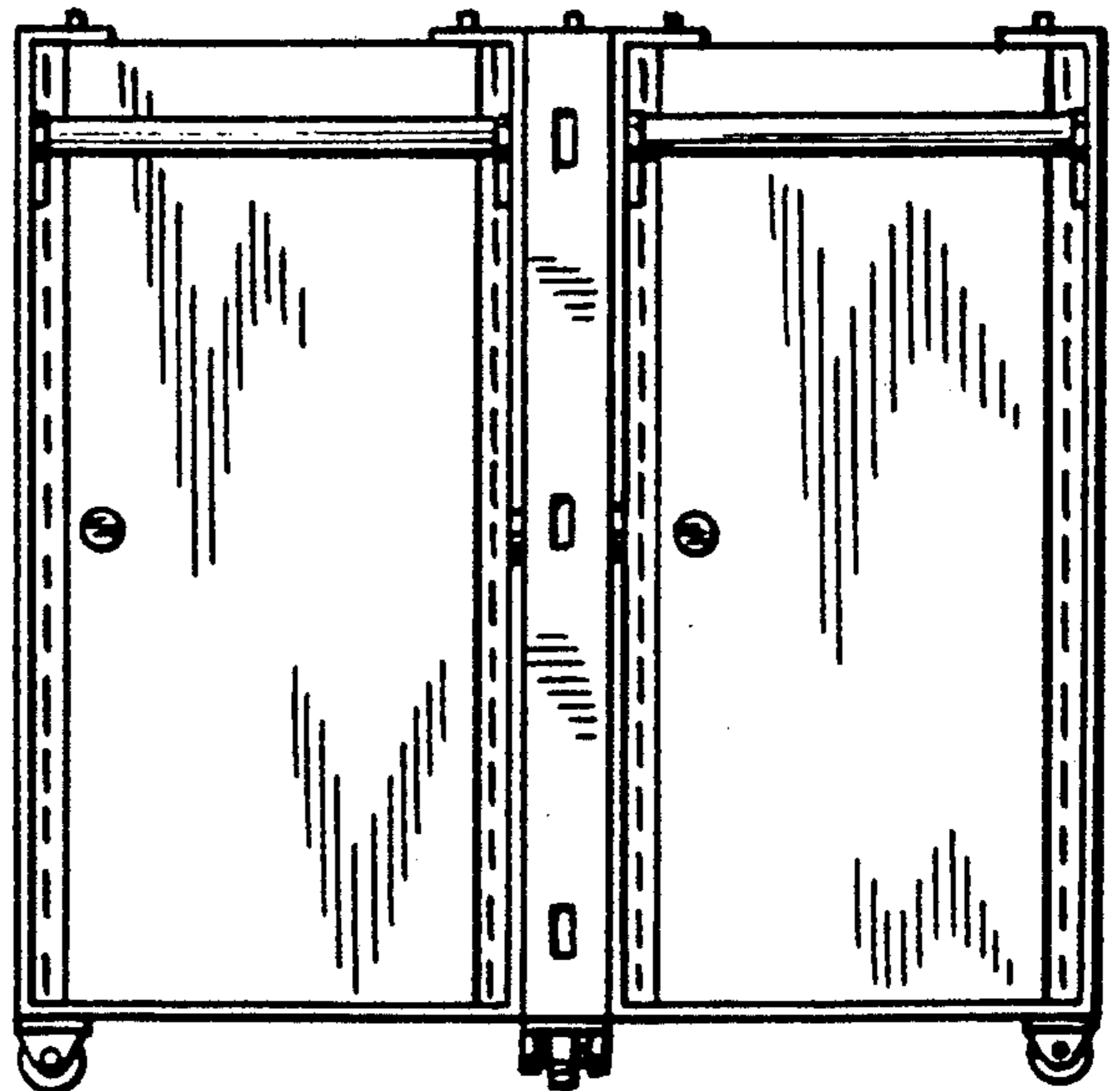


FIG. 4

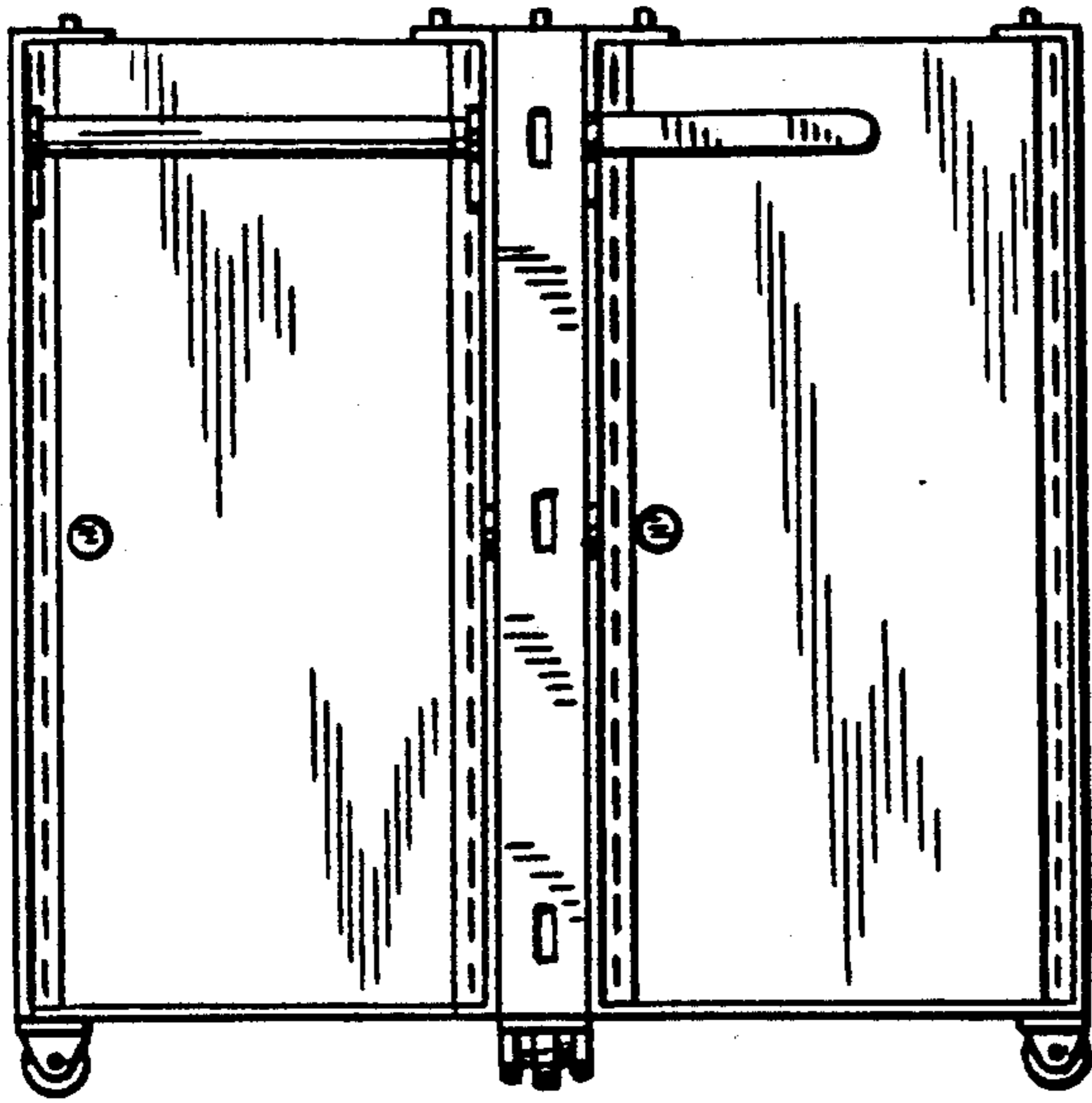


FIG. 5

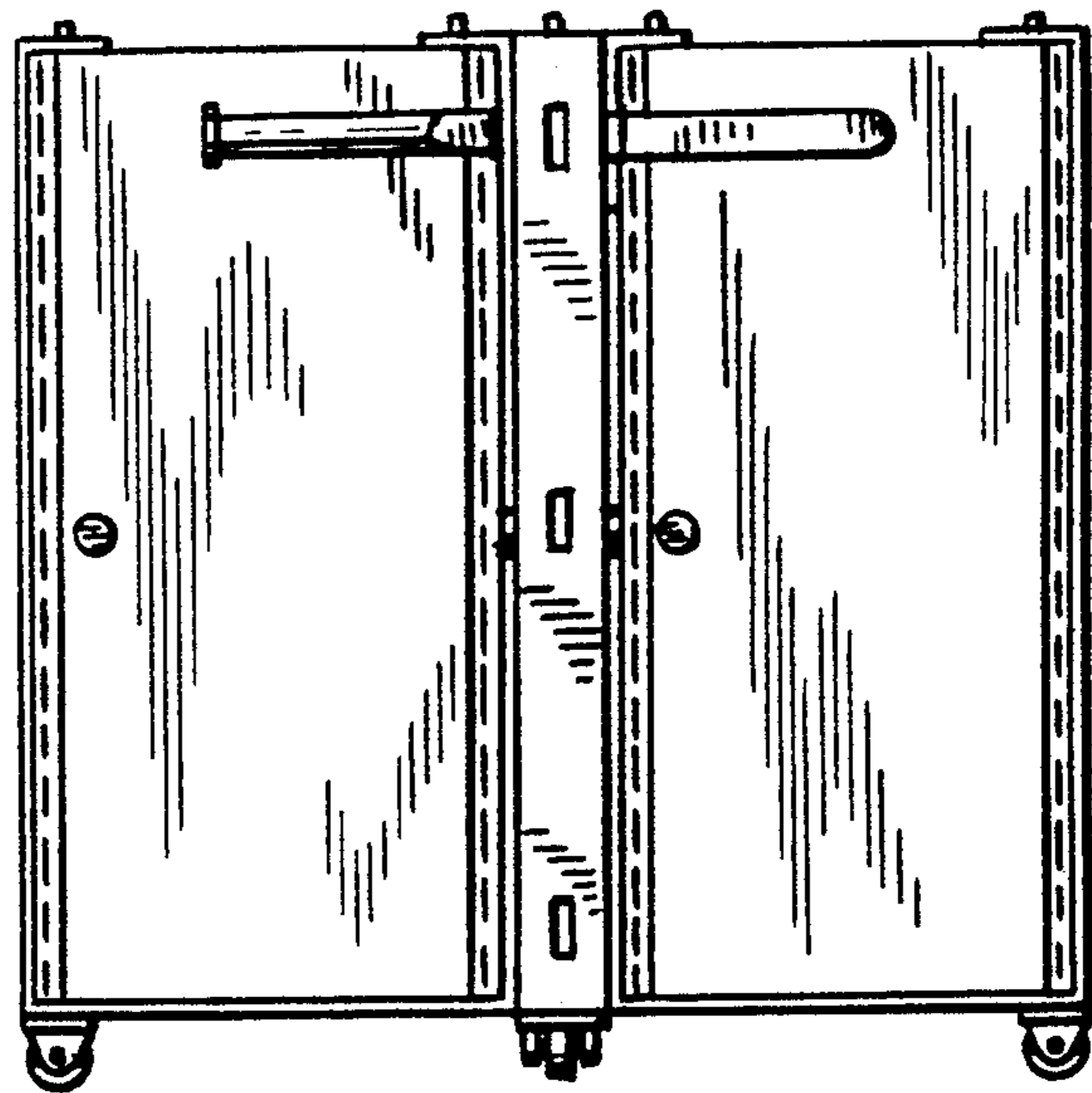


FIG. 6

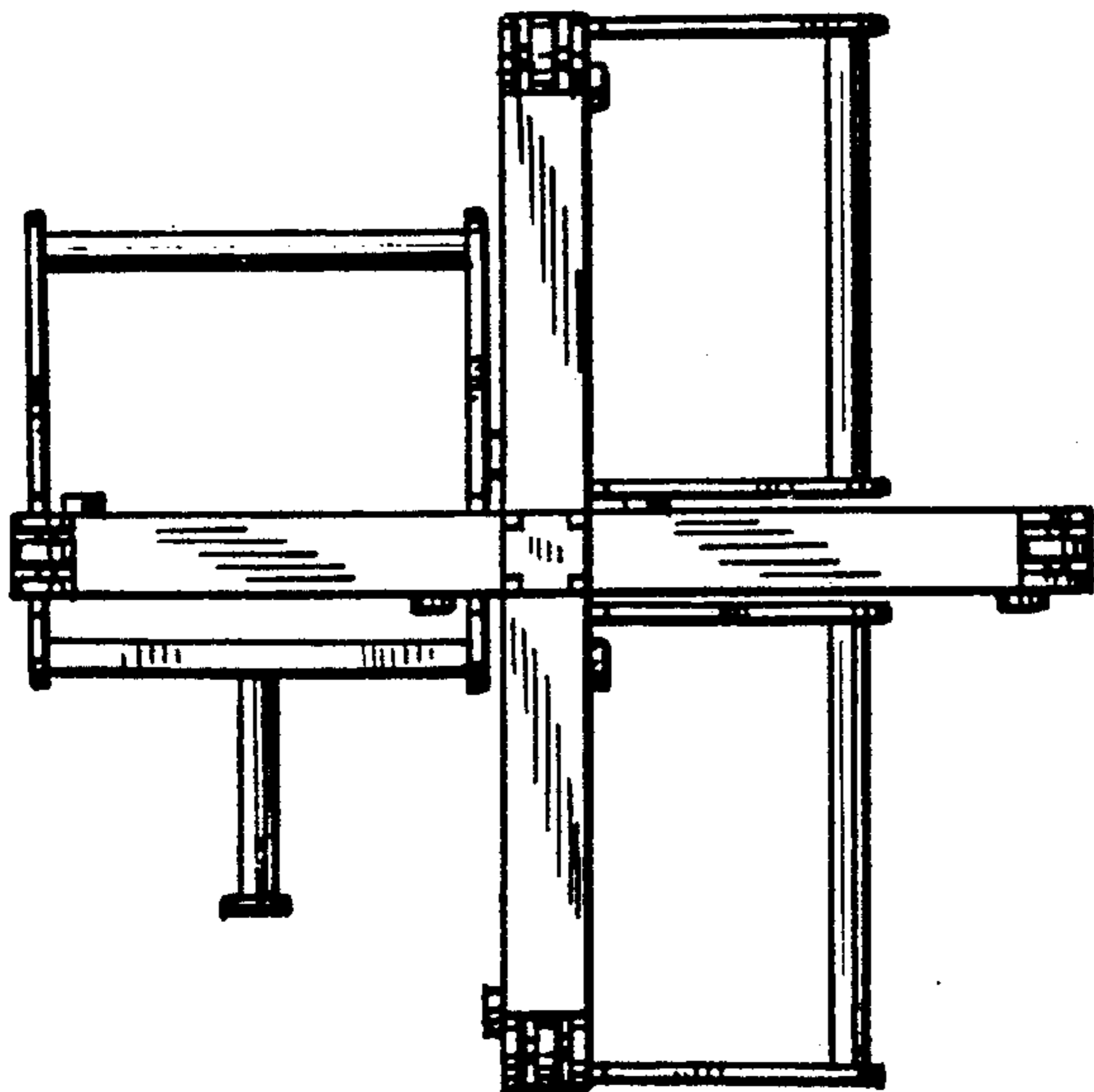


FIG. 7