

# United States Patent [19]

Baekgaard, Sr.

[11] Patent Number: **Des. 318,378**

[45] Date of Patent: **\*\* Jul. 23, 1991**

[54] **COMBINED TIE RACK AND BELT HANGER**

[75] Inventor: **Peer E. Baekgaard, Sr., Northbrook, Ill.**

[73] Assignee: **Baekgaard, Ltd., Northbrook, Ill.**

[\*\*] Term: **14 Years**

[21] Appl. No.: **414,181**

[22] Filed: **Sep. 29, 1989**

[52] U.S. Cl. .... **D6/315**

[58] Field of Search ..... **D6/315, 513, 317; 223/85, 87, 88, DIG. 1; 211/113, 60.1**

[56] **References Cited**

## U.S. PATENT DOCUMENTS

D. 207,076	2/1967	Bertram	.....	D6/315
D. 242,414	11/1976	Salladay	.....	D6/315
D. 246,083	10/1977	Auersperg	.....	D6/315
2,777,582	1/1957	Van Dusen	.....	D6/317
2,819,002	1/1958	Fitch	.....	223/88
2,848,114	8/1958	Kruger	.....	D6/317

4,429,797	2/1984	Collins	.....	D6/317
4,823,962	4/1989	Arias	.....	211/113
4,856,744	8/1989	Frankel	.....	211/113

*Primary Examiner*—B. J. Bullock  
*Attorney, Agent, or Firm*—Lee, Mann, Smith,  
McWilliams & Sweeney

[57] **CLAIM**

The ornamental design for a combined tie rack and belt hanger, as shown and described.

## DESCRIPTION

FIG. 1 is a perspective view of the combined tie rack and belt hanger, showing my new design, and taken from one side of same;  
FIG. 2 is a perspective view thereof, taken from the opposite side of same;  
FIG. 3 is a top view thereof;  
FIG. 4 is a bottom view thereof;  
FIG. 5 is a side elevational view thereof taken from the left side of FIG. 1; and  
FIG. 6 is a side elevational view thereof, taken from the right side of FIG. 1.

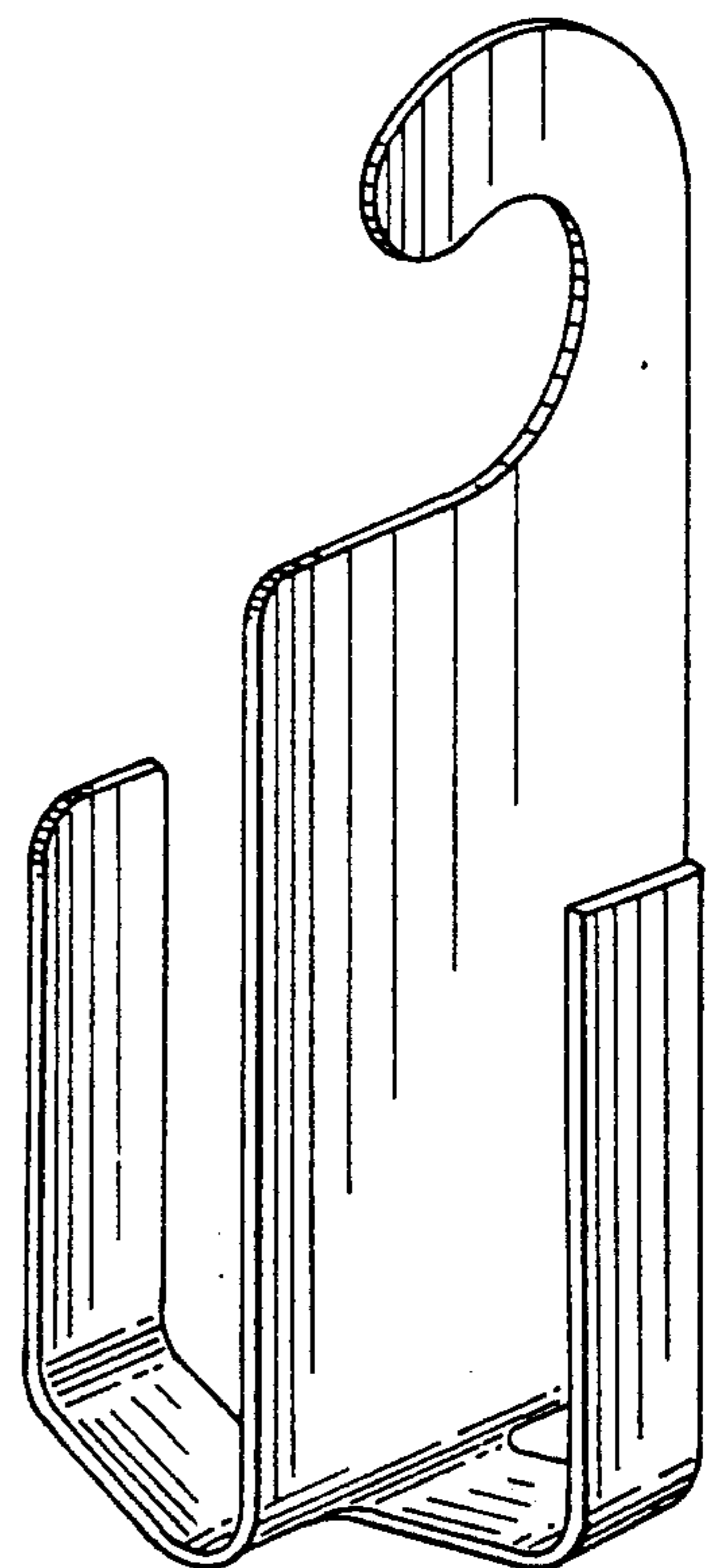
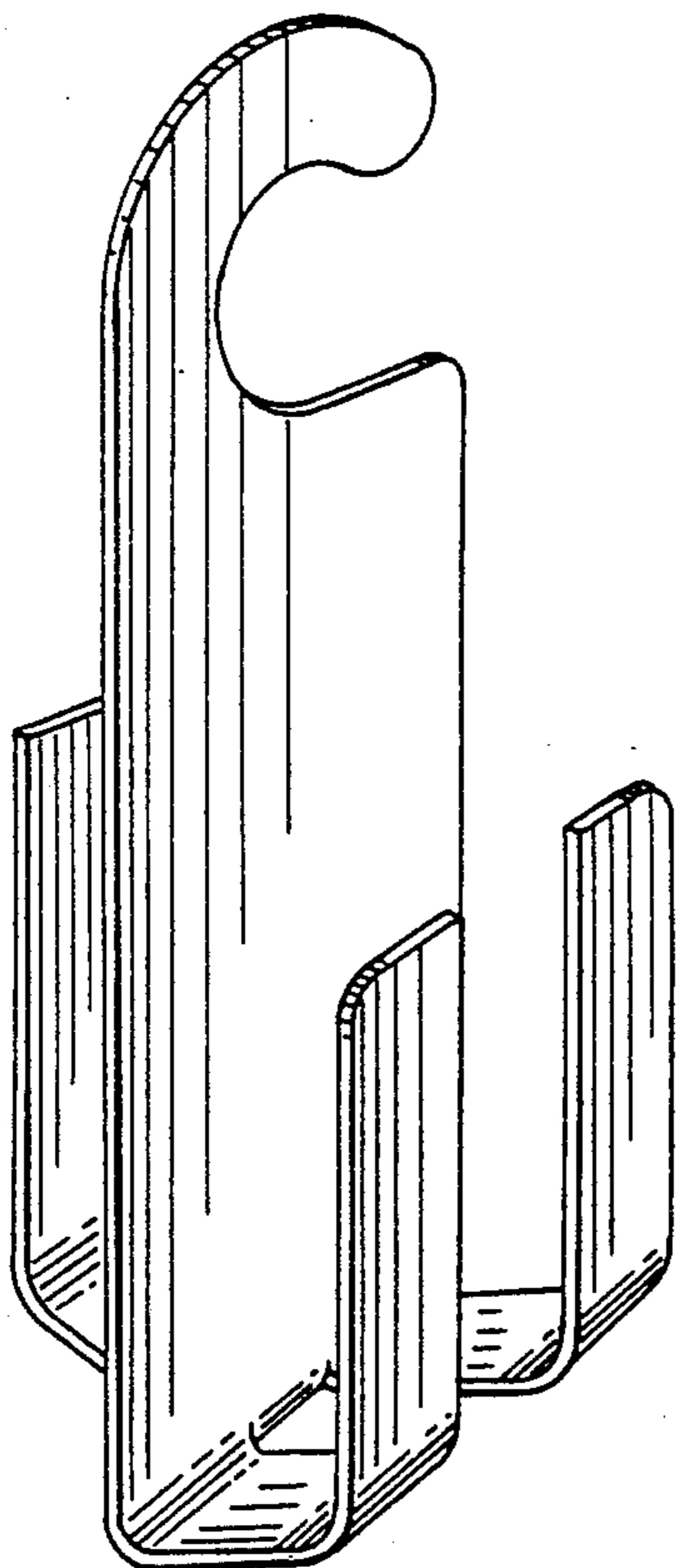


FIG-2-

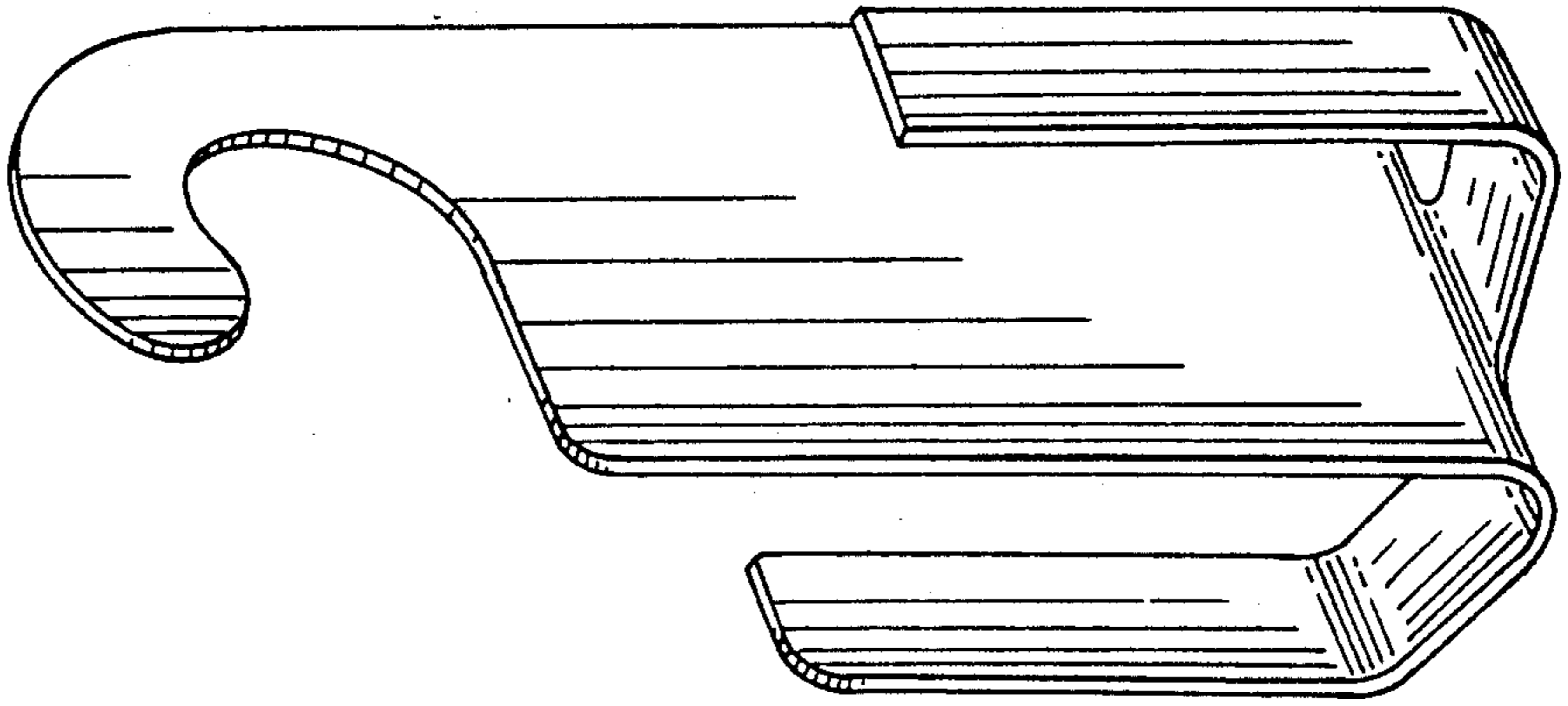


FIG-1-

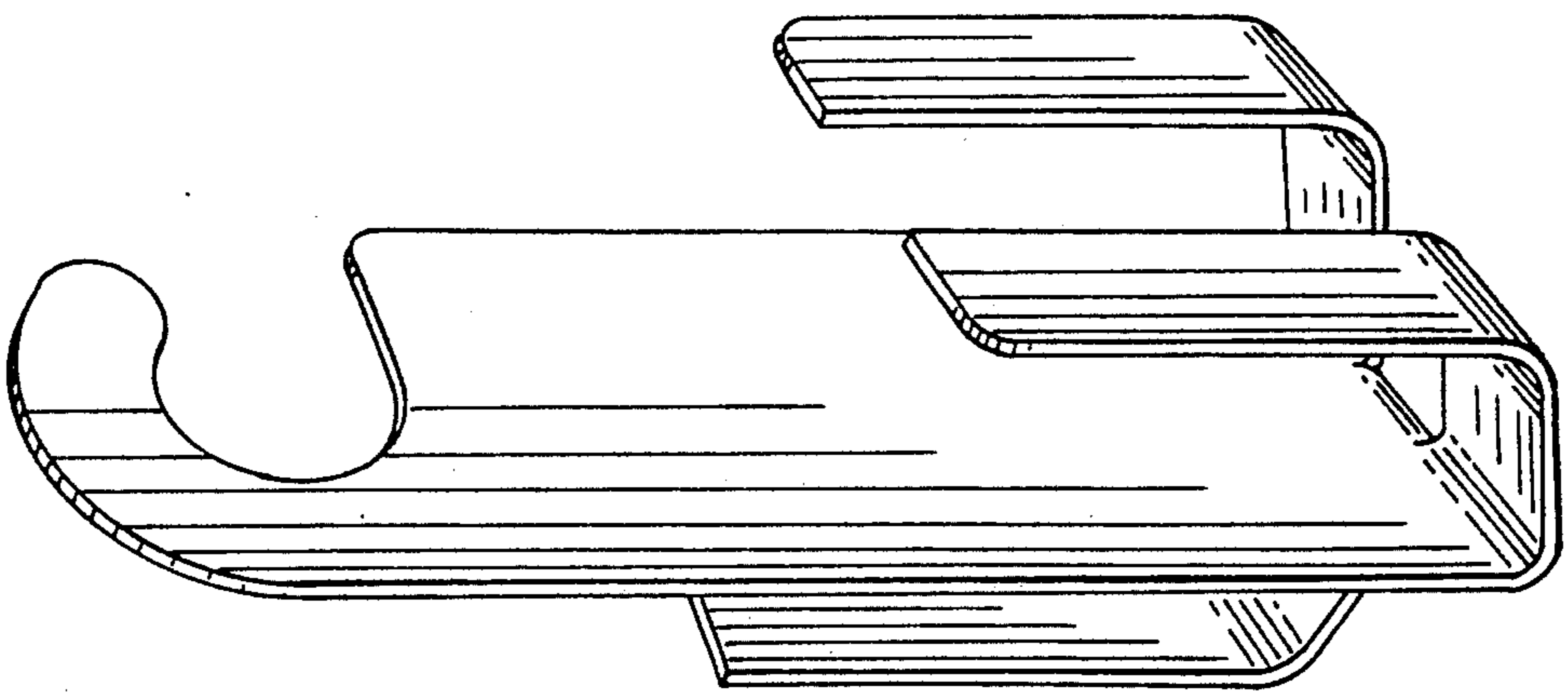


FIG. 3

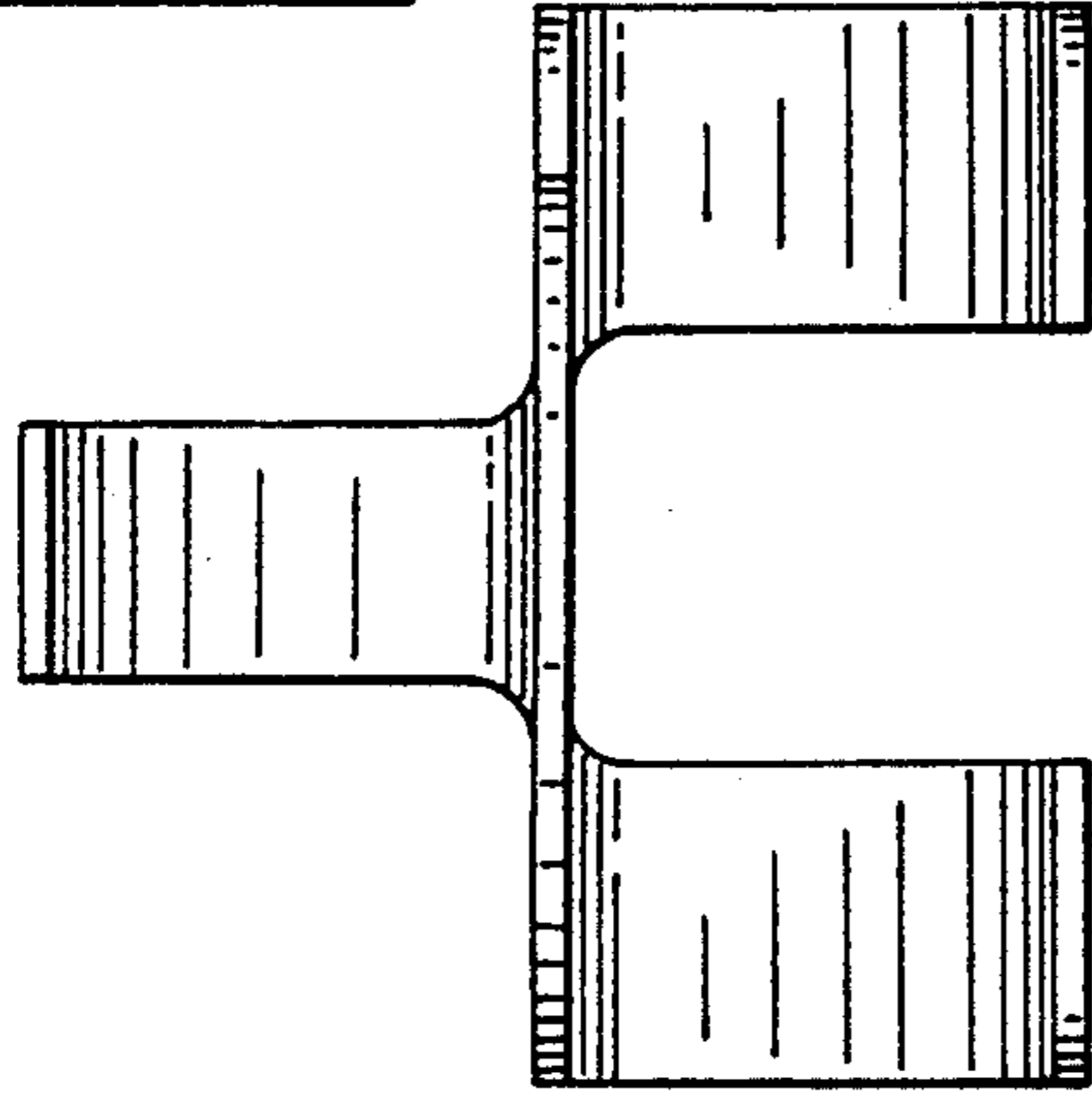


FIG. 4

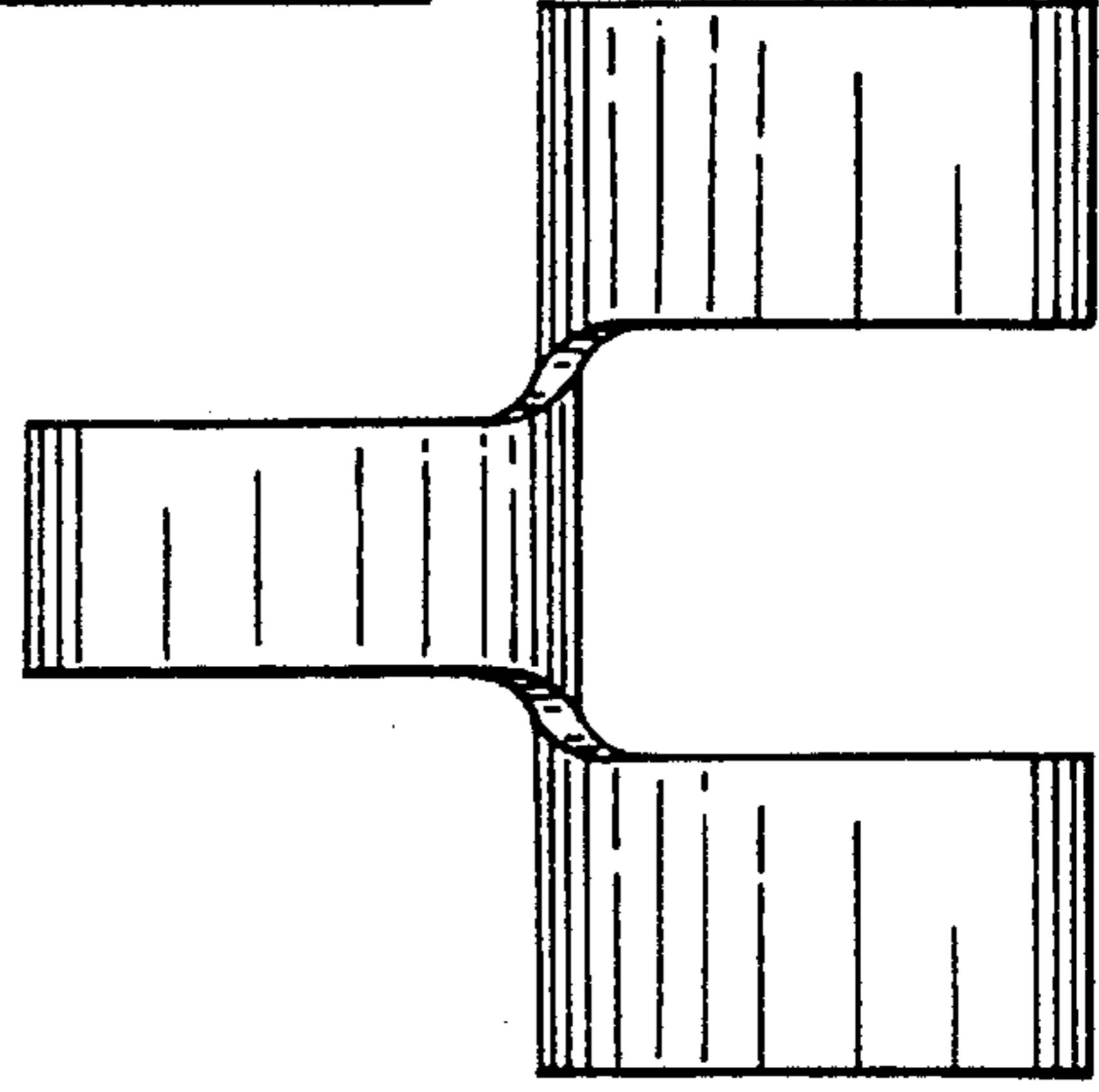


FIG. 5

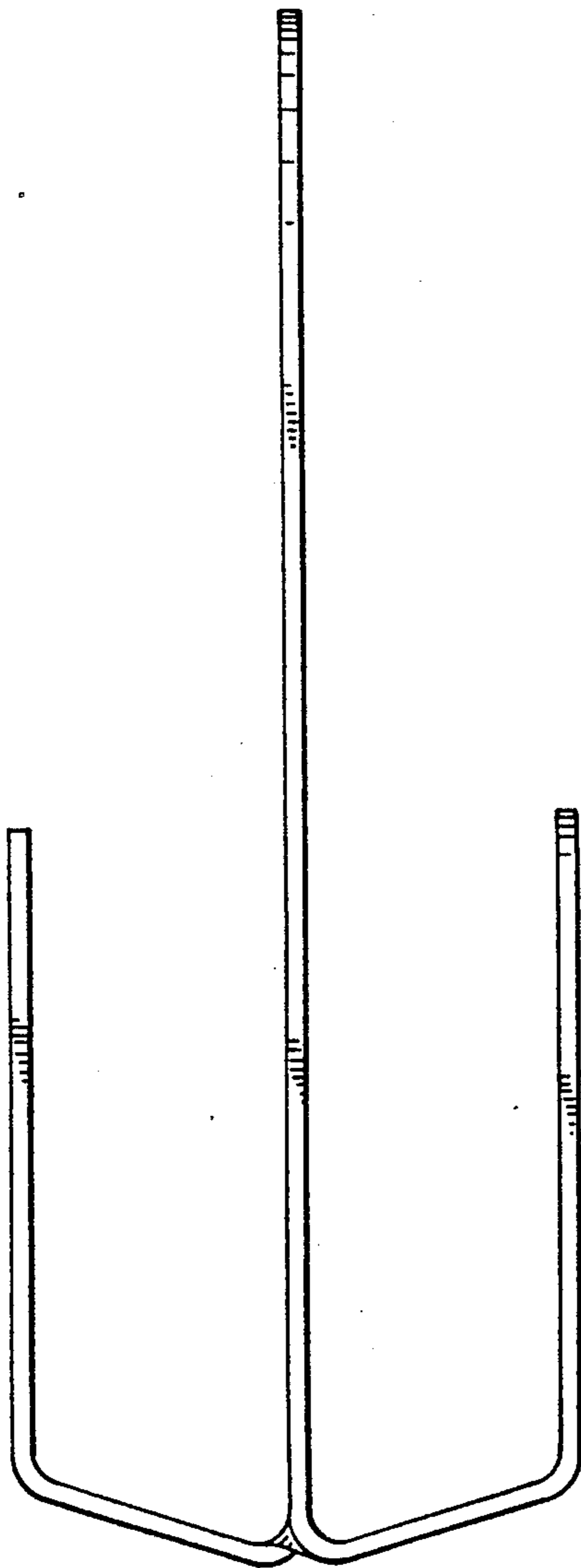


FIG. 6

