

[54] **AUDIO CASSETTE STORAGE MAGAZINE**

[76] **Inventor: Steven Gilman, P.O. Box 152,
 Cresco, Pa. 18326**

[**] **Term: 14 Years**

[21] **Appl. No.: 300,810**

[22] **Filed: Jan. 23, 1989**

[52] **U.S. Cl. D3/35**

[58] **Field of Search D3/30.1, 34, 35, 42,
 D3/44, 45, 50, 52, 53, 56, 58, 59, 61, 66, 71, 73,
 74, 76-79, 99, 100, 103; D6/407, 432, 440, 450,
 456, 466-468, 470; D9/303, 308, 311, 315, 318,
 326, 330, 331, 341, 337, 352, 373, 377, 403, 418,
 432, 444; D11/141; D14/11; D19/26; D21/62,
 63, 87, 101, 159, 160; D24/29, 47, 56; D34/40,
 44, 46; 190/100, 101; 206/5, 5 R, 214, 217,
 309-313, 370, 373-375, 387, 425, 444, 450, 571;
 211/40, 42, 50; 215/11.1, 11.6; 220/8, 22, 23.2,
 23.6, 85 D, 310, 375, 507; 224/94 R, 148, 227;
 312/10, 13, 14; 422/181, 300; 434/317**

[56] **References Cited**

U.S. PATENT DOCUMENTS

D. 224,497 8/1972 Lauer D3/35

D. 269,825 7/1983 Shirado et al. D3/35
 D. 285,986 10/1986 Huang D3/35
 3,642,337 2/1972 Marheim 206/507
 4,192,439 3/1980 Segal 206/387
 4,605,075 2/1987 Van der Lely .

FOREIGN PATENT DOCUMENTS

2730455 1/1979 Fed. Rep. of Germany 206/387

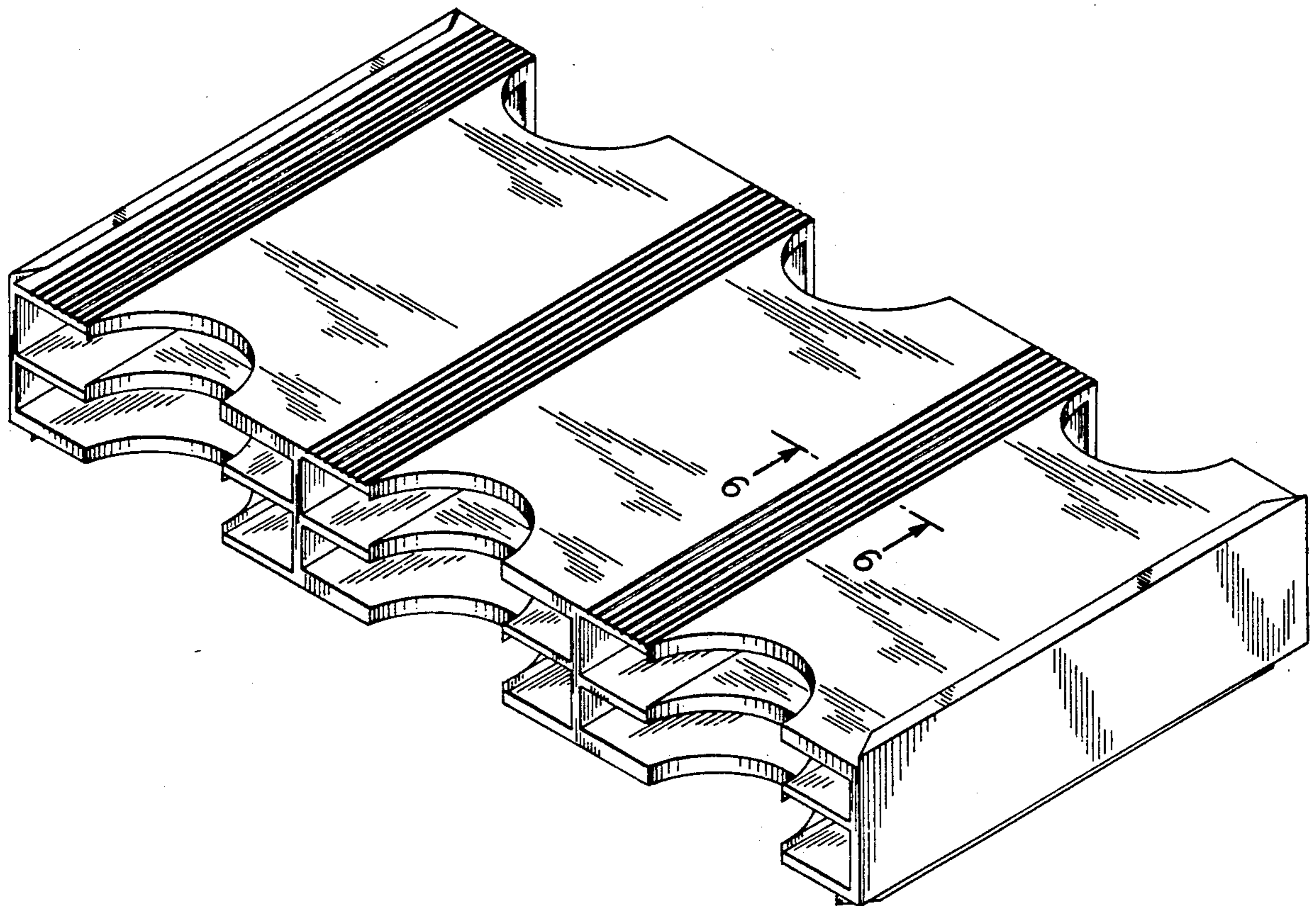
Primary Examiner—A. Hugo Word
Assistant Examiner—Celia A. Murphy
Attorney, Agent, or Firm—Kirchstein, Ottinger, Israel &
 Schiffmiller

[57] **CLAIM**

The ornamental design for an audio cassette storage magazine, as shown and described.

DESCRIPTION

FIG. 1 is a perspective view of an audio cassette storage magazine showing my new design;
 FIG. 2 is a front elevational view thereof;
 FIG. 3 is a side elevational view thereof; both sides being identical;
 FIG. 4 is a rear elevational view thereof;
 FIG. 5 is a bottom plan view thereof; and
 FIG. 6 is a sectional view taken on line 6—6 of FIG. 1.



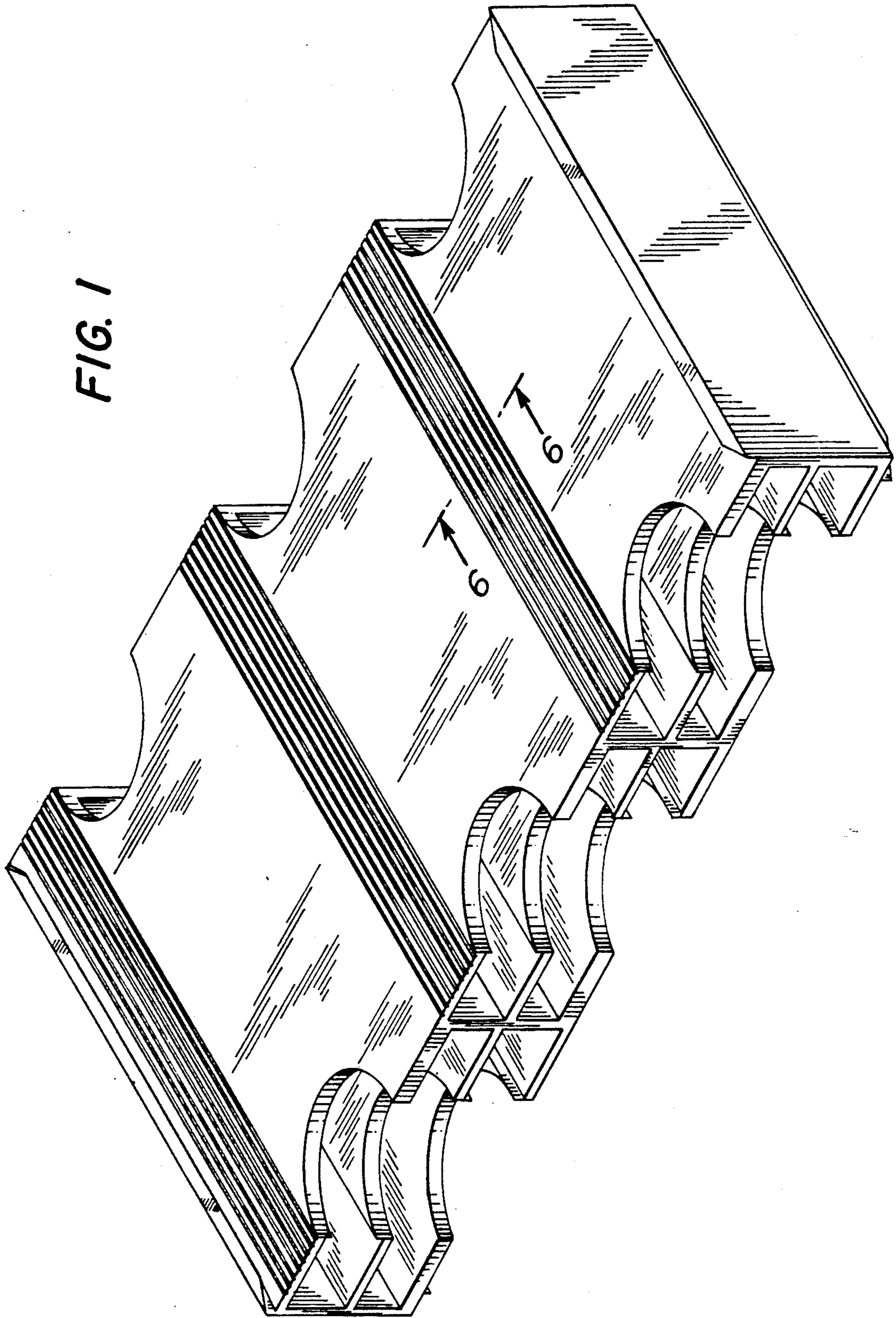


FIG. 2

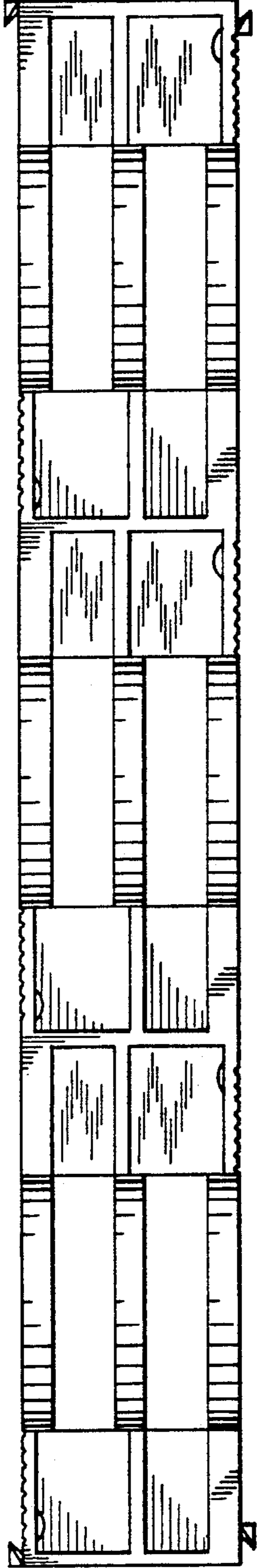


FIG. 3

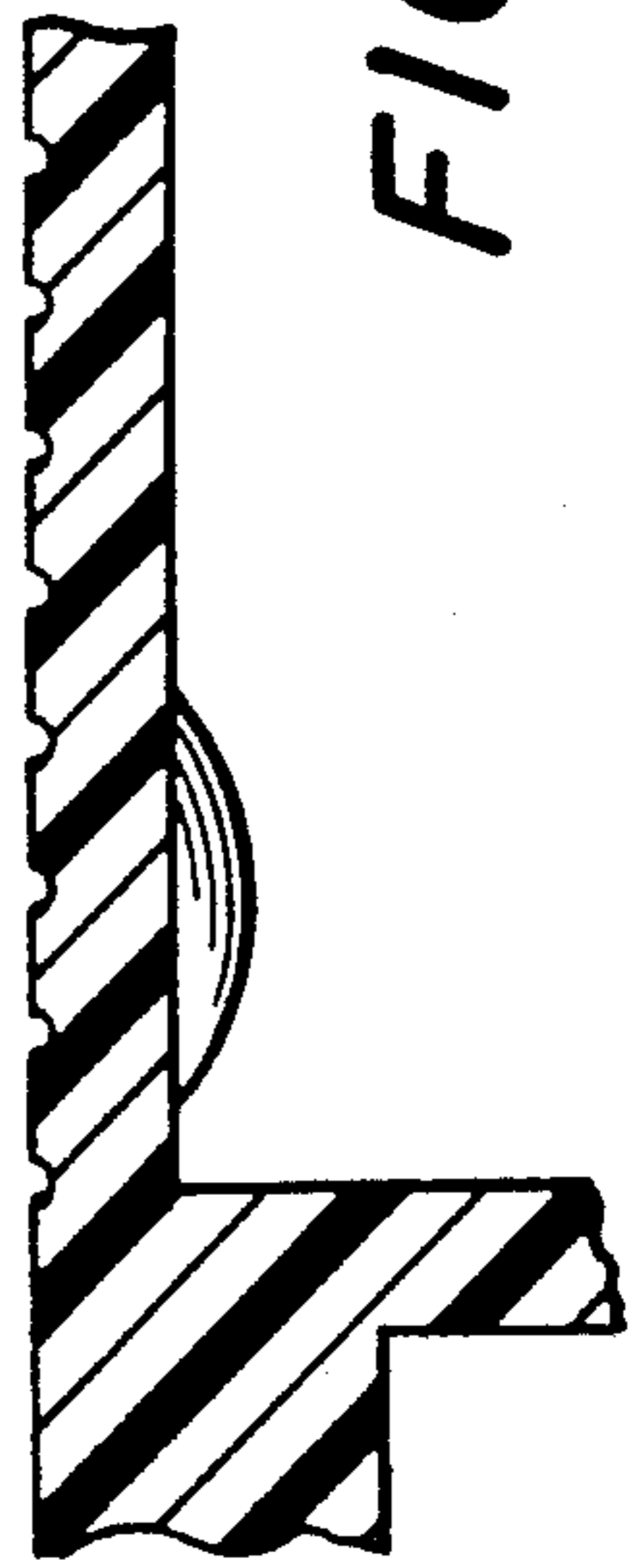
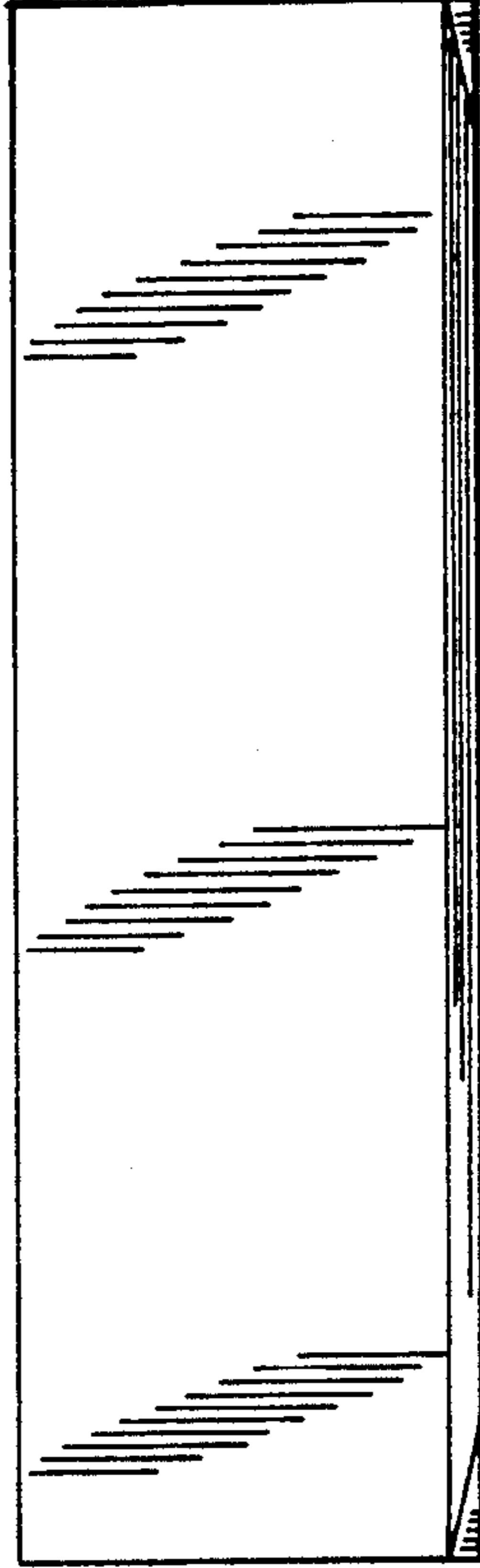


FIG. 6

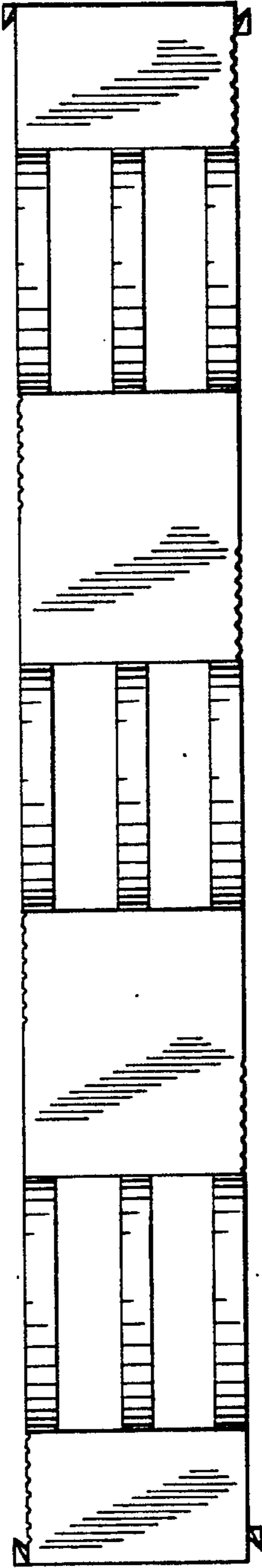


FIG. 4

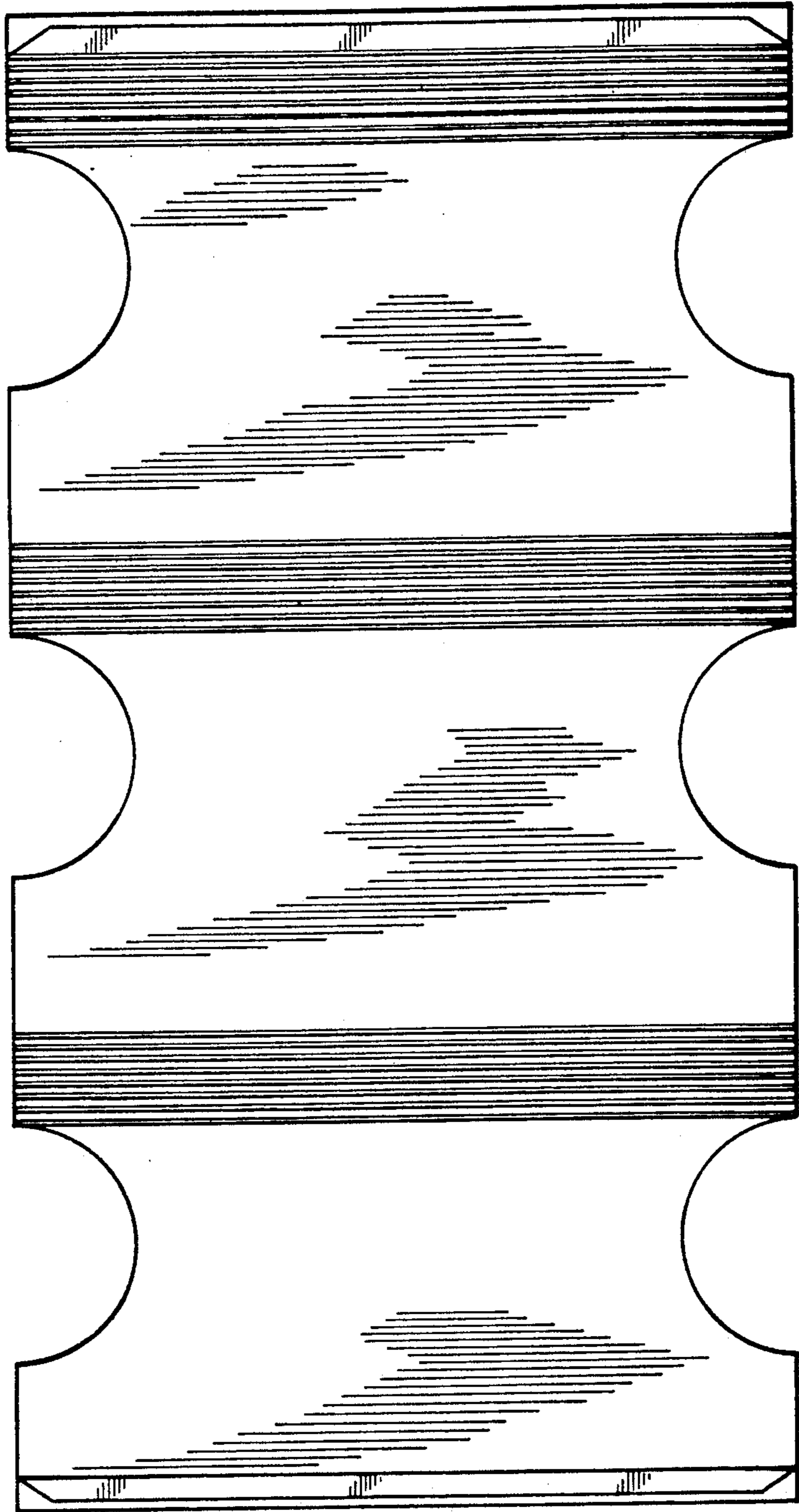


FIG. 5