

[54] COMPACT DISC CASE

[75] Inventor: Dale M. Evans, Windsor, Wis.

[73] Assignee: Don Evans, Inc., DeForest, Wis.

[**] Term: 14 Years

[21] Appl. No.: 68,311

[22] Filed: Jul. 1, 1987

[52] U.S. Cl. D3/35

[58] Field of Search D3/35; D19/26; 206/310, 206/312, 444, 387; 360/133

[56] References Cited

U.S. PATENT DOCUMENTS

D. 187,720	4/1960	Ketcham	D3/35
D. 260,122	8/1981	Turner	D3/35
D. 280,952	10/1985	Kirchner	D3/35
D. 293,507	1/1988	Ogusu	D3/35
D. 304,880	12/1989	Philosophe	D3/35
2,663,416	12/1953	Hirsch	206/310
3,107,783	10/1963	Corey et al.	206/310
3,109,539	11/1963	Turoff	206/310
3,825,112	7/1974	Schumaker et al.	206/310
3,949,872	4/1976	Paudras	206/310
4,084,690	4/1978	Pulse	206/310
4,084,691	4/1978	Leedom	206/313
4,089,414	5/1978	Sandor et al.	206/444
4,124,118	11/1978	Helm	206/310
4,208,117	6/1980	Harvey et al.	206/444 X
4,327,831	5/1982	Inaba et al.	206/310
4,347,537	8/1982	Schoettle et al.	360/132
4,420,079	12/1983	Gliniorz et al.	206/387

4,488,645	12/1984	Yamaguchi	206/444
4,511,034	4/1985	Pan	206/310
4,535,888	8/1985	Nusselder	206/444
4,736,840	4/1988	Deiglmeier	206/313
4,796,137	1/1989	Gruehn et al.	360/133

FOREIGN PATENT DOCUMENTS

217785	4/1987	European Pat. Off.	206/313
--------	--------	--------------------	-------	---------

OTHER PUBLICATIONS

Bell Atlantic Business Supplies, 1986, p. 48, top of page Magnetic Tape #1.

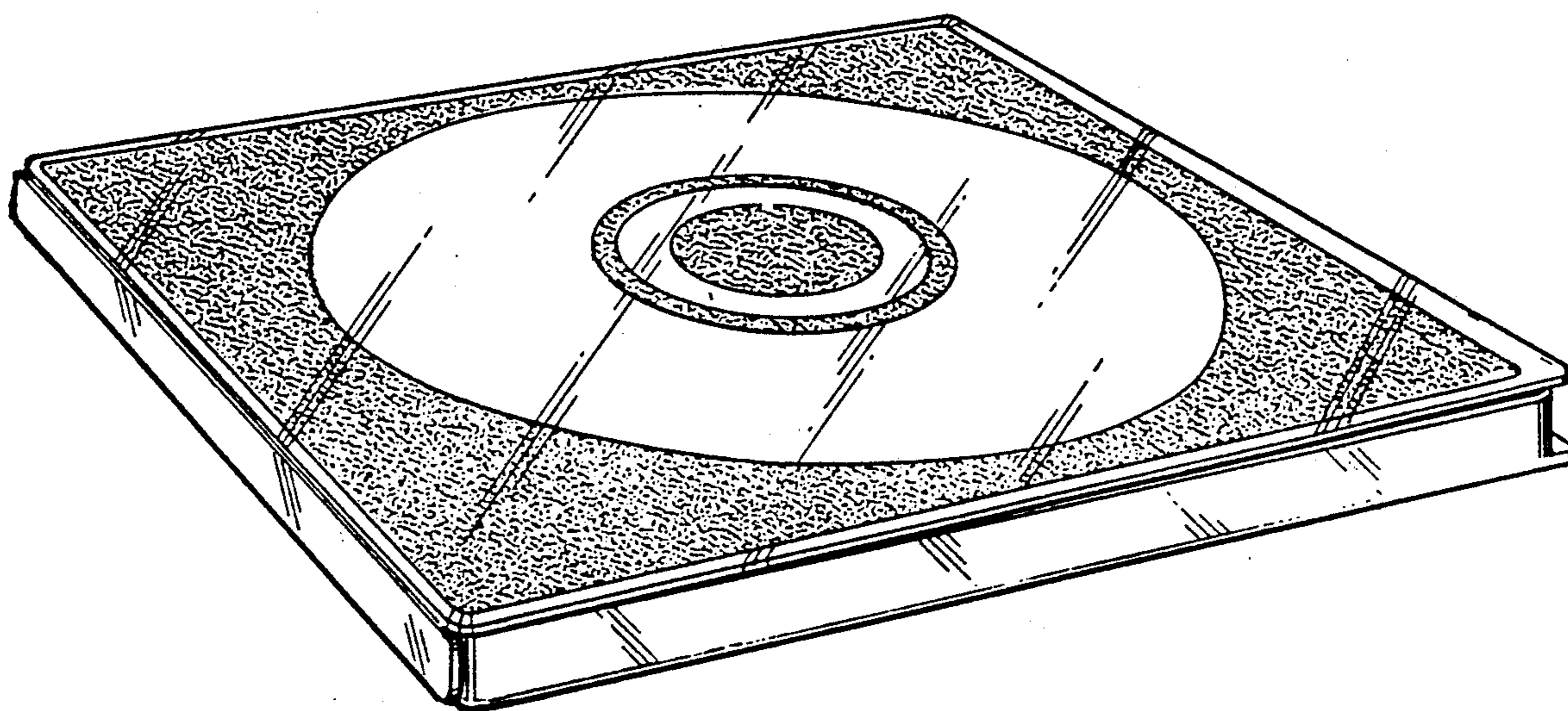
Primary Examiner—A. Hugo Word
Assistant Examiner—Doris V. Coles
Attorney, Agent, or Firm—Quarles & Brady

[57] CLAIM

The ornamental design for a compact disc case, as shown and described.

DESCRIPTION

FIG. 1 is a top perspective view of a closed compact disc case, showing my new design;
FIG. 2 is a perspective view showing the inside of an open compact disc case;
FIG. 3 is a plan view showing the inside of the open compact disc case;
FIG. 4 is a plan view showing the top and bottom of the open compact disc case;
FIG. 5 is a right side elevational view of an open compact disc case, the left side being a mirror image thereof;
FIG. 6 is a rear elevational view thereof; and
FIG. 7 is a front elevational view thereof.



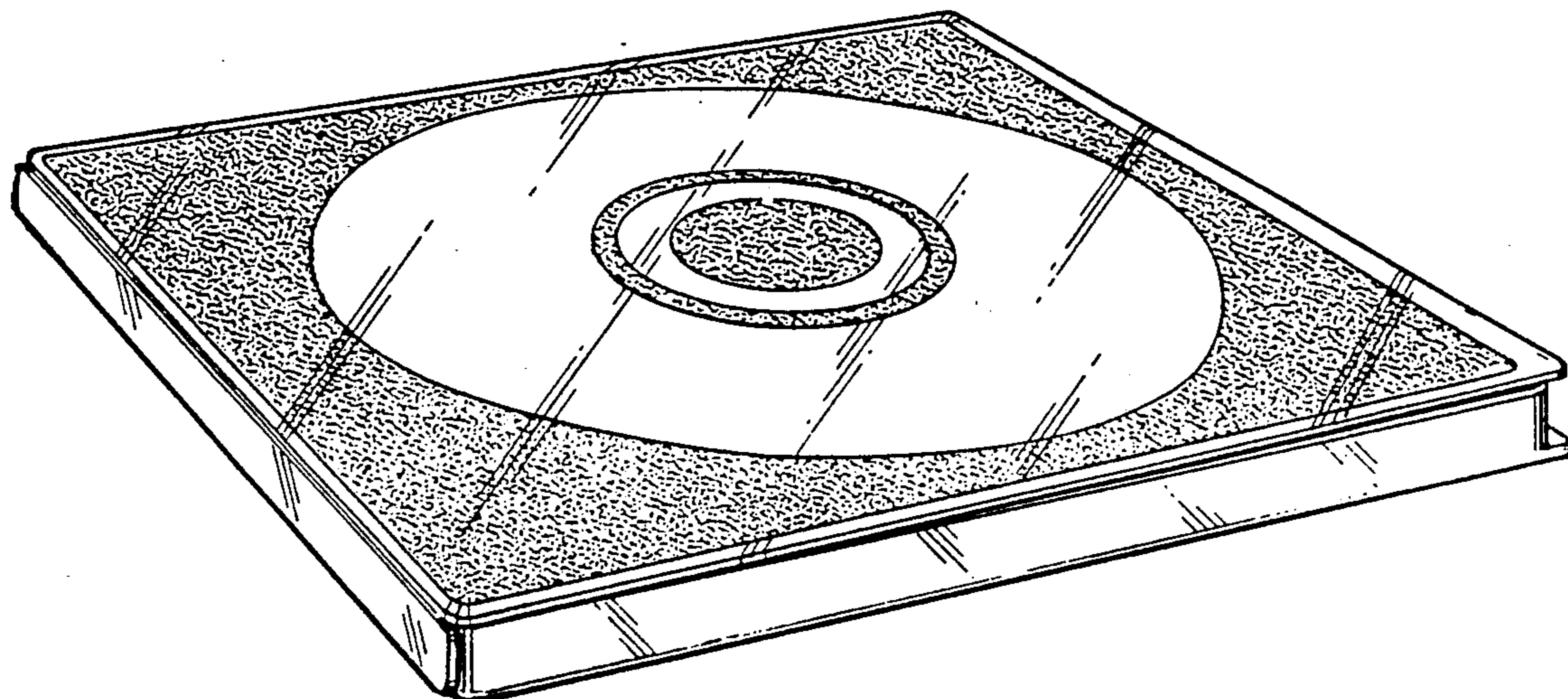


FIG. 1

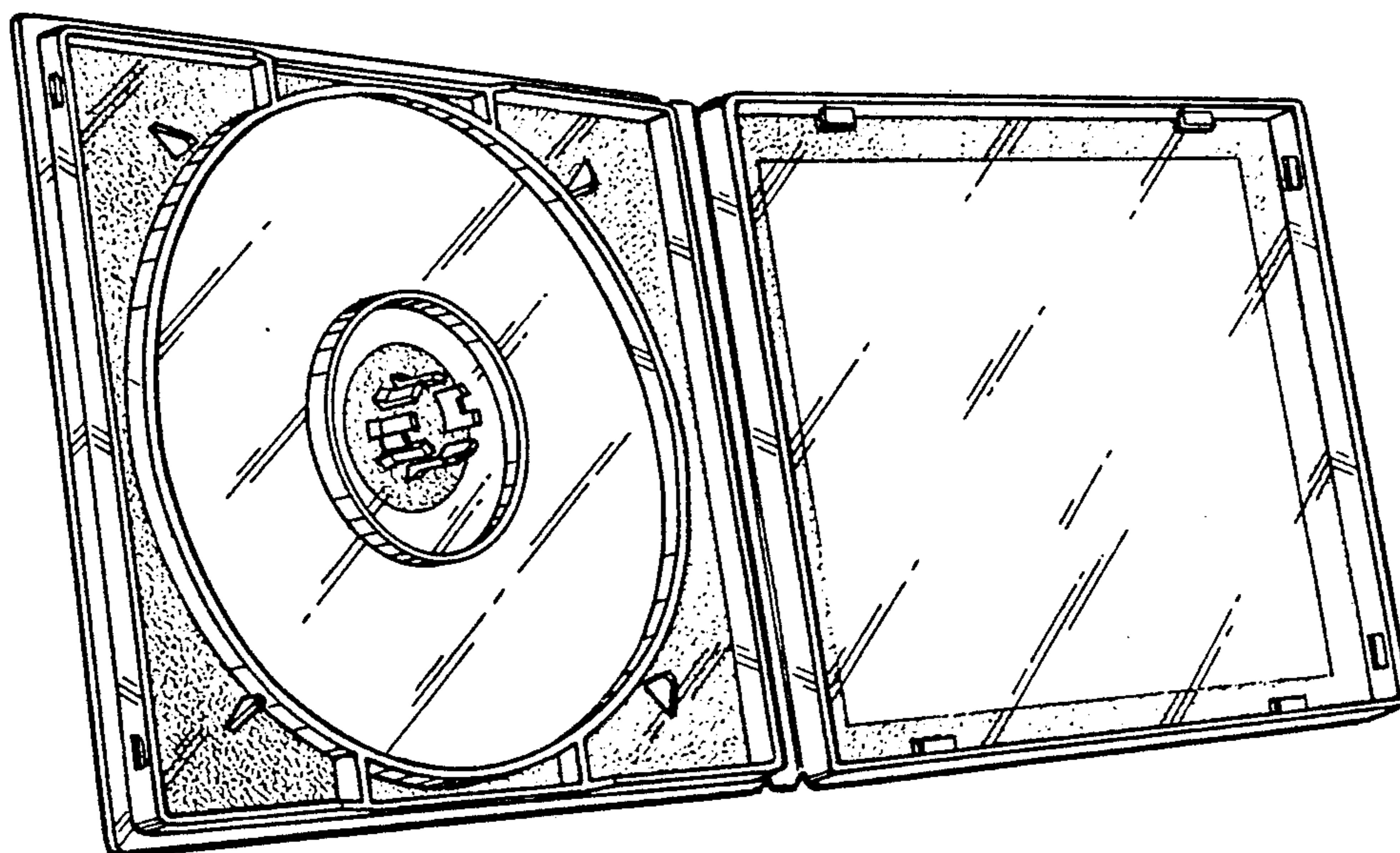


FIG. 2

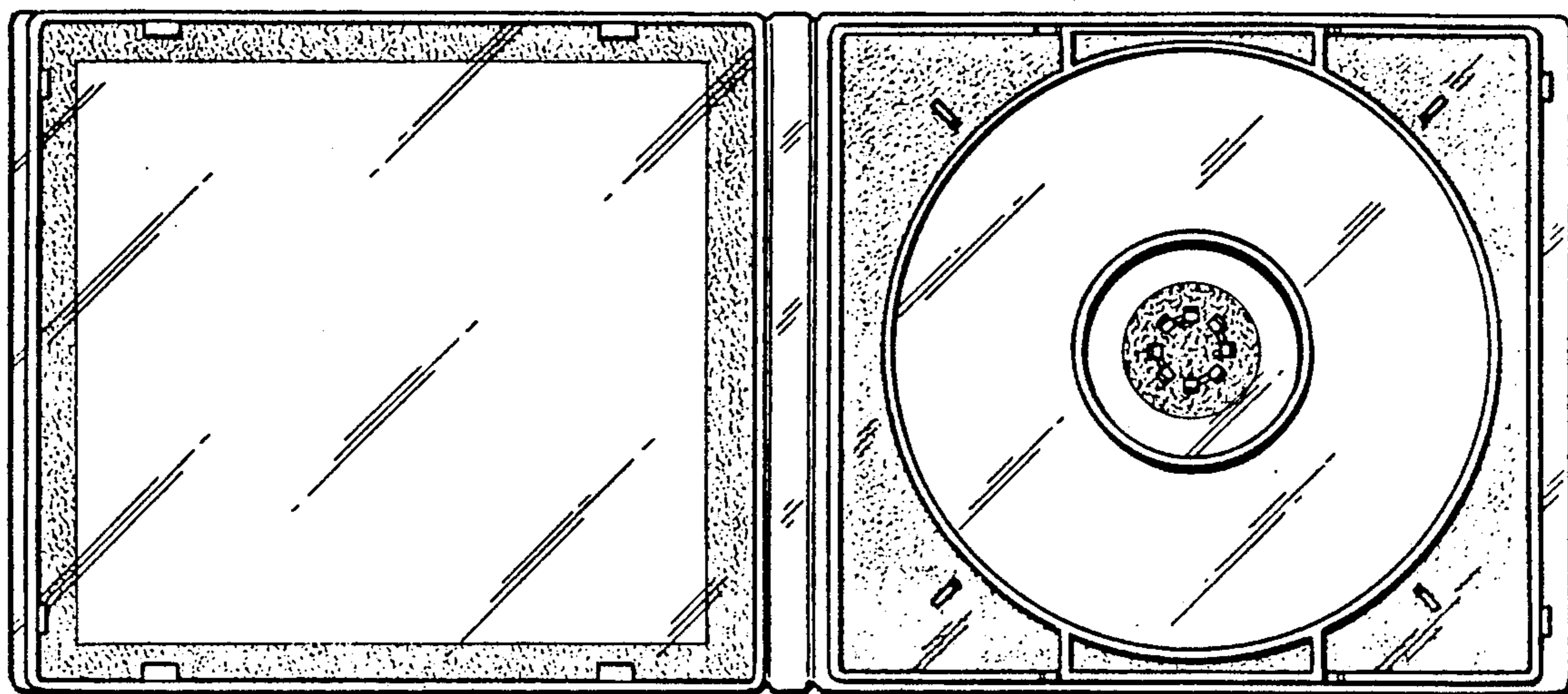


FIG. 3

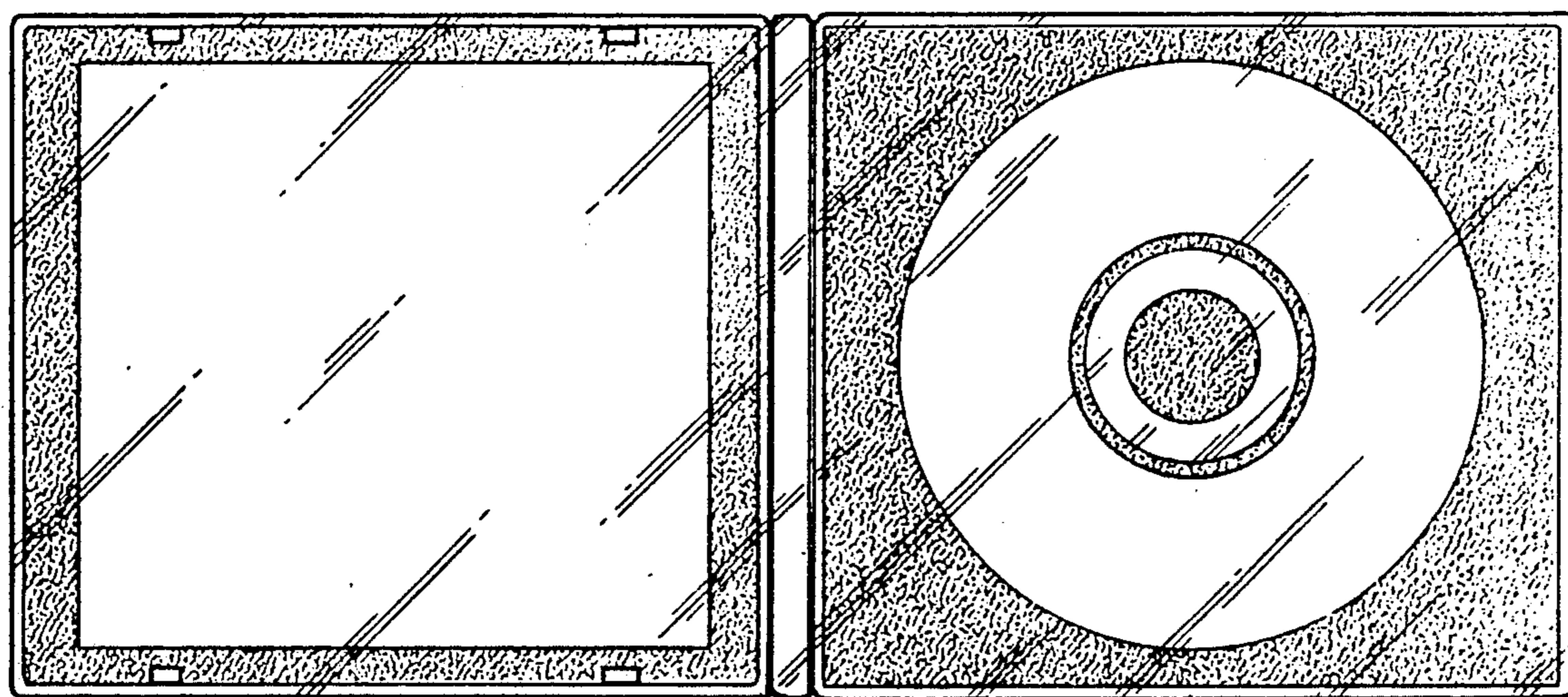


FIG. 4



FIG. 5



FIG. 6



FIG. 7