

[54] ALPINE SKI BOOT  
 [75] Inventors: Roger Pitiot, Chapeiry; Henri de Rocca-Serra, Annecy, both of France  
 [73] Assignee: Salomon S.A., Annecy Cedex, France  
 [\*\*] Term: 14 Years  
 [21] Appl. No.: 141,901  
 [22] Filed: Jan. 11, 1988  
 [30] Foreign Application Priority Data

Jul. 13, 1987 [WO] World Int. Prop. O. .... DM/008953  
 [52] U.S. Cl. .... D2/276  
 [58] Field of Search ..... D2/264, 265, 271-276; 36/50, 103, 116-121

[56] References Cited  
 U.S. PATENT DOCUMENTS

- D. 253,499 11/1979 Salomon ..... D2/276
- D. 256,517 8/1980 Salomon .
- D. 271,441 11/1983 Salomon .
- 3,545,106 12/1970 Martin .
- 3,793,749 2/1974 Gertsch et al. .
- 3,885,329 5/1975 French .
- 3,975,838 8/1976 Martin .
- 3,988,841 11/1976 Salomon .
- 4,060,256 11/1977 Collombin et al. .
- 4,062,133 12/1977 McGee et al. .
- 4,078,322 3/1978 Dalebout .
- 4,083,129 4/1978 Collombin et al. .
- 4,095,356 6/1978 Robran et al. .
- 4,104,766 8/1978 Salomon .
- 4,104,811 8/1978 Salomon .
- 4,142,307 3/1979 Martin .
- 4,160,332 7/1979 Salomon .
- 4,169,325 10/1979 Salomon .
- 4,184,273 1/1980 Boyer et al. .
- 4,186,501 2/1980 Salomon .
- 4,191,395 3/1980 Salomon .
- 4,192,087 3/1980 Salomon .
- 4,205,467 6/1980 Salomon .
- 4,253,251 3/1981 Salomon .
- 4,258,482 3/1981 Salomon .
- 4,265,034 5/1981 Salomon .
- 4,268,931 5/1981 Salomon .
- 4,290,213 9/1981 Salomon .
- 4,334,368 6/1982 Chalmers, II et al. .
- 4,372,061 2/1983 Pozzobon .
- 4,382,611 5/1983 Salomon .
- 4,408,403 10/1983 Martin .

- 4,454,663 6/1984 Graillat et al. .
- 4,455,768 6/1984 Salomon .
- 4,484,762 11/1984 Salomon .
- 4,539,763 9/1985 Walkhoff .
- 4,539,764 9/1985 Pradier .
- 4,551,933 11/1985 Morrell et al. .
- 4,557,061 12/1985 Graillat et al. .
- 4,561,196 12/1985 Petrini et al. .
- 4,562,653 1/1986 Salomon .
- 4,571,855 2/1986 Blanc .
- 4,575,955 3/1986 Borsoi .
- 4,575,956 3/1986 Paris .
- 4,575,957 3/1986 Petrini .
- 4,577,420 3/1986 Petrini et al. .
- 4,583,306 4/1986 Paris .
- 4,596,080 6/1986 Benoit et al. .
- 4,624,065 11/1986 Maboux et al. .
- 4,633,599 1/1987 Morrell et al. .
- 4,644,670 2/1987 Rochard et al. .
- 4,644,671 2/1987 Walkhoff .
- 4,653,204 3/1987 Morrell et al. .
- 4,660,300 4/1987 Morrell et al. .
- 4,665,635 5/1987 Benoit et al. .
- 4,672,755 6/1987 Benoit et al. .
- 4,677,768 7/1987 Benoit et al. .
- 4,677,770 7/1987 De Marchi et al. .
- 4,682,426 7/1987 De Marchi et al. .
- 4,694,593 9/1987 Petrini et al. .
- 4,698,920 10/1987 Benoit et al. .
- 4,709,491 12/1987 Morrell et al. .
- 4,711,042 12/1987 Morrell et al. .
- 4,712,315 12/1987 Morrell et al. .
- 4,759,137 7/1988 Lederer .
- 4,777,742 10/1988 Morrell et al. .
- 4,788,781 12/1988 Benoit et al. .
- 4,790,081 12/1988 Benoit et al. .

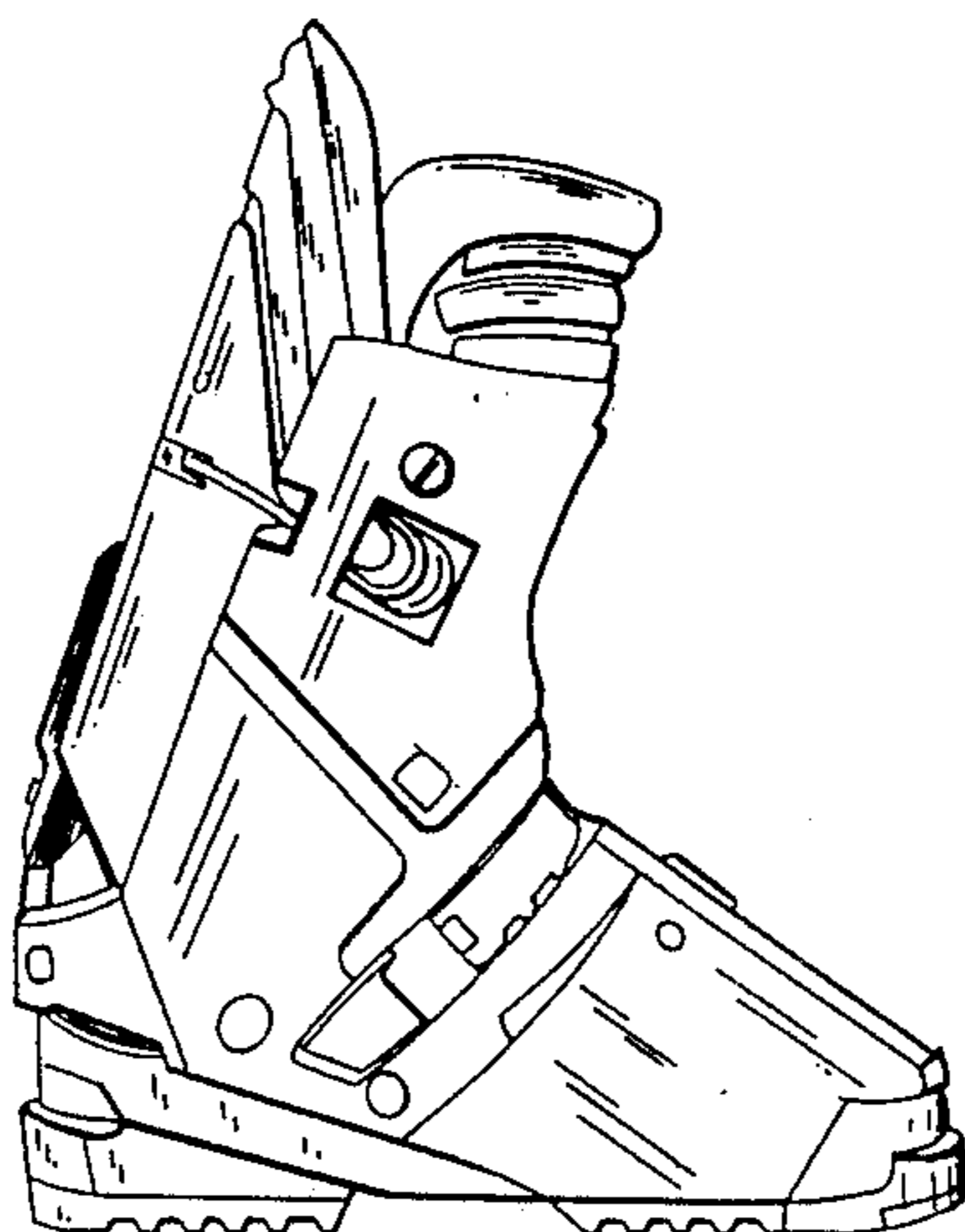
Primary Examiner—Louis S. Zarfes  
 Attorney, Agent, or Firm—Sandler, Greenblum & Bernstein

[57] CLAIM

The ornamental design for an alpine ski boot, as shown and described.

DESCRIPTION

FIG. 1 is a left side elevational view of an alpine ski boot showing our new design;  
 FIG. 2 is a right side elevational view;  
 FIG. 3 is a front elevational view;  
 FIG. 4 is a rear elevational view;  
 FIG. 5 is a top plan view; and  
 FIG. 6 is a bottom plan view.



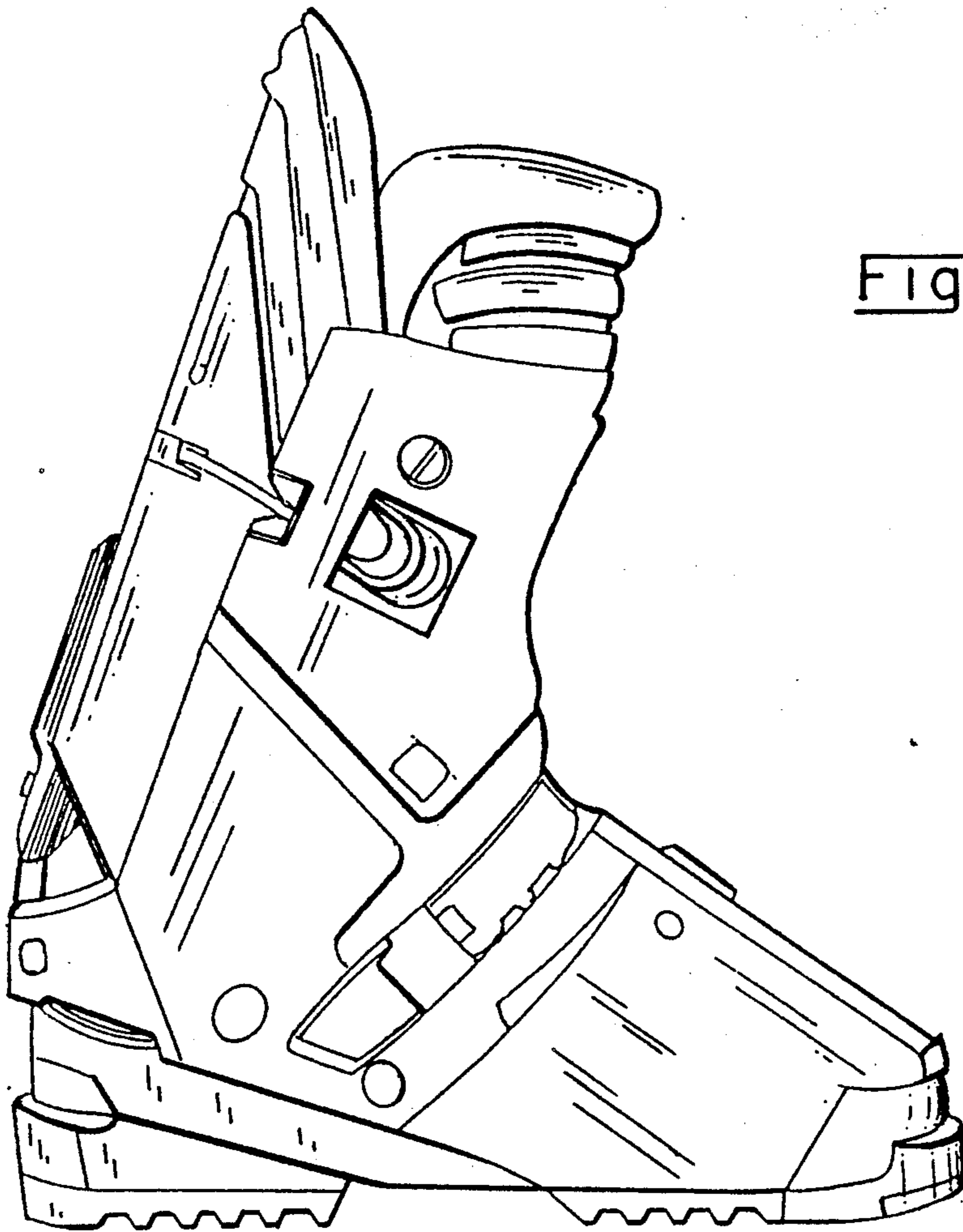


FIG. 1

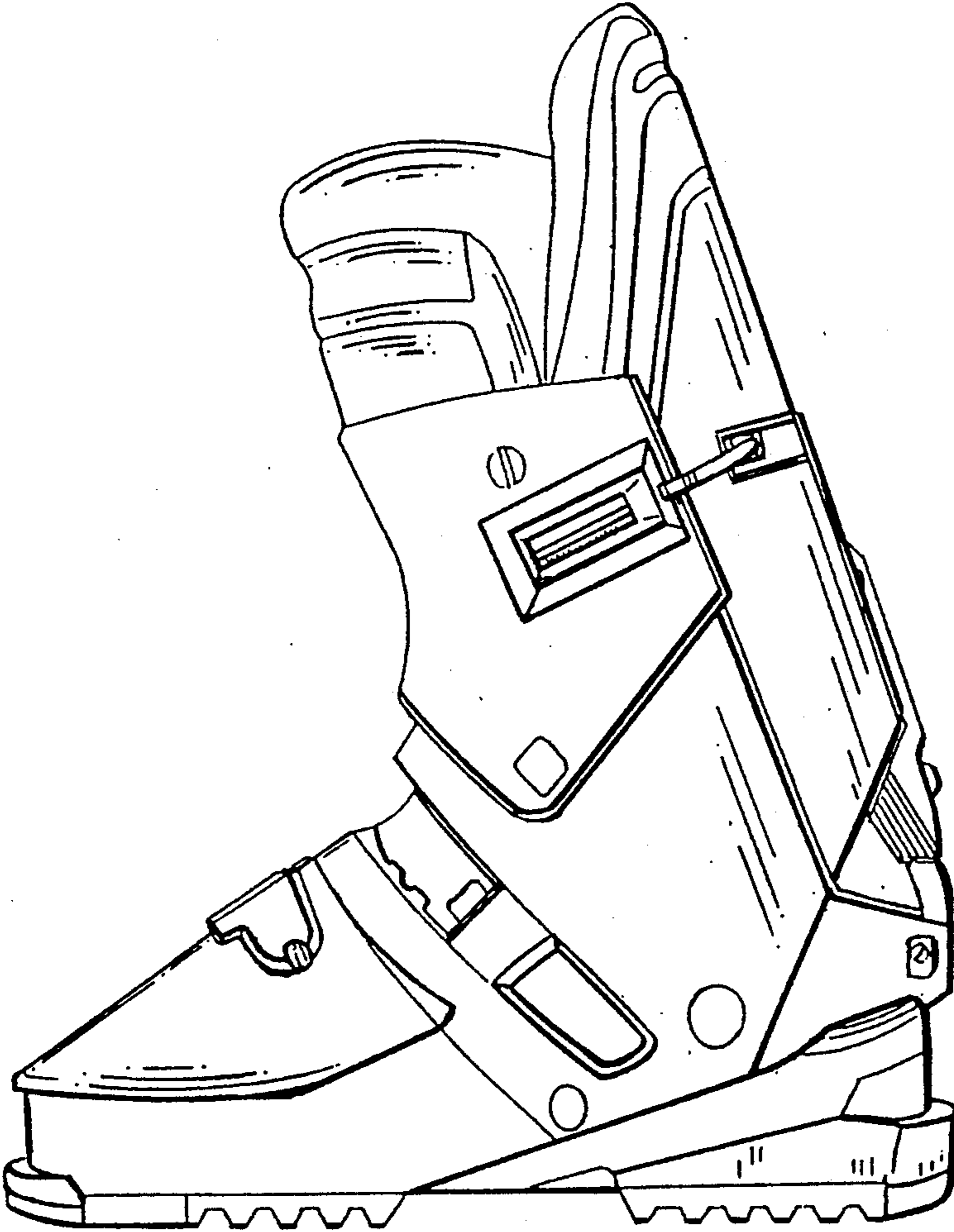
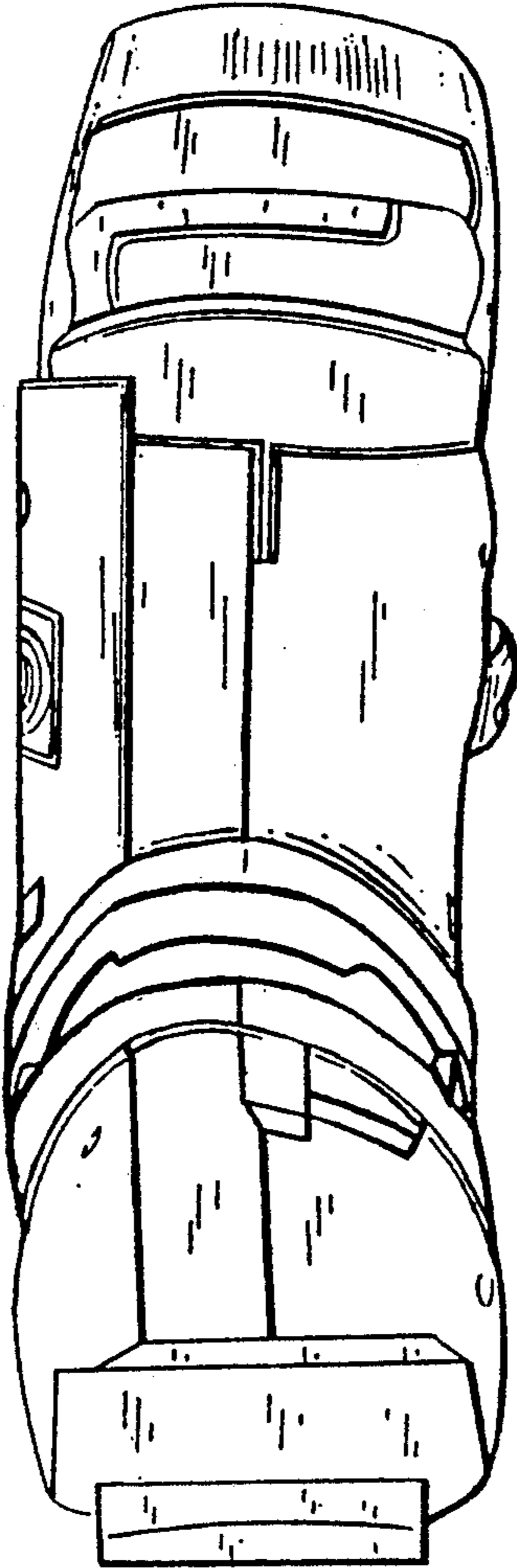


FIG - 2

Fig - 3



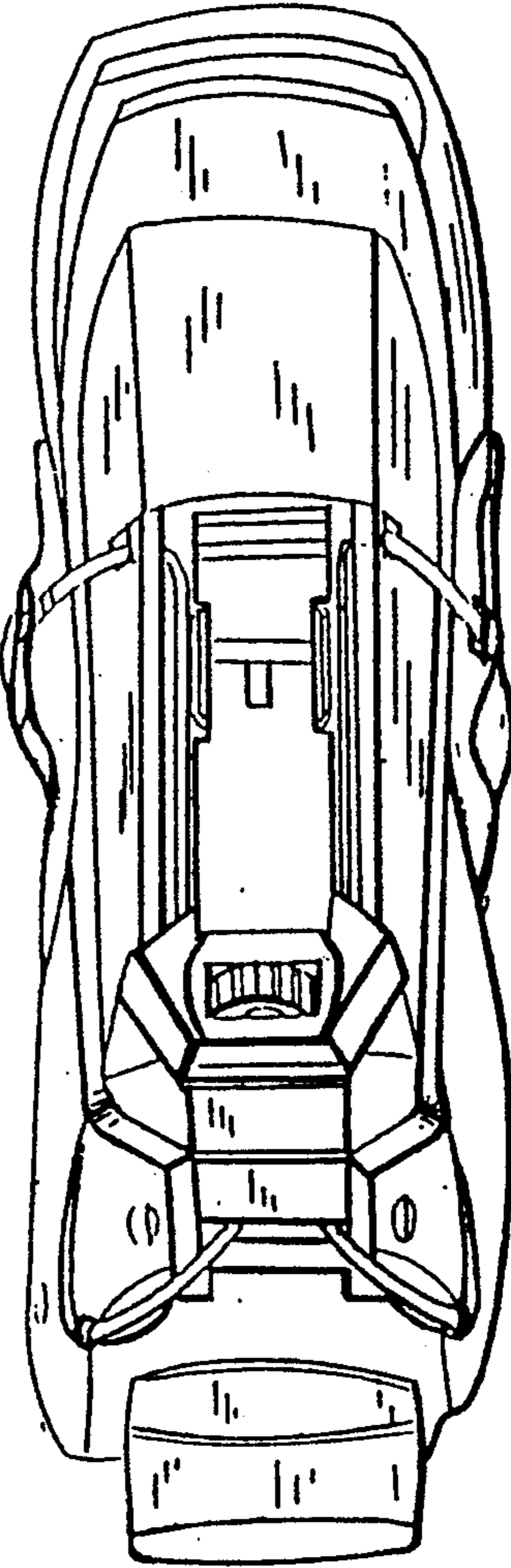


FIG - 4

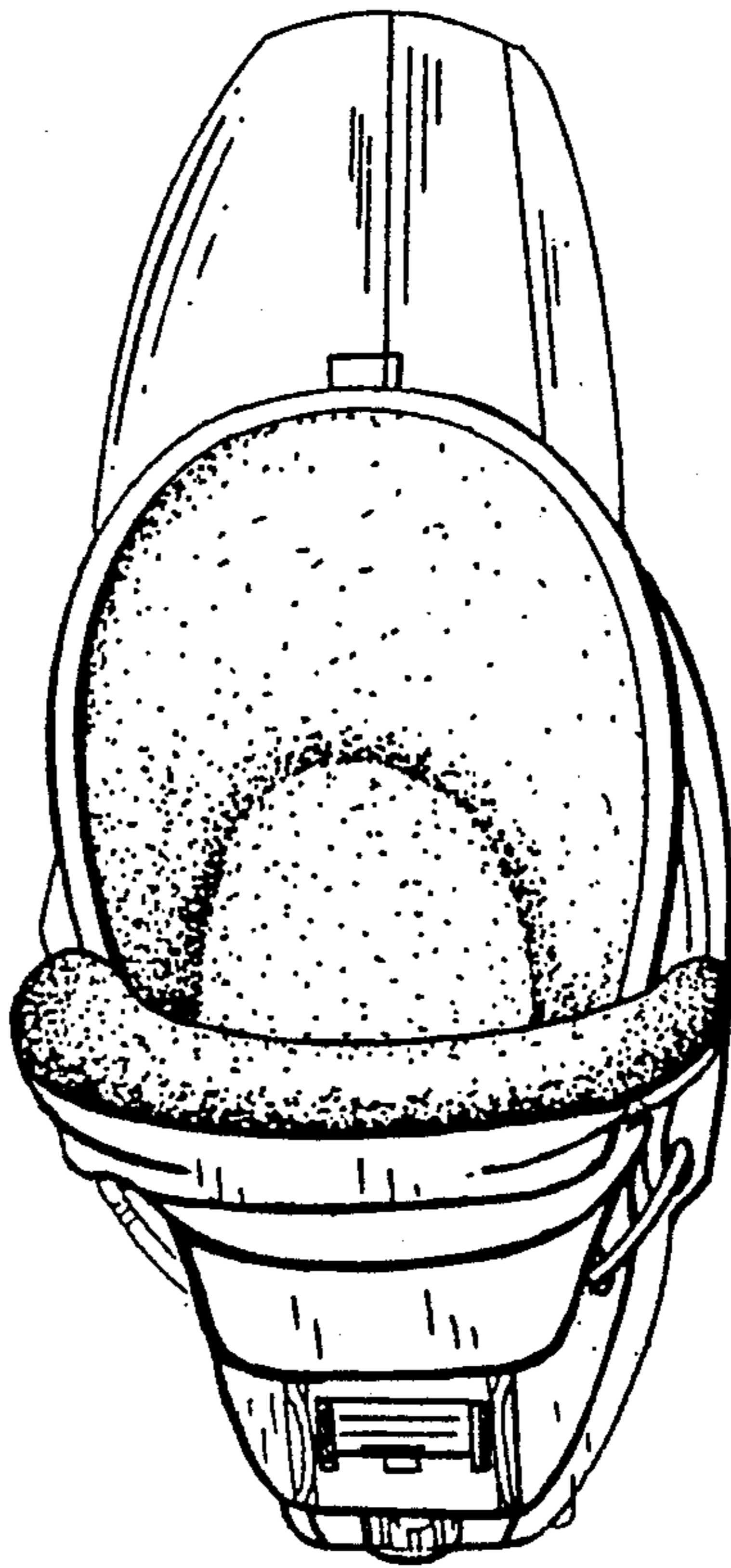


FIG - 5

FIG - 6

