

[54] **CARRIAGE FOR A CONVEYING SYSTEM**

[75] **Inventor: Simon Cowlin, Kelsale, England**

[73] **Assignee: Loctronic International Limited,
Danbury, England**

[**] **Term: 14 Years**

[21] **Appl. No.: 309,565**

[22] **Filed: Feb. 13, 1989**

[30] **Foreign Application Priority Data**

Aug. 16, 1988 [GB] United Kingdom 1053021

[52] **U.S. Cl. D34/29**

[58] **Field of Search D34/29; 198/384, 385,
198/387**

[56] **References Cited**

U.S. PATENT DOCUMENTS

D. 296,198	7/1988	Buchanan	D34/29 X
D. 303,974	10/1989	Karr	D34/29 X
2,913,028	11/1959	Hait	198/385 X
3,857,472	12/1974	Klint	198/387 X
4,730,719	3/1988	Brown et al.	198/387

Primary Examiner—Wallace R. Burke
Assistant Examiner—Holly H. Baynham
Attorney, Agent, or Firm—Cushman, Darby & Cushman

[57] **CLAIM**

The ornamental design for a carriage for a conveying system, as shown.

DESCRIPTION

FIG. 1 is a top, front perspective view of a carriage for a conveying system showing my new design; FIG. 2 is a perspective view thereof as seen from the bottom and opposite side and end of FIG. 1.

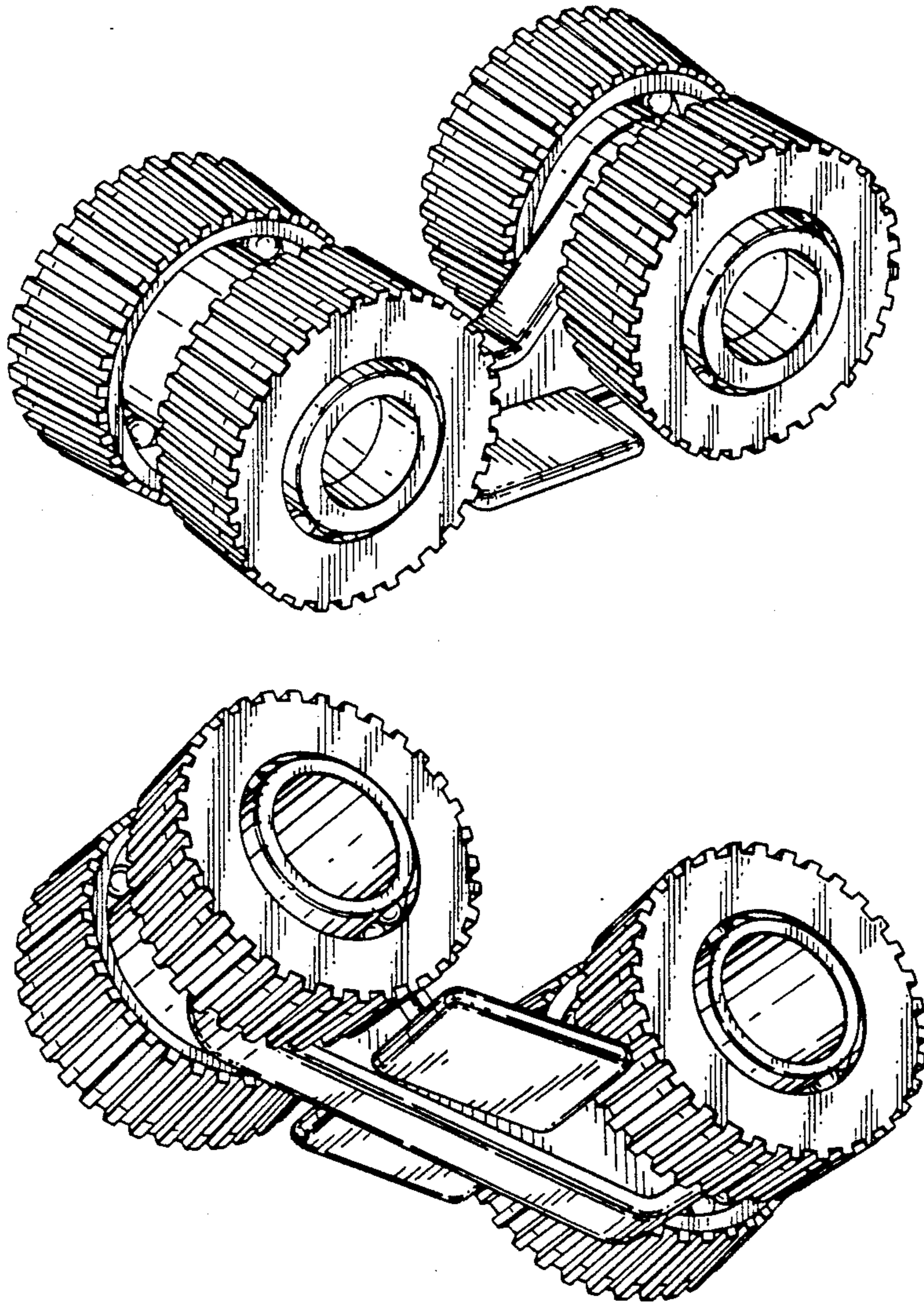


FIG. 1.

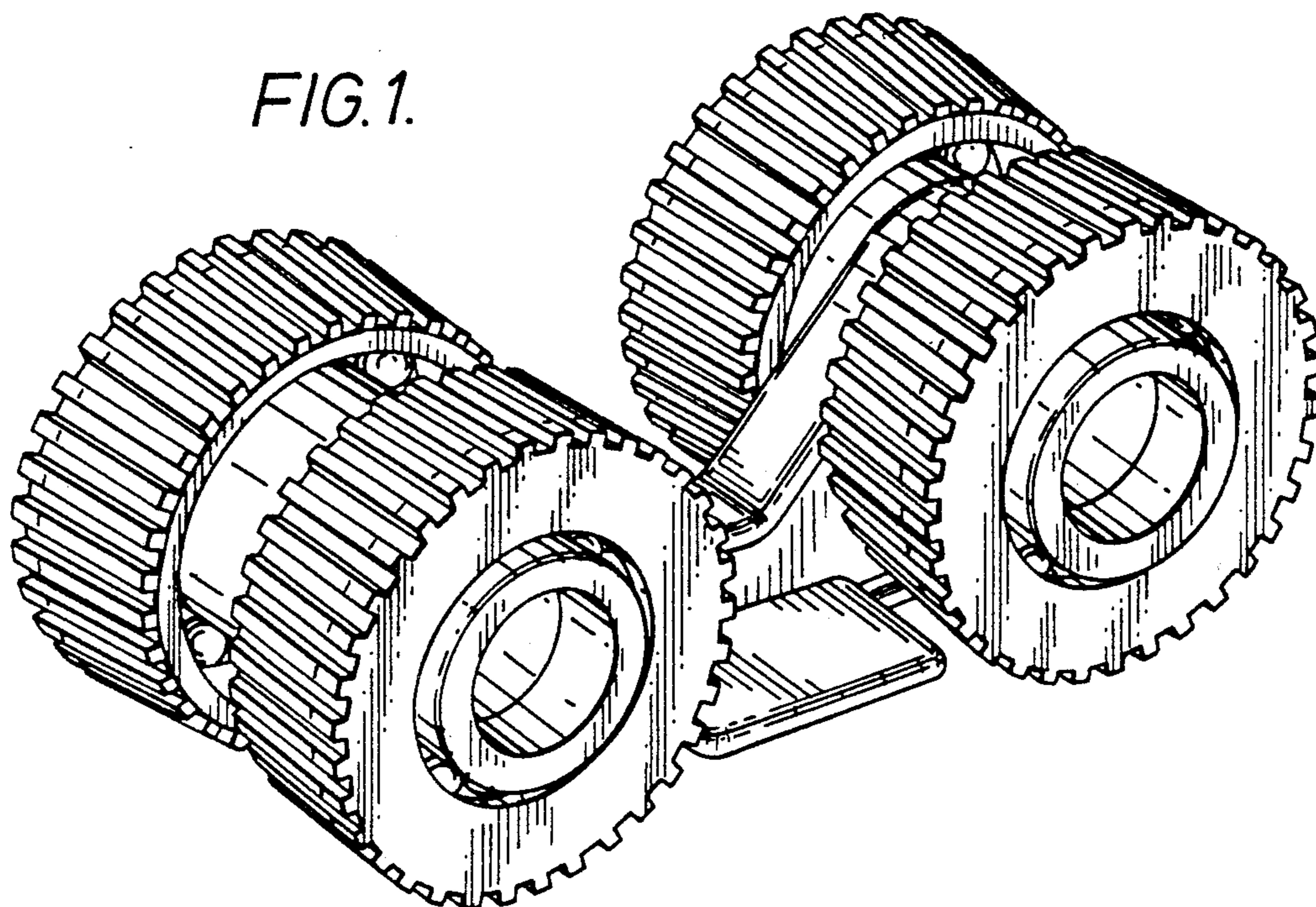


FIG. 2.

