

[54] WALL MOUNTED BAG HOLDING RACK

[75] Inventor: Catherine S. Bulkens, Lilburn, Ga.

[73] Assignee: French Can-Can, Inc., Lilburn, Ga.

[**] Term: 14 Years

[21] Appl. No.: 370,582

[22] Filed: Jun. 23, 1989

[52] U.S. Cl. D34/6; D34/1

[58] Field of Search D34/1, 5, 6; 248/95, 248/97, 99, 100, 101, 153; 211/71, 75, 85, 87, 88, 48.2; D6/553, 567, 555; 220/908, 909, 910

[56] References Cited

U.S. PATENT DOCUMENTS

3,679,160 7/1972 Ballenger 248/97

4,708,216 11/1987 Spiess 248/99

4,927,104 5/1990 Miller D34/5

Primary Examiner—Kay H. Chin

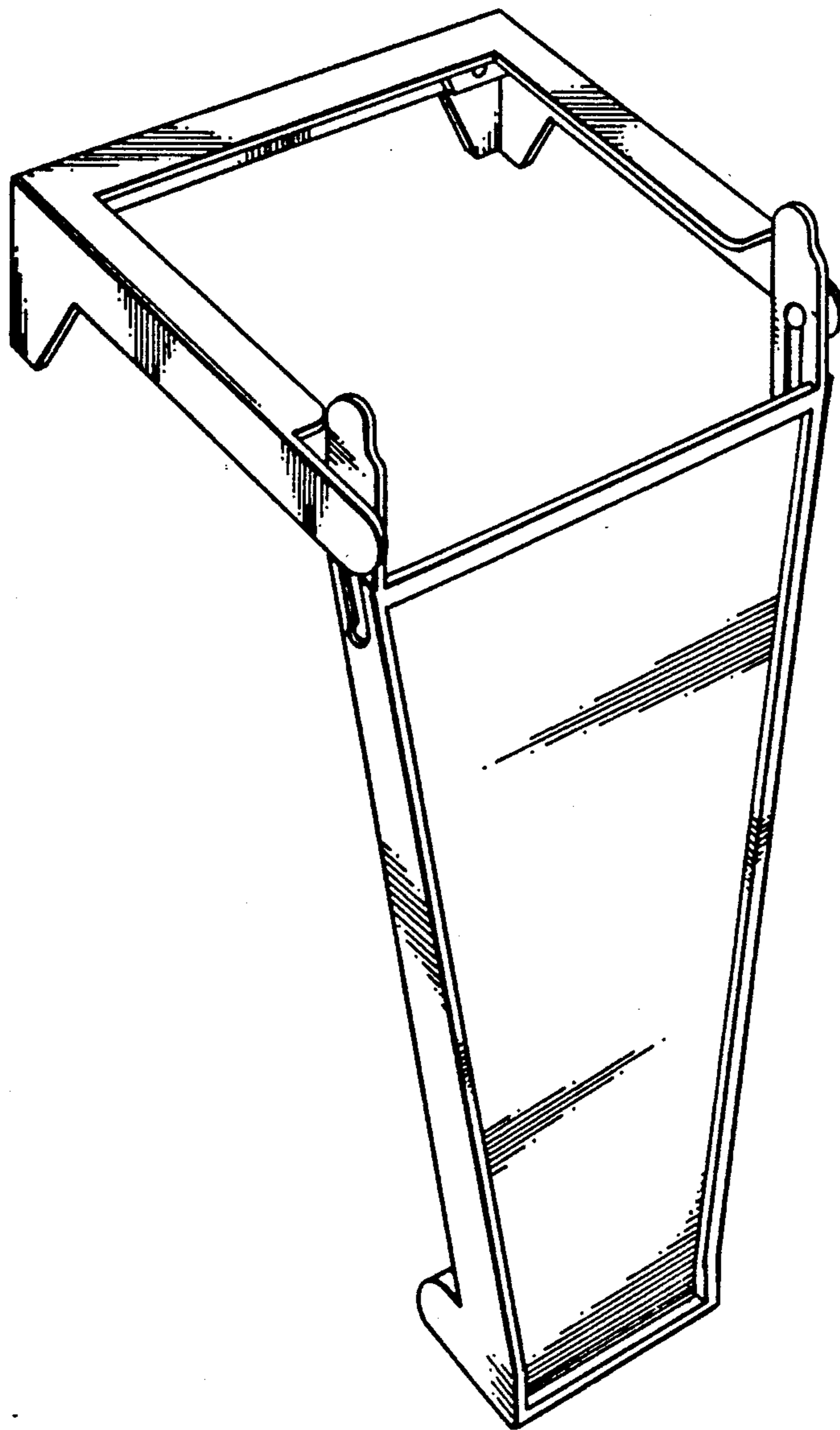
Attorney, Agent, or Firm—James A. Hinkle

[57] CLAIM

The ornamental design for a wall mounted bag holding rack, as shown and described.

DESCRIPTION

FIG. 1 is a top and front perspective view of a wall mounted bag holding rack showing my new design; FIG. 2 is a bottom plan view thereof; FIG. 3 is a left side elevational view thereof; FIG. 4 is a front elevational view thereof; FIG. 5 is a rear elevational view thereof; FIG. 6 is a right side elevational view thereof; and FIG. 7 is a top plan view thereof.



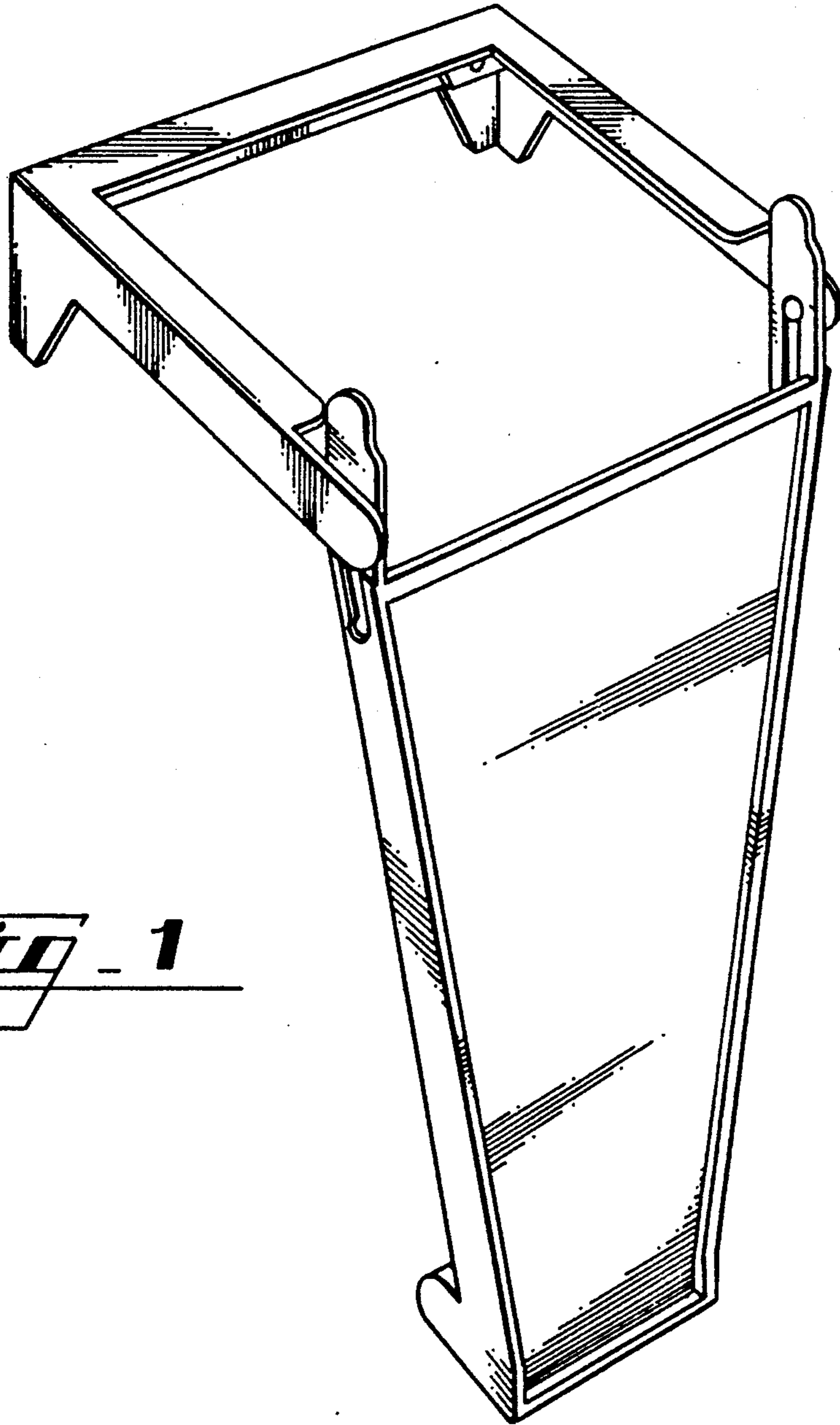


Fig. 1

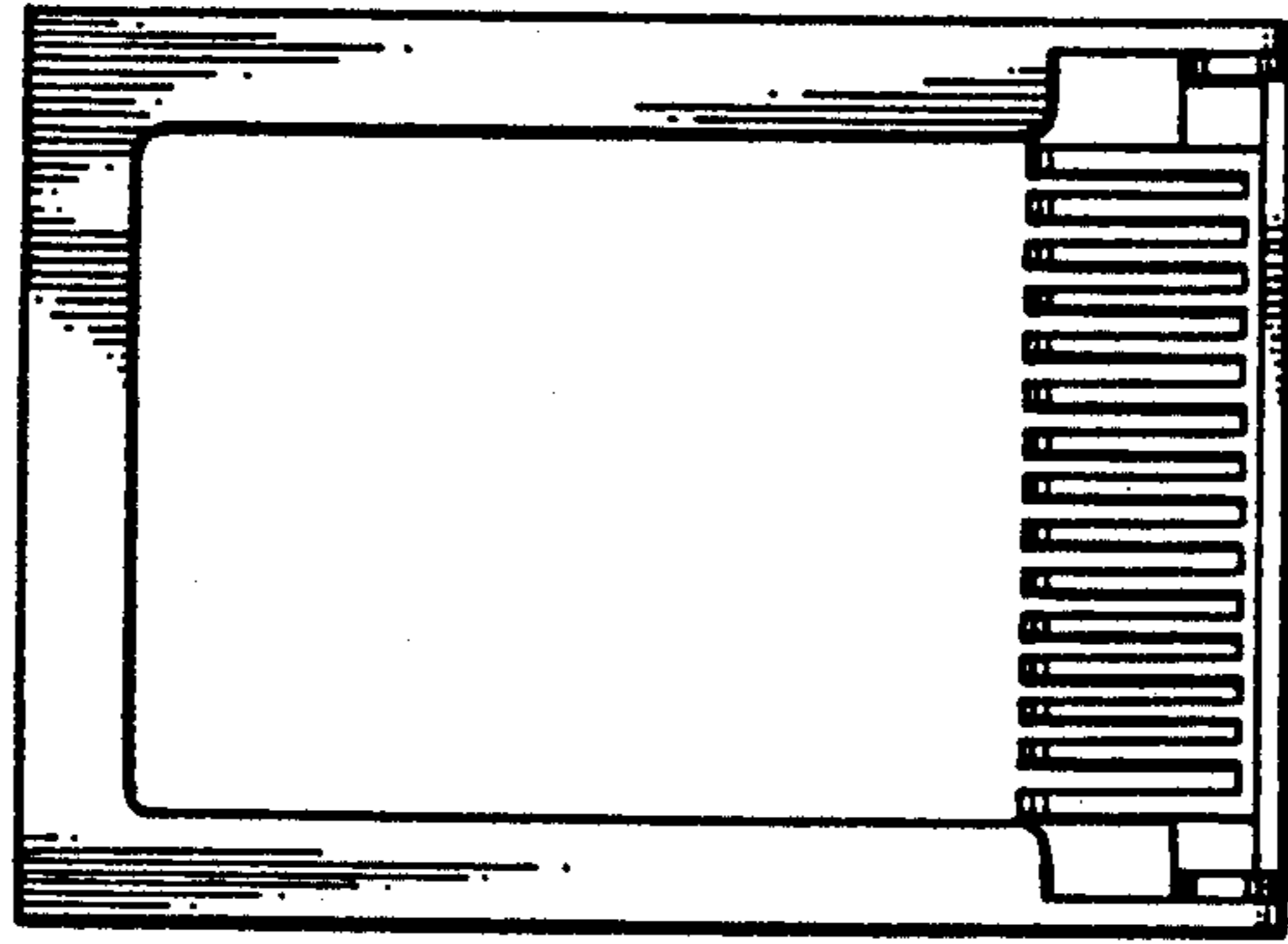


Fig. 2

Fig. 4

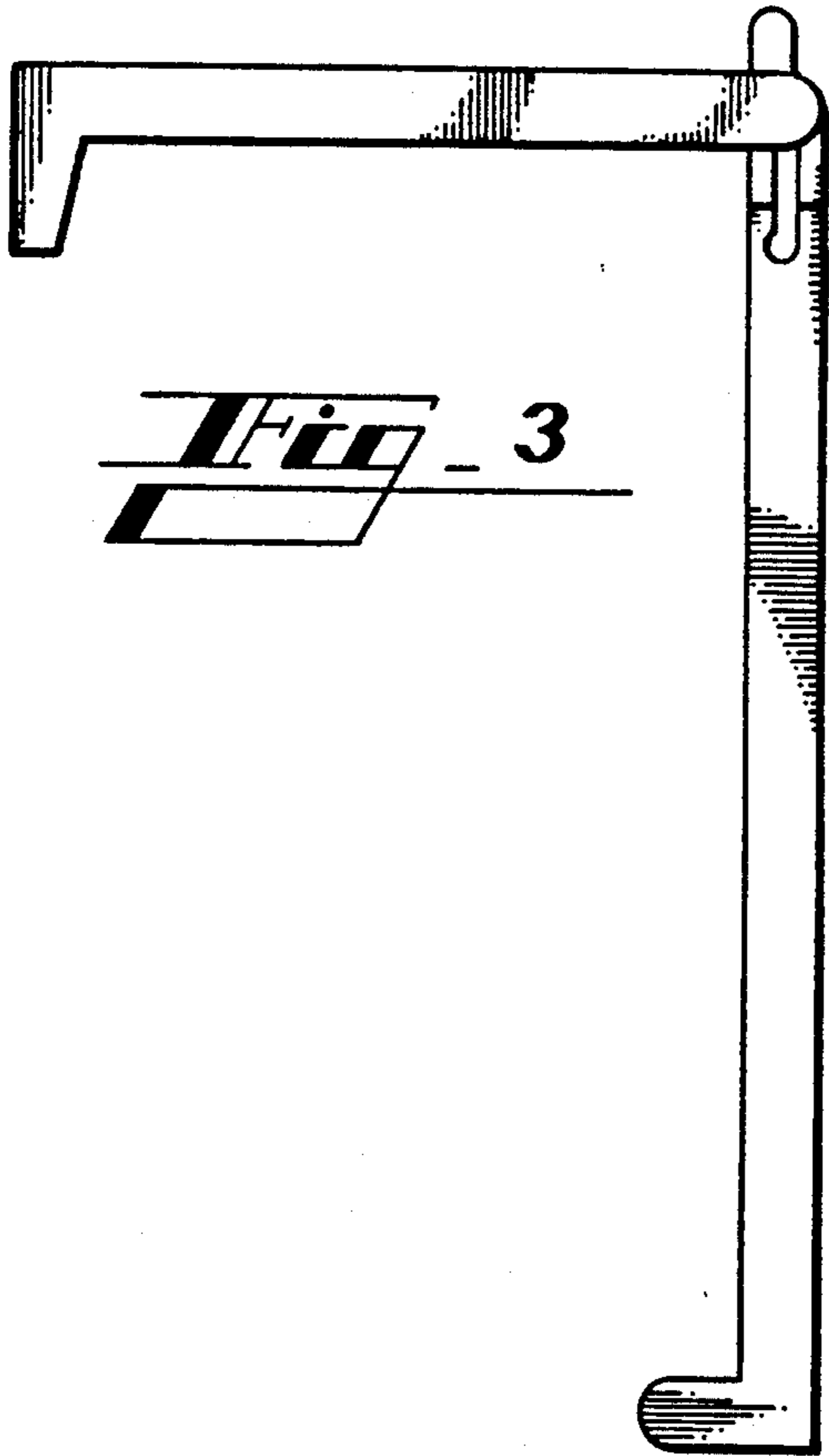
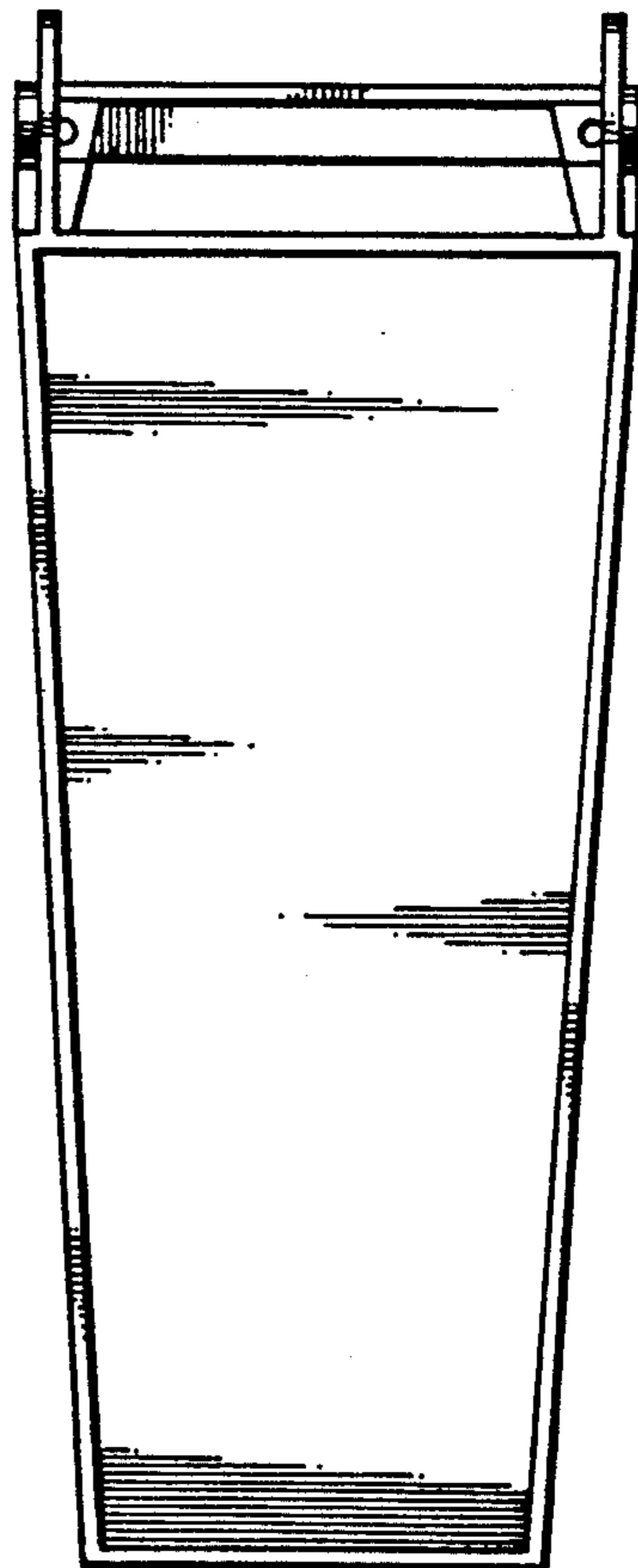


Fig. 3



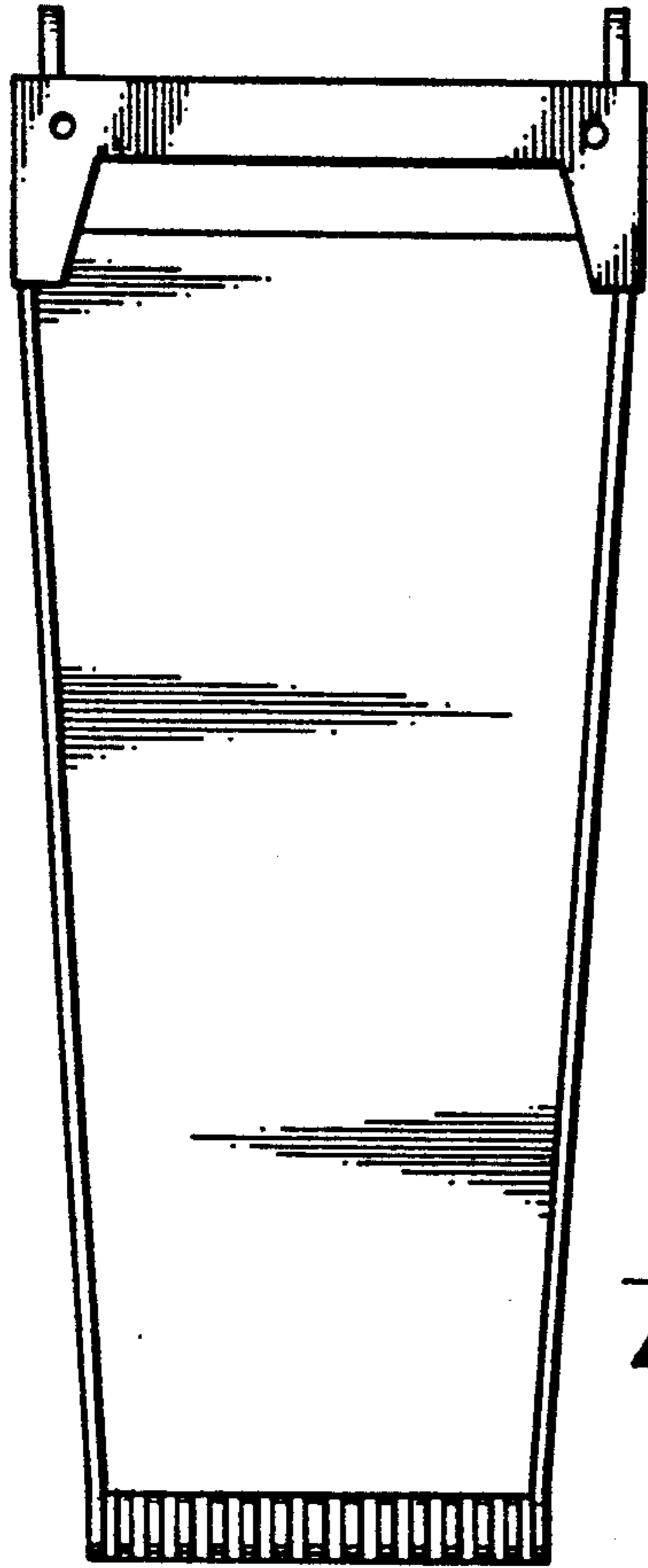


Fig. 5

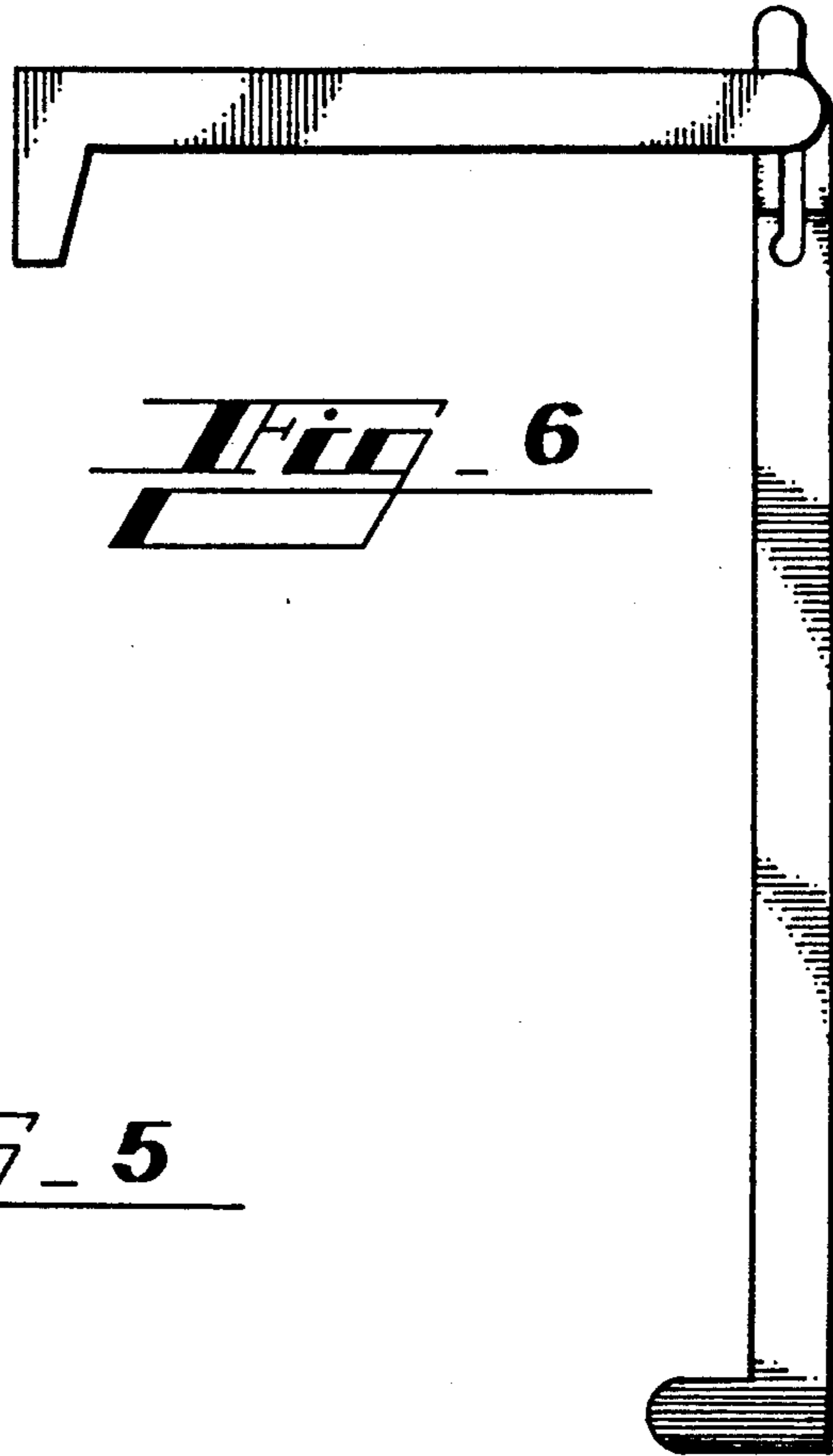


Fig. 6

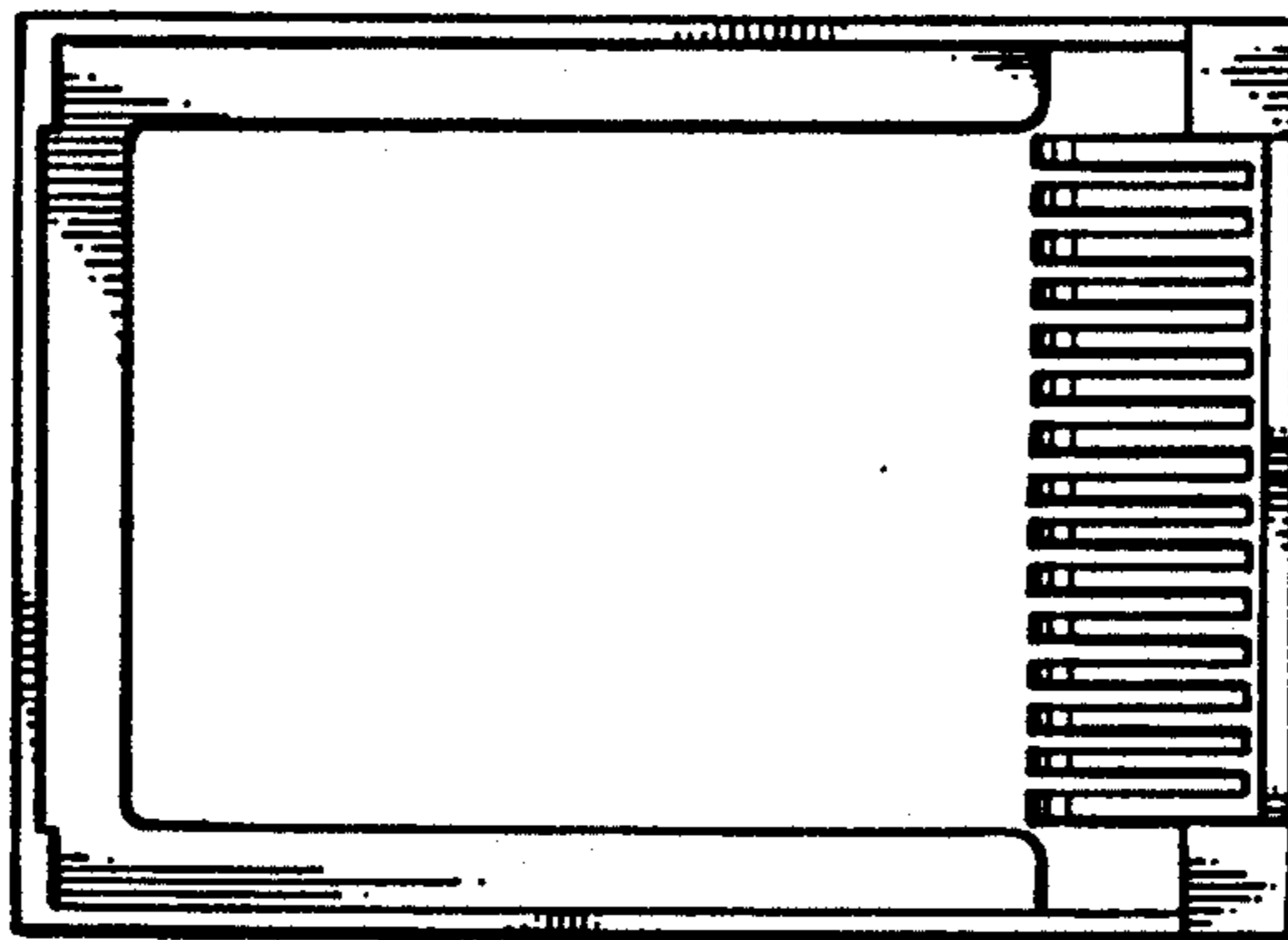


Fig. 7