

[54] **GARBAGE CAN RACK**

[76] **Inventor: Johnny G. Allen, 603 Cedar Ave.,
P.O. Box 3667, Albany, Ga. 31706**

[**] **Term: 14 Years**

[21] **Appl. No.: 437,991**

[22] **Filed: Nov. 20, 1989**

[52] **U.S. Cl. D34/5; D6/556**

[58] **Field of Search D34/1, 5, 6; D6/556,
D6/557, 558; 248/147, 95, 97, 99, DIG. 7;
211/71, 83**

[56] **References Cited**

U.S. PATENT DOCUMENTS

D. 170,695 10/1953 Kane D34/6

D. 214,849 8/1969 Barrett D34/6
D. 248,364 7/1978 Allen D34/6
3,232,441 2/1966 Mitscherling 211/71

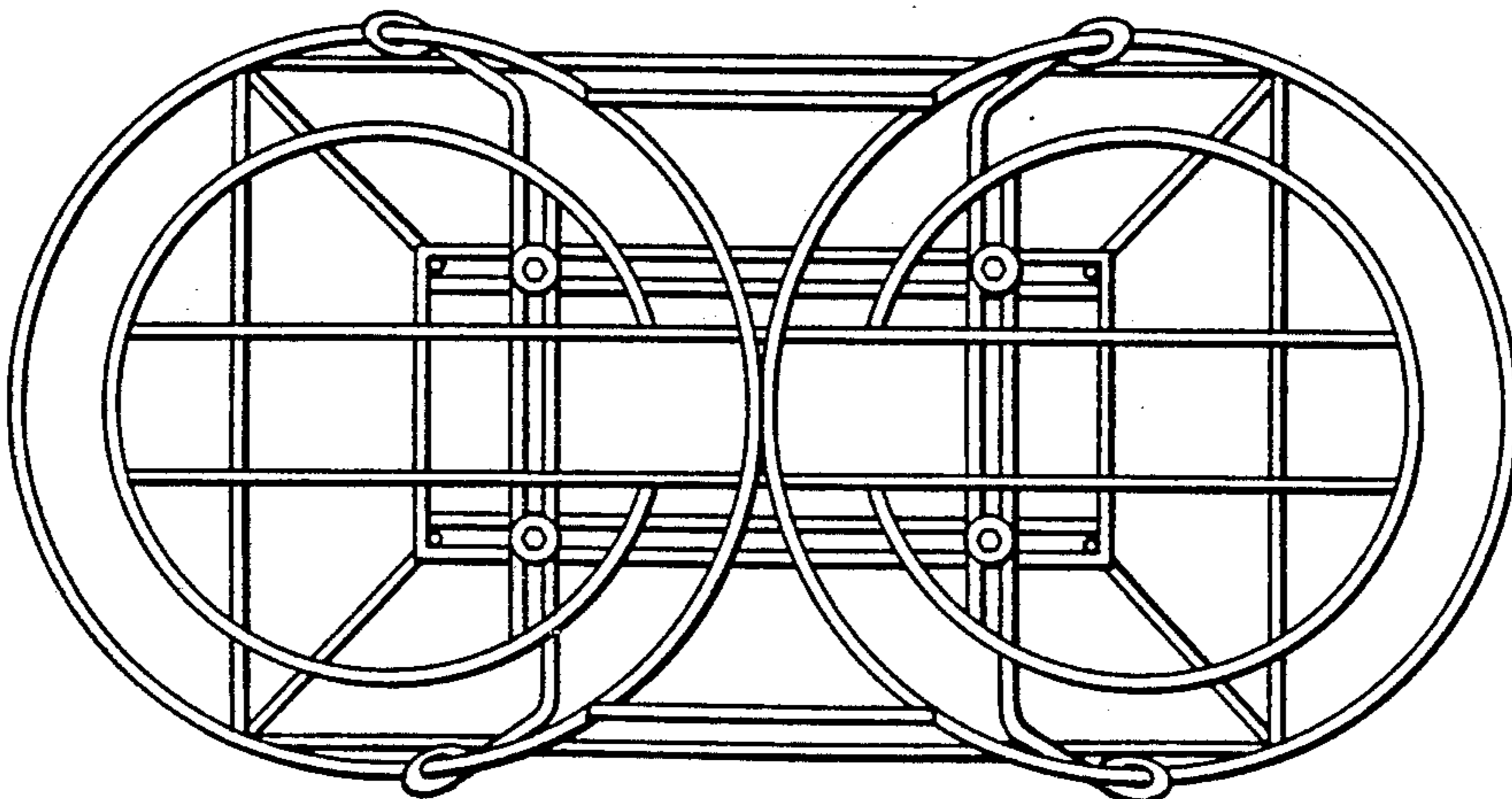
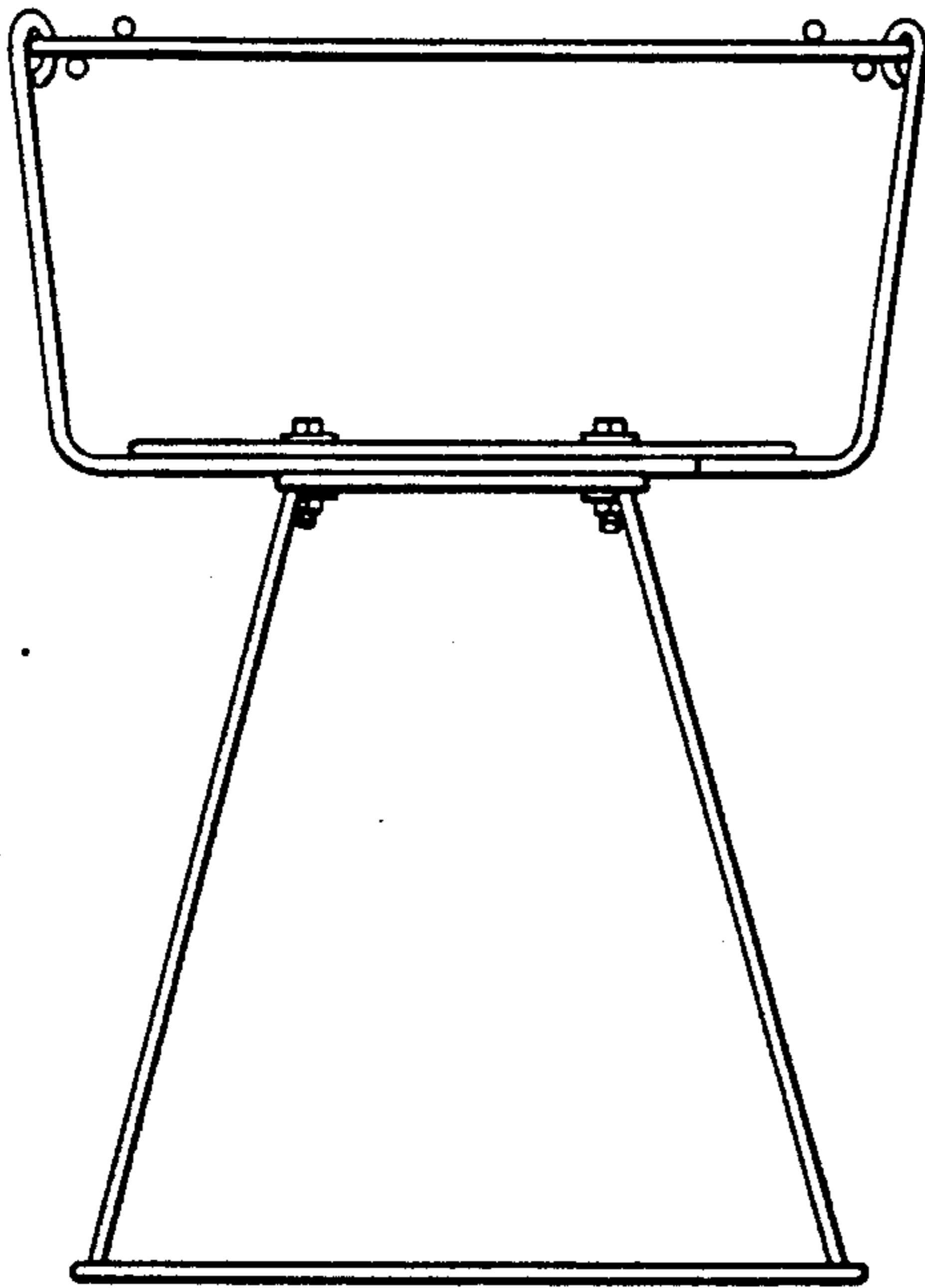
Primary Examiner—Kay H. Chin
Attorney, Agent, or Firm—Dowell & Dowell

[57] **CLAIM**

The ornamental design for a garbage can rack, as shown and described.

DESCRIPTION

FIG. 1 is a front elevational view of a garbage can rack showing my new design;
FIG. 2 is a rear elevational view thereof;
FIG. 3 is a left side elevational view thereof;
FIG. 4 is a right side elevational view thereof; and
FIG. 5 is a top plan view thereof.



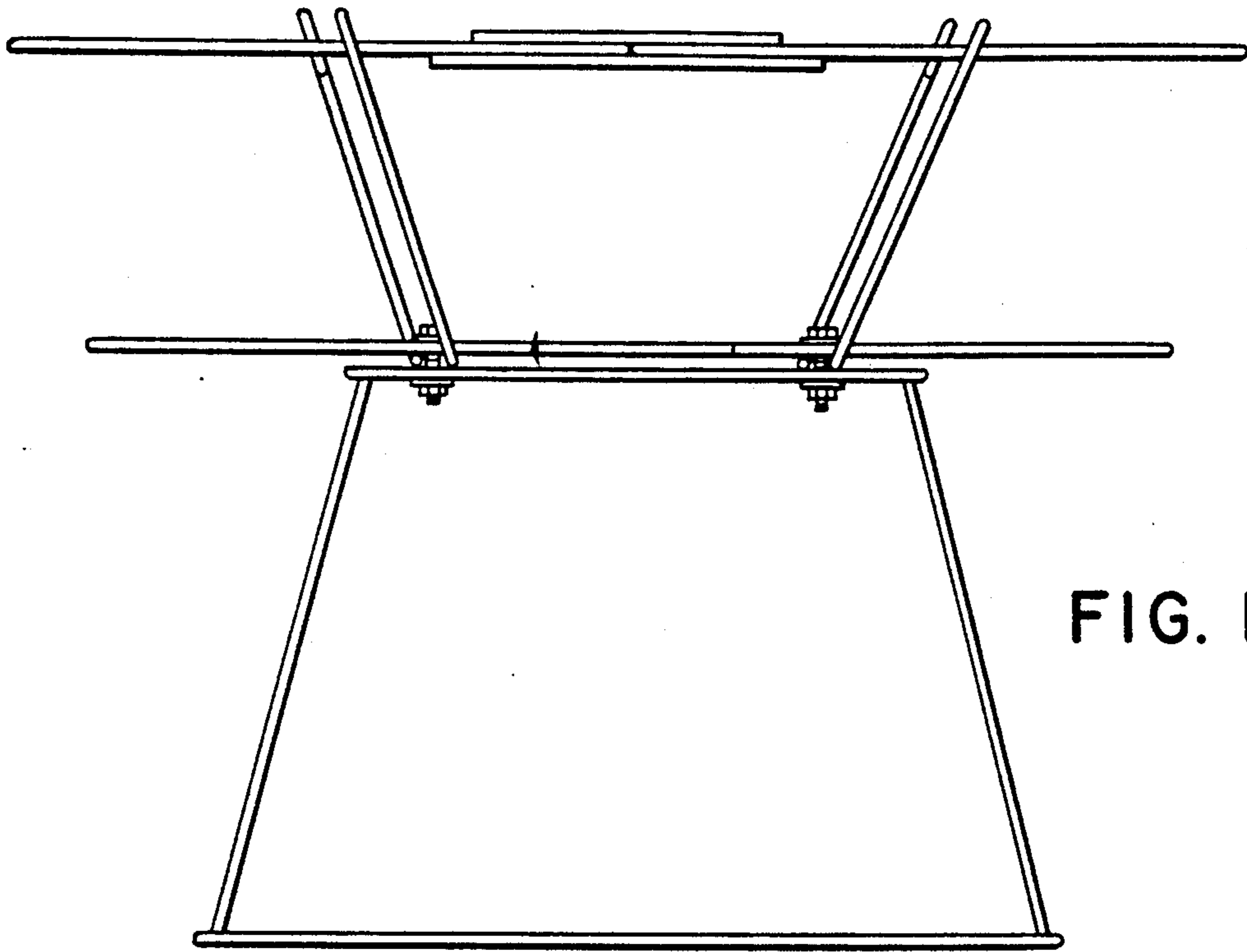


FIG. 1

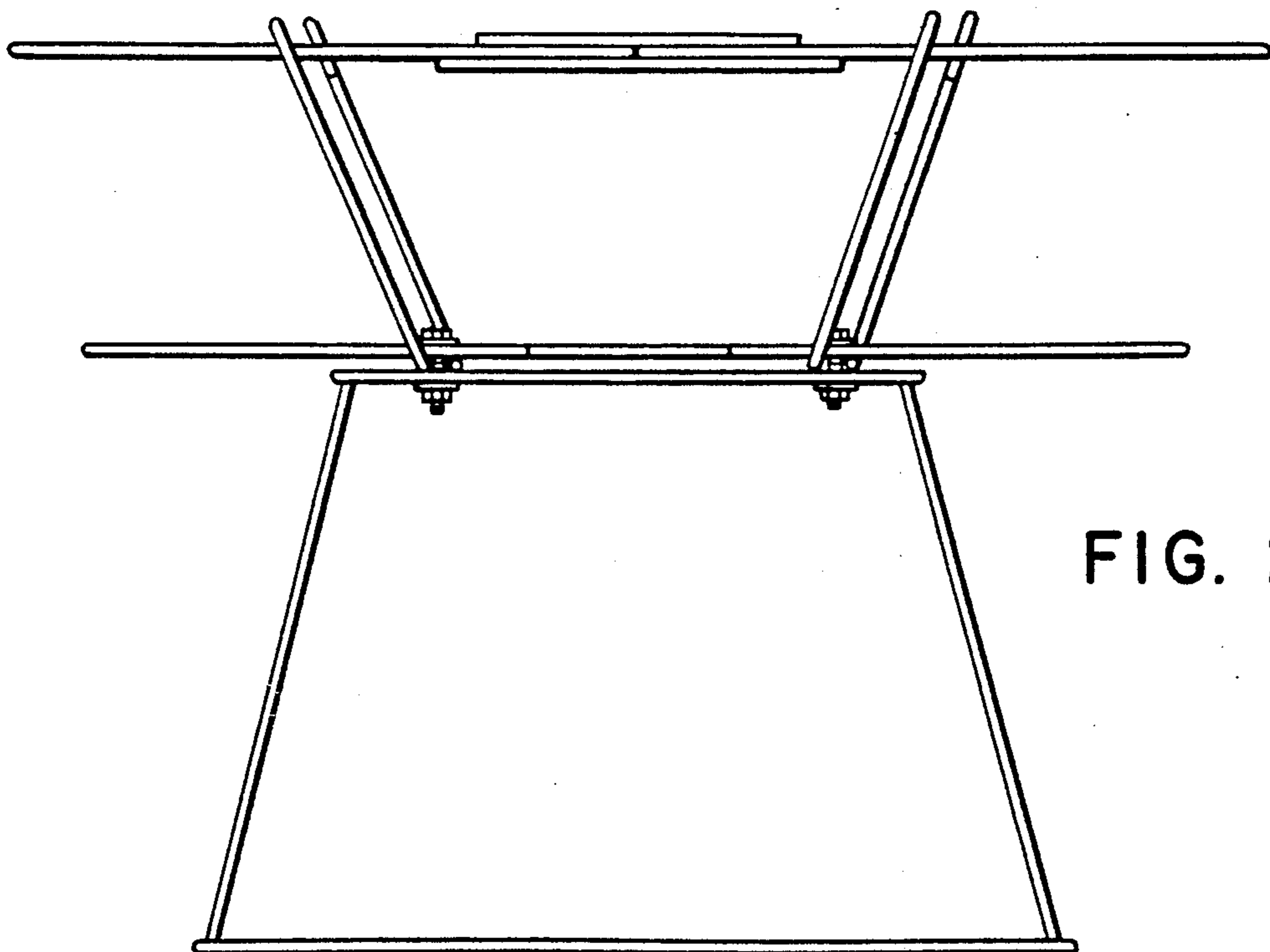


FIG. 2

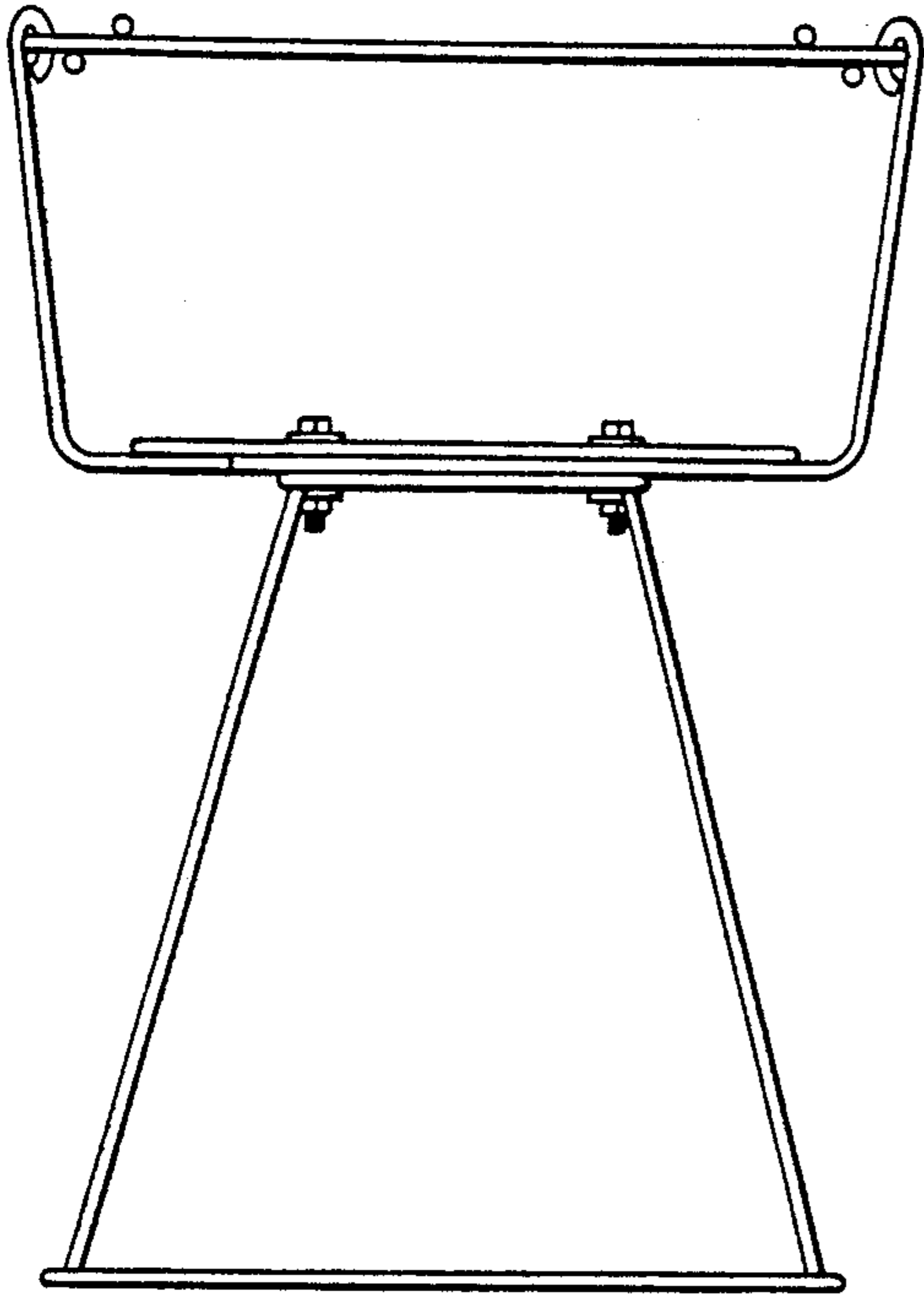


FIG. 3

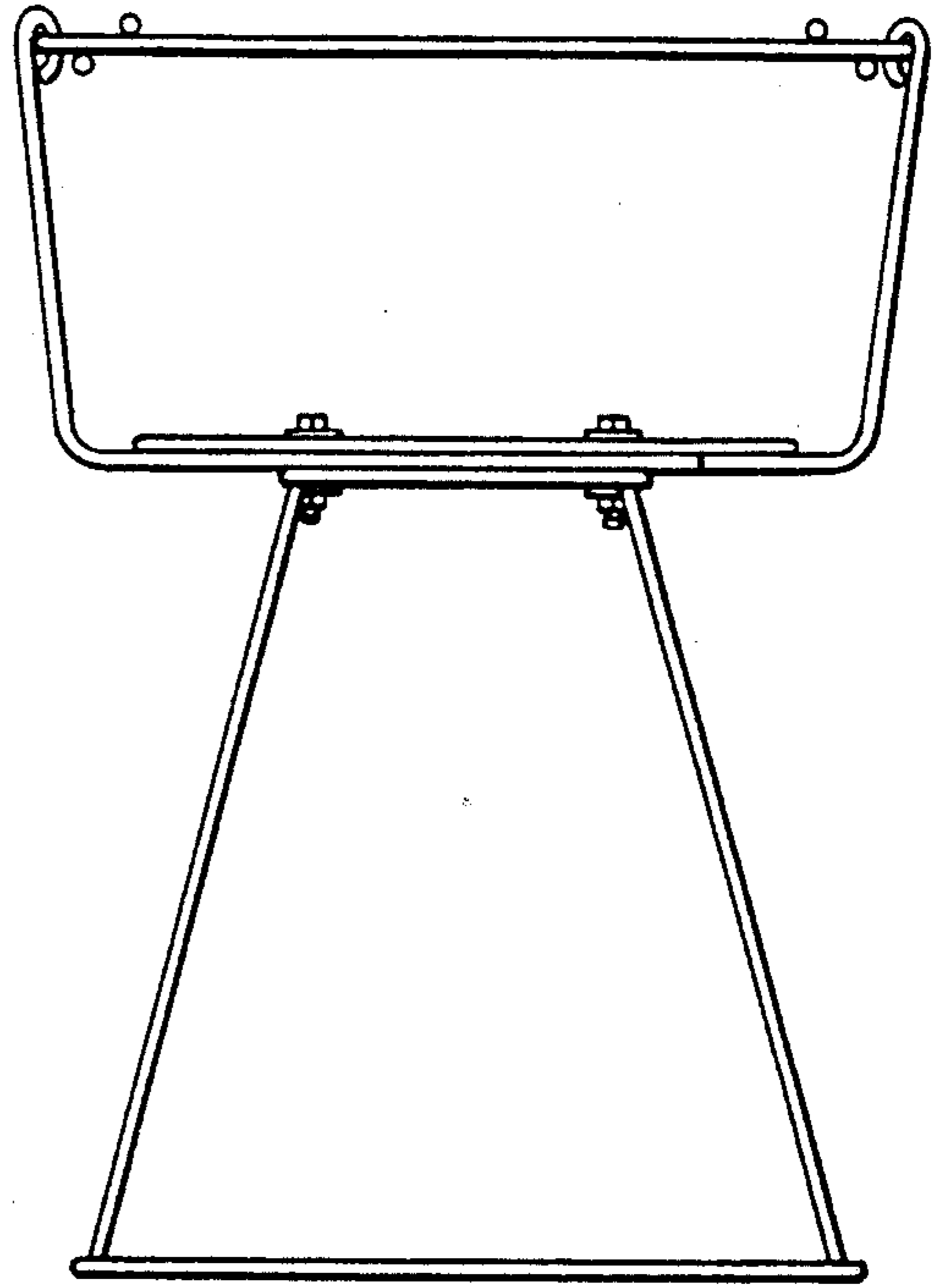


FIG. 4

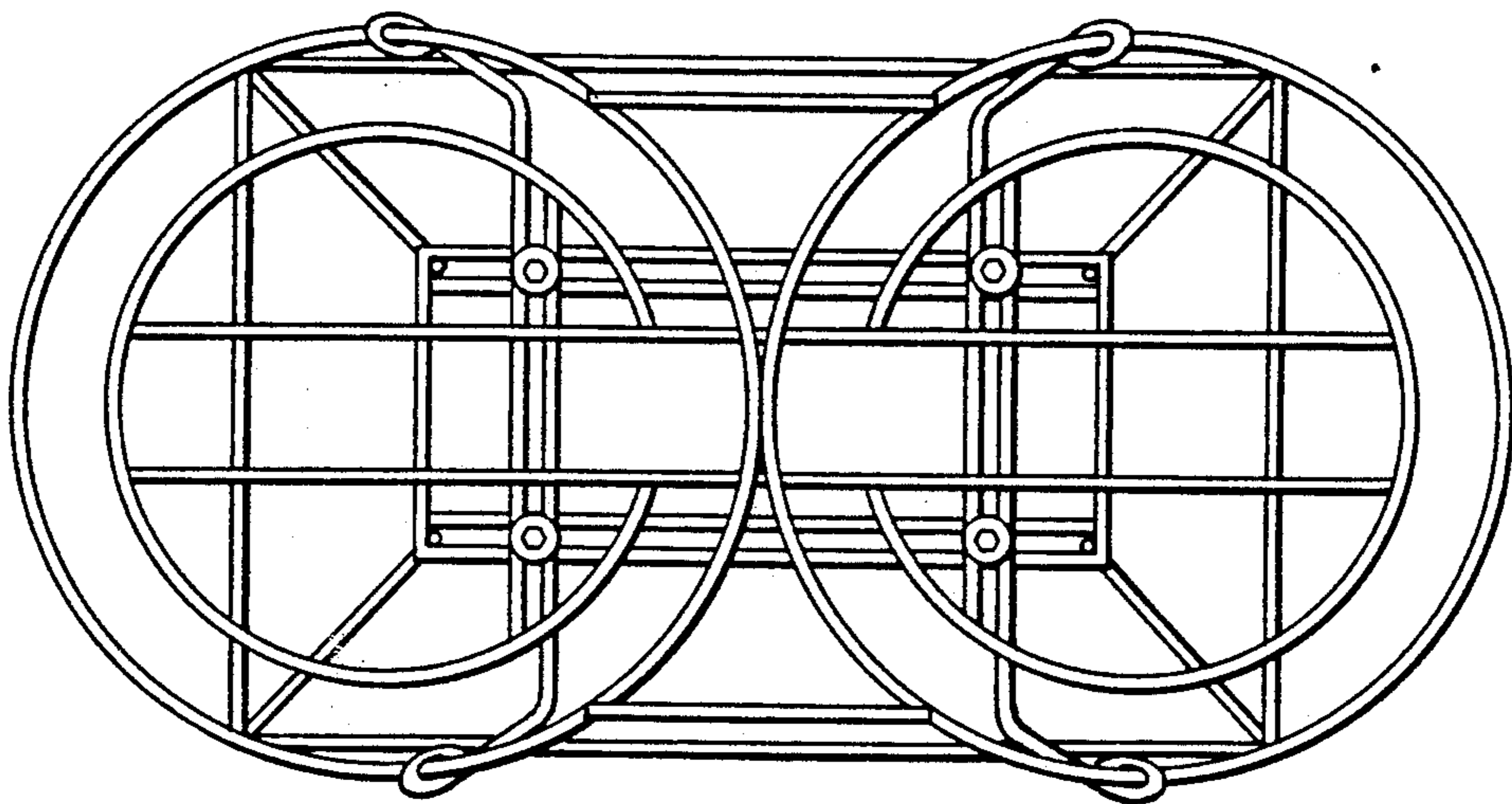


FIG. 5