

[54] LABORATORY ANIMAL CAGE CRADLE

2,903,137 9/1959 Brown 211/106
4,387,811 6/1983 Ragir et al. 211/106

[76] Inventor: Thomas O. Nass, 14502 La Cuarta,
Whittier, Calif. 90605

OTHER PUBLICATIONS

Publication—"Metro" catalog, sheet 10,12a for Super
Erecta Shelf slide inserts, 1983.

[**] Term: 14 Years

Primary Examiner—A. Hugo Word
Assistant Examiner—R. T. Seifert
Attorney, Agent, or Firm—Stetina and Brunda

[21] Appl. No.: 190,238

[22] Filed: May 4, 1988

[52] U.S. Cl. D30/119; D6/456;
211/106

[57] CLAIM

[58] Field of Search D30/119, 133; 119/20;
D6/465, 463, 574, 566, 474; 211/126, 106, 88,
181; 135/67; 248/165

The ornamental design for a laboratory animal cage
cradle, as shown and described.

DESCRIPTION

[56] References Cited

U.S. PATENT DOCUMENTS

D. 295,127 4/1988 Chap D6/456
2,746,609 5/1956 Welsh 211/106

FIG. 1 is a perspective view of a laboratory animal cage
cradle showing my new design;
FIG. 2 is a side elevational view thereof; and
FIG. 3 is a front elevational view thereof.

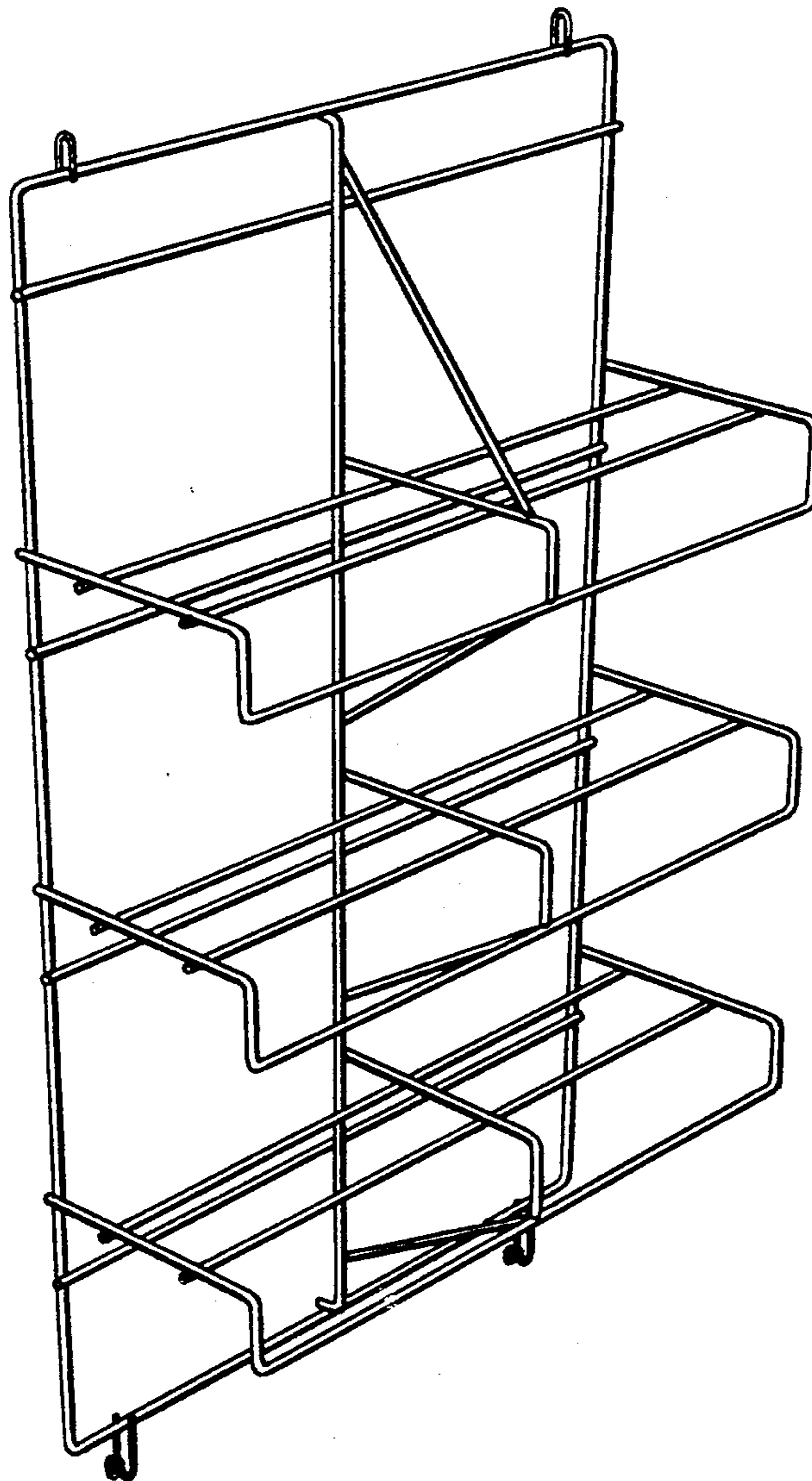


Fig. 1

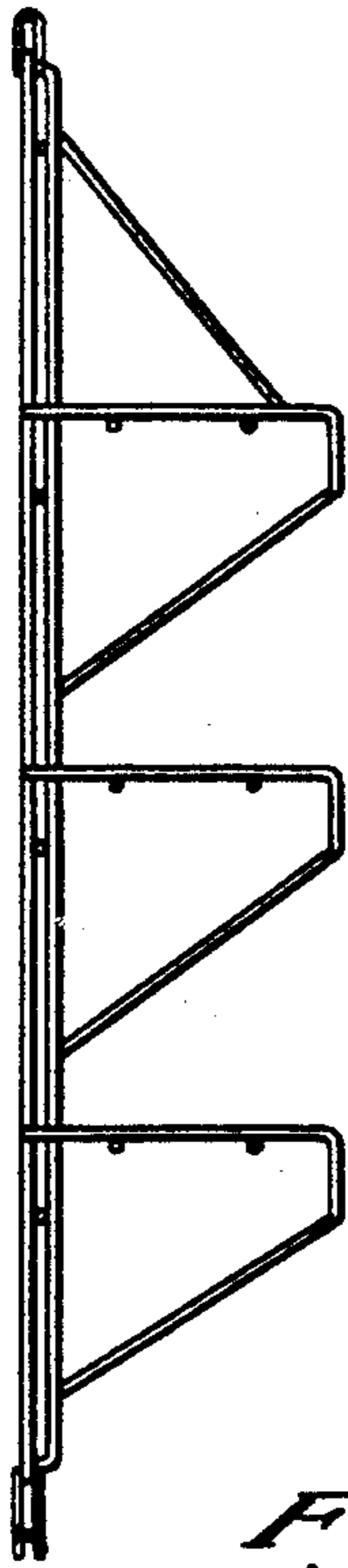
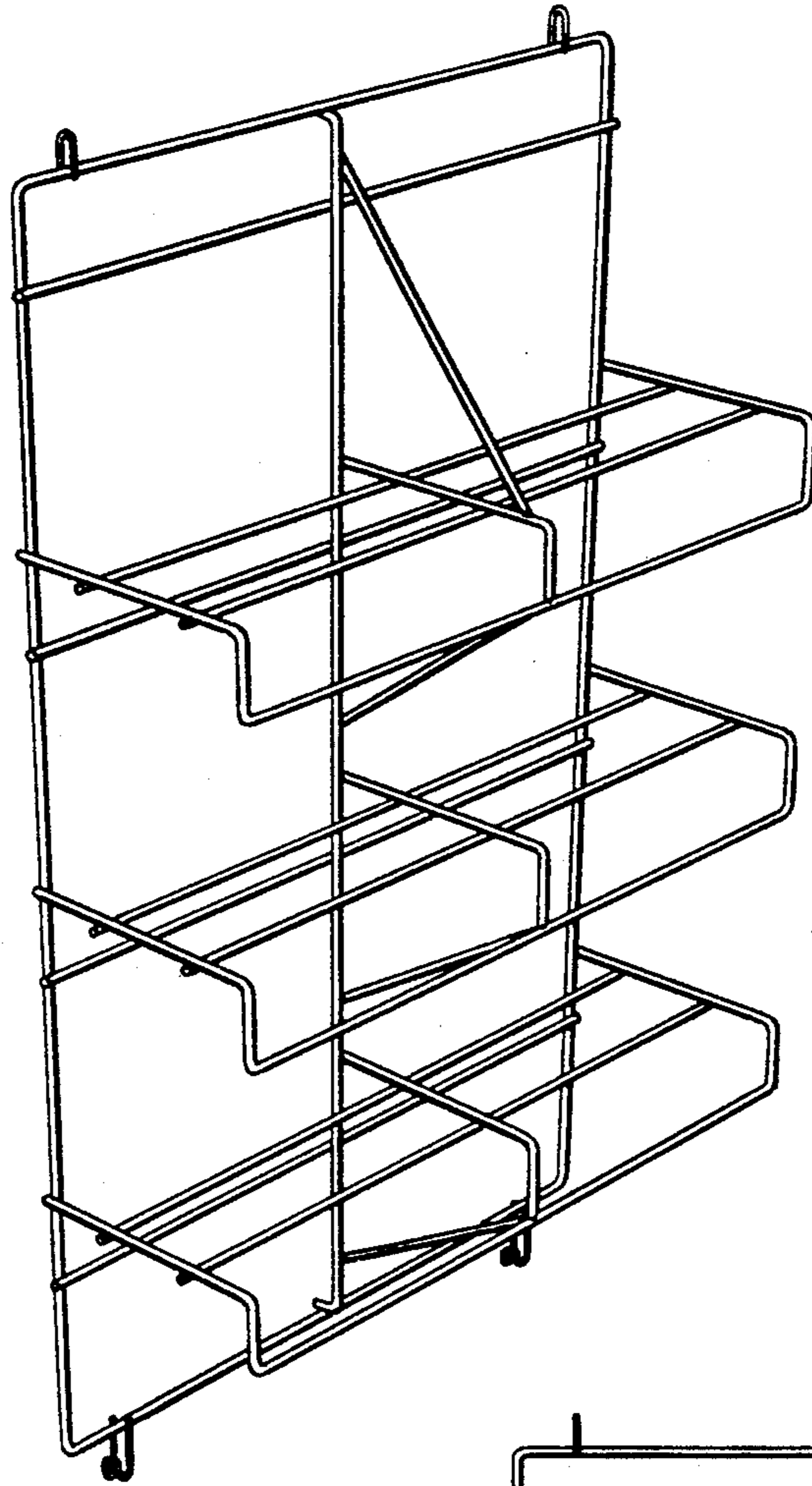
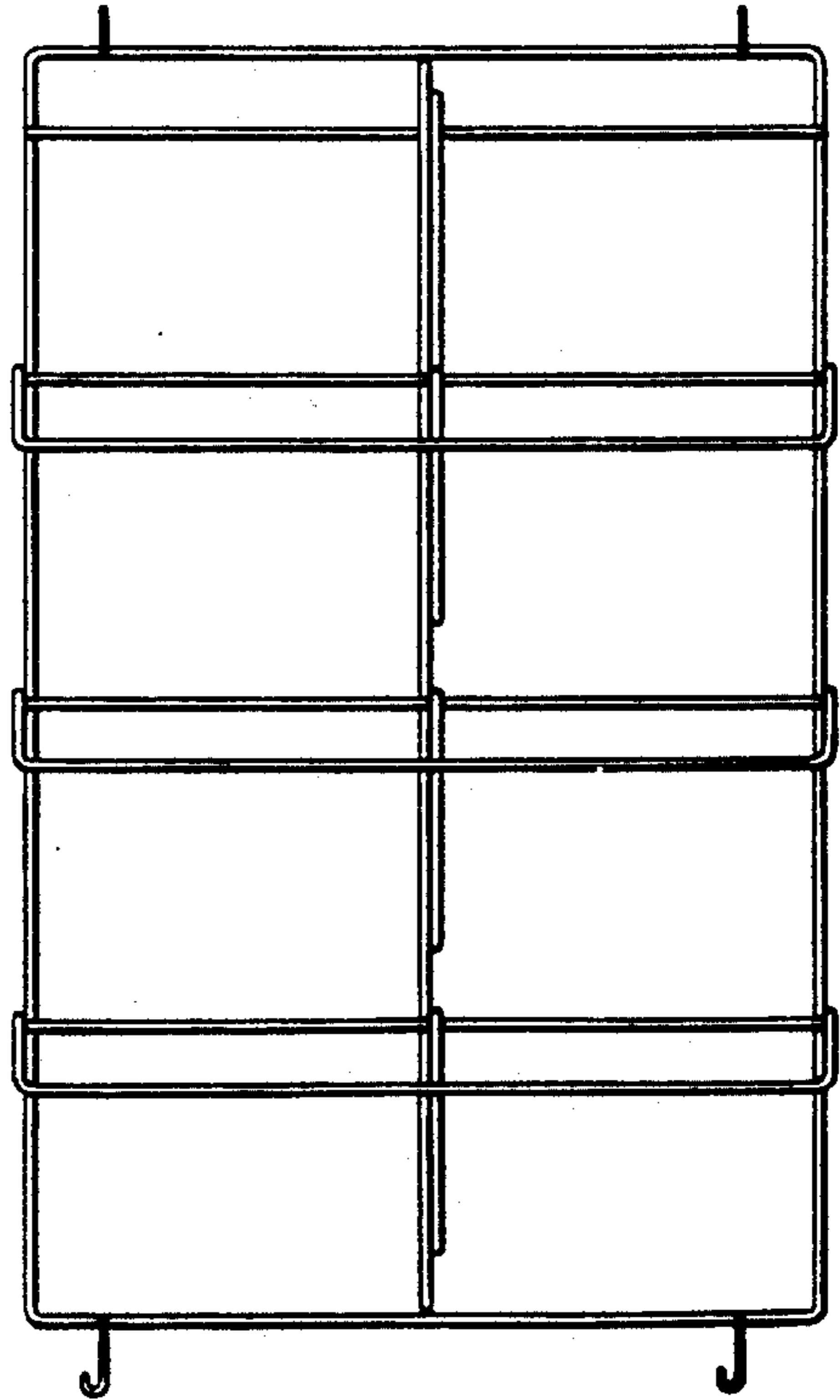


Fig. 2

Fig. 3



**UNITED STATES PATENT AND TRADEMARK OFFICE
CERTIFICATE OF CORRECTION**

PATENT NO. : Des. 318,349

Page 1 of 3

DATED : July 16, 1991

INVENTOR(S) : Thomas O. Nass

It is certified that error appears in the above-identified patent and that said Letters Patent is hereby corrected as shown below:

The title page should be deleted to appear as per attached title page.

The sheet of drawing should be deleted to appear as per attached sheet.

- (a) Invert the drawing of Figure 1 (i.e. turn the drawing 180 degrees)
- (b) Invert the drawing of Figure 2 (i.e. turn the drawing 180 degrees)
- (c) Invert the drawing of Figure 3 (i.e. turn the drawing 180 degrees)

Signed and Sealed this

Twenty-sixth Day of January, 1993

Attest:

DOUGLAS B. COMER

Attesting Officer

Acting Commissioner of Patents and Trademarks

United States Patent [19]

Nass

[11] Patent Number: **Des. 318,349**

[45] Date of Patent: **** Jul. 16, 1991**

[54] **LABORATORY ANIMAL CAGE CRADLE**

2,903,137 9/1959 Brown 211/106
4,387,811 6/1983 Ragir et al. 211/106

[76] Inventor: **Thomas O. Nass, 14502 La Cuarta, Whittier, Calif. 90605**

[**] Term: **14 Years**

[21] Appl. No.: **190,238**

[22] Filed: **May 4, 1988**

[52] U.S. Cl. **D30/119; D6/456; 211/106**

[58] Field of Search **D30/119, 133; 119/20; D6/465, 463, 574, 566, 474; 211/126, 106, 88, 181; 135/67; 248/165**

[56] **References Cited**

U.S. PATENT DOCUMENTS

D. 295,127 4/1988 Chap D6/456
2,746,609 5/1956 Welsh 211/106

OTHER PUBLICATIONS

Publication—"Metro" catalog, sheet 10,12a for Super Erecta Shelf slide inserts, 1983.

Primary Examiner—A. Hugo Word

Assistant Examiner—R. T. Seifert

Attorney, Agent, or Firm—Stetina and Brunda

[57] CLAIM

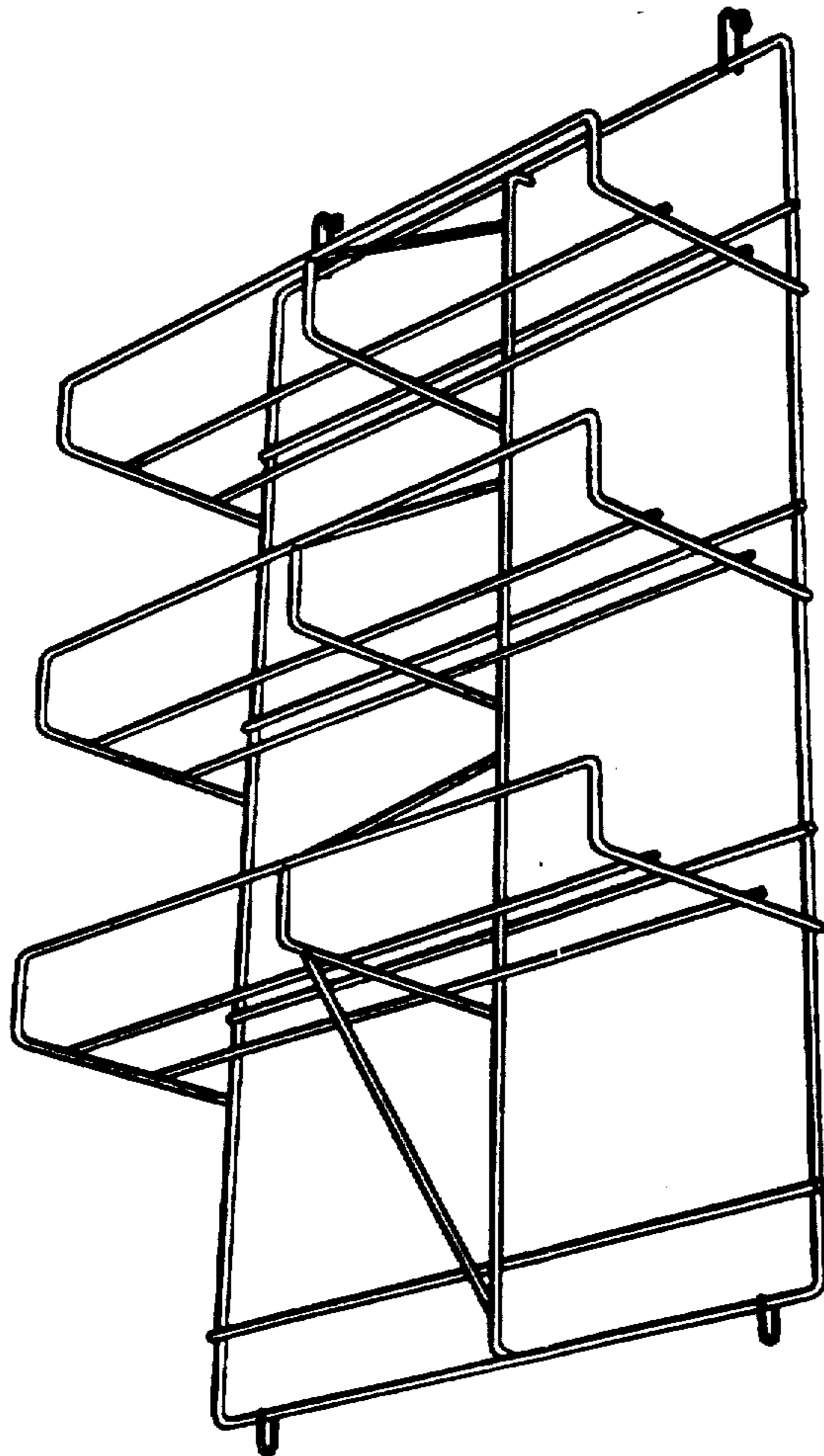
The ornamental design for a laboratory animal cage cradle, as shown and described.

DESCRIPTION

FIG. 1 is a perspective view of a laboratory animal cage cradle showing my new design;

FIG. 2 is a side elevational view thereof; and

FIG. 3 is a front elevational view thereof.



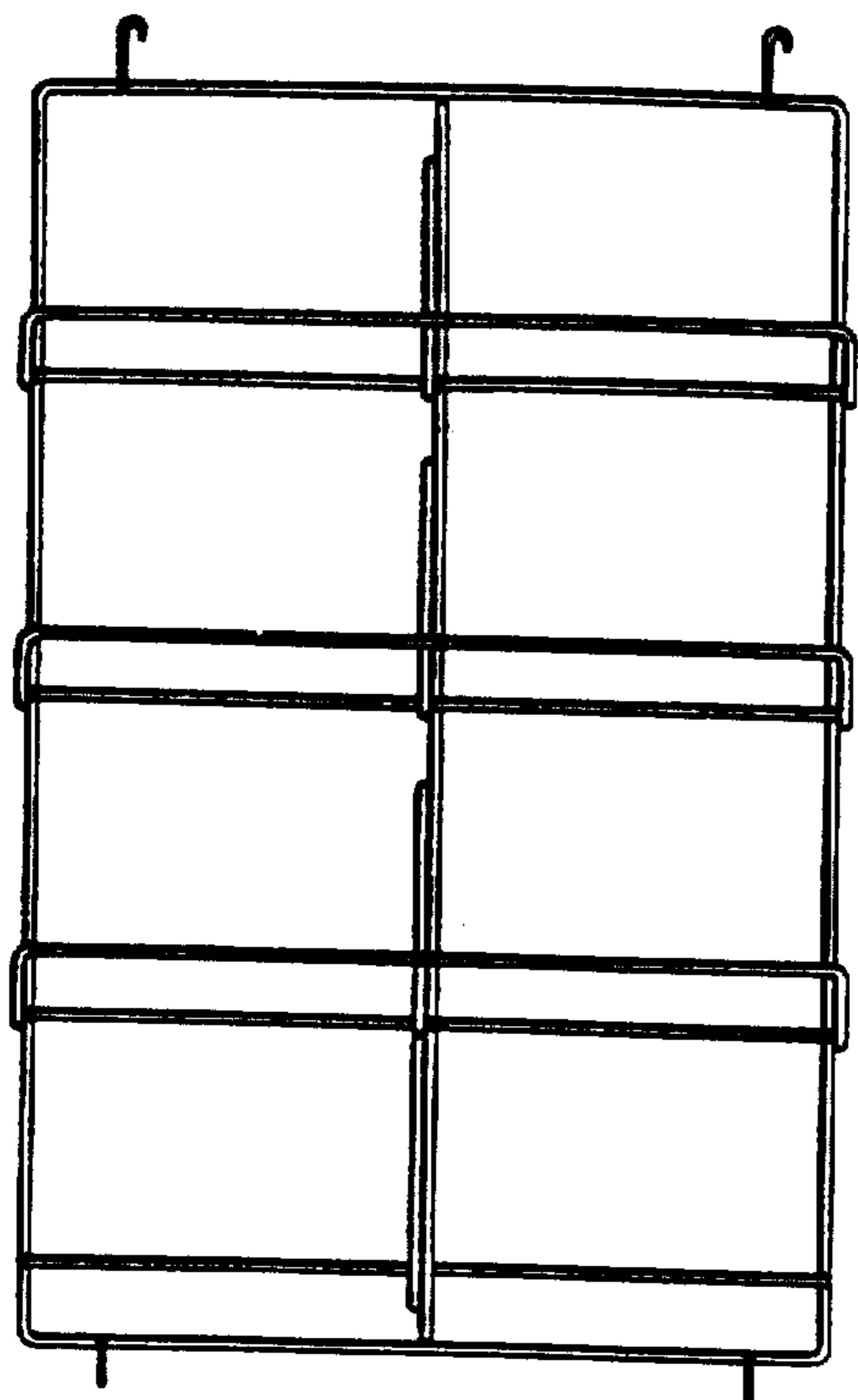


Fig. 3

Fig. 2

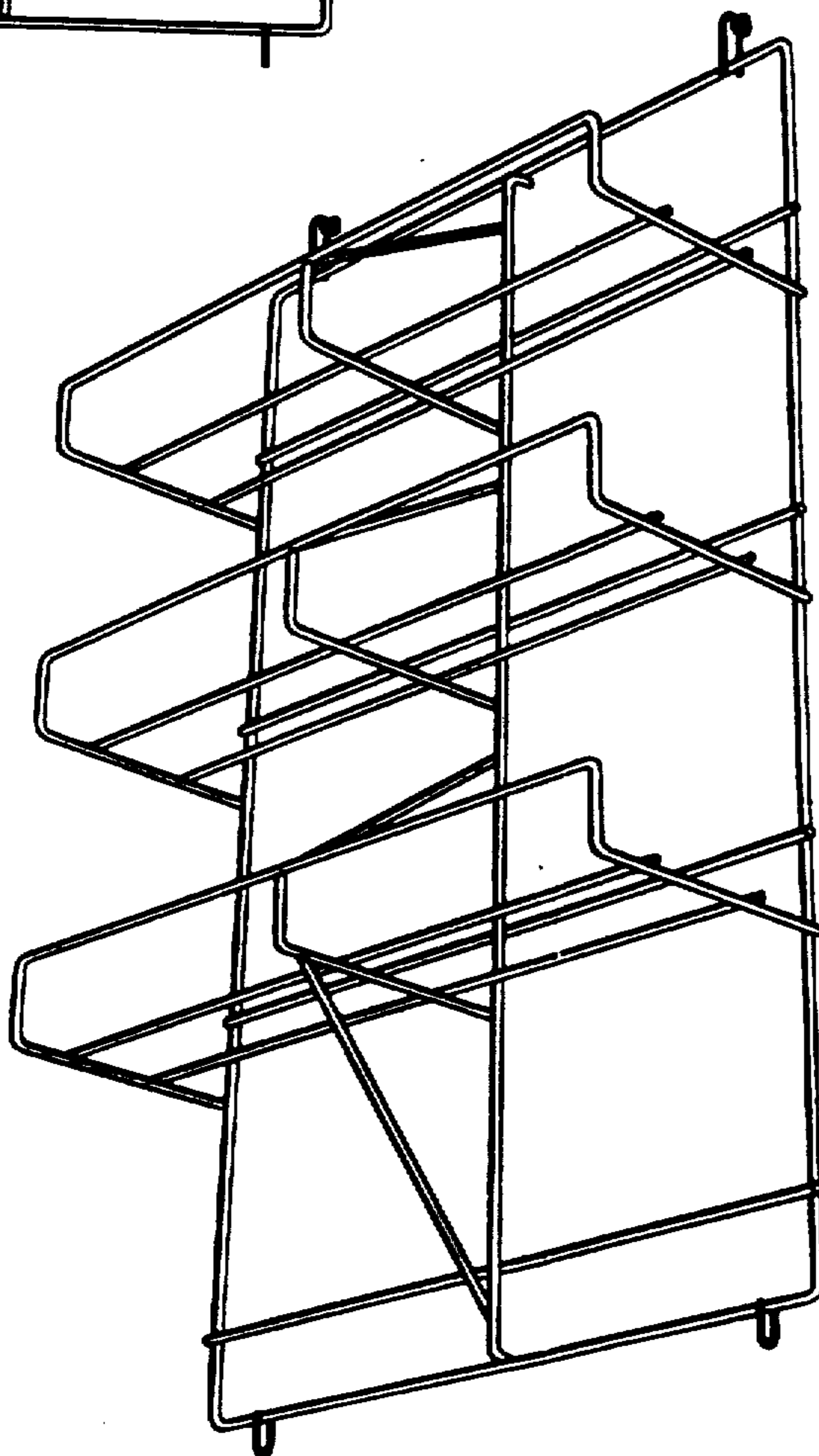
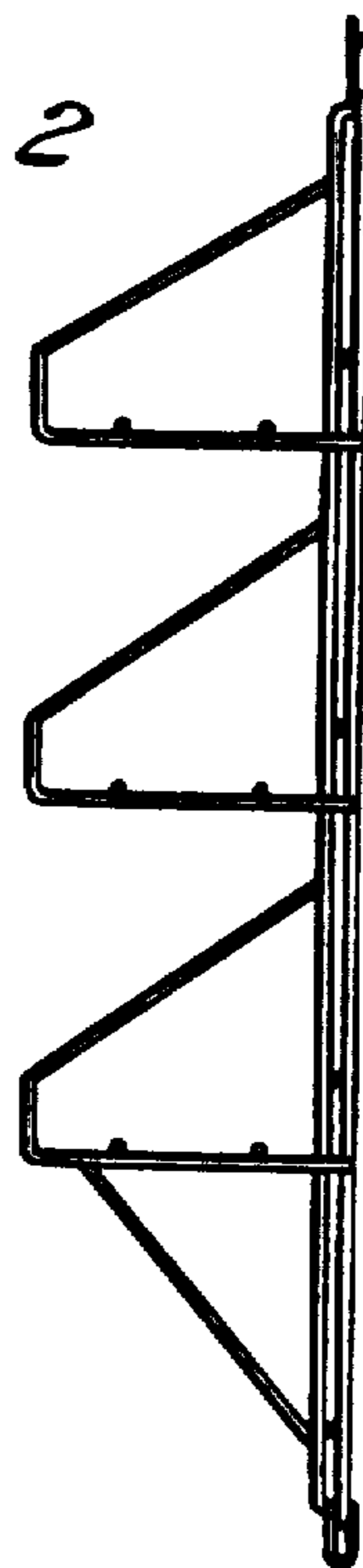


Fig. 1