

[54] **HAIR SPRAY FACE SHIELD**  
 [76] **Inventor: Elisabeth Holmström, N.**  
 Centralgatan 7, 803 11 Gävle,  
 Sweden

[\*\*] **Term: 14 Years**

[21] **Appl. No.: 257,775**

[22] **Filed: Oct. 14, 1988**

[30] **Foreign Application Priority Data**

Apr. 14, 1988 [SE] Sweden ..... 88-0906

[52] **U.S. Cl. .... D28/9**

[58] **Field of Search .... D28/9, 10, 20, 99, 18,**  
 D28/19; 132/212, 285, 319, 333; 2/9-12, 174;  
 D9/305, 306, 433; D7/400; D29/7, 8, 16-18;  
 229/93, 4.5

[56] **References Cited**

**U.S. PATENT DOCUMENTS**

47,822 5/1865 Hoard et al. .... 229/4.5  
 D. 102,673 1/1937 Berk ..... D29/18  
 D. 180,006 4/1957 Barth ..... D28/19X  
 1,158,871 11/1915 Tomlin ..... 229/93

1,548,682 8/1925 Gulin ..... 229/4.5 X  
 3,167,785 2/1965 Uhl ..... 2/174  
 3,206,760 9/1965 Santala ..... 2/9  
 3,488,772 1/1970 Sturm ..... 132/333 X

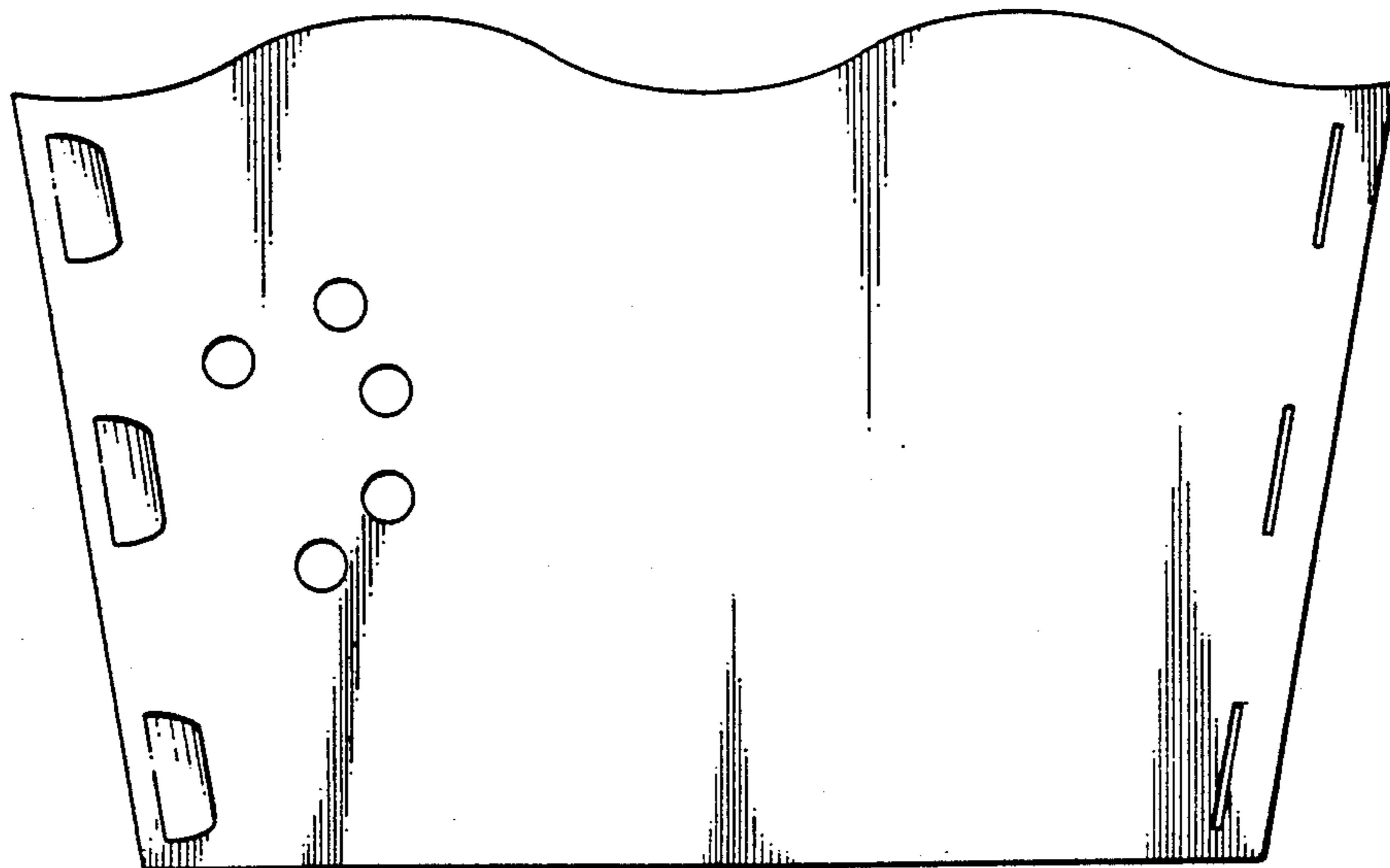
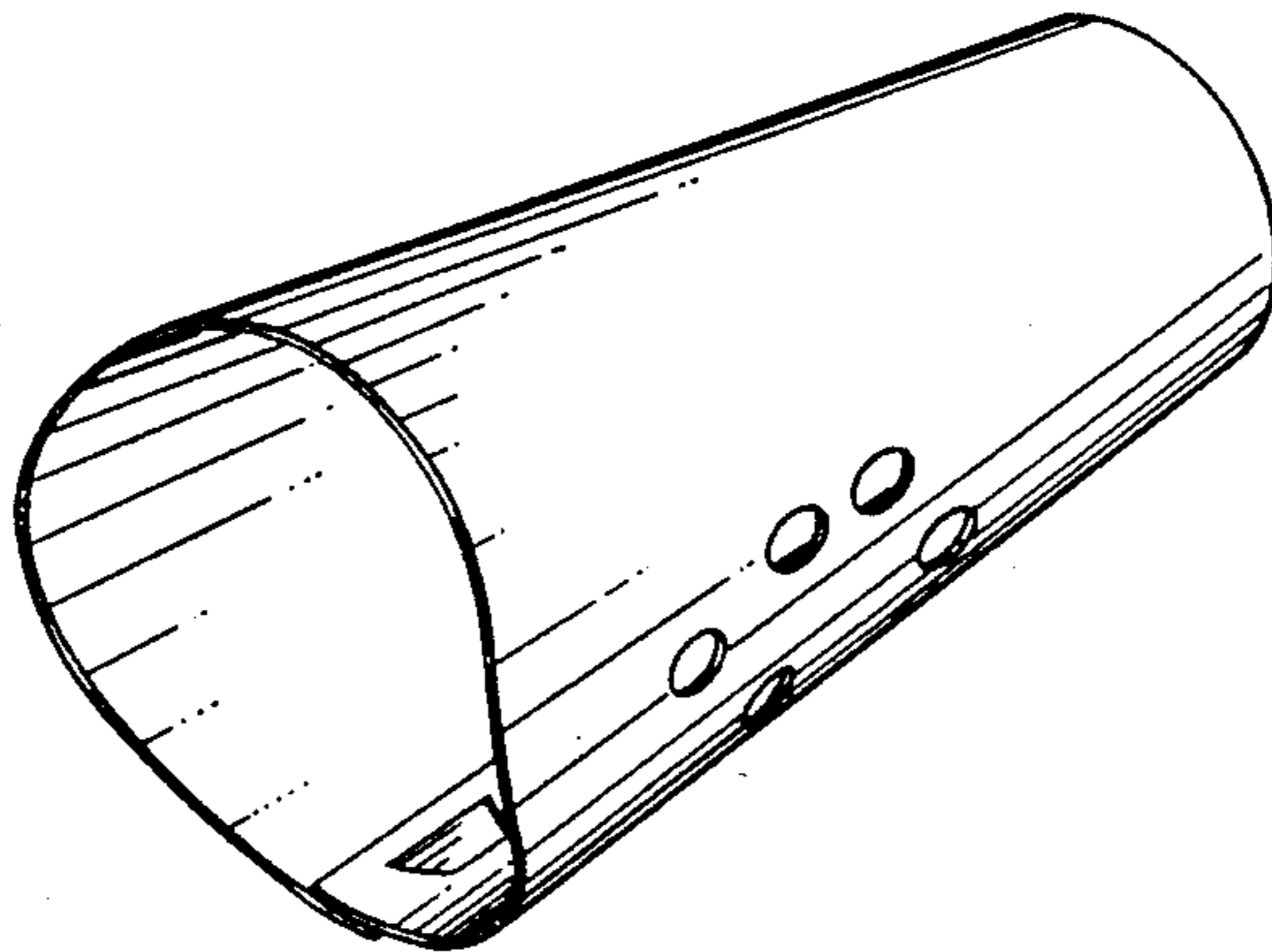
*Primary Examiner*—Bernard Ansher  
*Assistant Examiner*—C. Tuttle  
*Attorney, Agent, or Firm*—Charles A. Brown

[57] **CLAIM**

The ornamental design for a hair spray face shield, as shown.

**DESCRIPTION**

FIG. 1 is a front perspective view of a hair spray face shield in an unassembled condition, showing my new design;  
 FIG. 2 is a rear perspective view thereof;  
 FIG. 3 is a top front perspective view, shown in the assembled condition;  
 FIG. 4 is a bottom, rear perspective view thereof;  
 FIG. 5 is a plan view, shown in the unassembled condition;  
 FIG. 6 is a front end elevational view, in the assembled condition; and  
 FIG. 7 is a rear end elevational view thereof.



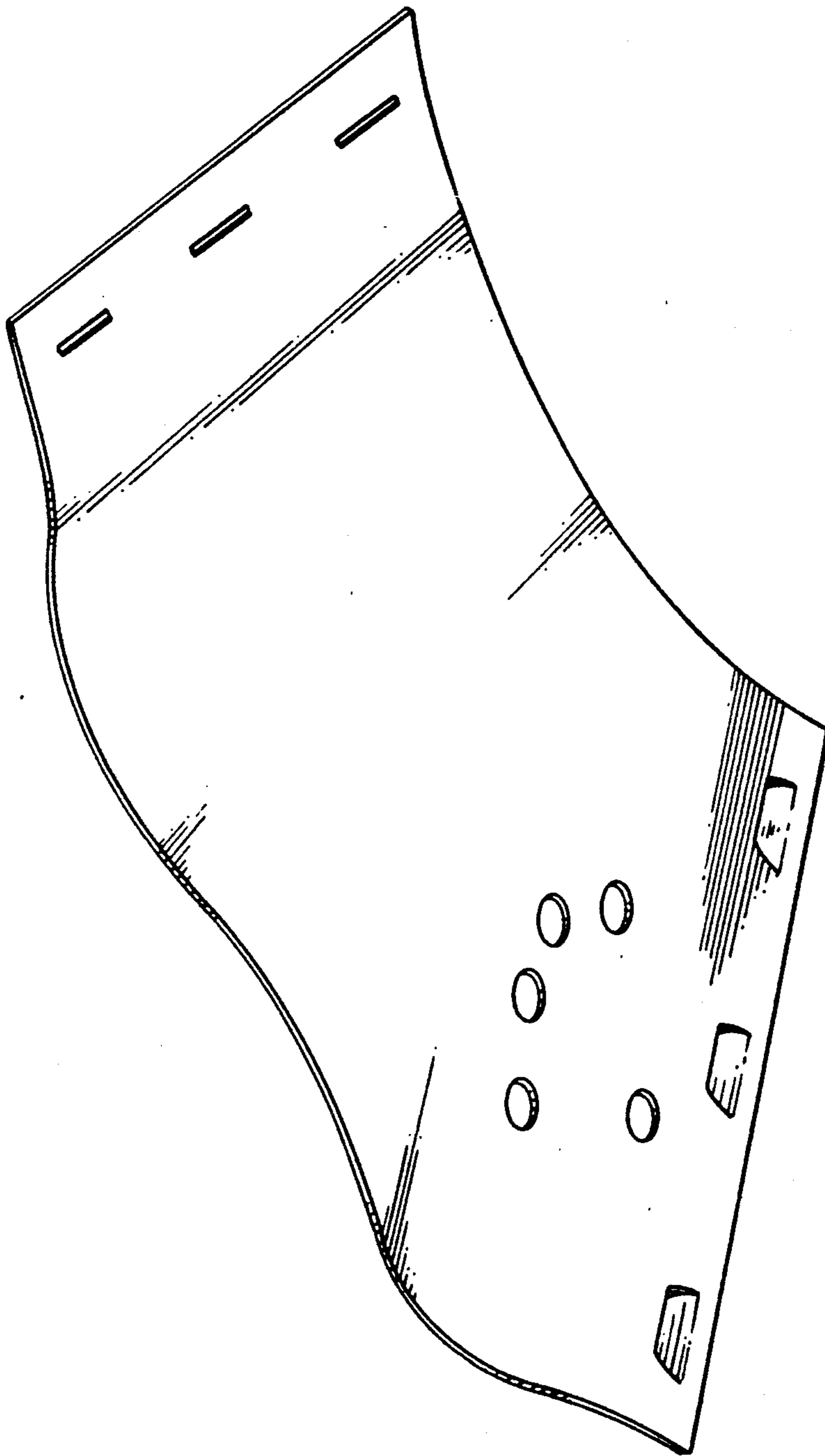


Fig. 1

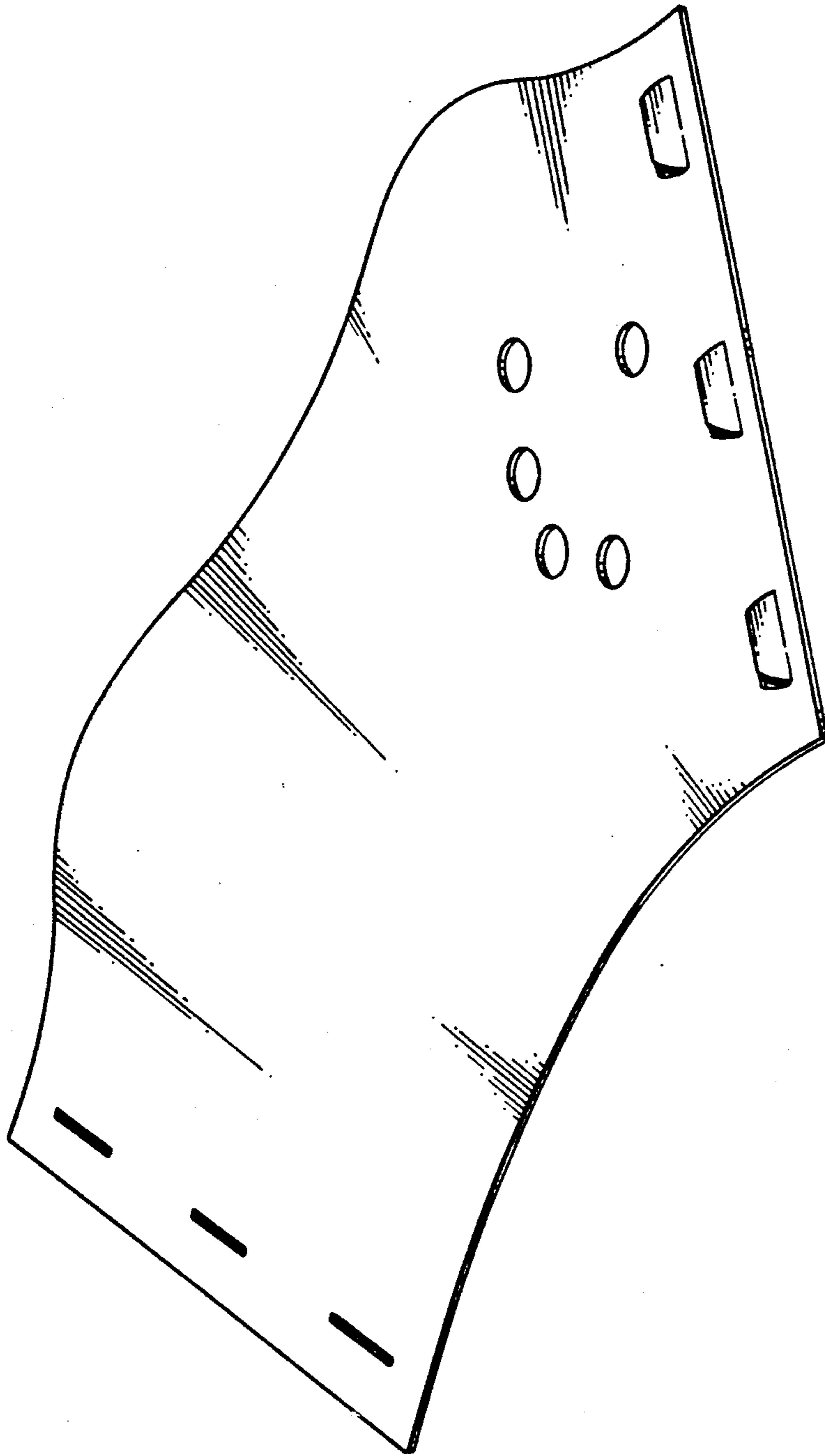


Fig. 2

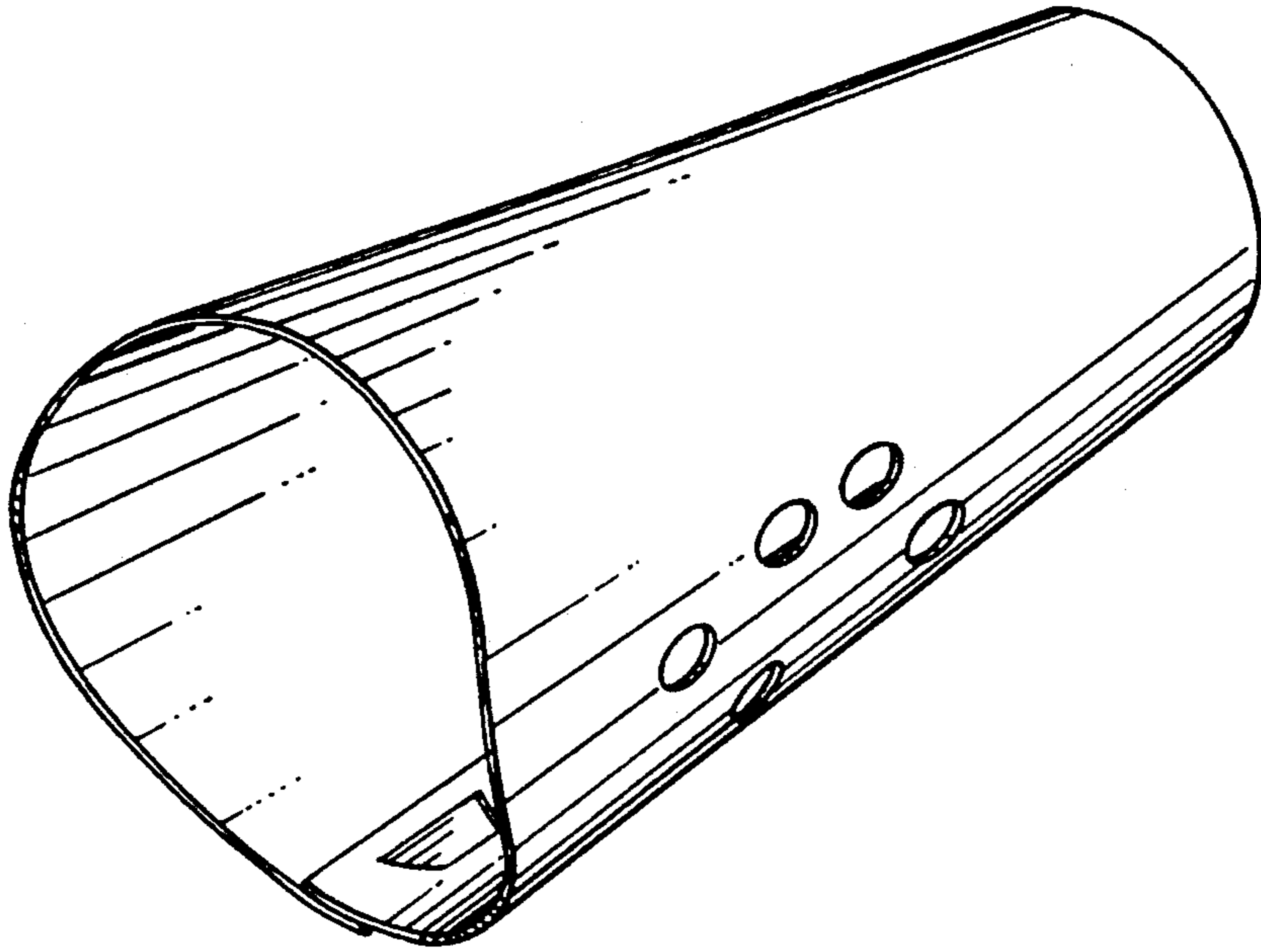


Fig. 3

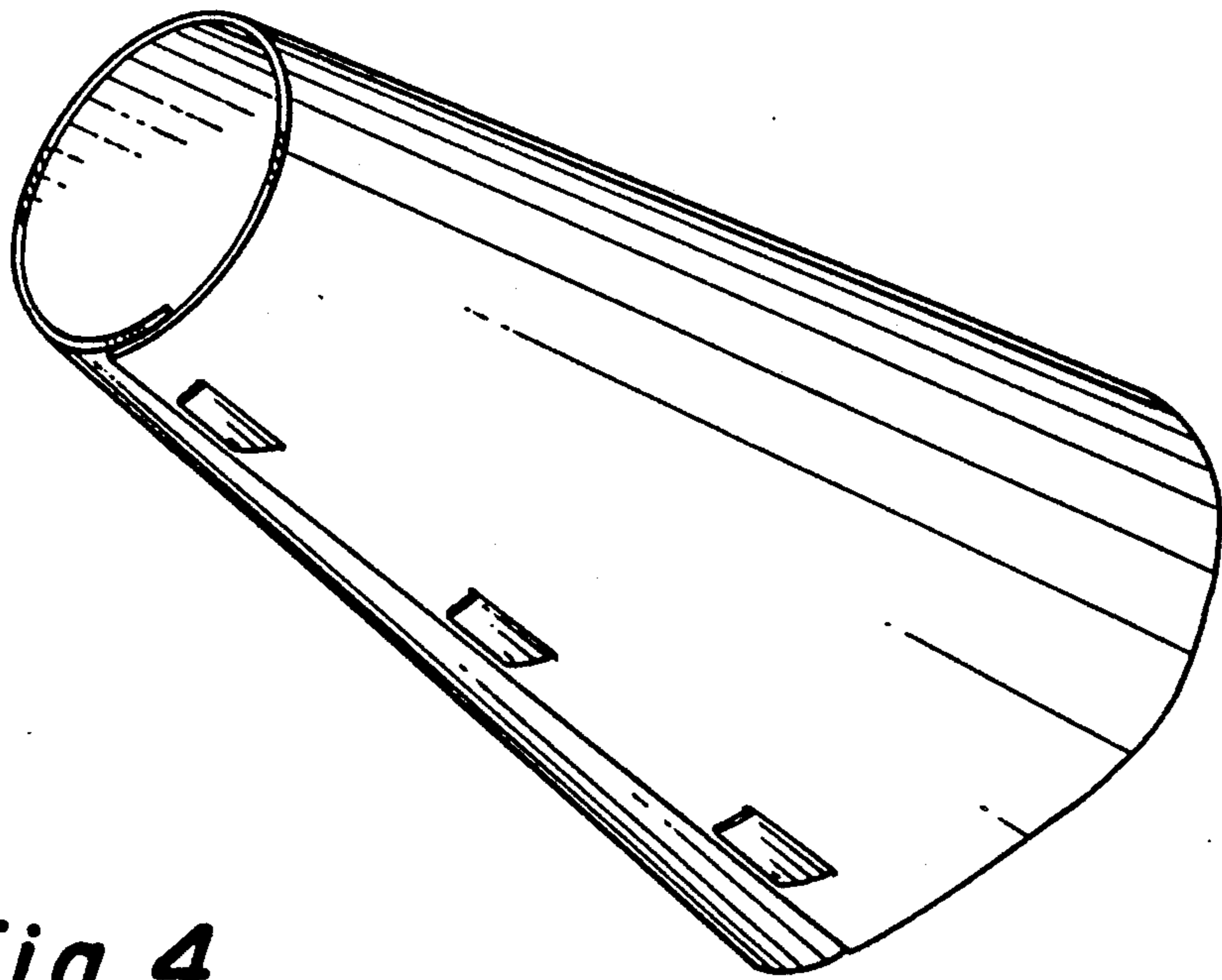


Fig. 4

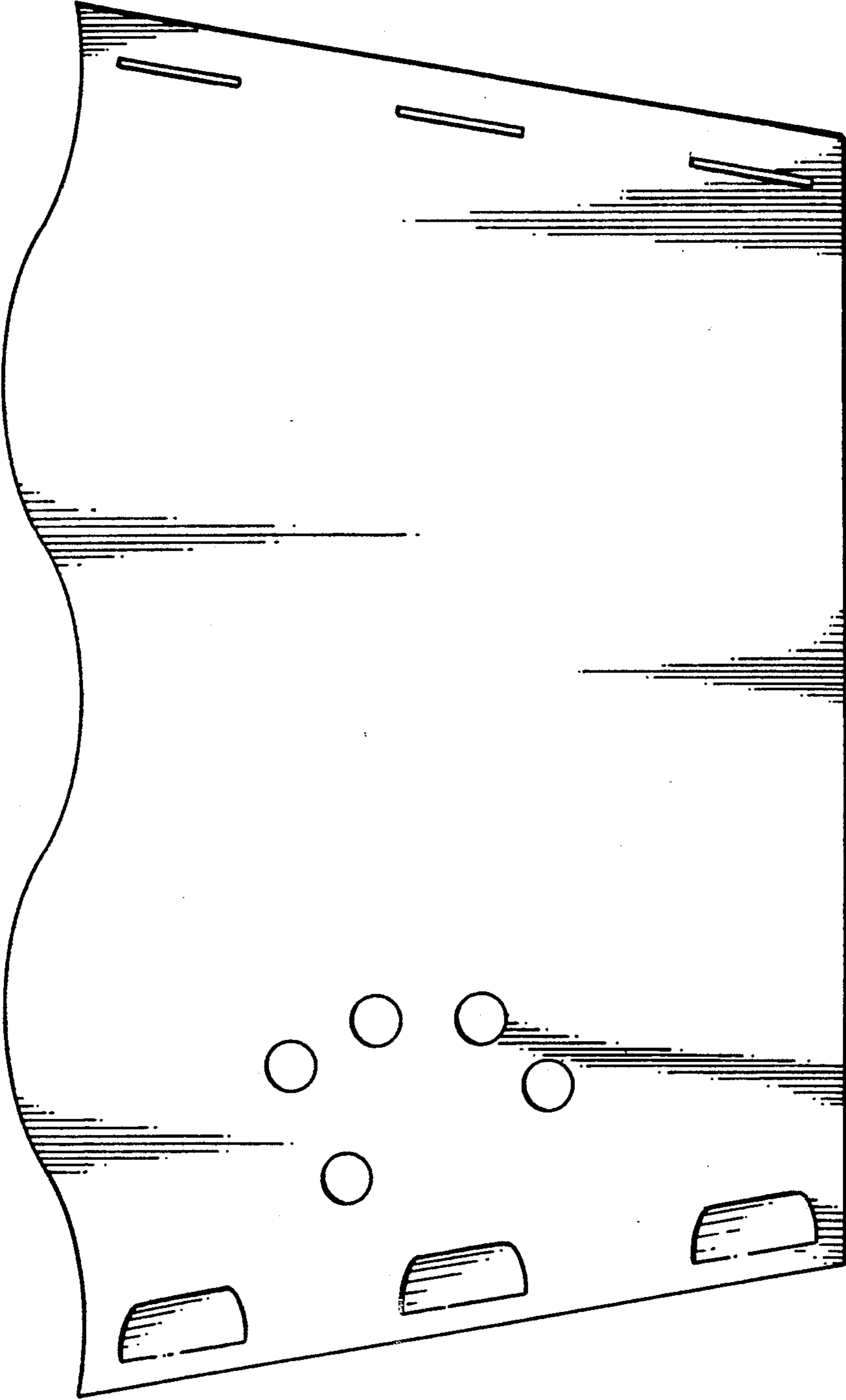
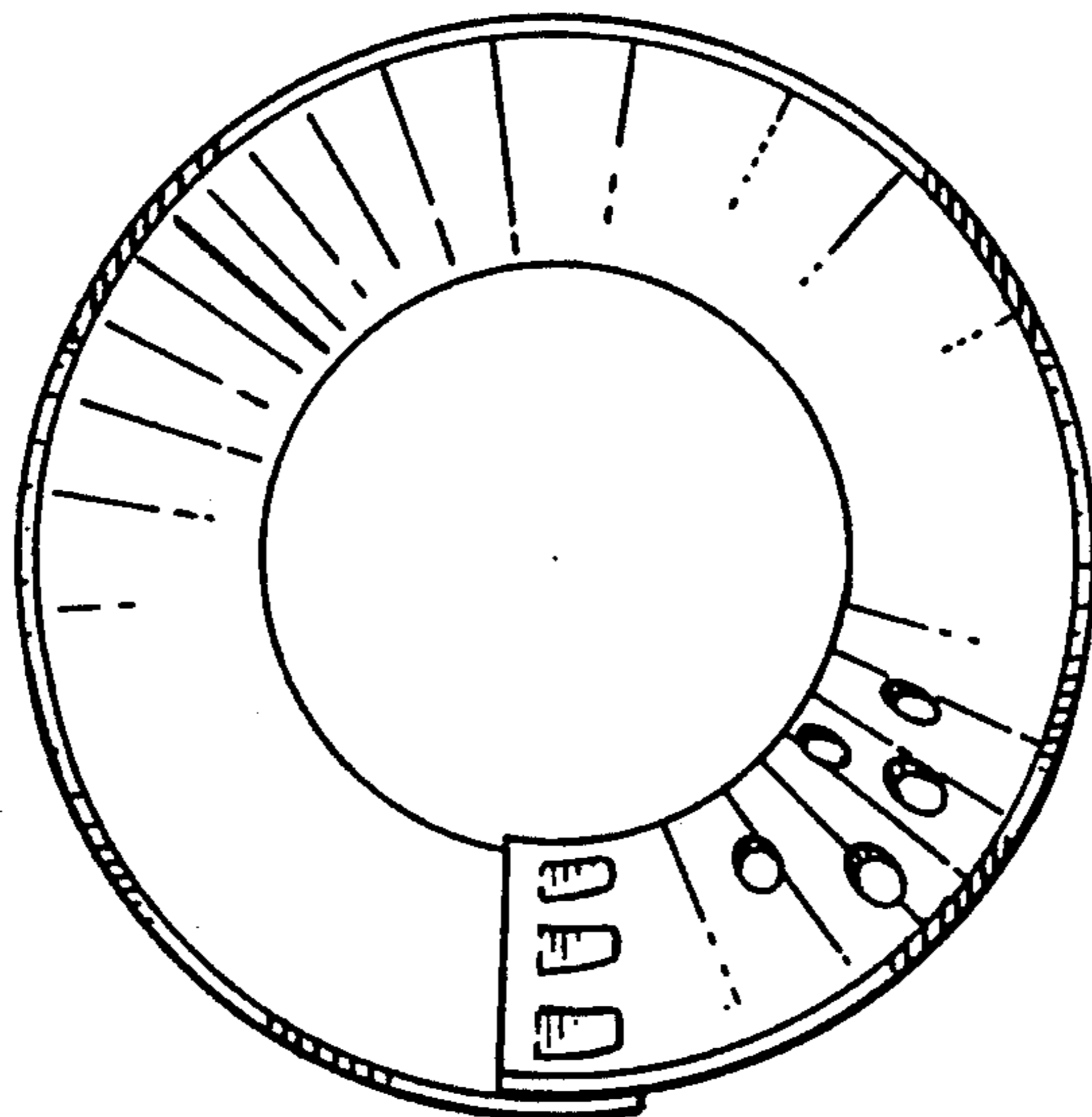
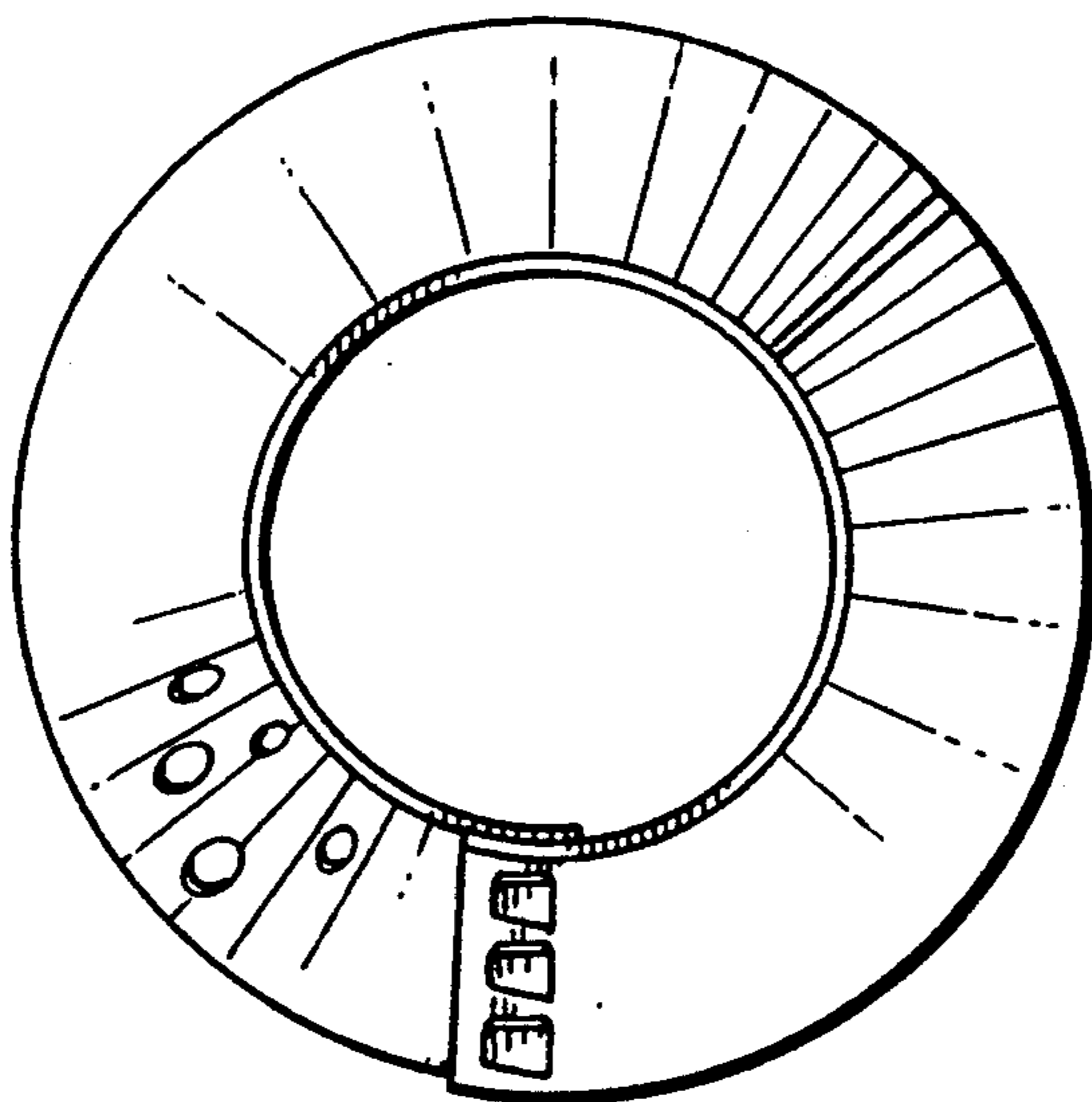


Fig. 5



*Fig. 6*



*Fig. 7*