

[54] LAMP BASE

[75] Inventors: Leslie A. Meck, Blandon; Peter Pettersson, Bernville, both of Pa.

[73] Assignee: Baldwin Hardware Corporation, Reading, Pa.

[\*\*] Term: 14 Years

[21] Appl. No.: 387,308

[22] Filed: Jul. 31, 1989

[52] U.S. Cl. .... D26/171; D26/110; D26/142

[58] Field of Search ..... D26/93, 102-112, D26/149, 151; 362/410-414

[56] References Cited

U.S. PATENT DOCUMENTS

D. 289,443 4/1987 Manton ..... D26/110

OTHER PUBLICATIONS

Rembrandt Lamps Catalog, p. 70, "Montecello", table lamp (LMS 3775).

Primary Examiner—Susan J. Lucas  
Attorney, Agent, or Firm—Myron B. Kapustij; Edgar A. Zarins; Malcolm L. Sutherland

[57] CLAIM

The ornamental design for a lamp base, as shown and described.

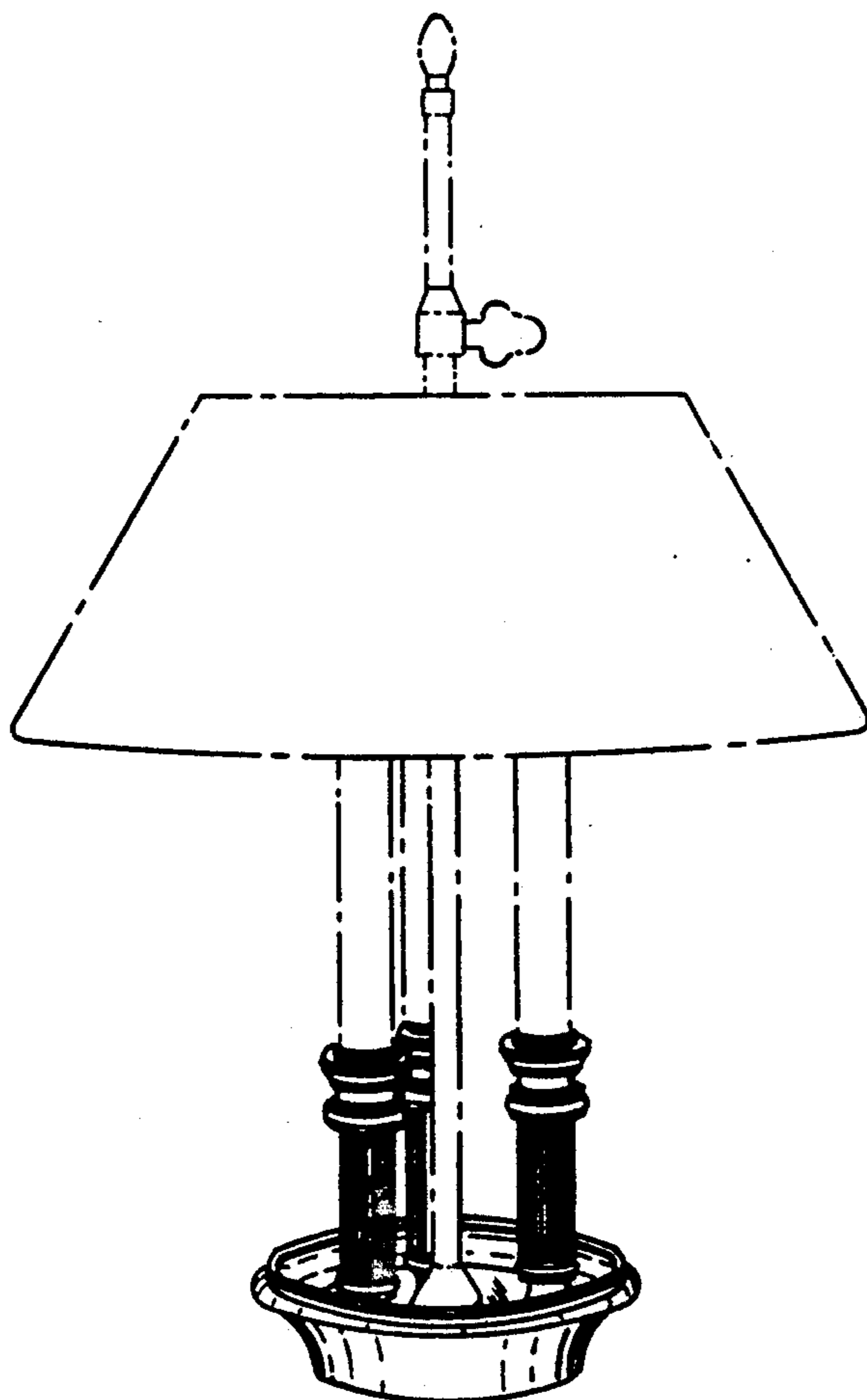
DESCRIPTION

FIG. 1 is a perspective view of a lamp base showing our new design;

FIG. 2 is a top plan view thereof on an enlarged scale; FIG. 3 is a side elevational view thereof on an enlarged scale, the opposite side being identical;

FIG. 4 is a fragmentary partially segmented view taken along lines IV—IV in FIG. 2.

Portions of a lamp are shown in broken lines in FIGS. 1 and 2 for illustrative purposes only.



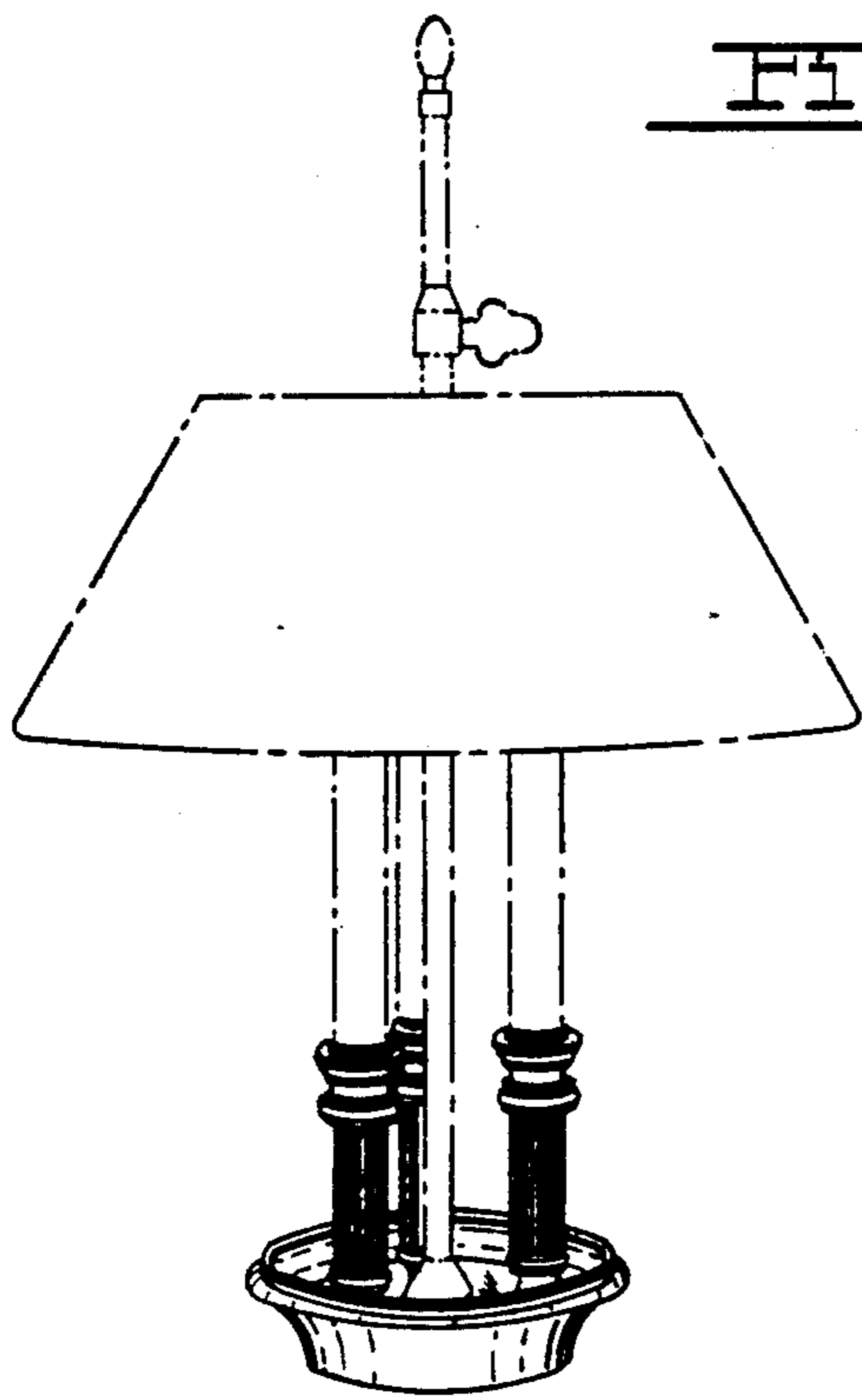


FIG. 1.

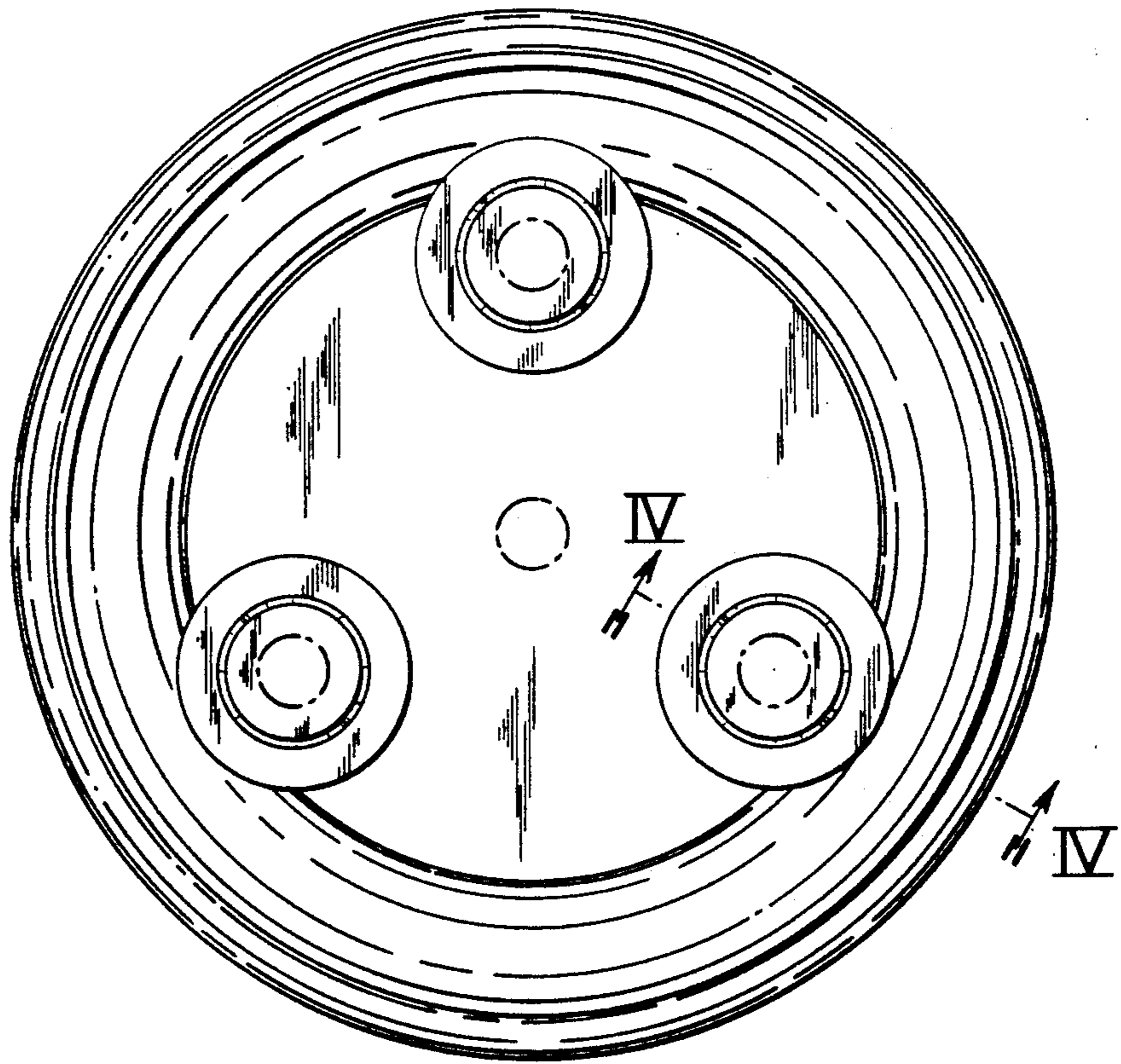


FIG. 2.

