

United States Patent [19]

Hazerjian et al.

[11] Patent Number: **Des. 318,341**

[45] Date of Patent: **** Jul. 16, 1991**

[54] EXTERIOR LIGHTING FIXTURE

[75] Inventors: **Kevork P. Hazerjian**, West Roxbury, Mass.; **Amos Levitt**, South Orange, N.J.

[73] Assignee: **Sturdy Lantern Mfg. Co., Inc.**, North Attleboro, Mass.

[**] Term: **14 Years**

[21] Appl. No.: **400,969**

[22] Filed: **Aug. 31, 1989**

[52] U.S. Cl. **D26/67; D26/24**

[58] Field of Search **D26/67-71, D26/90, 99, 92, 63, 24, 72, 85, 87; 362/431, 432; 153/147; 186/362, 363; 183/267**

[56] References Cited

U.S. PATENT DOCUMENTS

D. 76,613	10/1928	Gruber	D26/87
3,263,069	7/1966	Krucki et al.	D26/63 X
3,416,124	12/1968	Irvine	D26/63 X
4,428,034	1/1984	Seller	362/186

4,774,648 9/1988 Kakuk et al. 362/431 X

OTHER PUBLICATIONS

Illuminating Engineering, 1-1964, p. 17, *Yard Light*, #49b.

Light & Lighting, 11-954, p. 333, Siemens, "Bracknell", *Lantern*.

National Petroleum News, 4-1969, p. 147, *MV-ML Round Hood Lighting Fixture*.

Primary Examiner—Susan J. Lucas

Attorney, Agent, or Firm—Salter & Michaelson

[57] CLAIM

The ornamental design for a exterior lighting fixture, as shown and described.

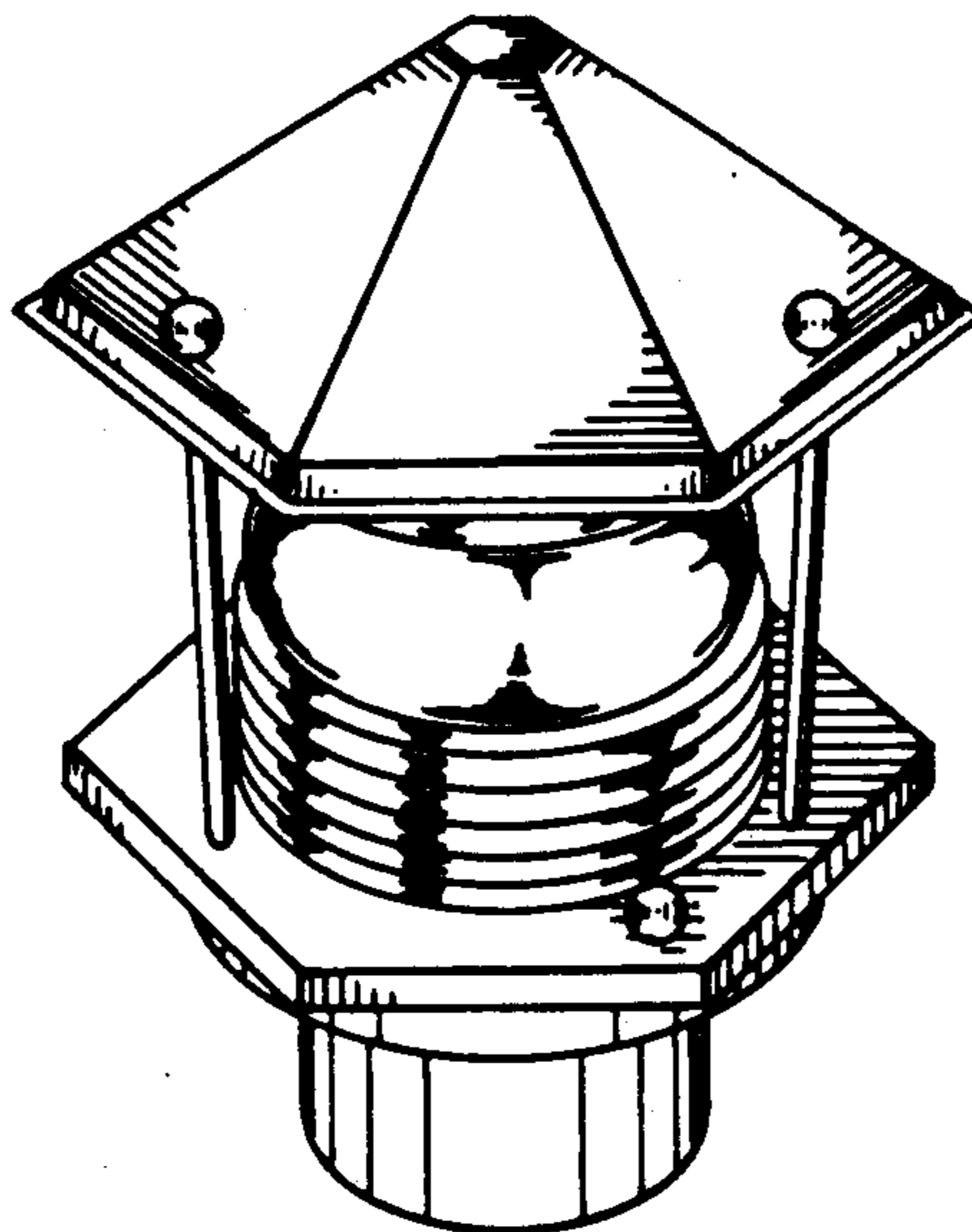
DESCRIPTION

FIG. 1 is a top perspective view of an exterior lighting fixture showing our new design;

FIG. 2 is a side elevational view thereof, the opposite side being identical;

FIG. 3 is a top plan view thereof; and

FIG. 4 is a bottom plan view thereof.



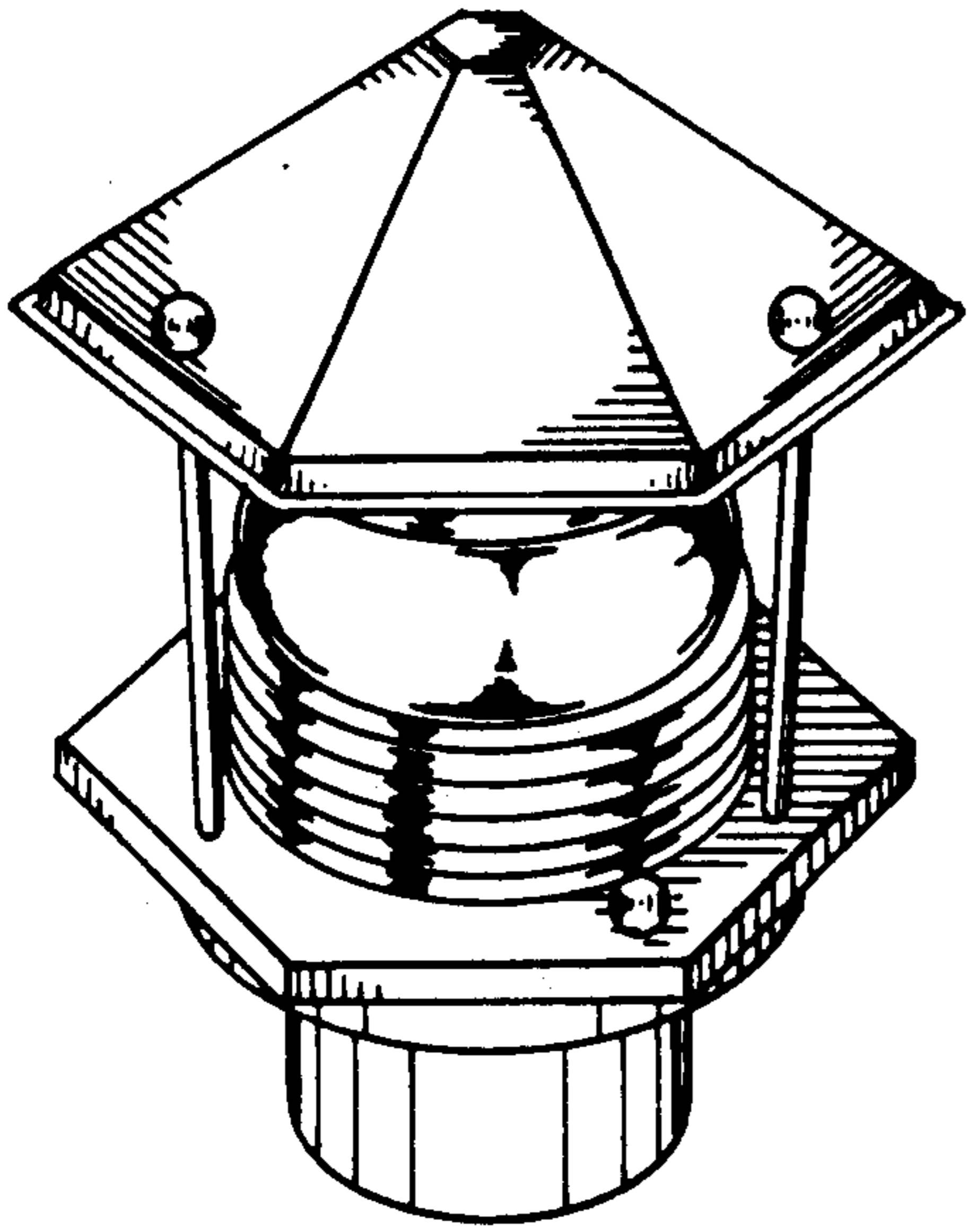


FIG. 1

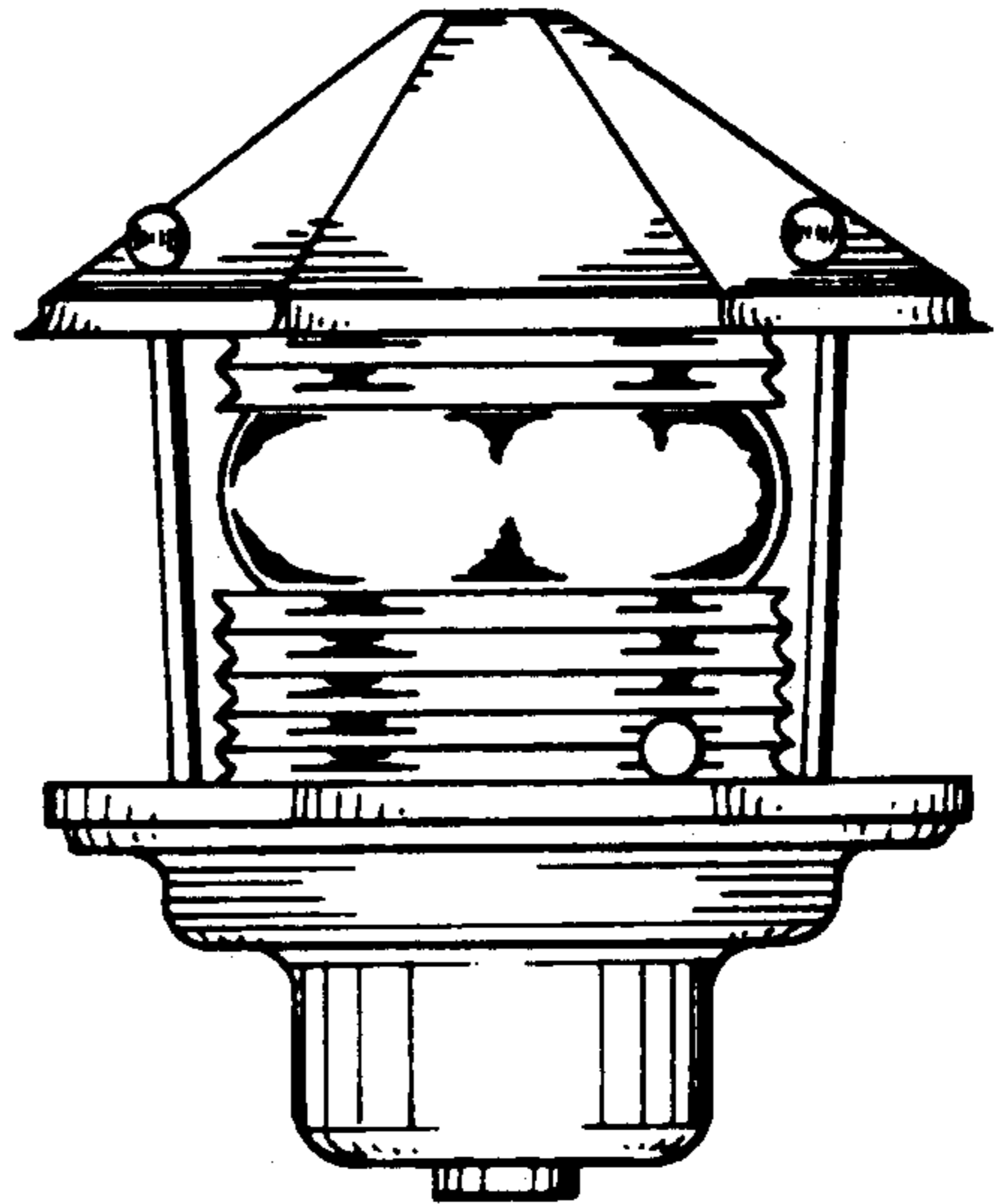


FIG. 2

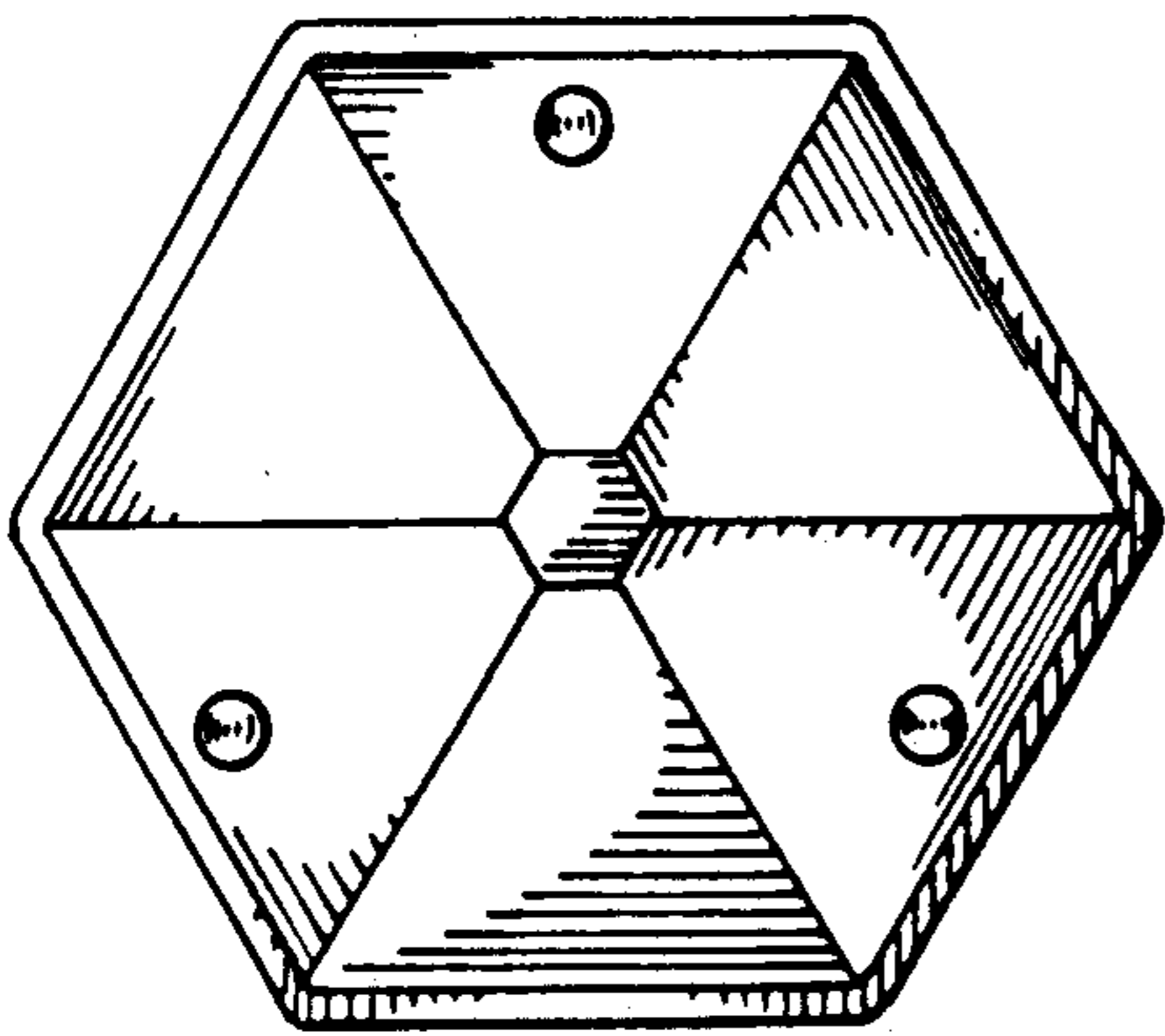


FIG. 3

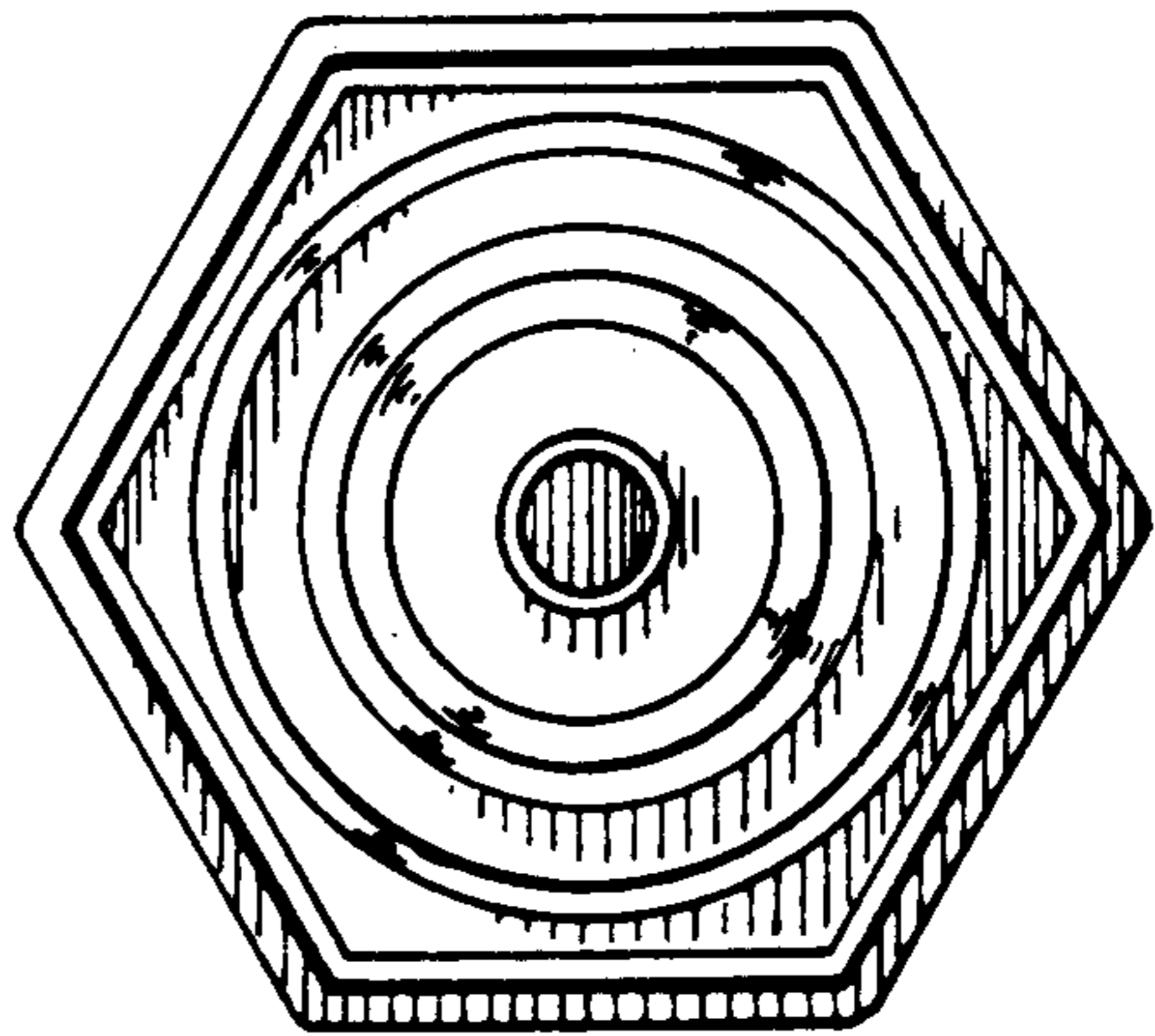


FIG. 4