

[54] ADJUSTABLE LAMP

[76] Inventor: Soddy Huang, 2F, No. 31, Lane 57, Tung Shun St., Shulin Taipei Hsien, Taiwan

[\*\*] Term: 14 Years

[21] Appl. No.: 177,642

[22] Filed: Apr. 7, 1988

[52] U.S. Cl. .... D26/65

[58] Field of Search ..... D26/60-66; 362/410-414, 269, 418, 419, 427, 428, 429, 401, 402

[56] References Cited

U.S. PATENT DOCUMENTS

D. 215,336	9/1969	Portman et al. ....	D26/65
D. 284,108	6/1986	Bonetto .....	D26/65
2,548,476	4/1951	Horstman .....	D26/64 X
3,790,773	2/1974	Sapper .....	362/401

OTHER PUBLICATIONS

Kenneth, Inc. Lighting Catalog, p. 15, Table Lamp.

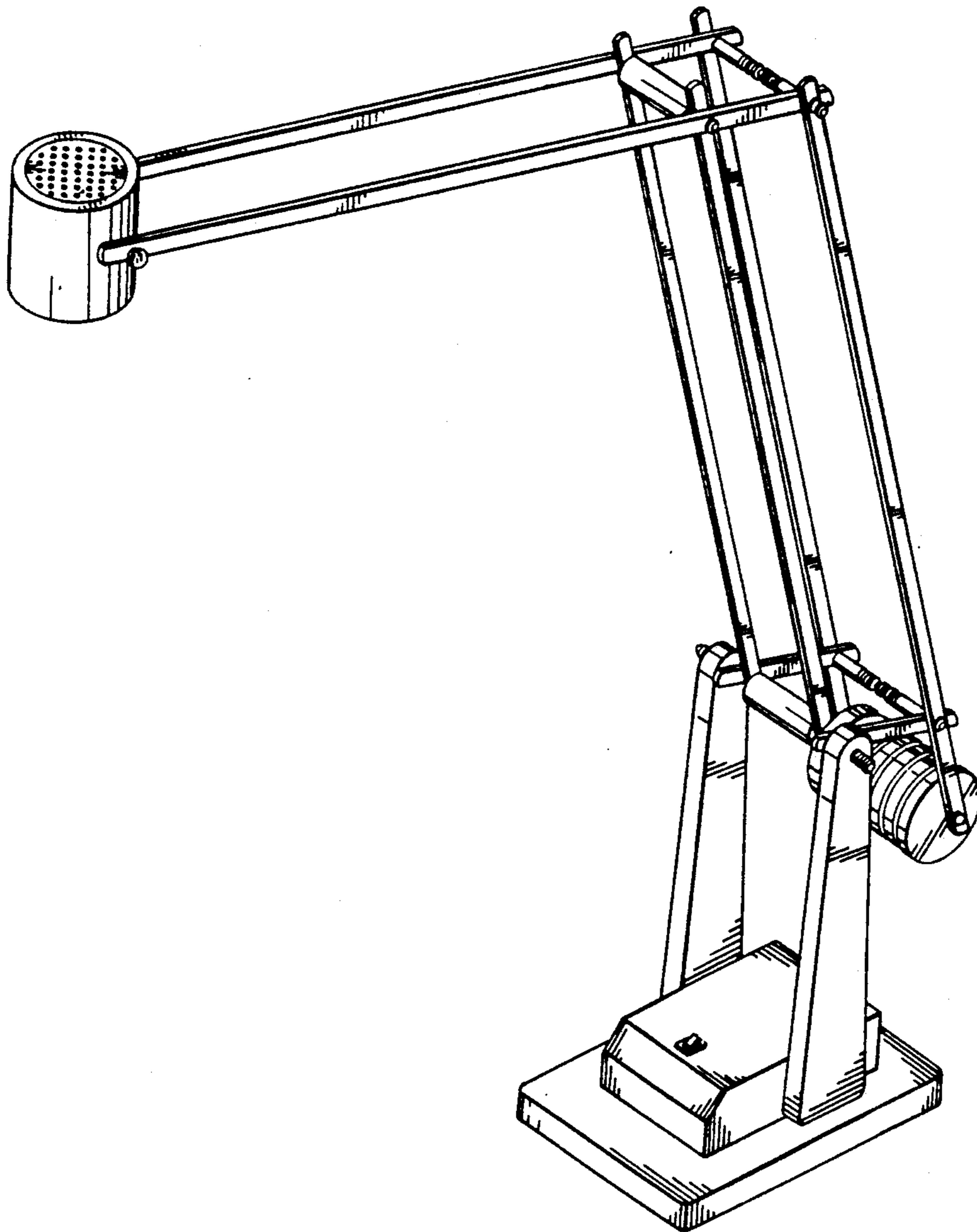
Primary Examiner—Susan J. Lucas  
Attorney, Agent, or Firm—Lowe, Price, LeBlanc, Becker & Shur

[57] CLAIM

The ornamental design for an adjustable lamp, as shown and described.

DESCRIPTION

FIG. 1 is a top, front, right-side perspective view of an adjustable lamp showing my new design; FIG. 2 is a front elevational view thereof; FIG. 3 is a rear elevational view thereof; FIG. 4 is a top plan view thereof; FIG. 5 is a bottom plan view thereof; FIG. 6 is a left elevational view thereof; FIG. 7 is a right side elevational view thereof.



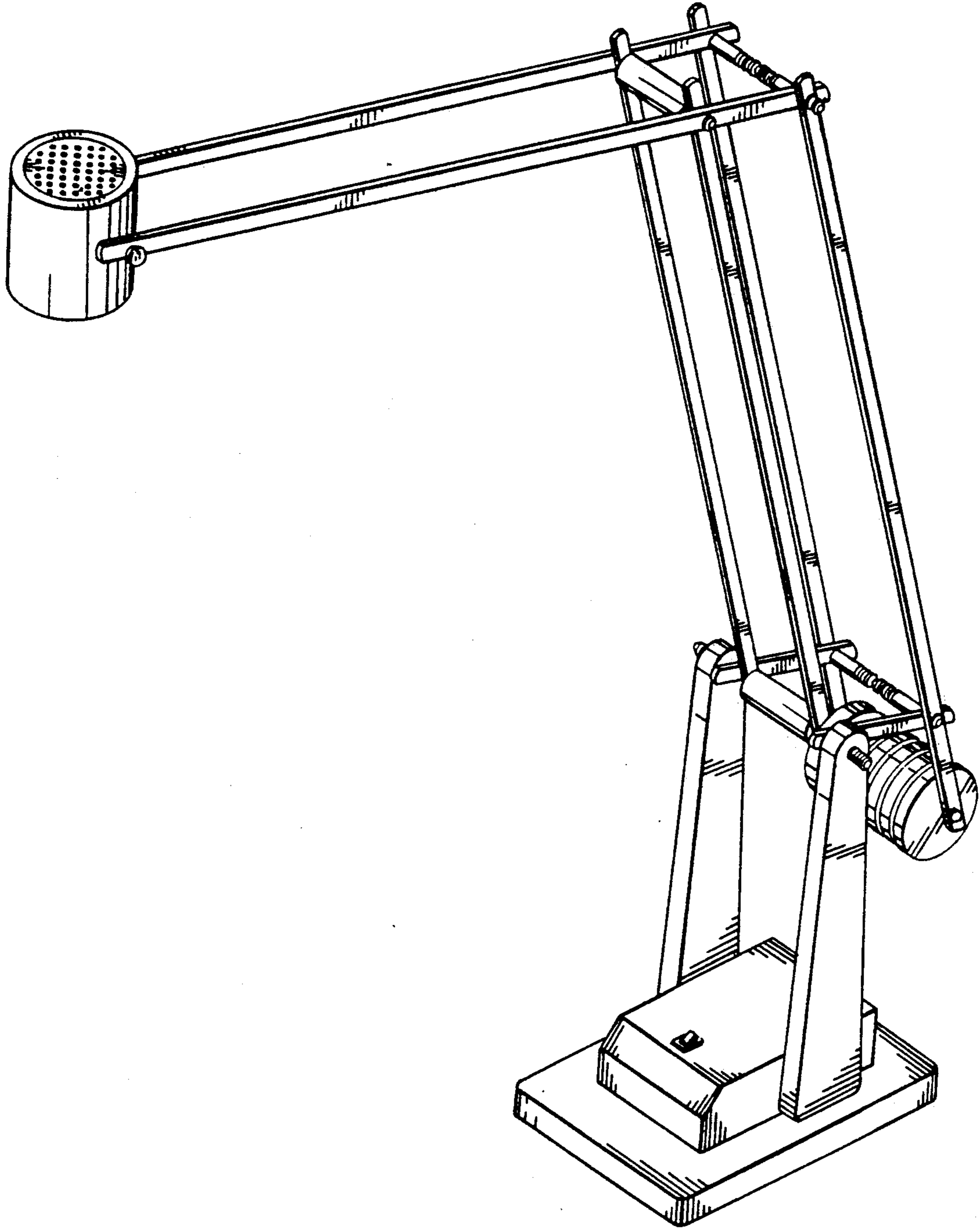


Fig. 1

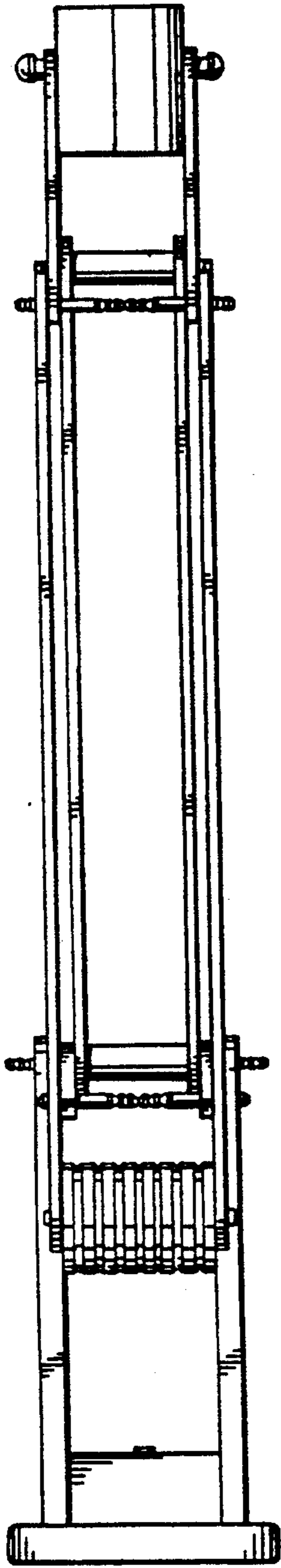


Fig. 3

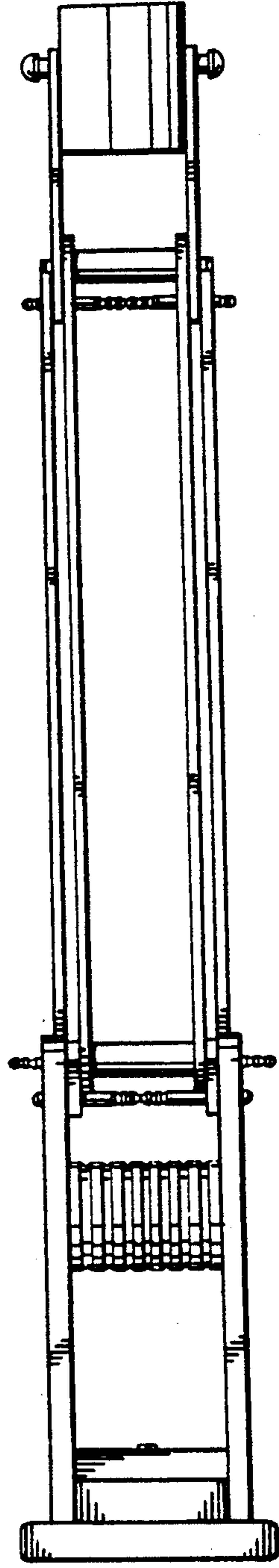


Fig. 2

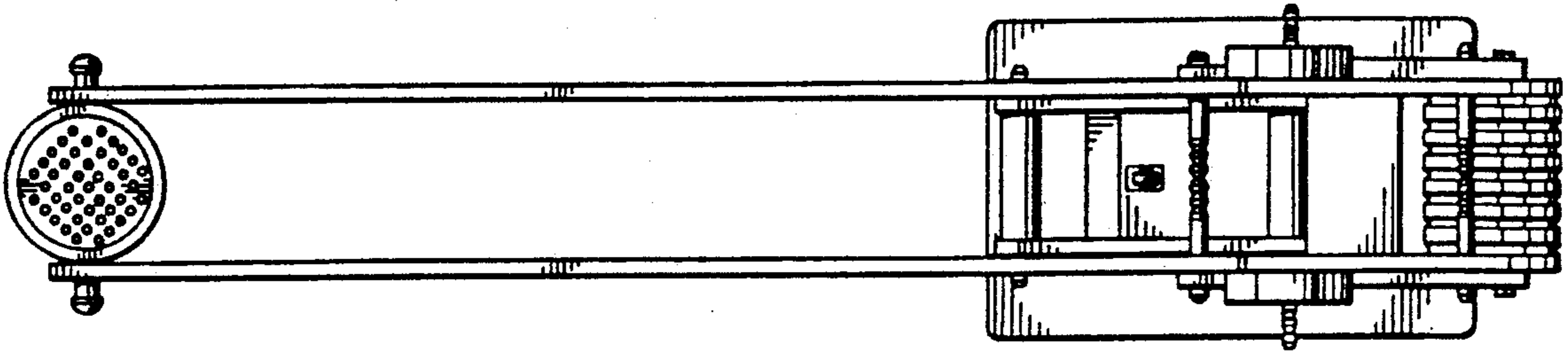


Fig. 4

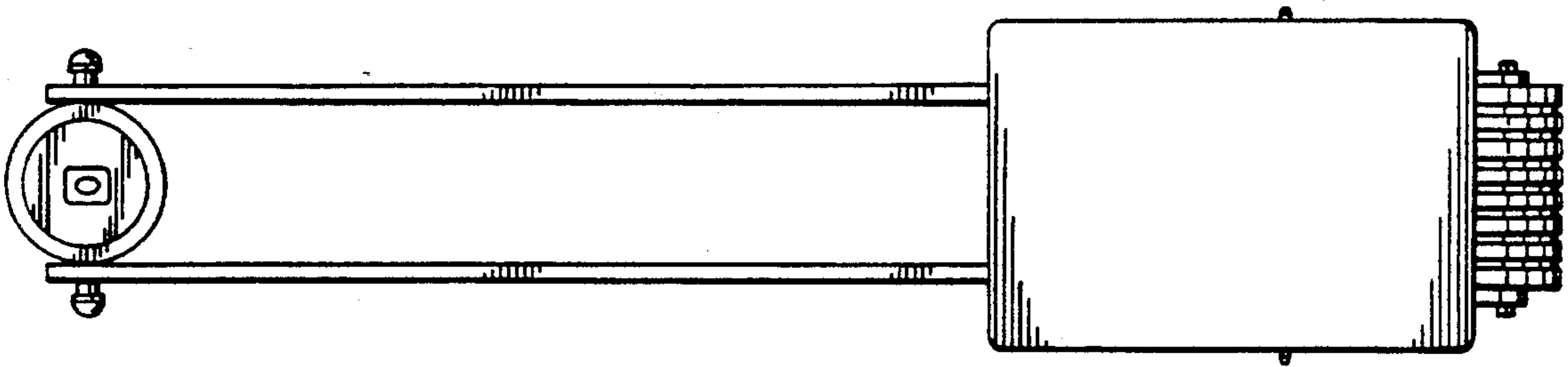


Fig. 5

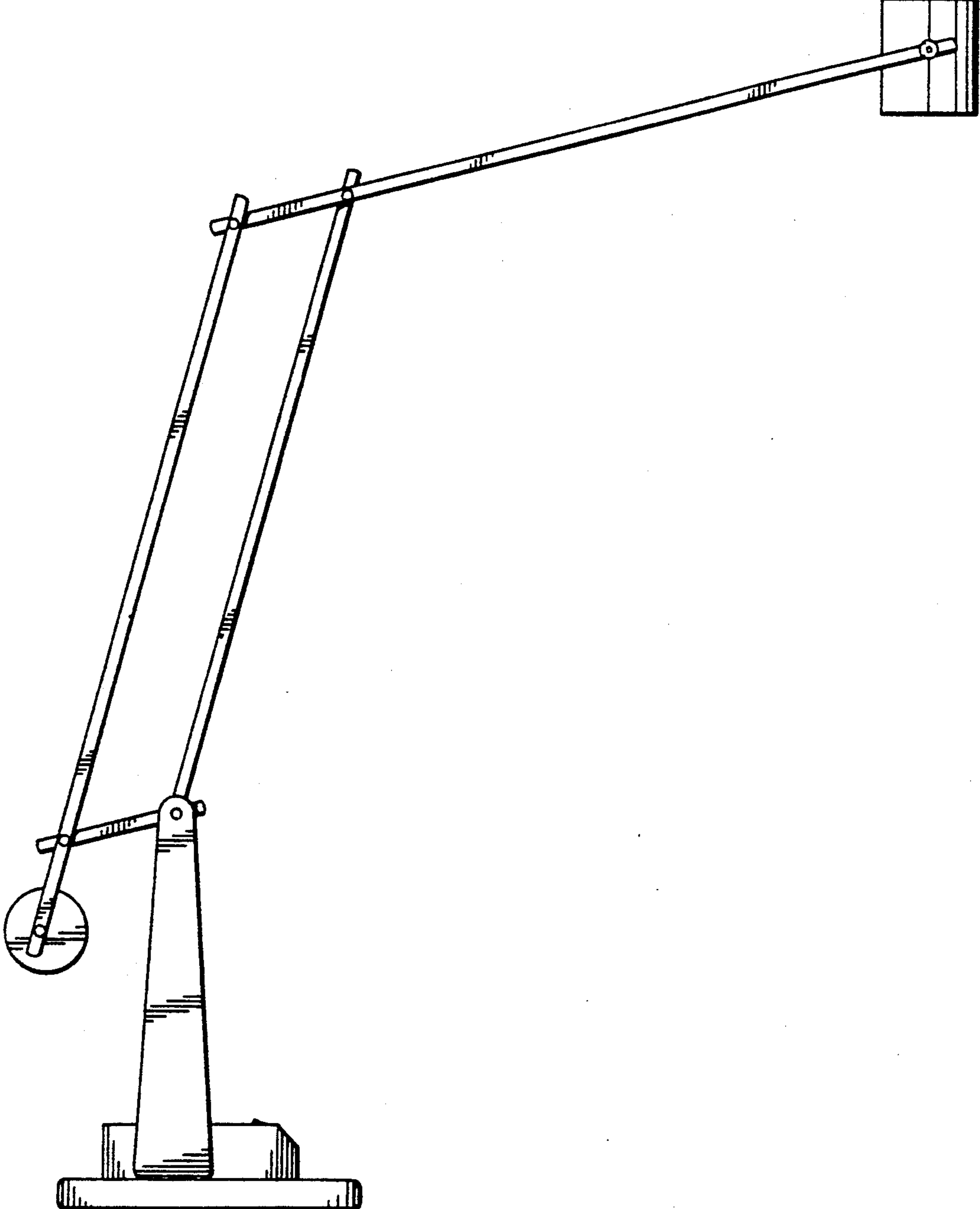


Fig. 6

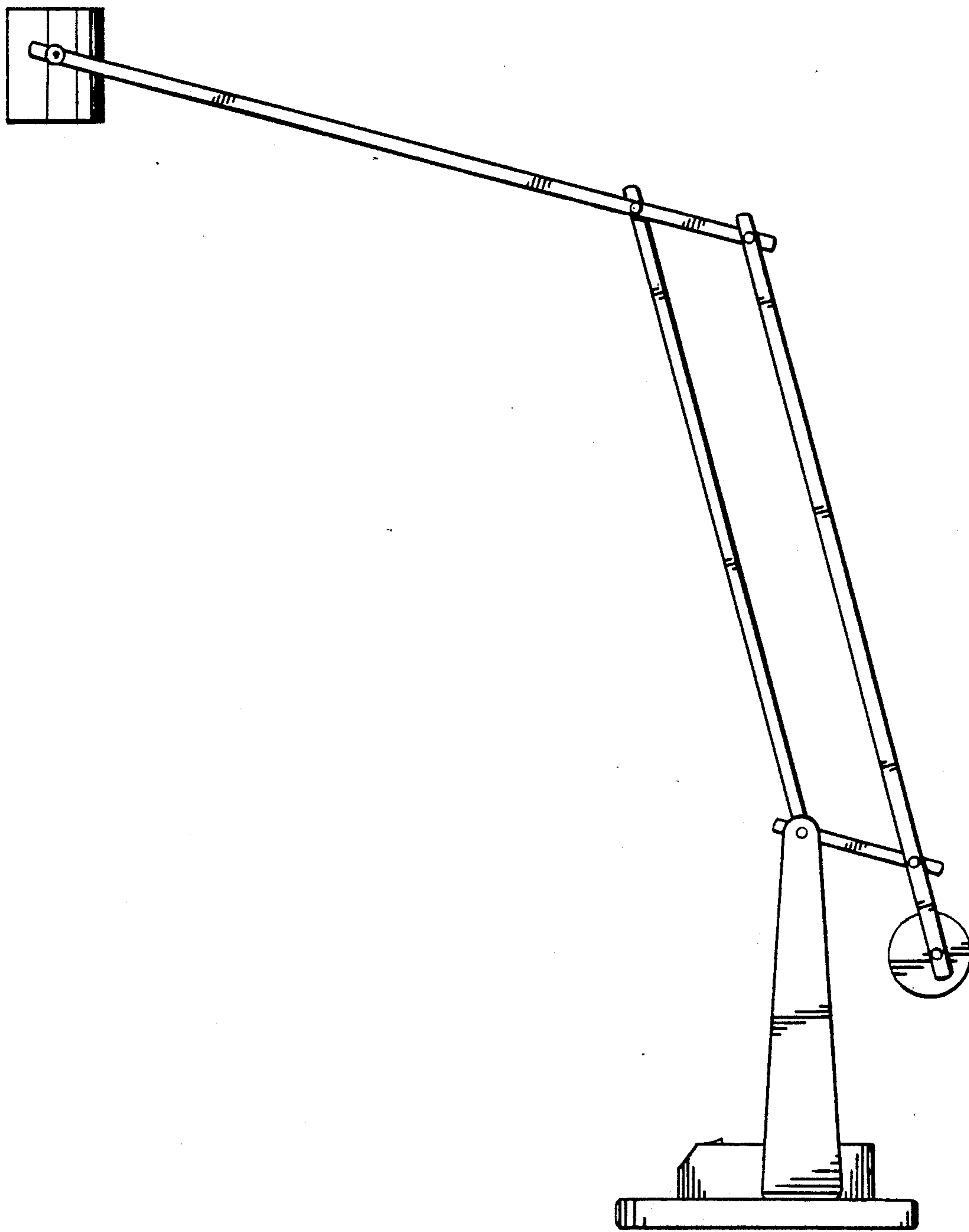


Fig. 7