

[54] SPOTLIGHT HOUSING

[75] Inventor: Bruno Gecchelin, Milan

[73] Assignee: Iguzzini Illuminazione S.p.A., Recanati, Italy

[*] Notice: The portion of the term of this patent subsequent to May 28, 2005 has been disclaimed.

[**] Term: 14 Years

[21] Appl. No.: 164,627

[22] Filed: Mar. 7, 1988

[30] Foreign Application Priority Data

Sep. 15, 1987 [IT] Italy 22337/87[U]
[52] U.S. Cl. D26/63
[58] Field of Search D26/60-65;
362/147, 33, 269, 275, 418, 419, 427, 428

[56] References Cited

U.S. PATENT DOCUMENTS

D. 287,413 12/1986 Kusmer et al. D26/65

D. 299,552 1/1989 Donato D26/63
4,414,617 11/1983 Galindo D26/61 X
4,727,460 2/1988 Payne 362/269

OTHER PUBLICATIONS

Home Lighting and Accessories, 1-1986, p. 29, Track Light.

Primary Examiner—Susan J. Lucas
Attorney, Agent, or Firm—Hedman, Gibson, Costigan & Hoare

[57] CLAIM

The ornamental design for a spotlight housing, as shown and described.

DESCRIPTION

FIG. 1 is a top perspective view of a spotlight housing, showing my new design;
FIG. 2 is a front elevational view thereof;
FIG. 3 is a rear elevational view thereof;
FIG. 4 is a first side elevational view thereof;
FIG. 5 is a second side elevational view thereof;
FIG. 6 is a bottom plan view thereof; and
FIG. 7 is a top plan view thereof.

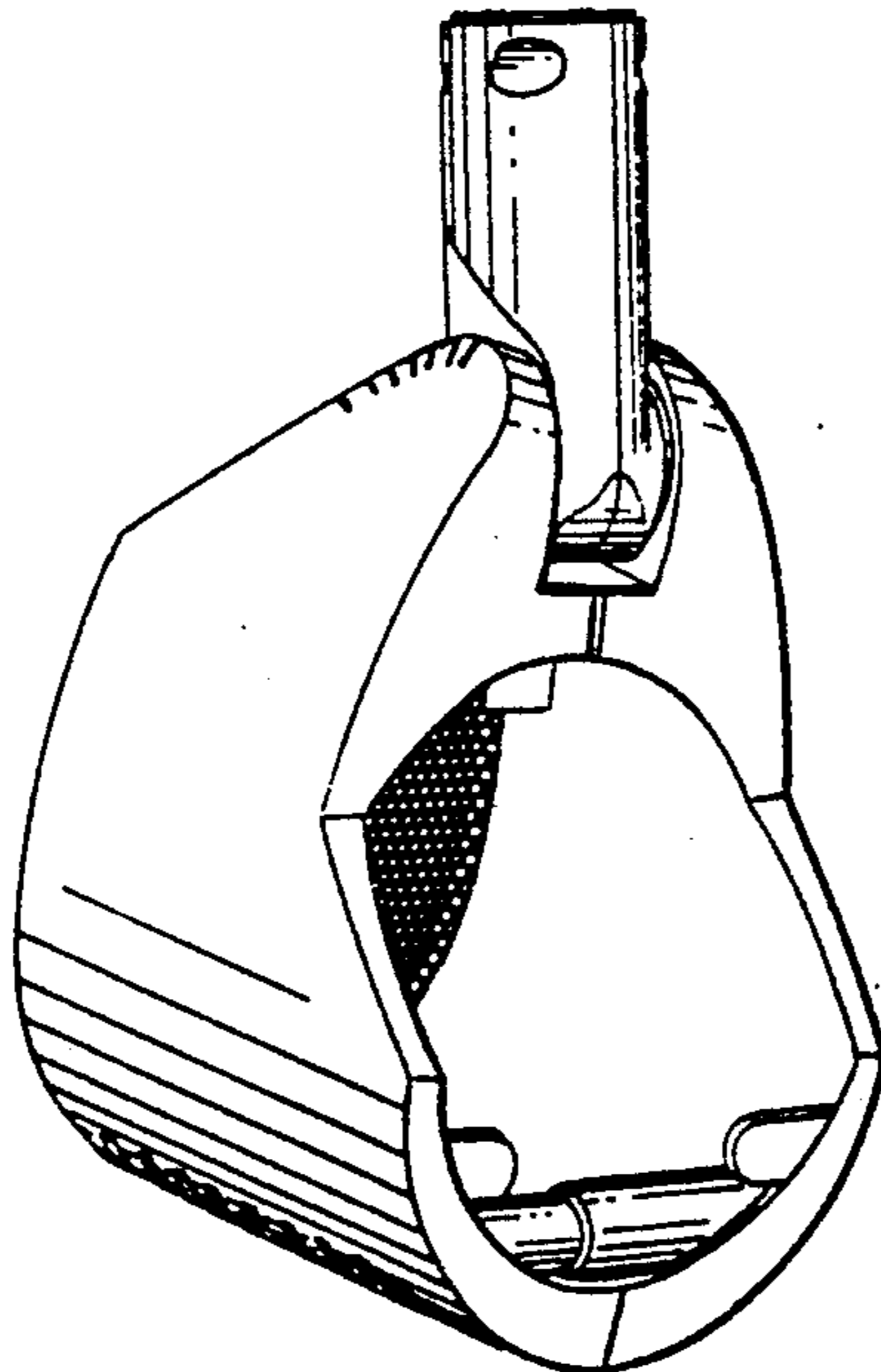


Fig.1

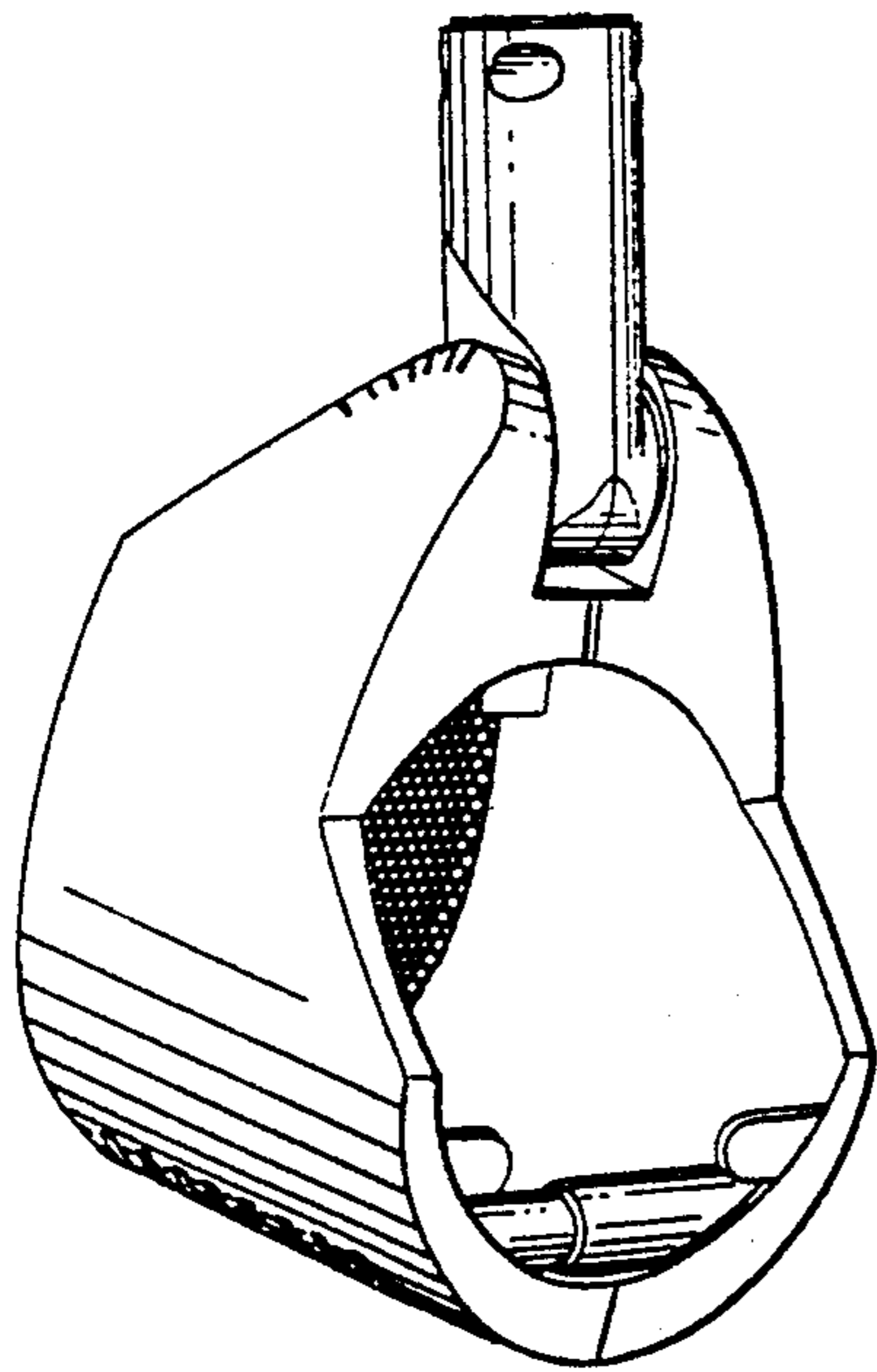


Fig.2

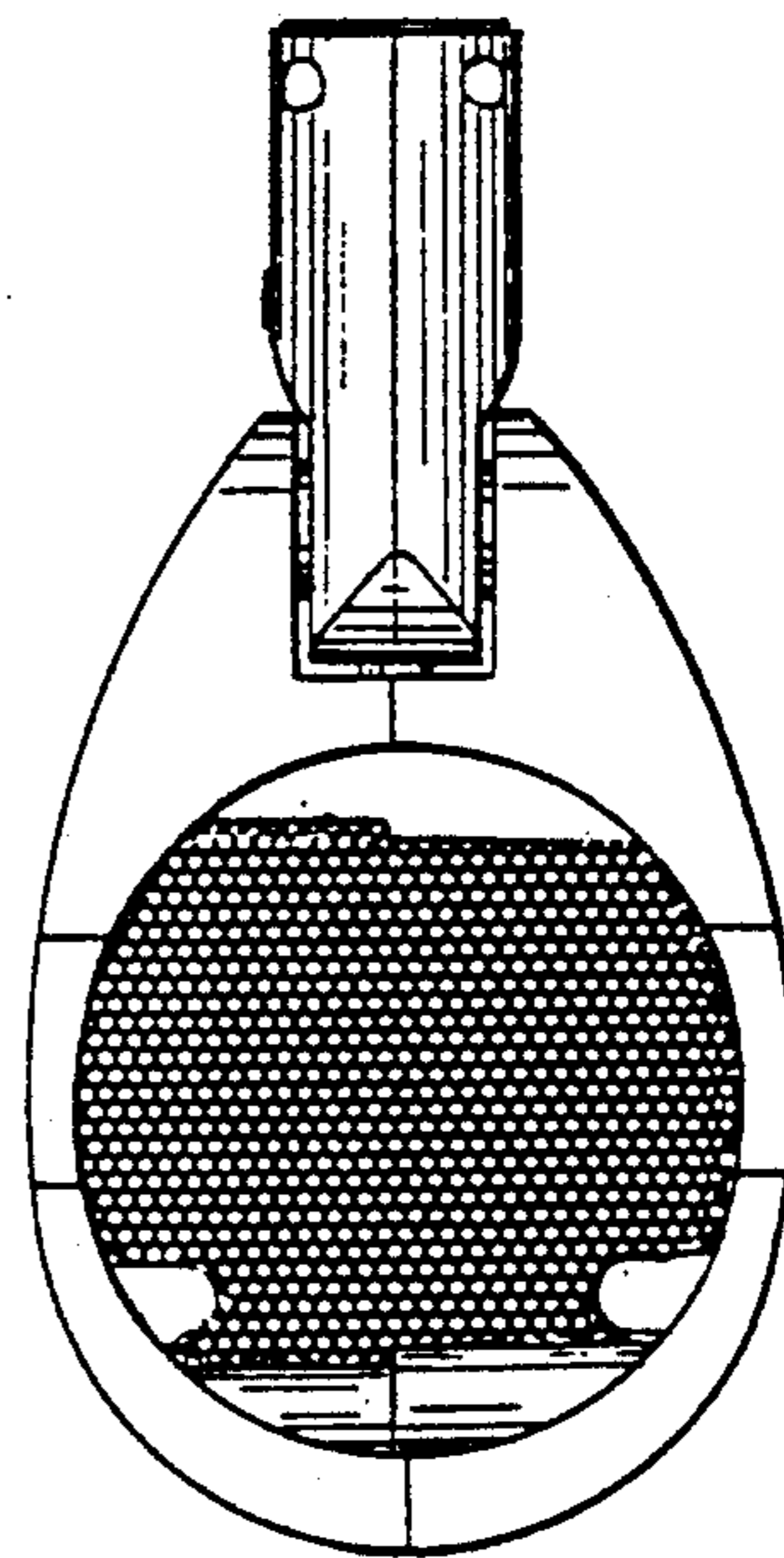
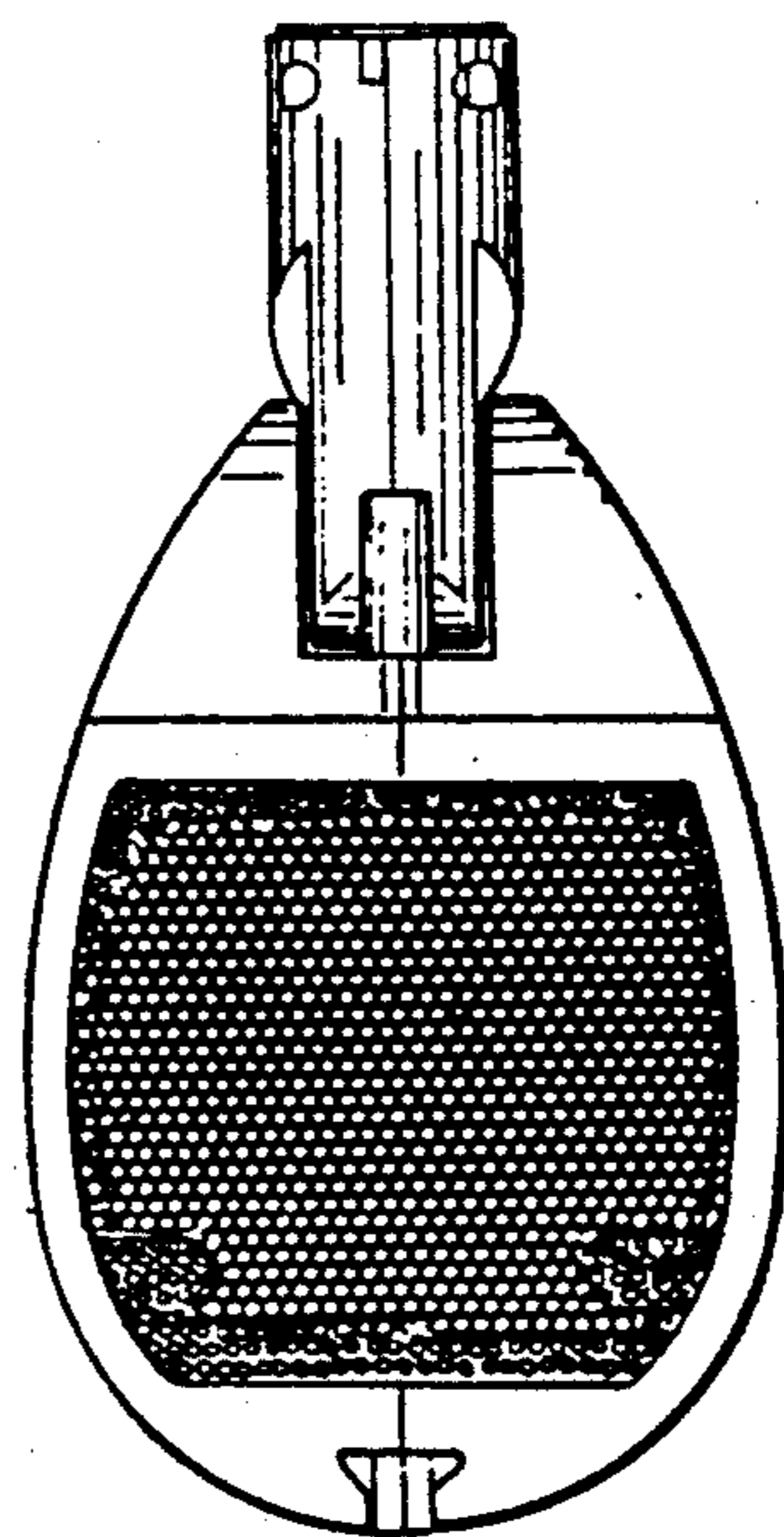


Fig.3



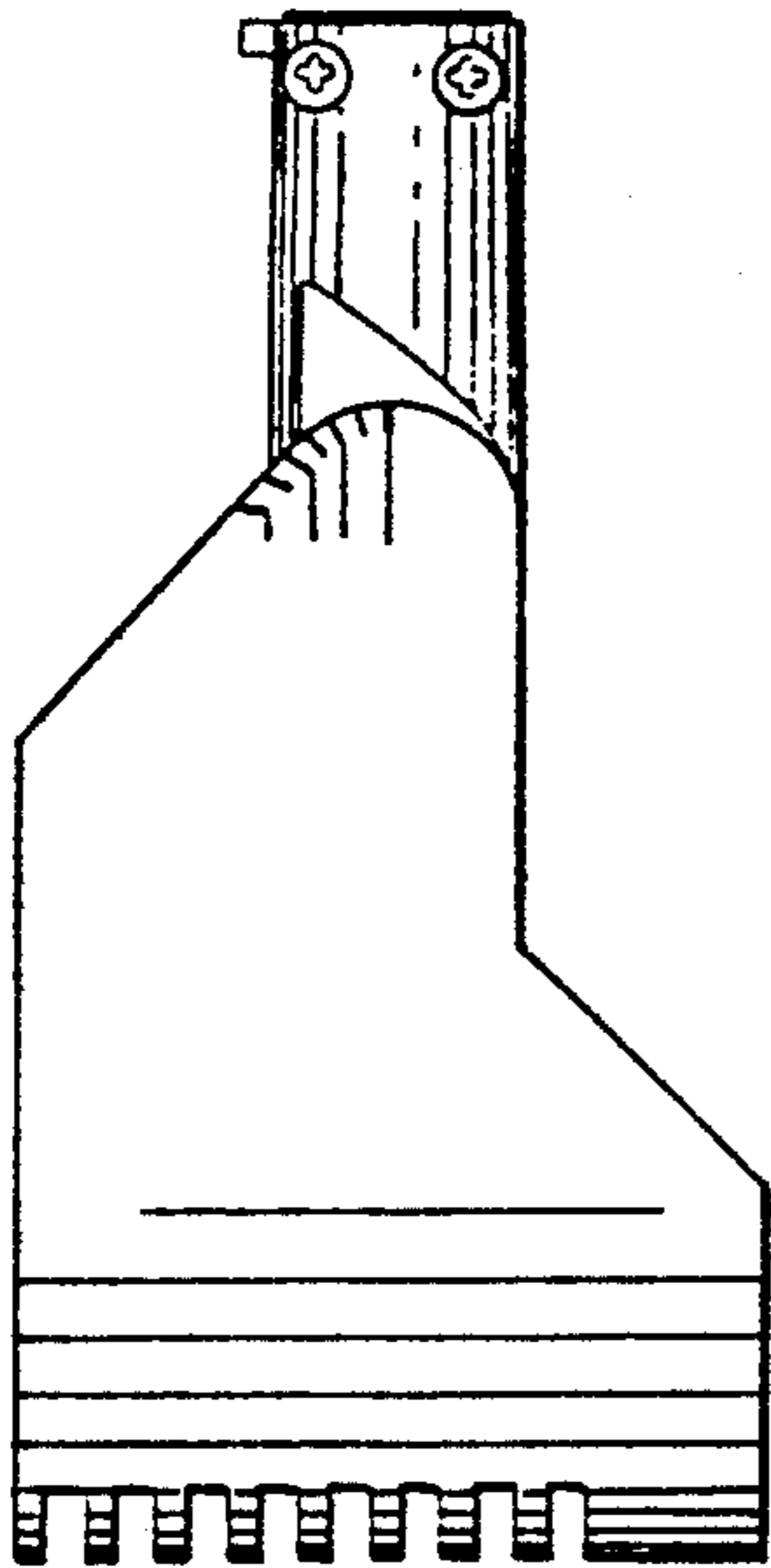


Fig. 4

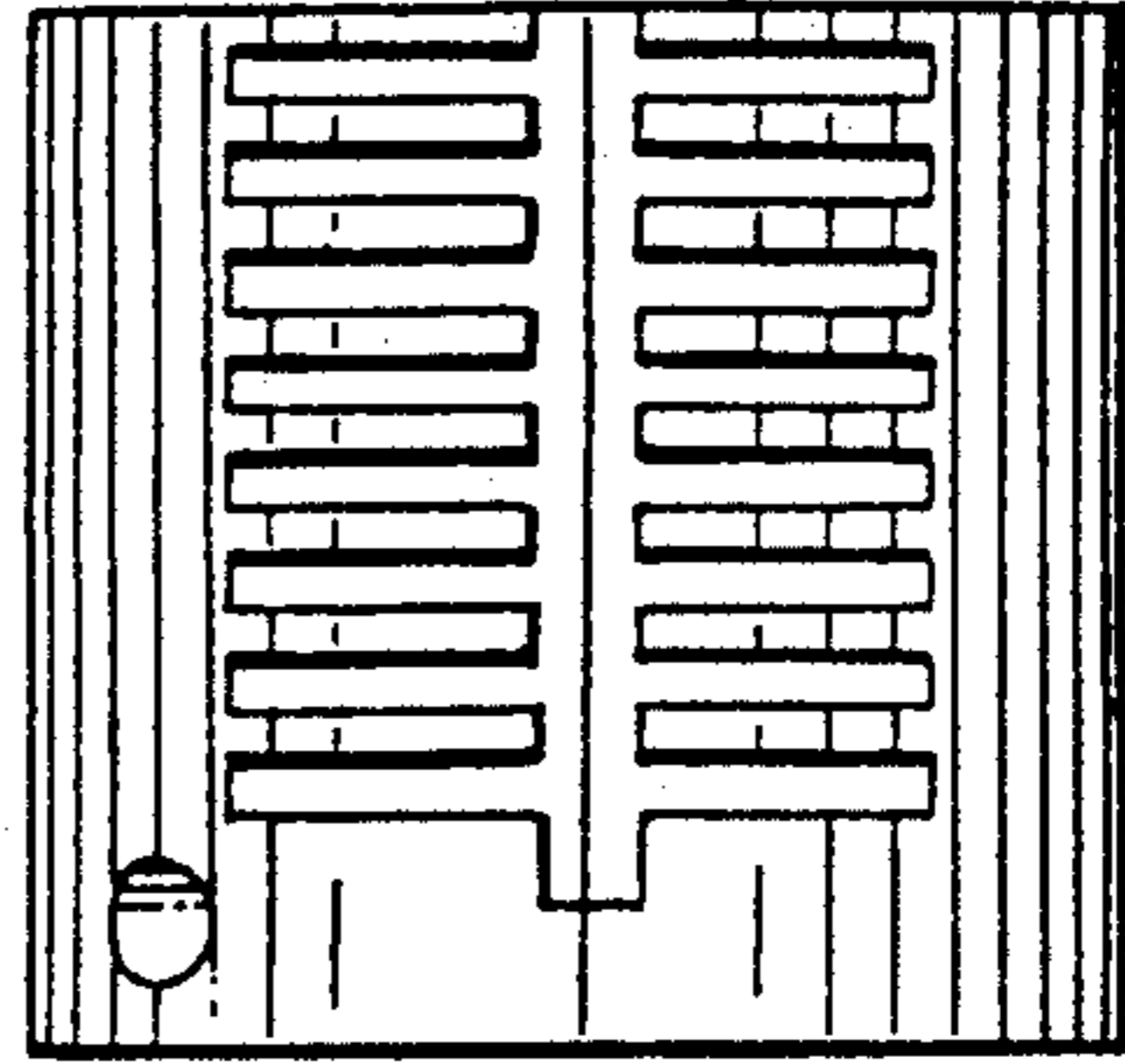


Fig. 6

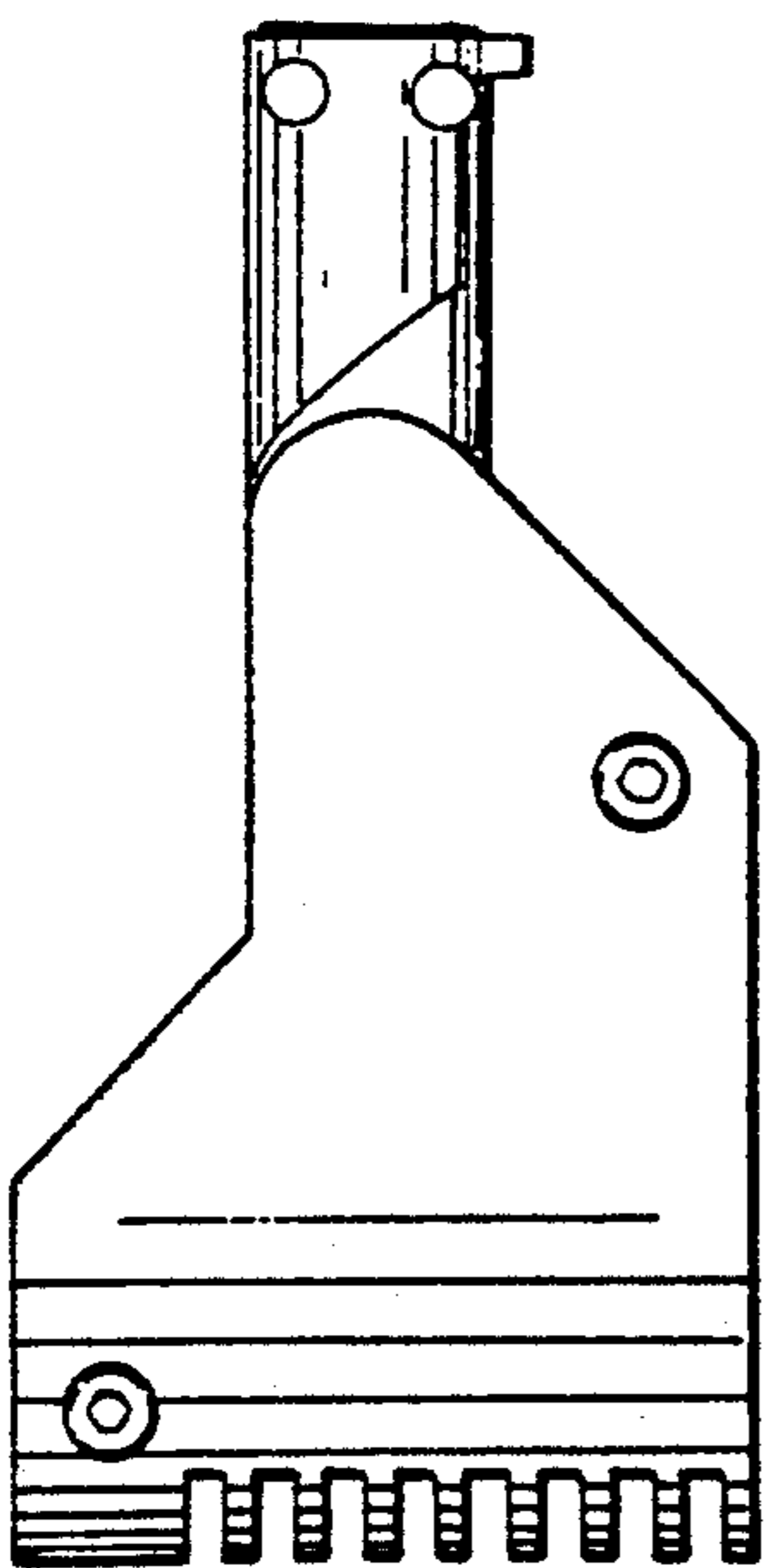


Fig. 5

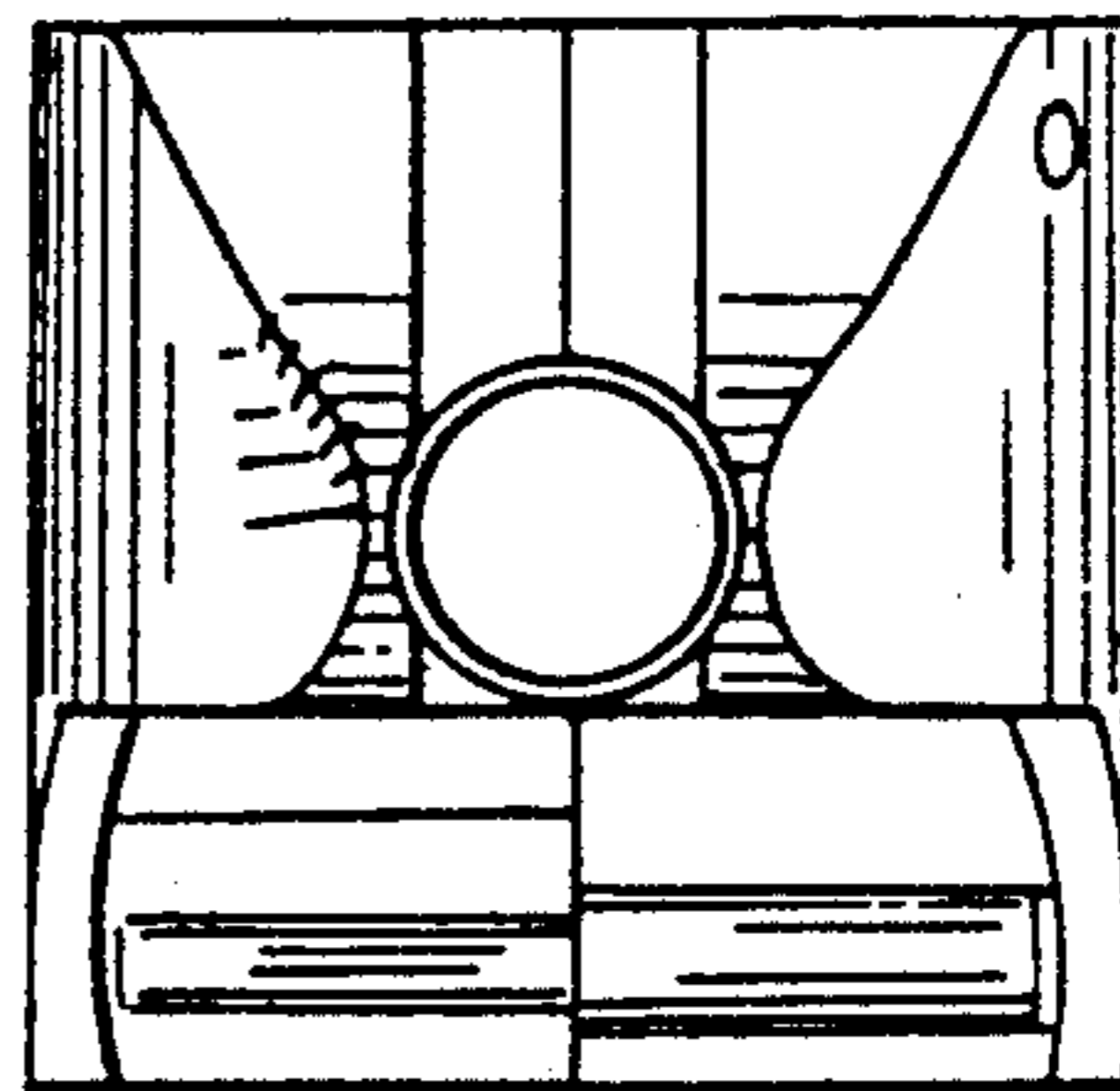


Fig. 7