

[54] ILLUMINATED CAP

[76] Inventor: Robert E. Mitchell, Rte. 1, Kelly, N.C. 28448

[**] Term: 14 Years

[21] Appl. No.: 293,494

[22] Filed: Jan. 4, 1989

[52] U.S. Cl. D26/39; D2/244

[58] Field of Search D26/39; D2/244; D29/112; 362/806, 106, 72; 2/209.2

[56] References Cited

U.S. PATENT DOCUMENTS

2,203,028	6/1940	Parrillo	362/106
2,448,240	8/1948	Walworth	362/106
2,943,186	6/1960	Weiss	362/806 X

4,665,568	5/1987	Stutes	362/106 X
4,817,212	4/1989	Benoit	362/106 X

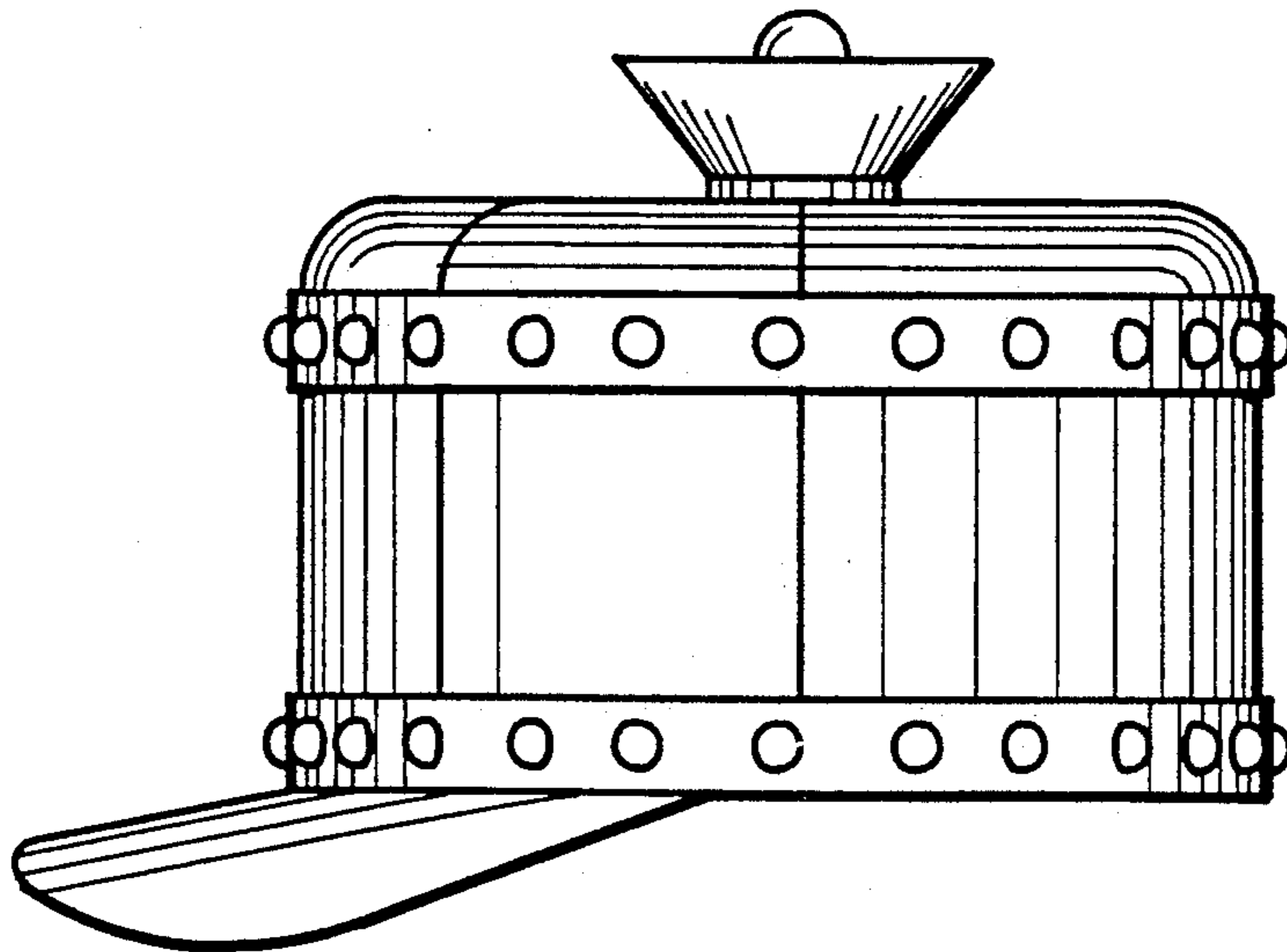
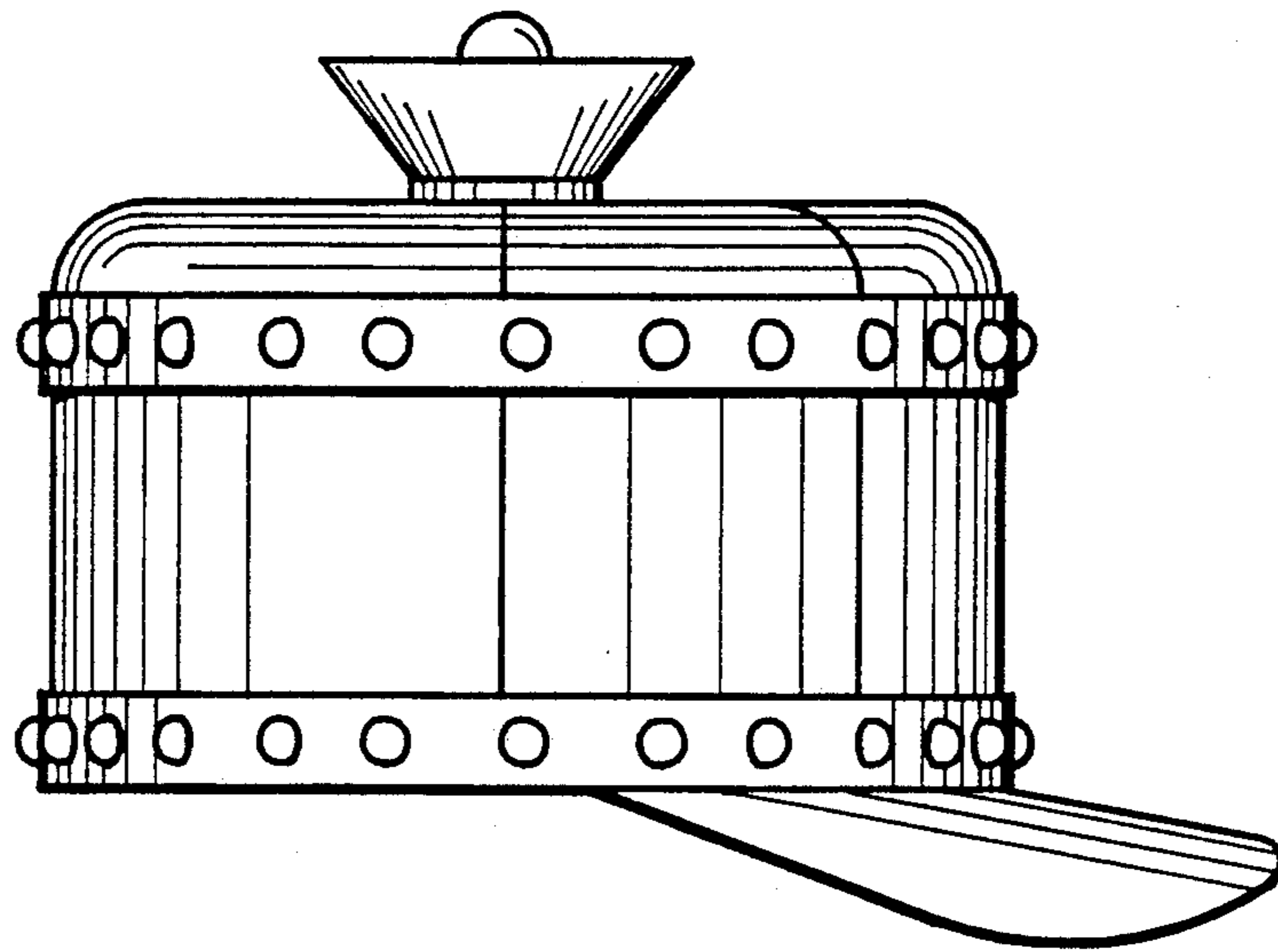
Primary Examiner—Susan J. Lucas
Attorney, Agent, or Firm—Jerry T. Kearns

[57] CLAIM

The ornamental design for an illuminated cap, as shown and described.

DESCRIPTION

FIG. 1 is a front elevational view of an illuminated cap showing my new design;
FIG. 2 is a rear elevational view thereof;
FIG. 3 is a left side elevational view thereof;
FIG. 4 is a right side elevational view thereof;
FIG. 5 is a top plan view thereof;
FIG. 6 is a bottom plan view thereof; and,



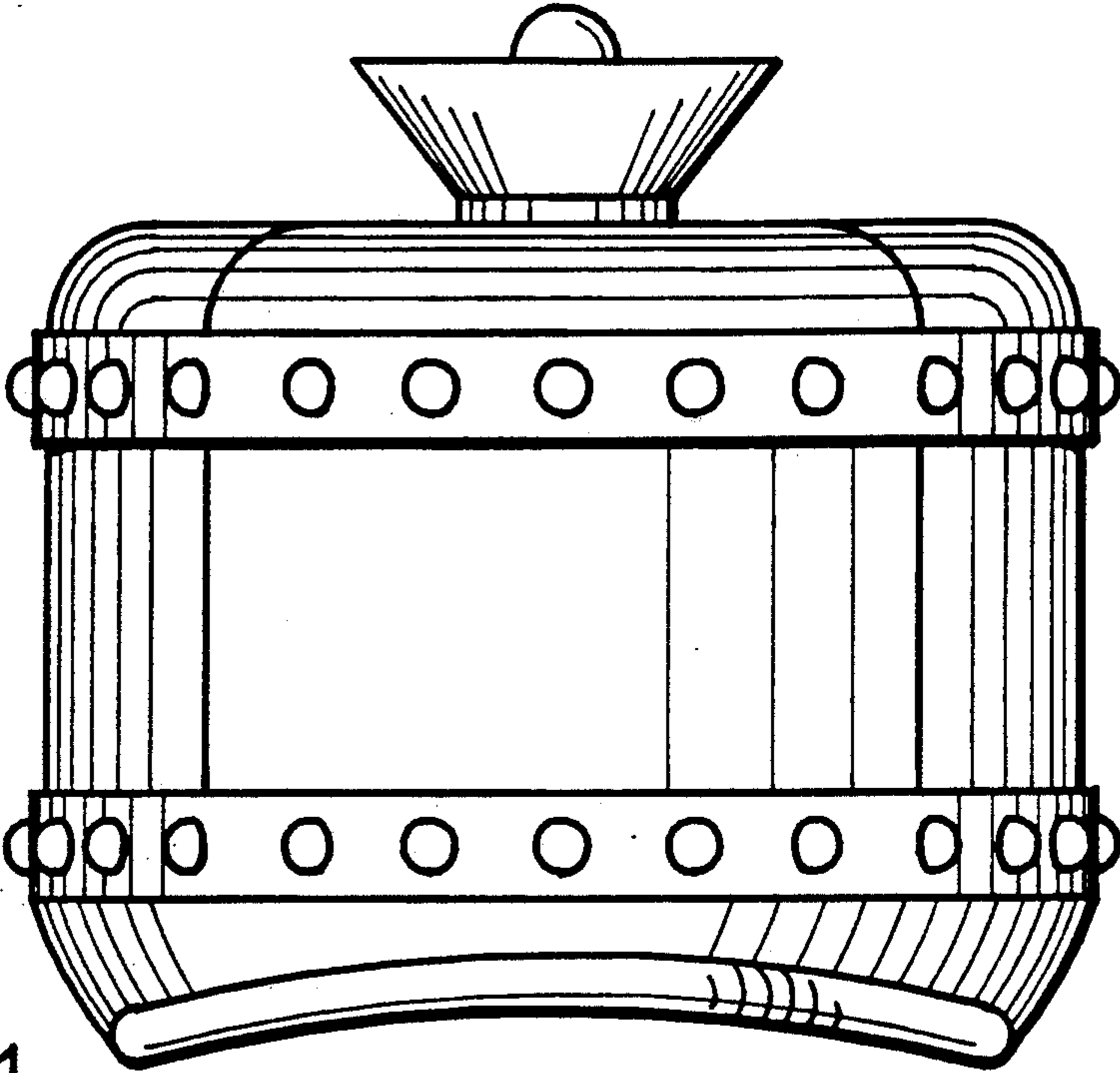


Fig. 1

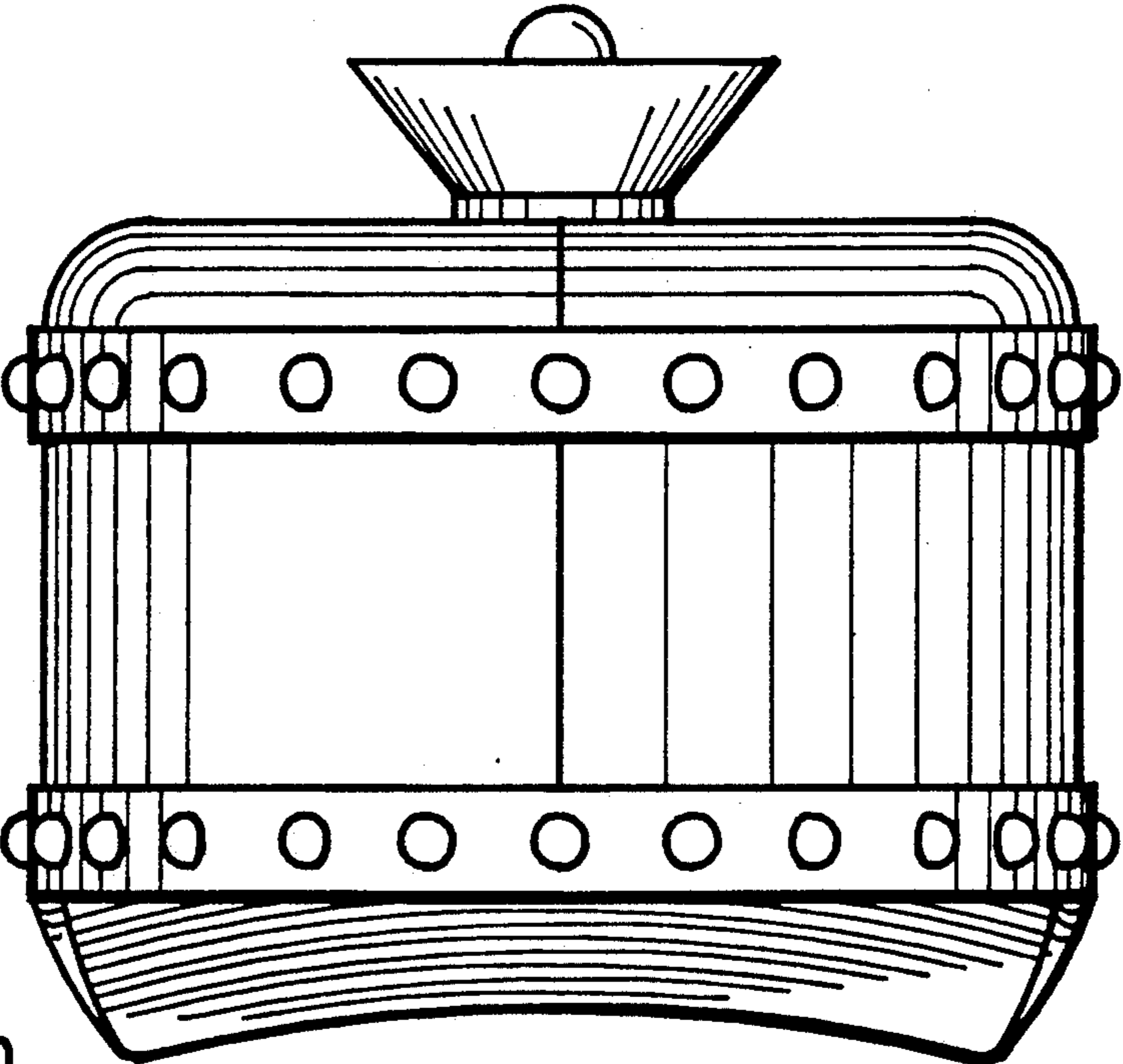


Fig. 2

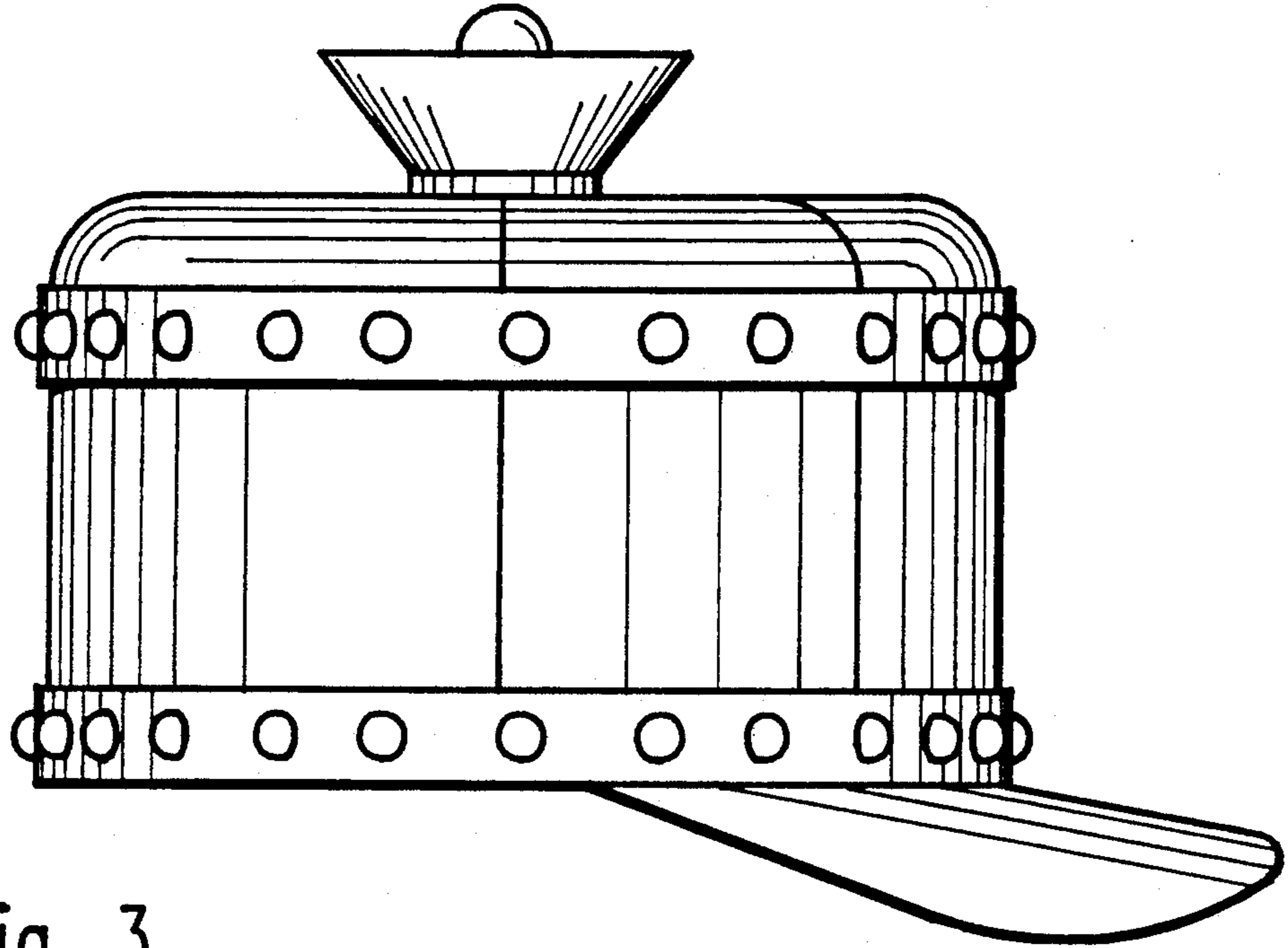


Fig. 3

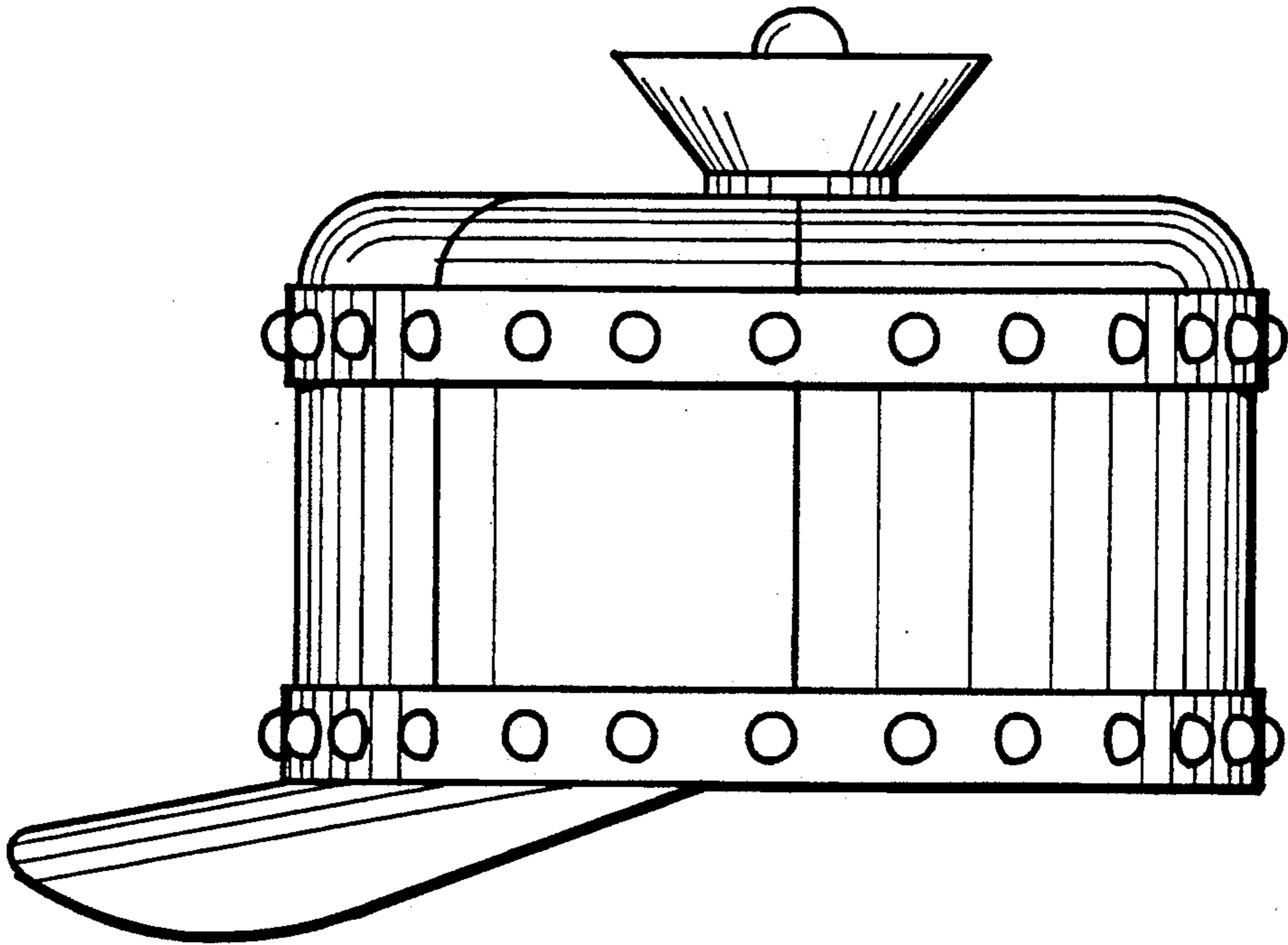


Fig. 4

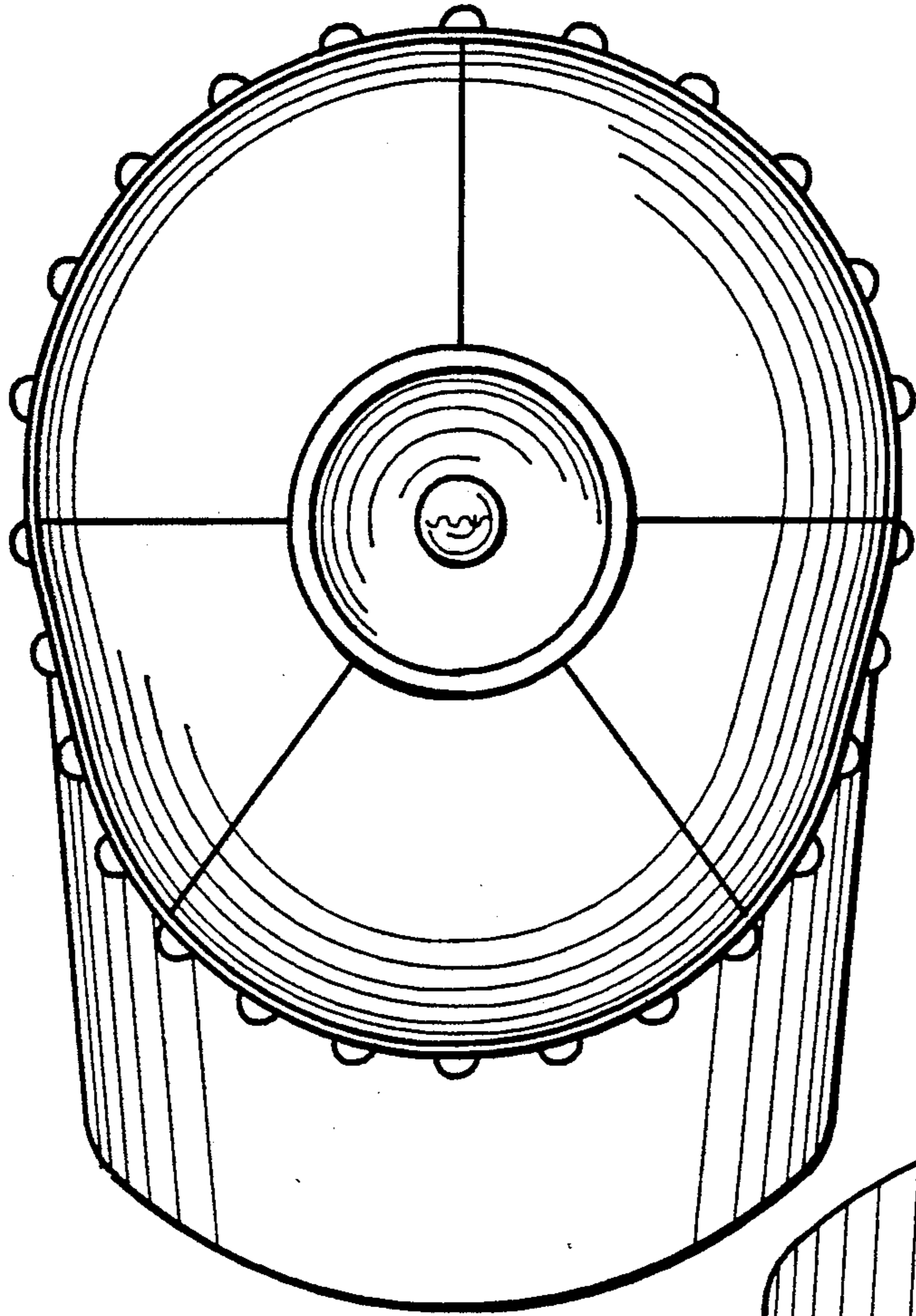


Fig. 5

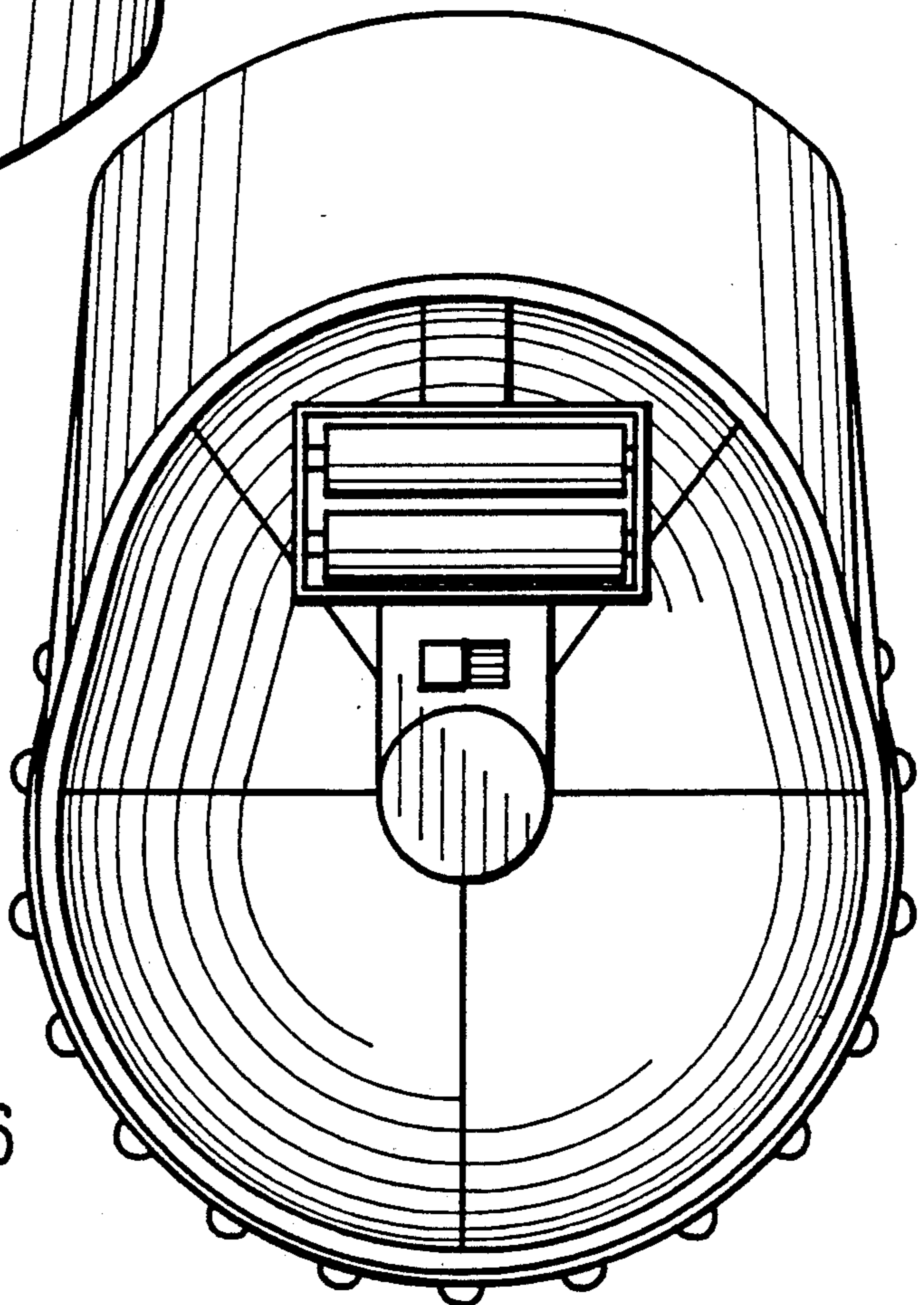


Fig. 6