

[54] RACK FOR MEDICAL INSTRUMENTS

[75] Inventor: Roy Allen, Southampton, Pa.

[73] Assignee: Dentronix, Inc., Ivyland, Pa.

[**] Term: 14 Years

[21] Appl. No.: 209,764

[22] Filed: Jun. 22, 1988

[52] U.S. Cl. D24/229

[58] Field of Search D24/31, 32, '99, 8;
211/72, 73, 74, 70.6; 206/364, 370; 248/309.1;
D9/341, 346; D3/30.1, 73

[56] References Cited

U.S. PATENT DOCUMENTS

- D. 210,720 4/1968 Anthon D24/32
- 3,279,648 10/1966 Worthington D9/346 X
- 4,105,115 8/1978 Horvath et al. 206/370

- 4,321,999 3/1982 Higgins 206/370
- 4,343,172 8/1982 Nordlund 211/70.6 X

Primary Examiner—Stella Reid

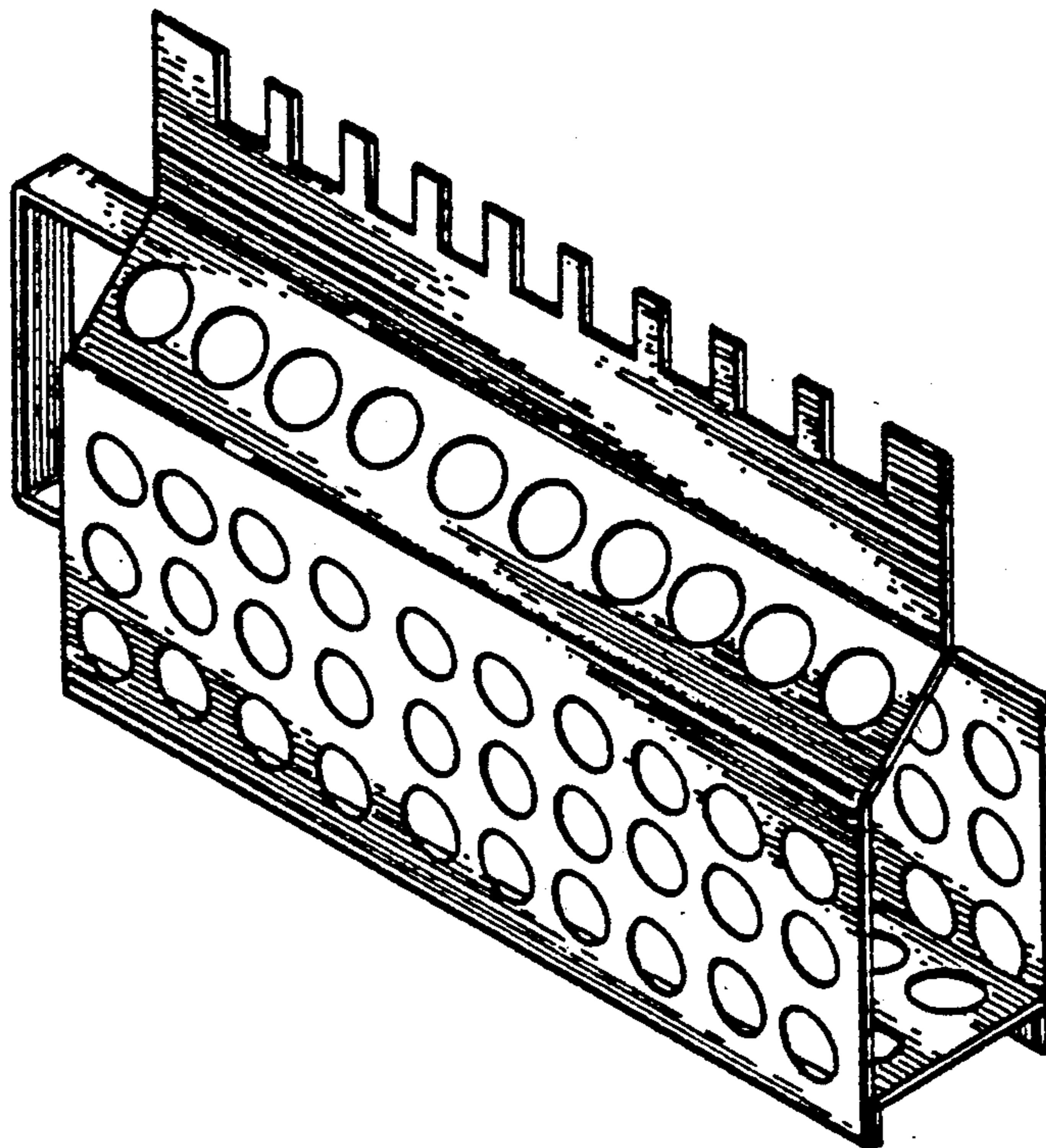
Attorney, Agent, or Firm—Panitch, Schwarze, Jacobs & Nadel

[57] CLAIM

The ornamental design for a rack for medical instruments, as shown and described.

DESCRIPTION

FIG. 1 is a perspective view of a rack for medical instruments, showing my new design;
 FIG. 2 is a side elevational view thereof, the opposite side being identical thereto;
 FIG. 3 is a right end elevational view thereof;
 FIG. 4 is a left end elevational view thereof;
 FIG. 5 is a top plan view thereof; and
 FIG. 6 is a bottom plan view thereof.



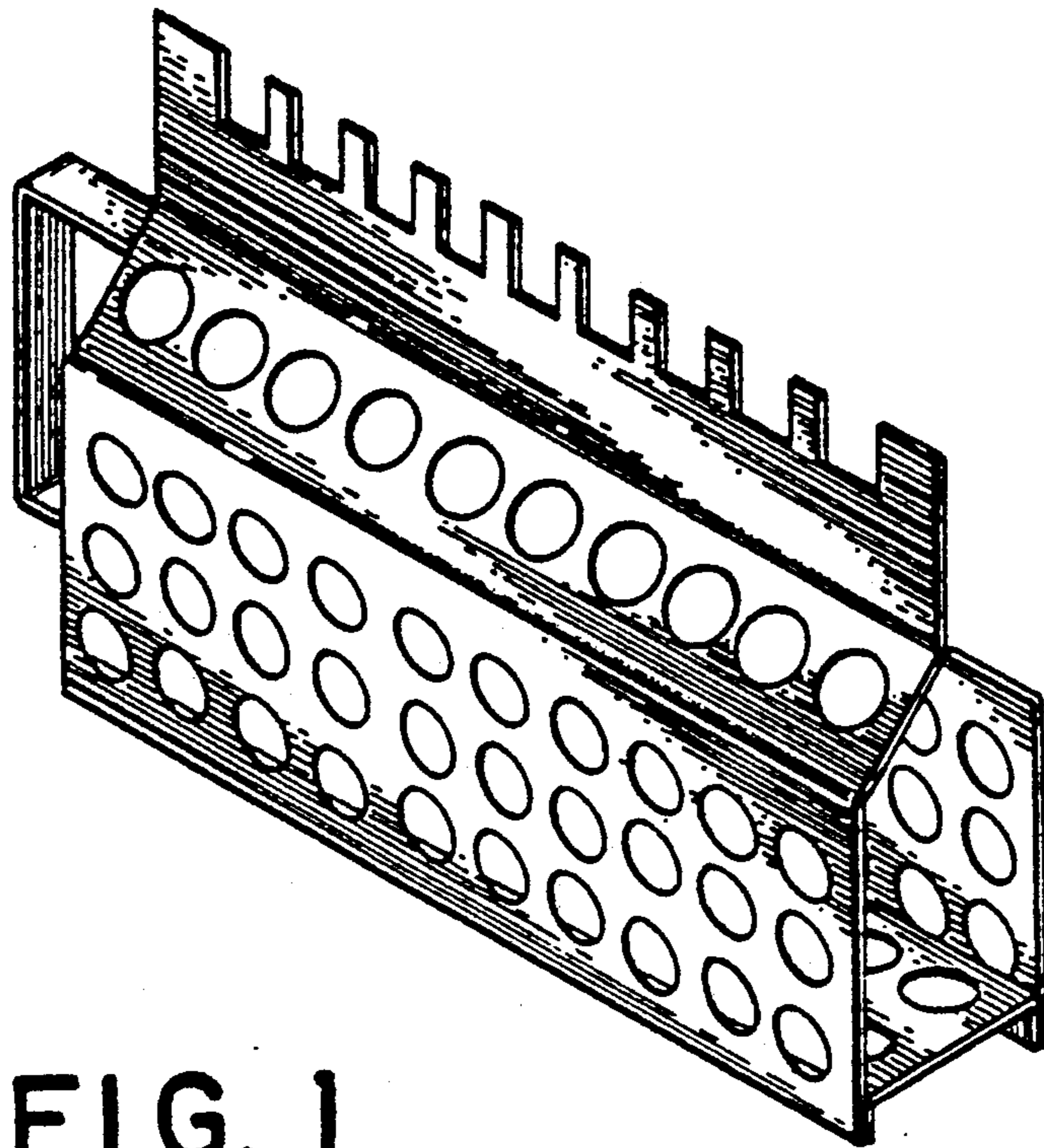


FIG. 1

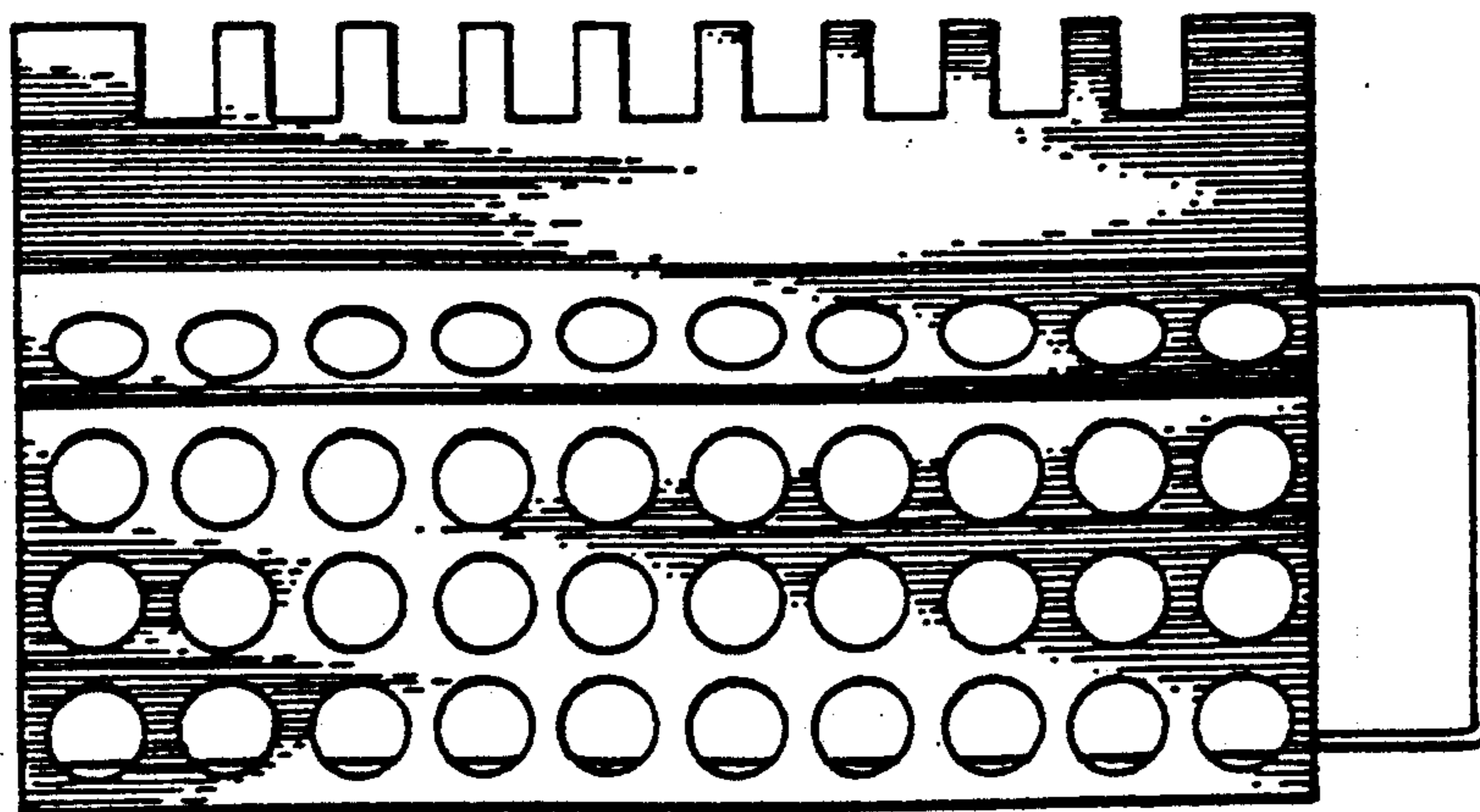


FIG. 2

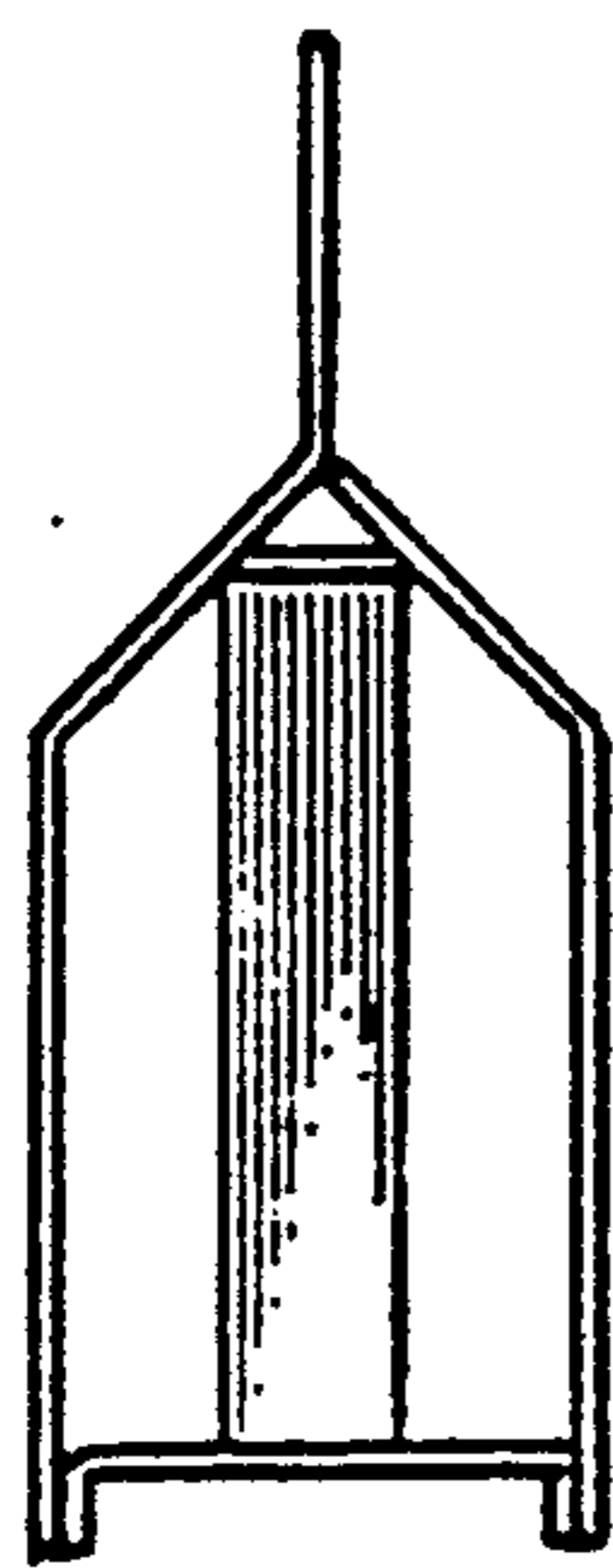


FIG. 3

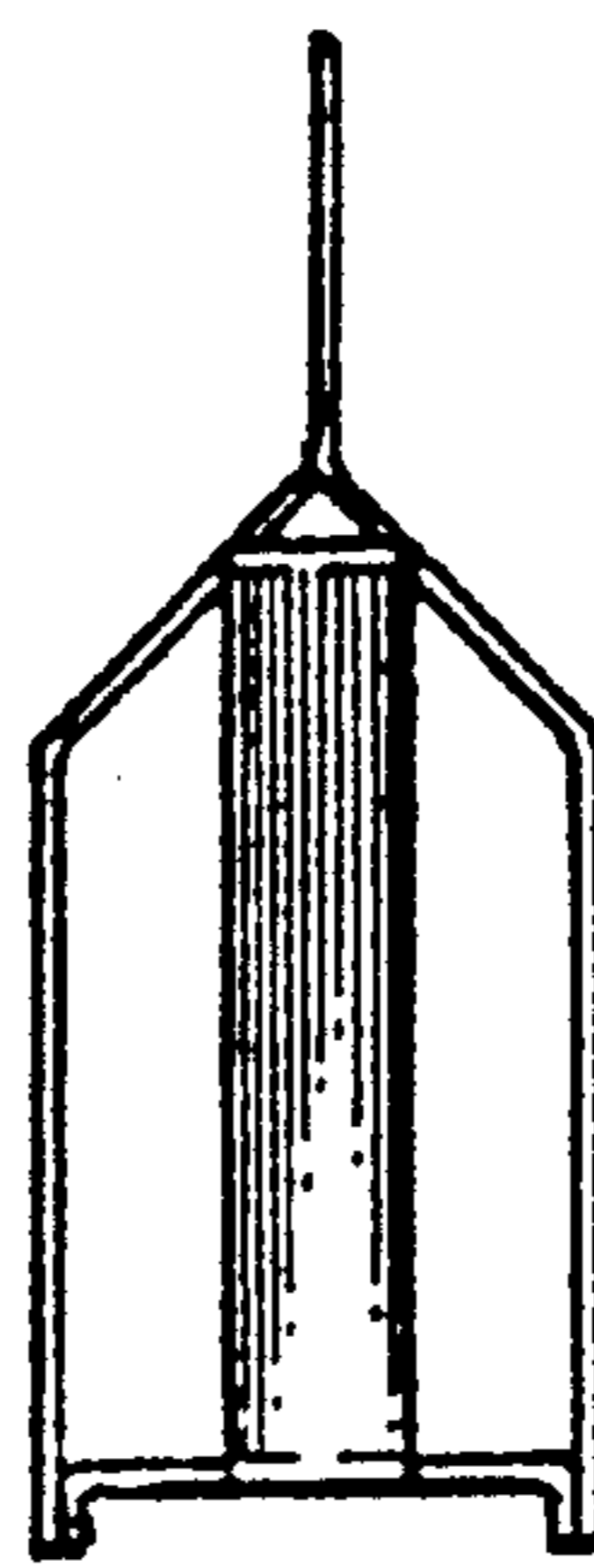


FIG. 4

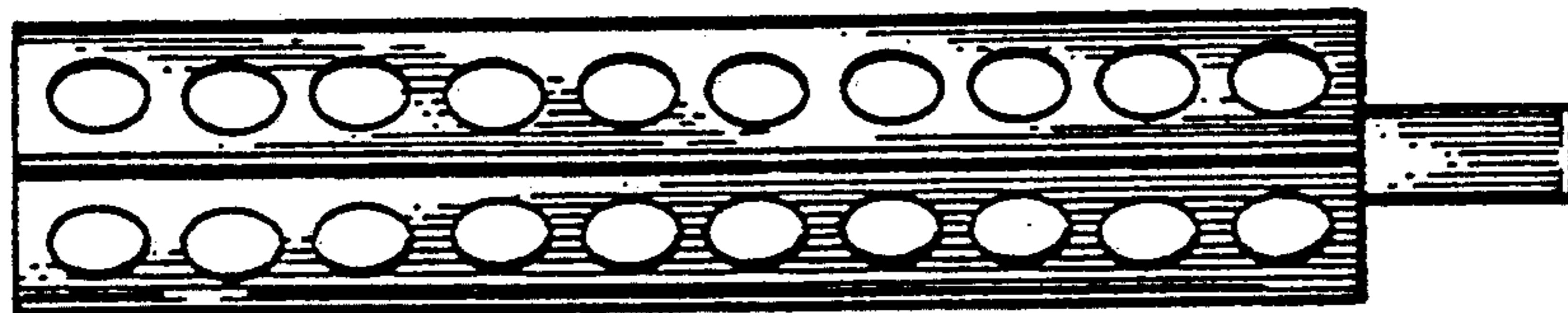


FIG. 5

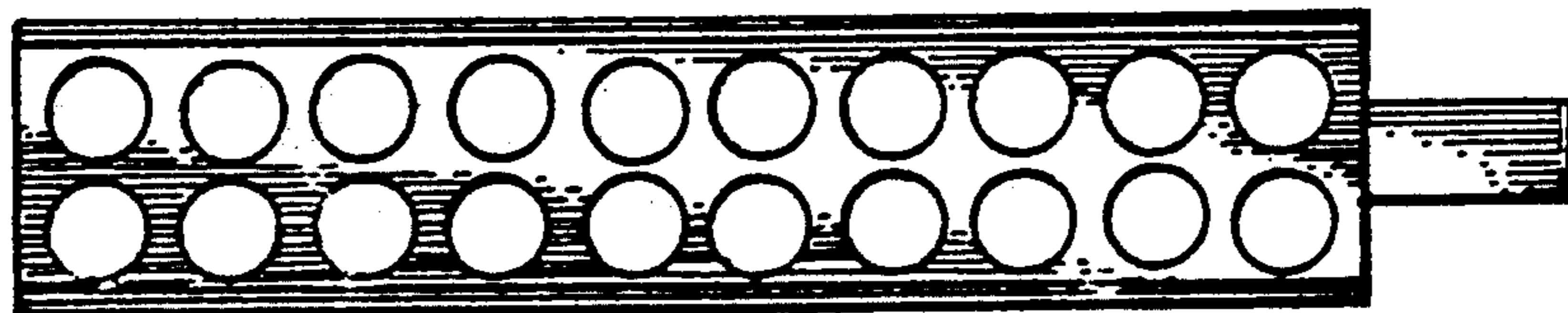


FIG. 6