

[54] BLOOD GLUCOSE MONITOR

[75] Inventors: Roger Phillips, Palo Alto; Geoffery McGarraugh, Scotts Valley; Franklin A. Jurik, San Mateo; Raymond D. Underwood, Red Bluff, all of Calif.

[73] Assignee: LifeScan, Inc., Mountain View, Calif.

[**] Term: 14 Years

[21] Appl. No.: 171,058

[22] Filed: Mar. 21, 1988

[52] U.S. Cl. D24/169; D24/186

[58] Field of Search D24/17, 21; 128/633, 128/635, 637, 763, 770; 436/95, 904; D10/46; 324/440-442, 446-450

[56] References Cited

U.S. PATENT DOCUMENTS

- D. 287,878 1/1987 Peeler D24/21
- 4,301,412 11/1981 Hill et al. 128/637 X
- 4,627,445 12/1986 Garcia et al. 128/770

4,637,403 1/1987 Garcia et al. D24/17 X

FOREIGN PATENT DOCUMENTS

3515420 10/1986 Fed. Rep. of Germany 128/770

Primary Examiner—Stella Reid

Attorney, Agent, or Firm—Paul A. Coletti

[57] CLAIM

The ornamental design for a blood glucose monitor, as shown and described.

DESCRIPTION

FIG. 1 is a perspective view of a blood glucose monitor, showing our new design, with the cap in closed position;

FIG. 2 is a front elevational view thereof;

FIG. 3 is a rear elevational view thereof;

FIG. 4 is a left side elevational view thereof;

FIG. 5 is a right side elevational view thereof;

FIG. 6 is a top plan view thereof;

FIG. 7 is a bottom plan view thereof; and

FIG. 8 is a perspective view thereof, with the cap in open position.

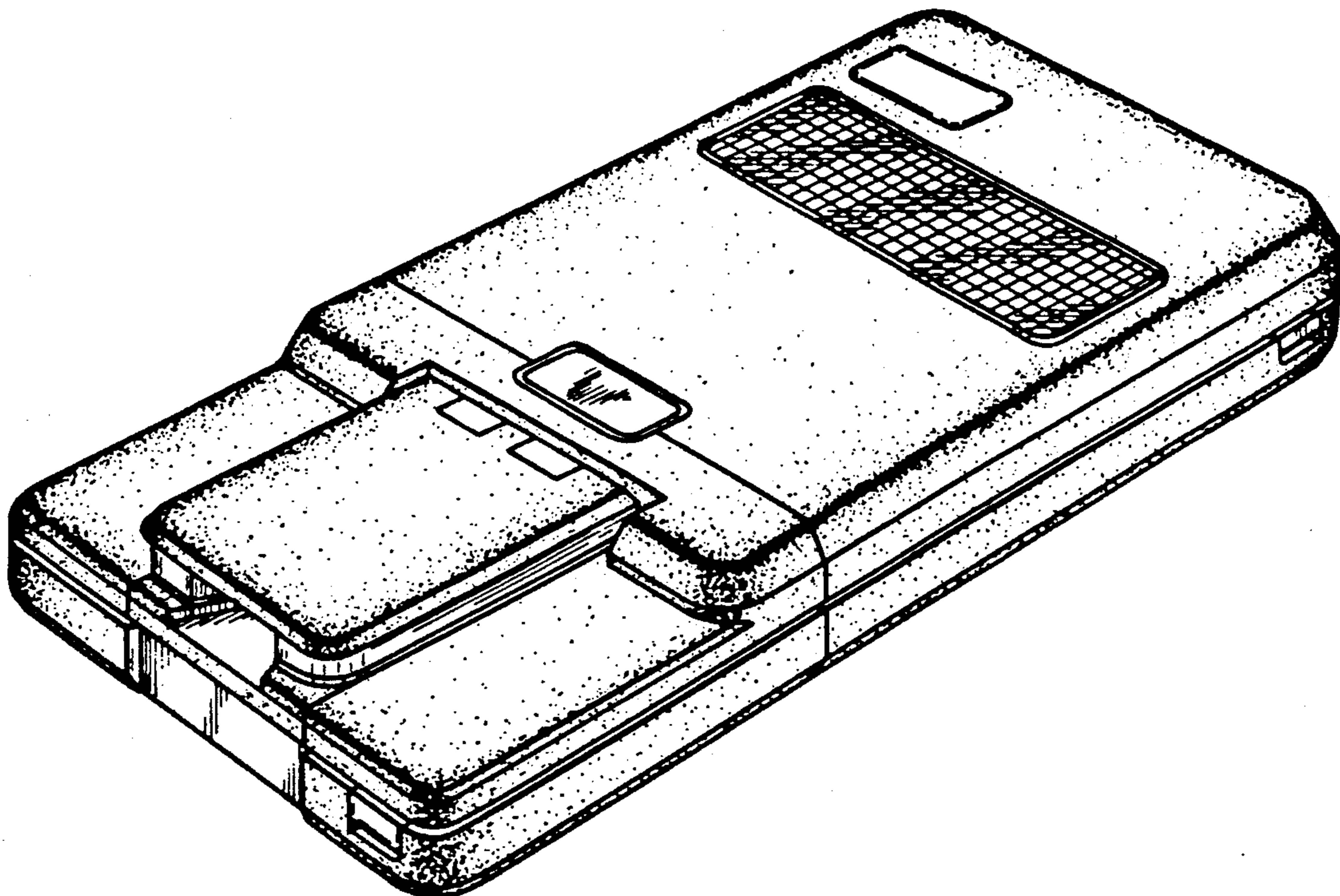


FIG-1

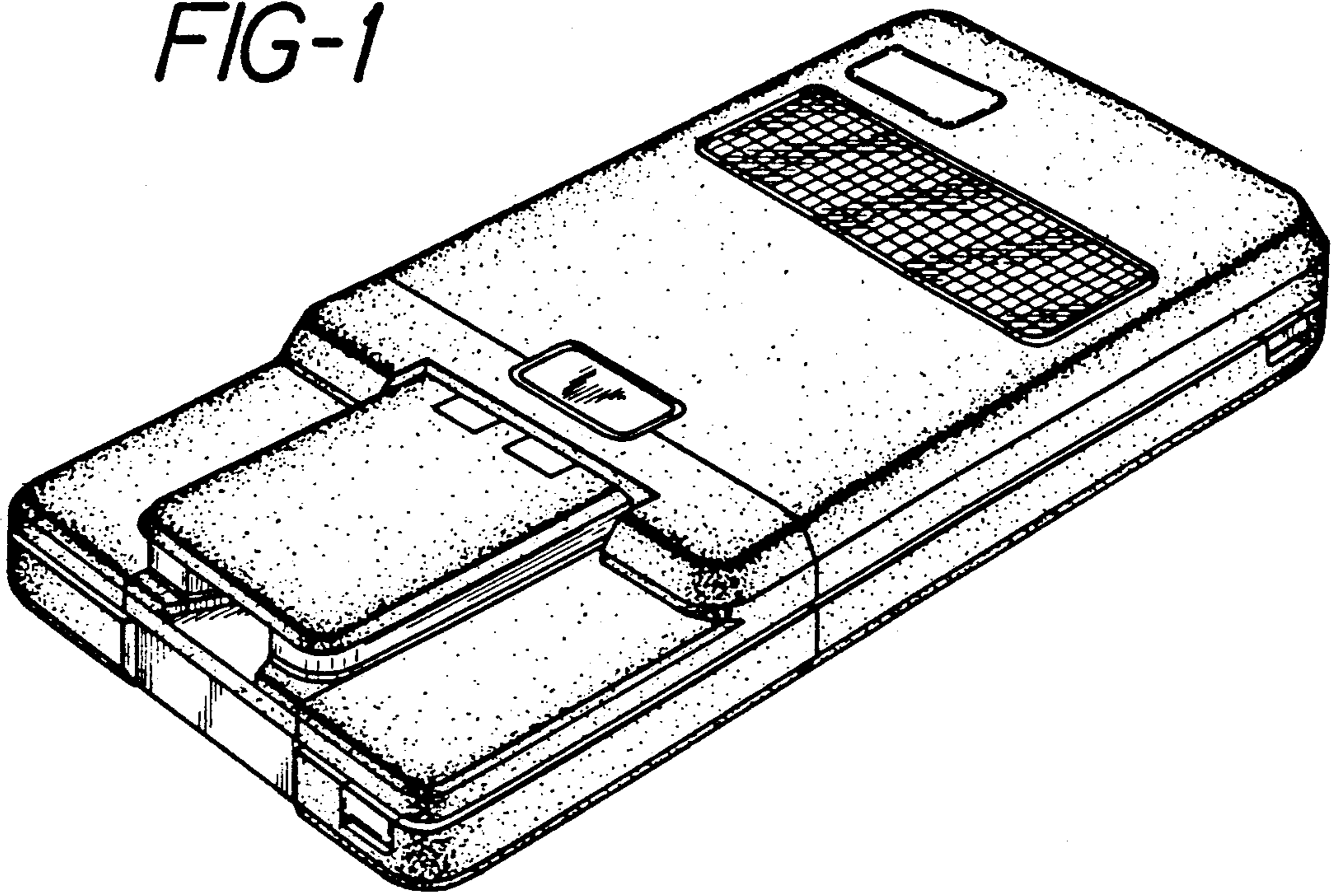


FIG-2

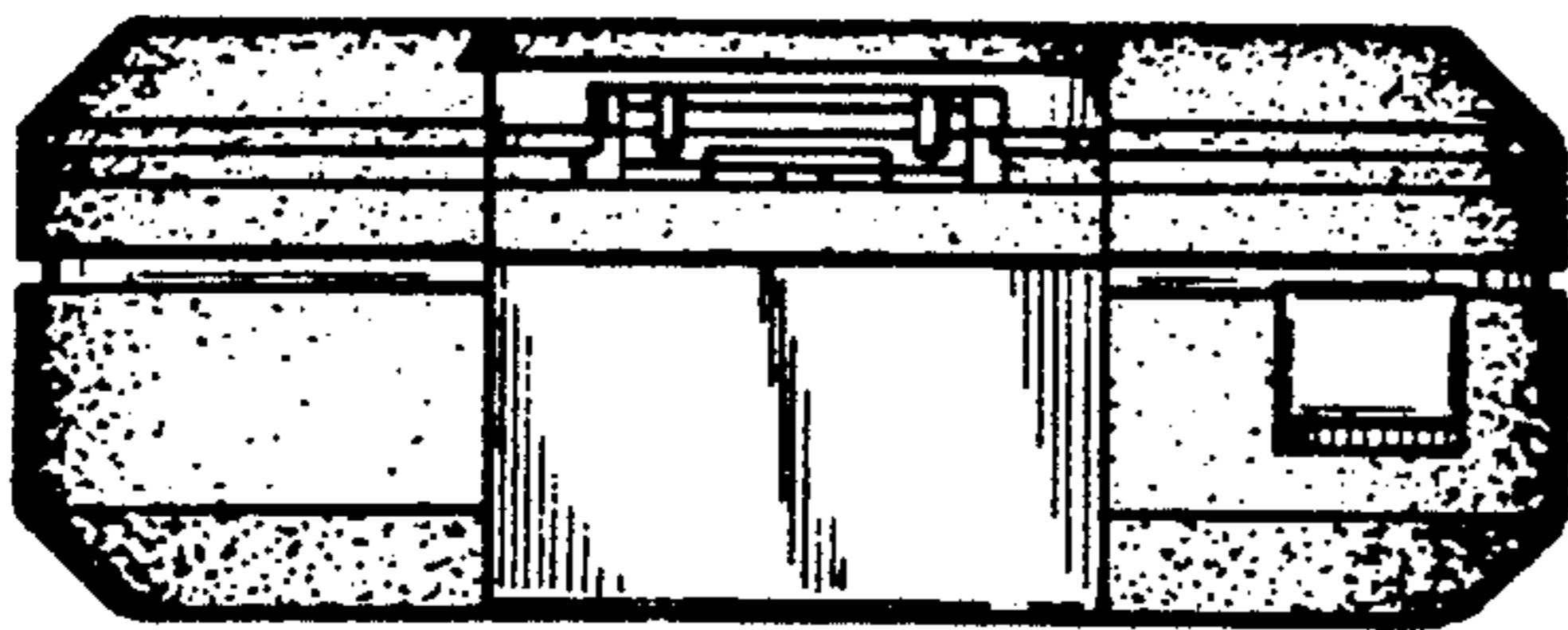


FIG-3

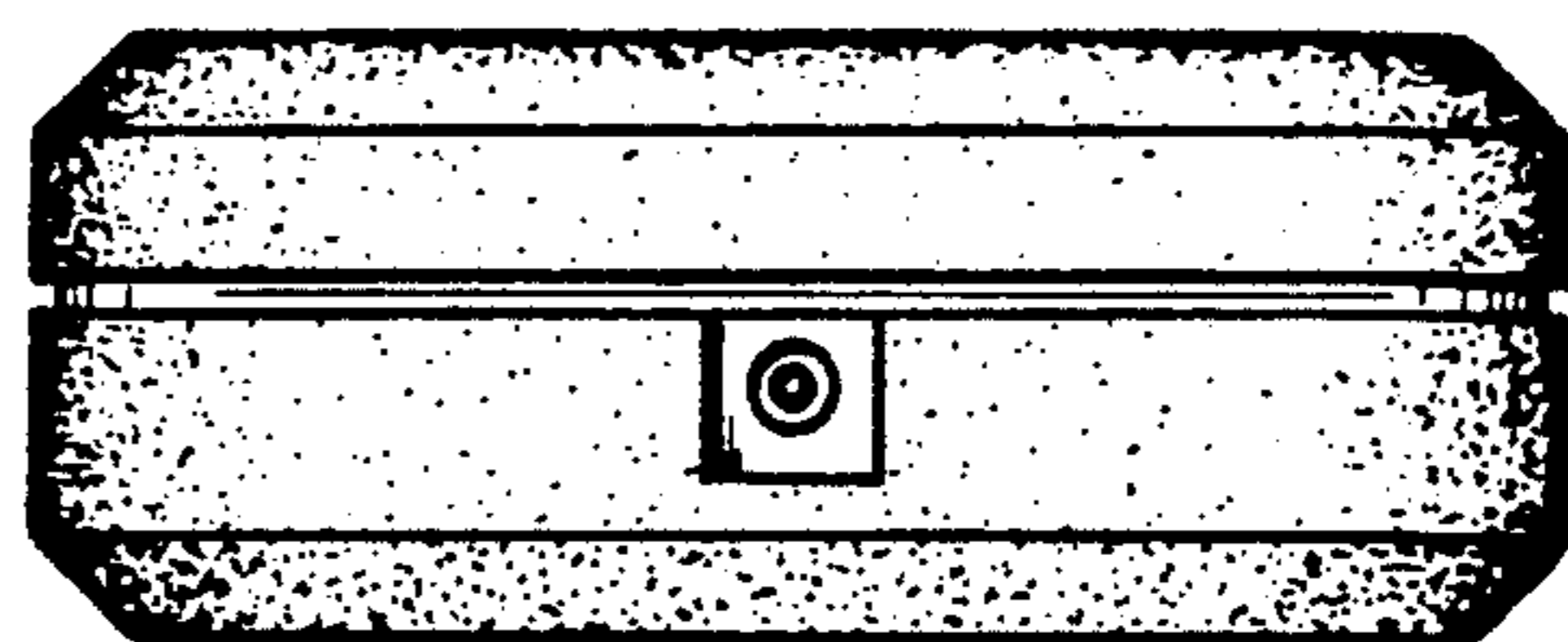


FIG-4



FIG-5

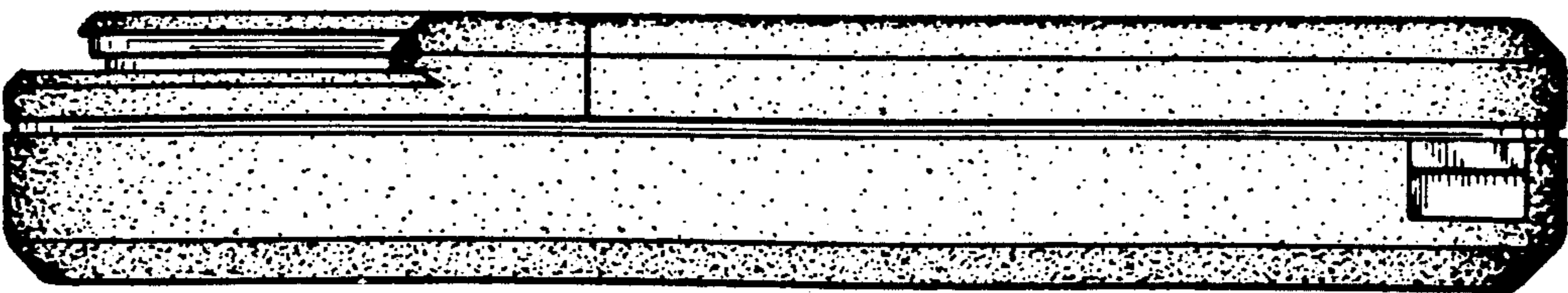


FIG-6

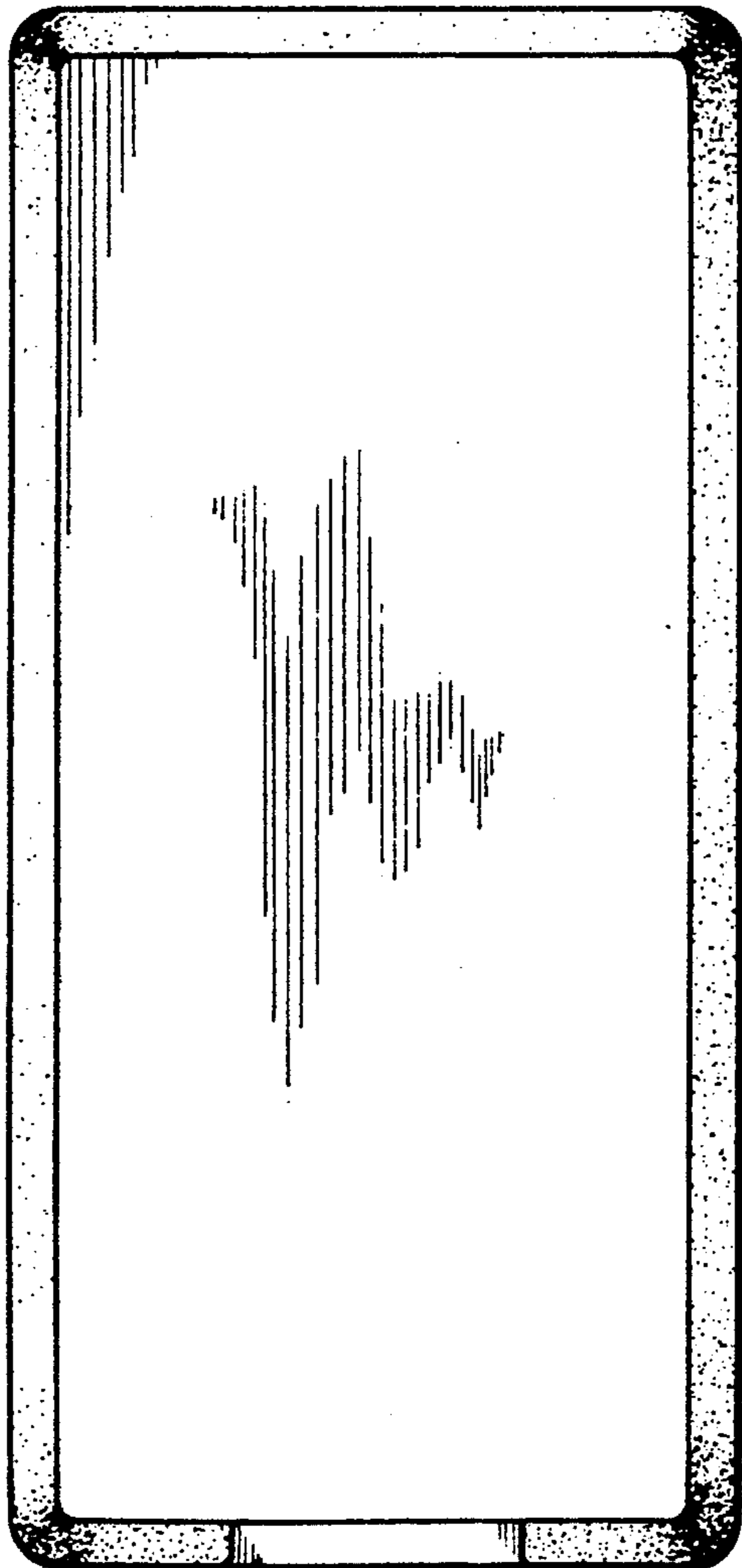
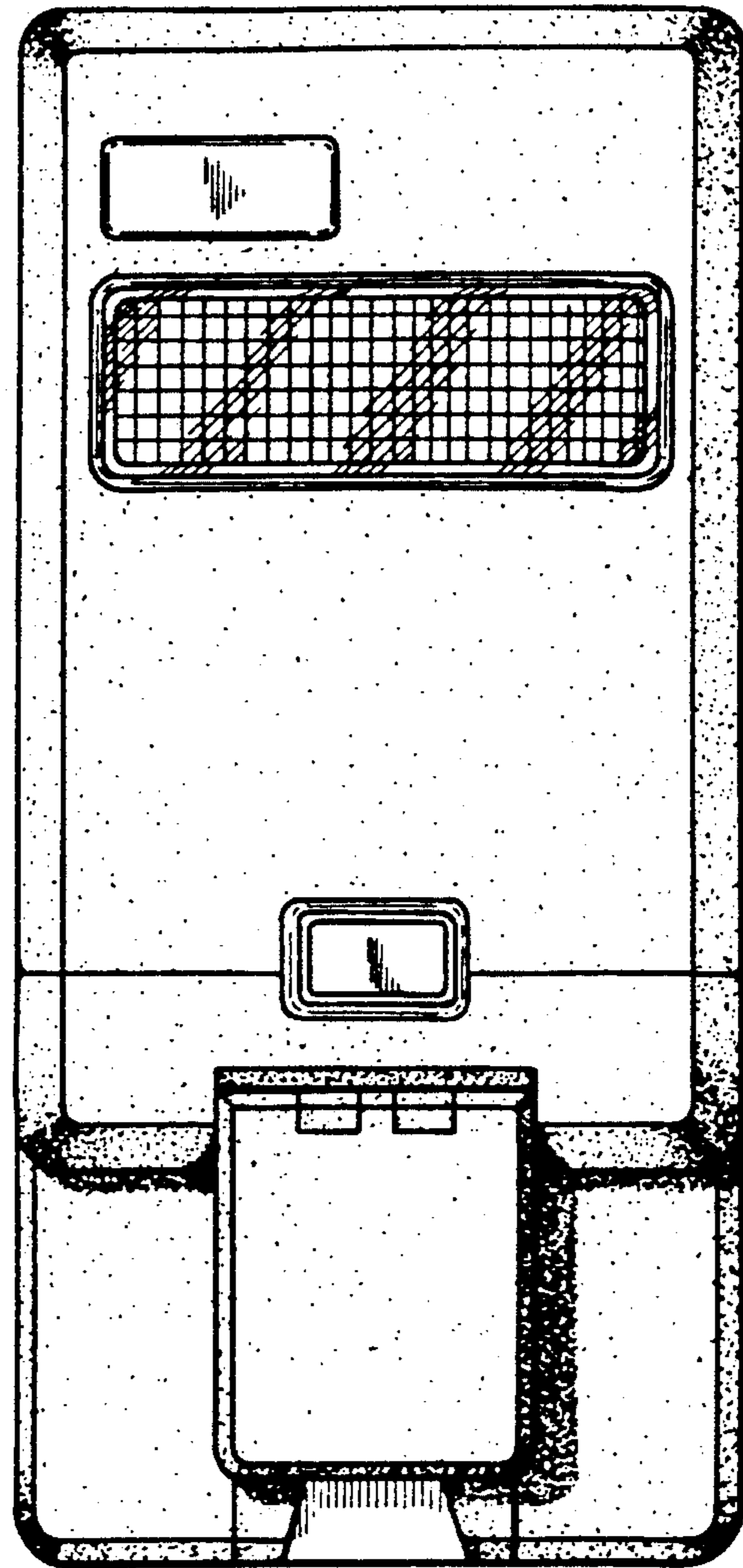


FIG-7

FIG-8

