

[54] UNIPOLAR SPIRAL COIL ELECTRODE FOR MONITORING THE ELECTRICAL ACTIVITY OF THE BRAIN

[76] Inventors: James R. Doty, 1181 Kaluanui Rd., Honolulu, Hi. 96825; Thomas W. Furlow, Jr., P.O. Box 6367, Annapolis, Md. 21401

[\*\*] Term: 14 Years

[21] Appl. No.: 108,579

[22] Filed: Oct. 15, 1987

[52] U.S. Cl. .... D24/187

[58] Field of Search ..... D24/17, 8; 128/642, 128/640, 635, 721

[56] References Cited

U.S. PATENT DOCUMENTS

D. 245,513	8/1977	Kopel .....	D24/17
D. 300,175	3/1989	Bar-Yam .....	D24/17
3,737,579	6/1973	Bolduc .....	128/785
3,750,650	8/1973	Ruttgers .....	128/642
3,826,244	7/1974	Salcman et al. ....	128/642
4,010,758	3/1977	Rockland et al. ....	128/785
4,080,961	3/1978	Eaton .....	128/642
4,090,752	5/1978	Long .....	128/641
4,157,710	6/1979	Abitbol .....	128/642

4,281,659	8/1981	Farrar et al. ....	128/642
4,299,232	11/1981	Zilianti .....	128/643
4,321,931	3/1982	Hon .....	128/642
4,355,642	10/1982	Alferness .....	128/642

FOREIGN PATENT DOCUMENTS

2749048	9/1979	Fed. Rep. of Germany .....	128/642
2830412	1/1980	Fed. Rep. of Germany .....	128/642

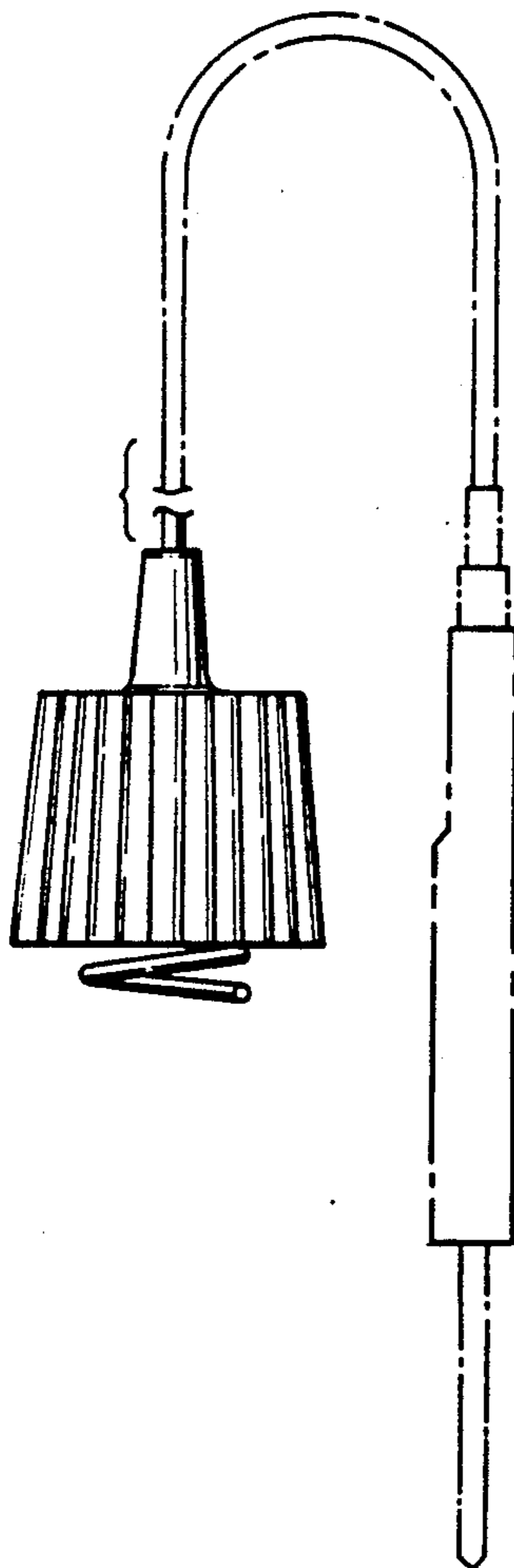
Primary Examiner—Stella Reid  
Attorney, Agent, or Firm—Banner, Birch, McKie & Beckett

[57] CLAIM

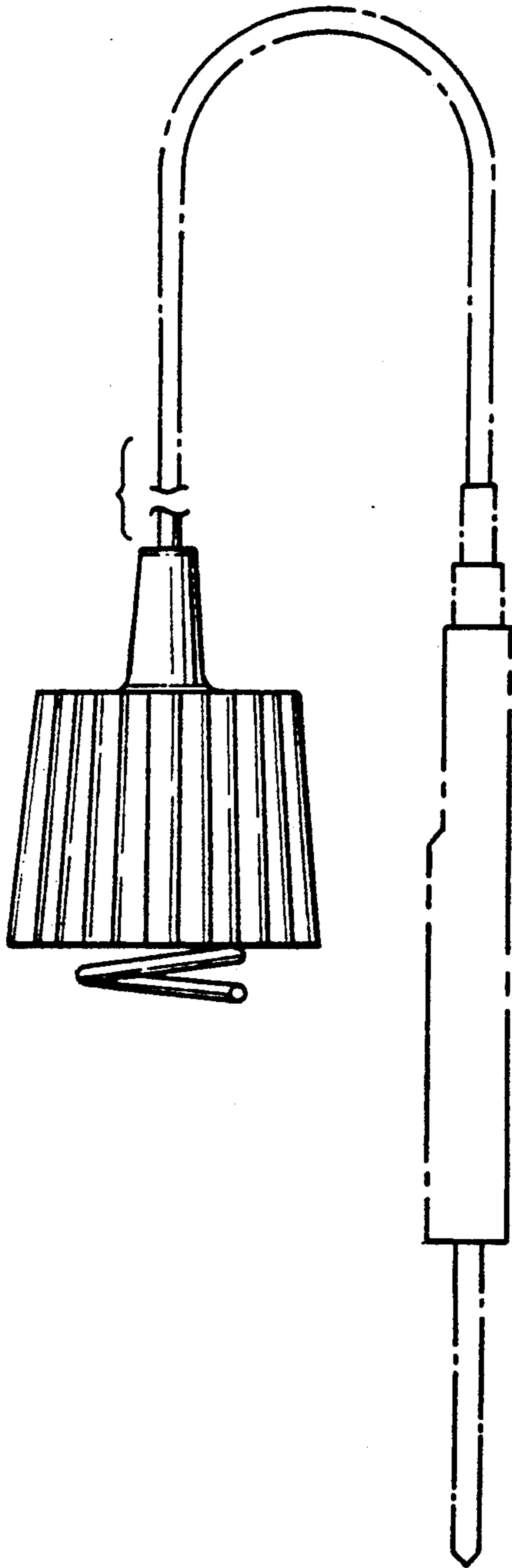
The ornamental design for a unipolar spiral coil electrode for monitoring the electrical activity of the brain, as shown and described.

DESCRIPTION

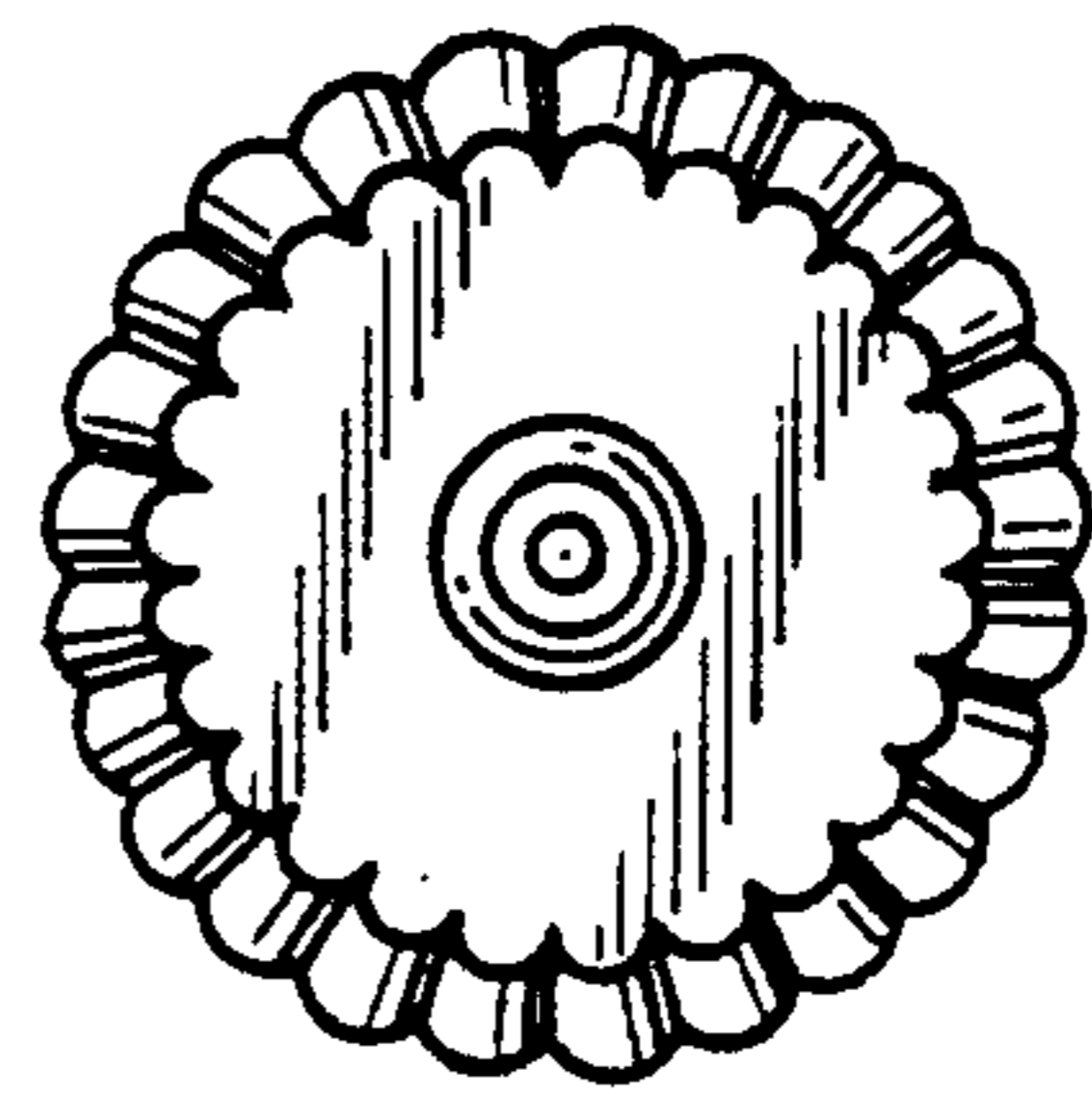
FIG. 1 is a side elevational view of a unipolar spiral coil electrode for monitoring the electrical activity of the brain, showing our new design, the broken line showing is for illustrative purposes only and forms no part of the claimed design; FIG. 2 is a top plan view thereof; and FIG. 3 is a bottom plan view thereof. All undisclosed sides of the article are identical to that shown in FIG. 1.



**FIG. 1**



**FIG. 2**



**FIG. 3**

