

[54] TRIPLE BAFFLE TILE FOR FIXED HEATER FOR OIL REFINERIES

[75] Inventors: Martin F. Brennan, Calumet City; Ronald L. Cutshall, Chicago Heights; Frank L. Groenewold, South Holland, all of Ill.

[73] Assignee: Amoco Corporation, Chicago, Ill.

[**] Term: 14 Years

[21] Appl. No.: 208,395

[22] Filed: Jun. 17, 1988

[52] U.S. Cl. D23/393; D25/138

[58] Field of Search D23/393, 386, 387; D25/113, 138, 114, 152, 155; 52/180, 177, 738, 302, 333, 663; 126/147, 151, 148

[56] References Cited

U.S. PATENT DOCUMENTS

58,660	8/1921	Clouser et al.	D25/113
D. 253,968	1/1980	Bogan	D25/155
D. 256,158	7/1980	Ward	D23/393
D. 261,031	9/1981	Ward	D23/393
D. 273,998	5/1984	Ballantine	D25/155
2,706,109	4/1955	Ödman	D25/155
3,498,015	3/1970	Seaburg et al.	52/302
4,506,483	3/1985	Phalen, Jr.	D25/138
4,565,044	1/1986	Takahara	52/302

FOREIGN PATENT DOCUMENTS

2136472	9/1984	United Kingdom	52/177
2143556	2/1985	United Kingdom	52/177

OTHER PUBLICATIONS

Murray Tile Co., Heavy Duty Acid Resistant Floor Brick and Quarry Tile Booklet 874, p. 1, Conventional Grooved Back for Tiles, (A), left middle of page.

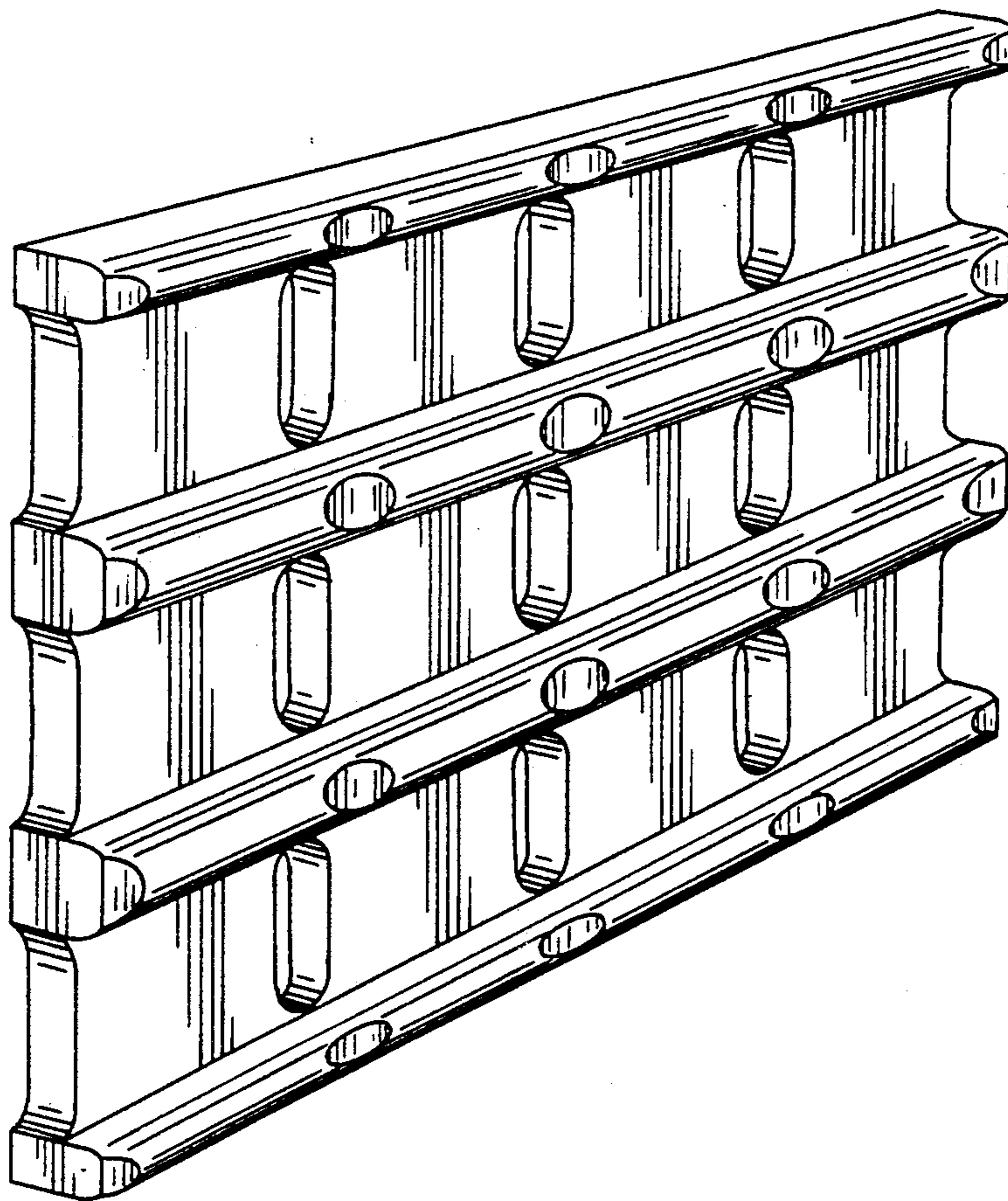
Primary Examiner—John M. Gandy
Assistant Examiner—Lisa Lichtenstein
Attorney, Agent, or Firm—Thomas W. Tolpin; William H. Magidson; Ralph C. Medhurst

[57] CLAIM

The ornamental design for a triple baffle tile for fixed heater for oil refineries, as shown.

DESCRIPTION

FIG. 1 is a front and left side perspective view of a triple baffle tile for fixed heater for oil refineries, showing our new design;
FIG. 2 is a front elevation view thereof;
FIG. 3 is a top plan view thereof;
FIG. 4 is a rear elevation view thereof;
FIG. 5 is a bottom plan view thereof;
FIG. 6 is a left side elevation view thereof; and
FIG. 7 is a right side elevation view thereof.



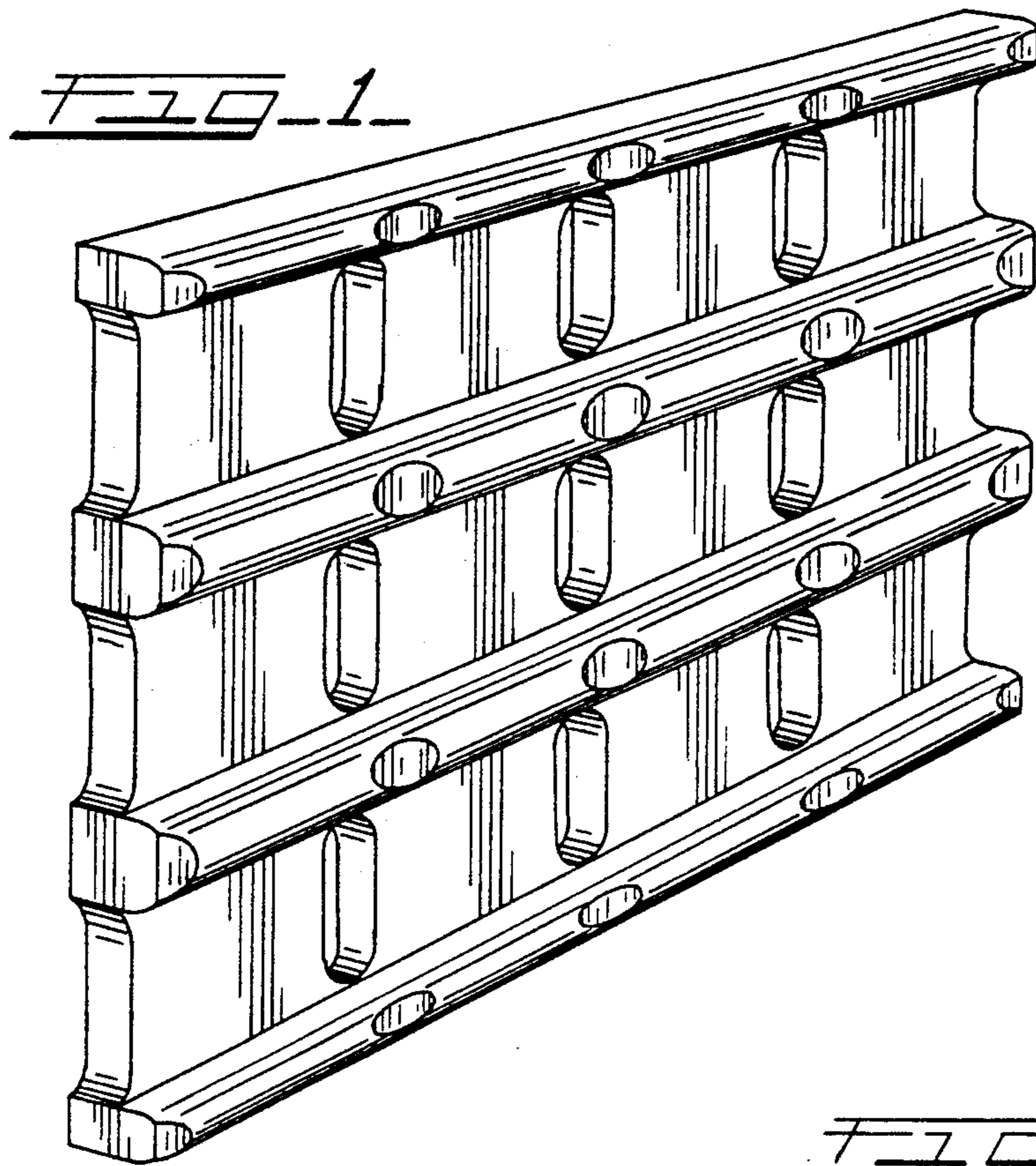


FIG. 3

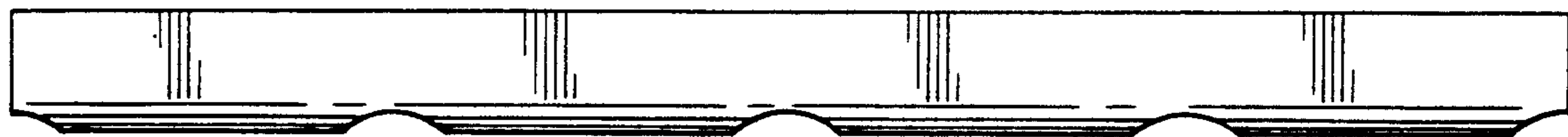


FIG. 2

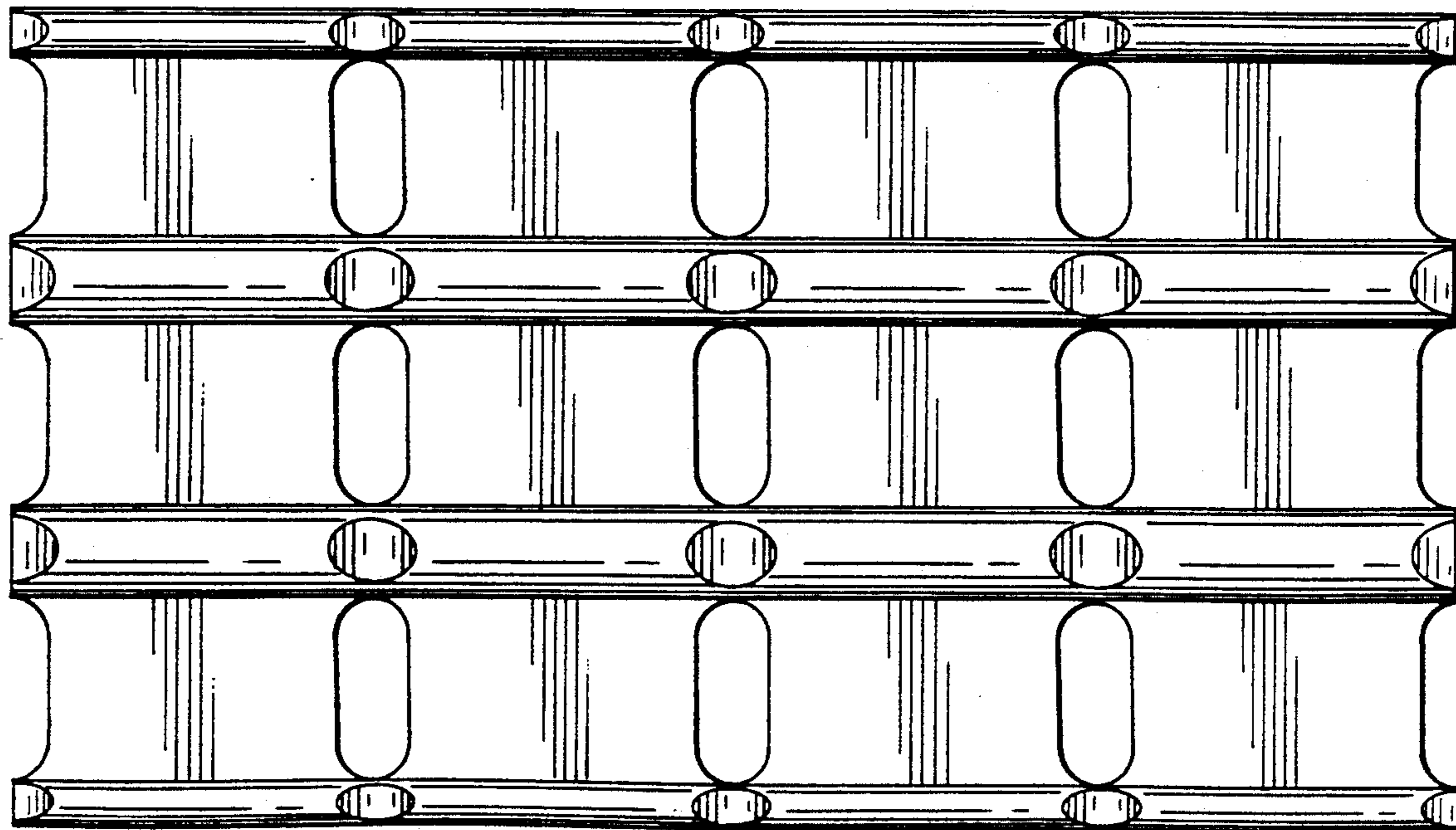


FIG. 4

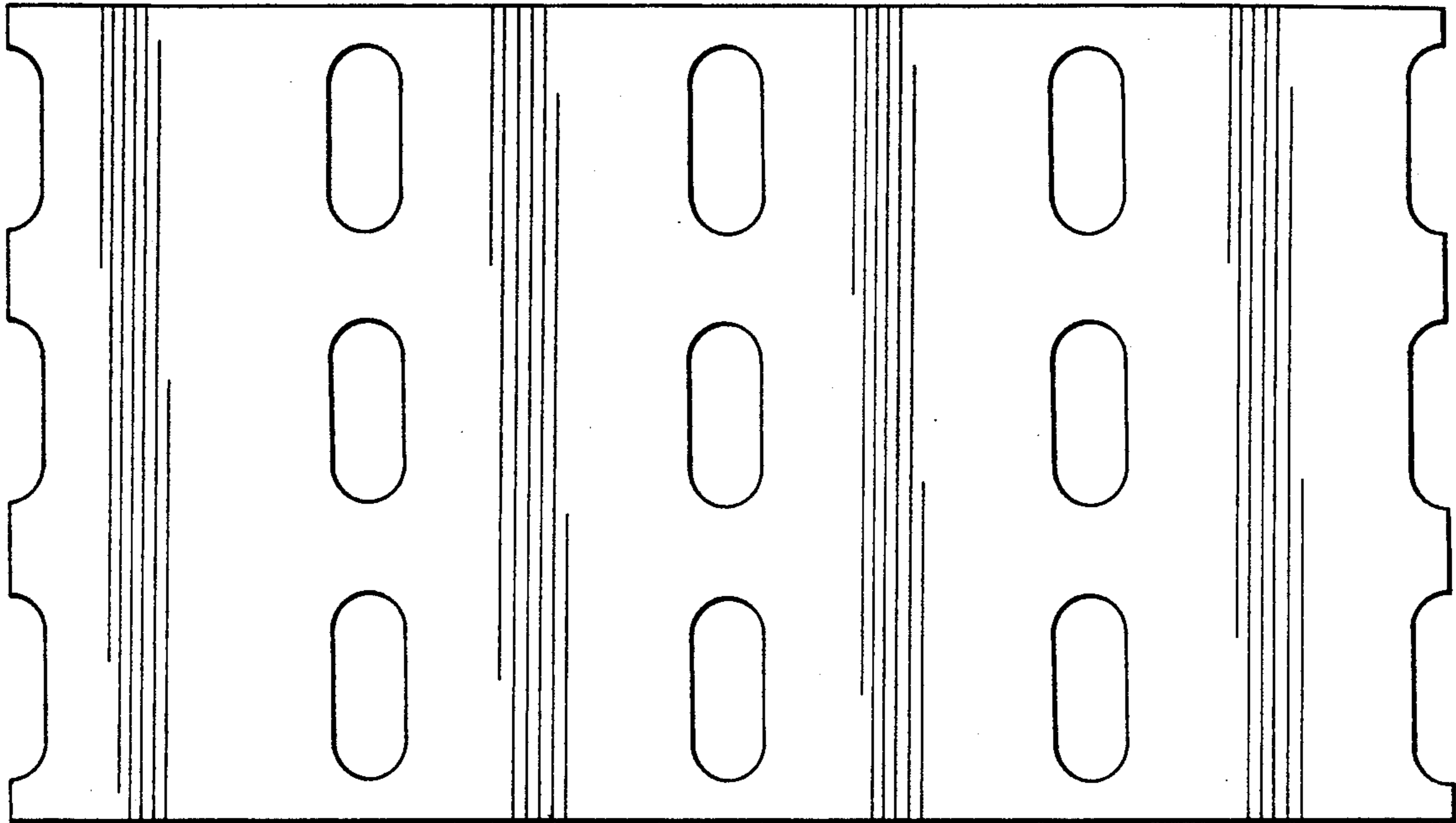


FIG. 5



FIG. 6

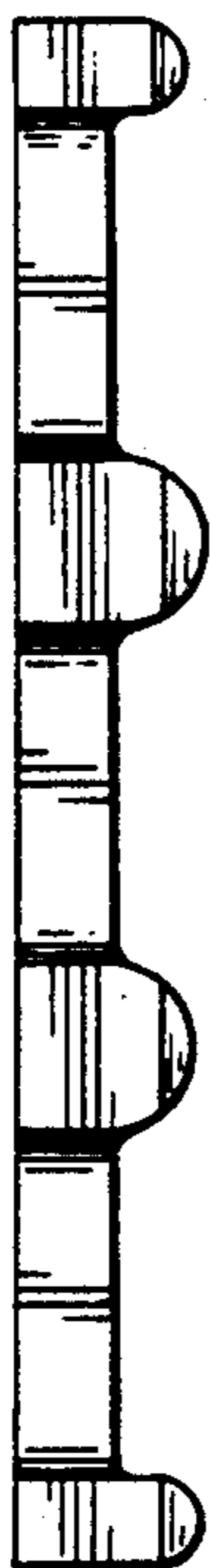


FIG. 7

